



US00D988433S

(12) **United States Design Patent**
Brunet et al.

(10) **Patent No.:** **US D988,433 S**
(45) **Date of Patent:** **** Jun. 6, 2023**

(54) **CONSTRUCTION SET ELEMENT**

- (71) Applicant: **Mattel-MEGA Holdings (US), LLC**,
El Segundo, CA (US)
- (72) Inventors: **Philippe Brunet**, Lachine (CA); **Benoit Vézina**, Montreal (CA); **Thierry Beauregard**, Boisbriand (CA)
- (73) Assignee: **Mattel-MEGA Holdings (US), LLC**,
El Segundo, CA (US)
- (**) Term: **15 Years**
- (21) Appl. No.: **29/776,446**
- (22) Filed: **Mar. 30, 2021**
- (51) **LOC (14) Cl.** **21-01**
- (52) **U.S. Cl.**
USPC **D21/615; D21/584**
- (58) **Field of Classification Search**
USPC D21/584, 615, 576, 592, 548, 578, 483;
D6/598; D11/158; D9/601, 605
CPC A63F 2003/0455; A63H 3/36; A63H 3/16
See application file for complete search history.

(56) **References Cited**

U.S. PATENT DOCUMENTS

D394,804 S *	6/1998	Sun	D21/434
6,558,225 B1	5/2003	Rehkemper et al.		
D494,643 S	8/2004	Bresciani et al.		
D495,764 S	9/2004	Bresciani et al.		
6,893,316 B2	5/2005	Maxwell et al.		
D562,412 S	2/2008	Tremblay et al.		
7,658,662 B2	2/2010	Tremblay et al.		
7,708,615 B2	5/2010	Munch		
D640,752 S *	6/2011	Ivanic	D21/615
D647,698 S	11/2011	Cally		

(Continued)

FOREIGN PATENT DOCUMENTS

CN	108635884	10/2018
CN	305063232	* 3/2019

(Continued)

OTHER PUBLICATIONS

Walmart Website, Mega Bloks Jammy Stackers T-Rex, Earliest Comment Date: Sep. 21, 2021 [Website Visited Jan. 23, 2023] Available on the Internet URL <https://www.walmart.com/ip/MEGA-BLOKS-Jammy-Stackers-T-Rex-Toy-Block-Building-Set-Toddlers-1-3/191462047> (Year: 2021).*

(Continued)

Primary Examiner — S. Bryan Reinholdt, Jr.

Assistant Examiner — James T Tyree

(74) *Attorney, Agent, or Firm* — Plumsea Law Group, LLC

(57) **CLAIM**

The ornamental design for a construction set element, as shown and described.

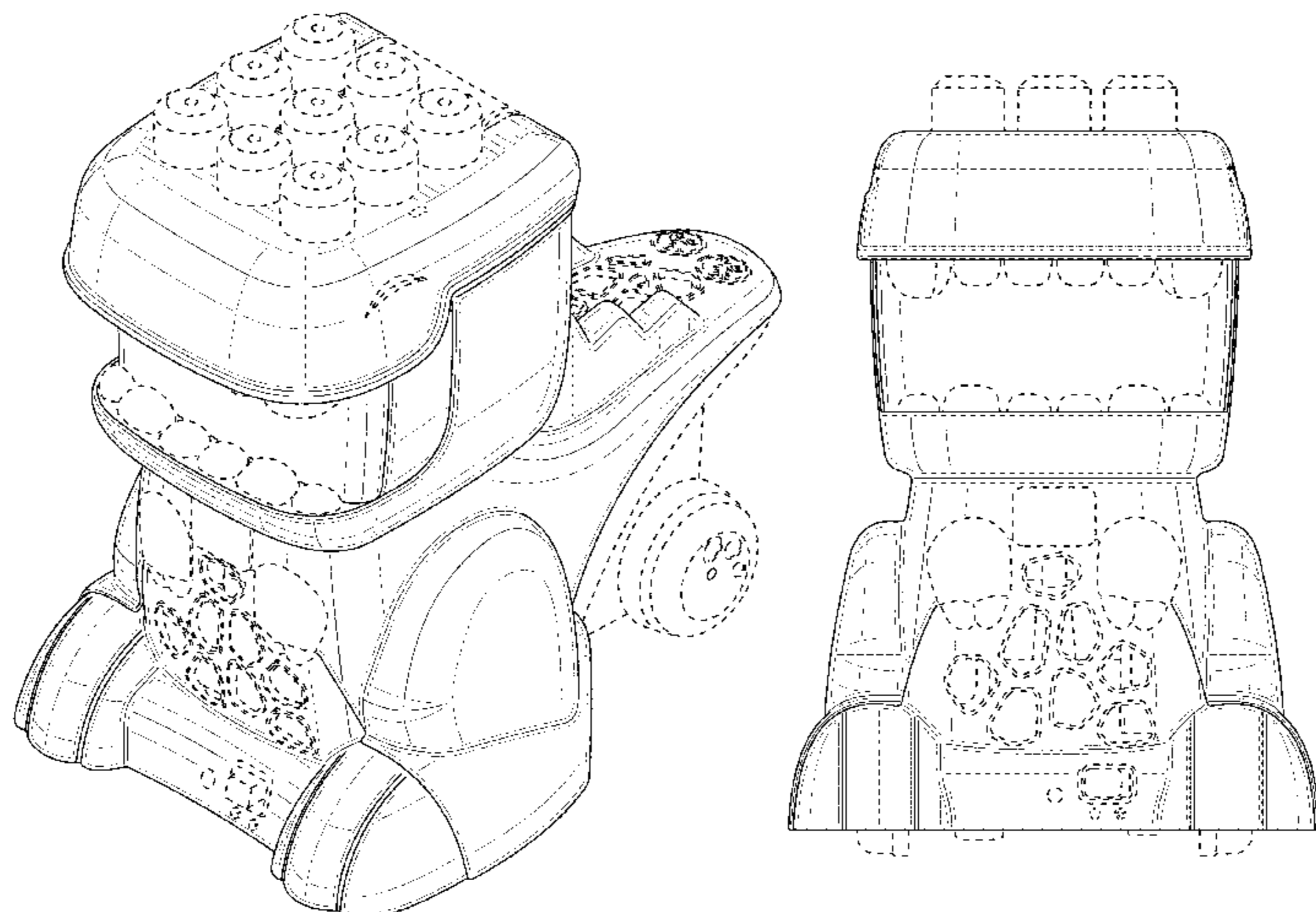
DESCRIPTION

FIG. 1 is a top front isometric perspective view of a construction set element showing our new design; FIG. 2 is a front elevational view thereof; FIG. 3 is a rear elevational view thereof; FIG. 4 is a side elevational view thereof; FIG. 5 is an opposite side elevational view thereof; FIG. 6 is a top plan view thereof; and, FIG. 7 is a bottom plan view thereof.

The evenly-spaced broken lines and unshaded areas in the figures illustrate portions of the article's appearance that form no part of the claimed design. The long and short broken lines define bounds of the claimed design and form no part thereof.

The shading is provided merely to represent contours of the design and does not connote the character of the surfaces such as any specific texture, material, gloss, translucence, transparency, surface treatment, or surface decoration.

1 Claim, 7 Drawing Sheets



(56)

References Cited

U.S. PATENT DOCUMENTS

D647,699 S 11/2011 Cally
 8,079,890 B2 12/2011 Seligman
 D687,224 S 8/2013 Lacroix
 D687,910 S 8/2013 Provencher et al.
 D688,330 S 8/2013 Provencher et al.
 D688,332 S 8/2013 Stosiak et al.
 D688,333 S 8/2013 Stosiak et al.
 D688,334 S 8/2013 Stosiak et al.
 D688,335 S 8/2013 Stosiak et al.
 D688,336 S 8/2013 Provencher et al.
 D700,248 S 2/2014 Proulx et al.
 D707,554 S 6/2014 Lavoie
 9,016,902 B1 4/2015 Lin et al.
 D750,485 S 3/2016 Lavoie
 D751,152 S 3/2016 Pestel et al.
 D751,153 S 3/2016 Lacroix et al.
 D751,154 S 3/2016 Oligny-Lemieux et al.
 D753,774 S 4/2016 Proulx et al.
 9,457,287 B1 10/2016 Lin et al.
 D786,985 S 5/2017 Ramiere et al.
 D789,459 S 6/2017 Ramiere et al.
 D790,395 S 6/2017 Beauregard et al.
 D799,985 S * 10/2017 Johnson D10/6
 9,841,180 B1 12/2017 Lin et al.
 D829,127 S 9/2018 Beauregard et al.
 D834,106 S 11/2018 Pestel
 D837,311 S 1/2019 Vezina et al.
 D842,396 S 3/2019 Vezina et al.
 D842,938 S 3/2019 Vezina et al.
 D846,433 S 4/2019 Charria et al.
 D848,542 S 5/2019 Pestel
 D887,893 S 6/2020 Beauregard et al.

D897,456 S 9/2020 Vezina
 D897,457 S 9/2020 Vezina
 D900,942 S * 11/2020 Chen D21/615
 D950,651 S * 5/2022 Chen D21/401
 2004/0136186 A1 7/2004 Hsu
 2007/0270073 A1 * 11/2007 Thai A63H 33/28
 446/15
 2013/0109268 A1 5/2013 Lin
 2016/0325200 A1 11/2016 Lu
 2019/0232185 A1 8/2019 Lin et al.

FOREIGN PATENT DOCUMENTS

CN 305516775 * 12/2019
 KR 20150054600 A 5/2015
 WO 2020007262 A1 1/2020
 WO 2020062927 A1 4/2020

OTHER PUBLICATIONS

Target Website, The Learning Journey—Dino Bot, No Date Available [Website Visited Jan. 23, 2023] Available on the Internet URL <https://www.target.com/p/the-learning-journey-techno-gears-dino-bot-60-pcs/-/A-85725324> (Year: 2023).*

Amazon Website, Mega Bloks Dinosaur Toy, Earliest Available Date: Oct. 26, 2021 [Website Visited Jan. 23, 2023] Available on the Internet URL <https://www.amazon.com//dp/B08V3KT5Y1/> (Year: 2021).*

Mega Bloks Website, Mega Bloks T-Rex, No Available Date [Website Visited Jan. 23, 2023] Available on the Internet URL <https://shop.mattel.com/products/mega-bloks-jammy-stackers-t-rex-gyh14> (Year: 2023).*

* cited by examiner

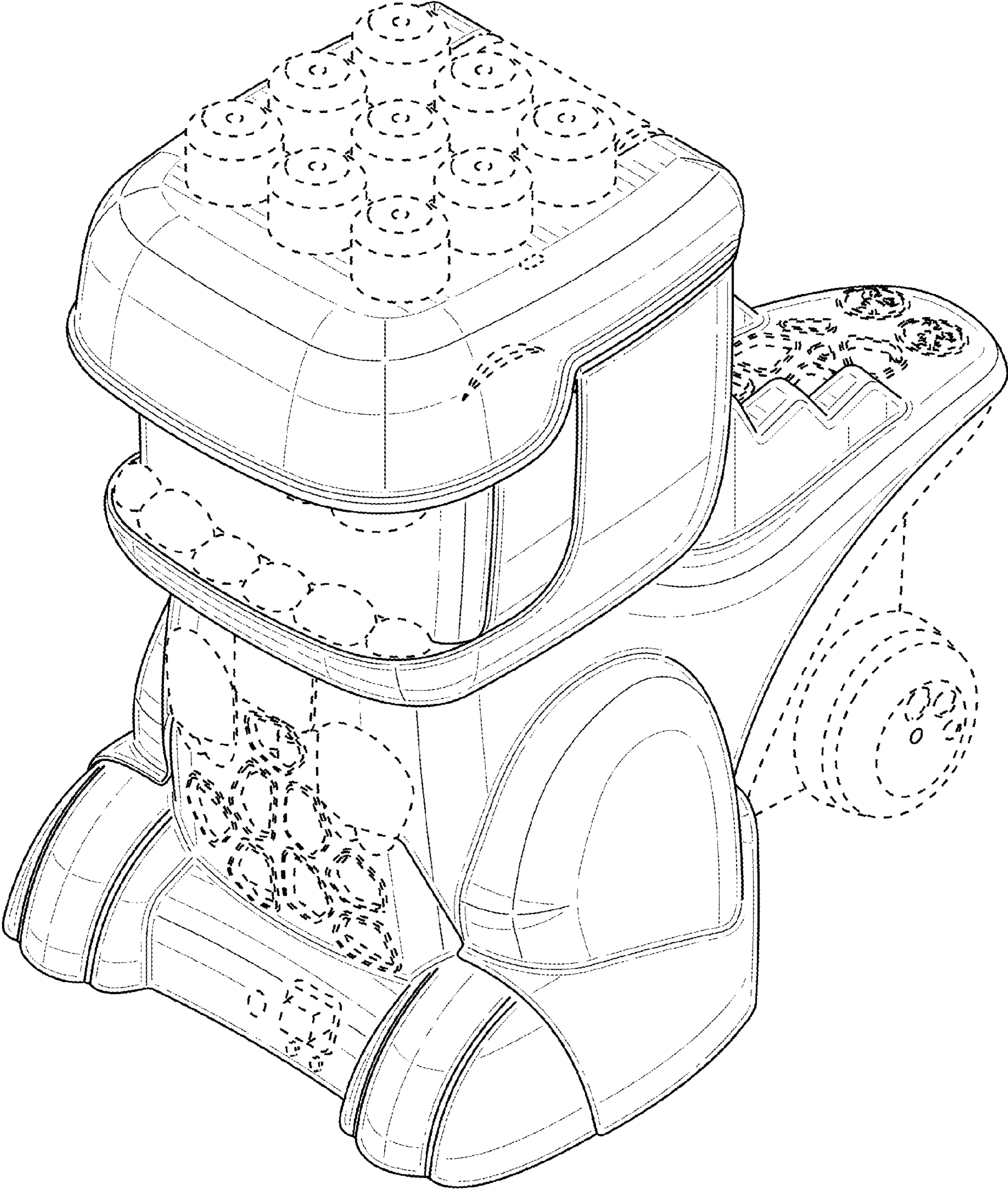


FIG. 1

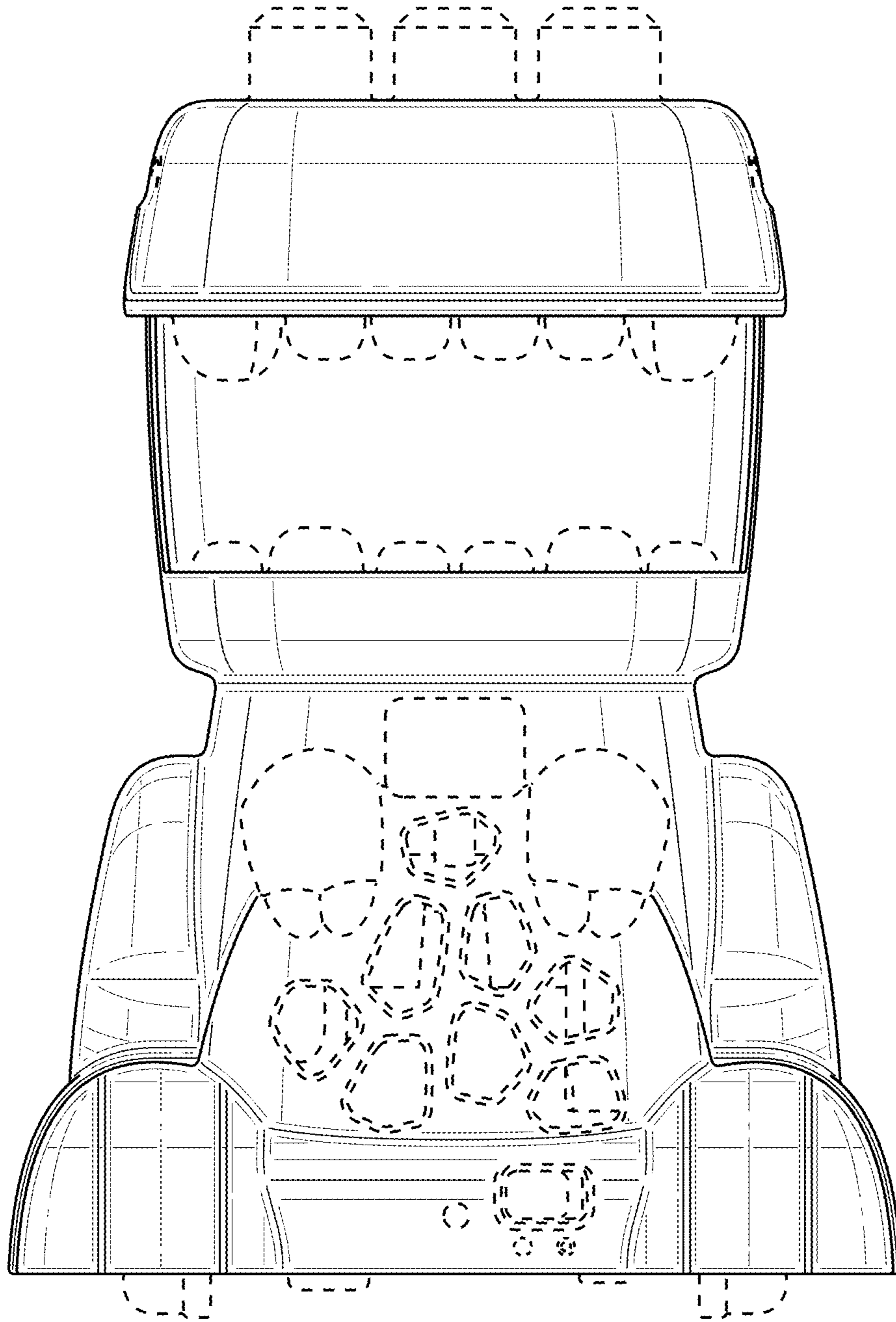


FIG. 2

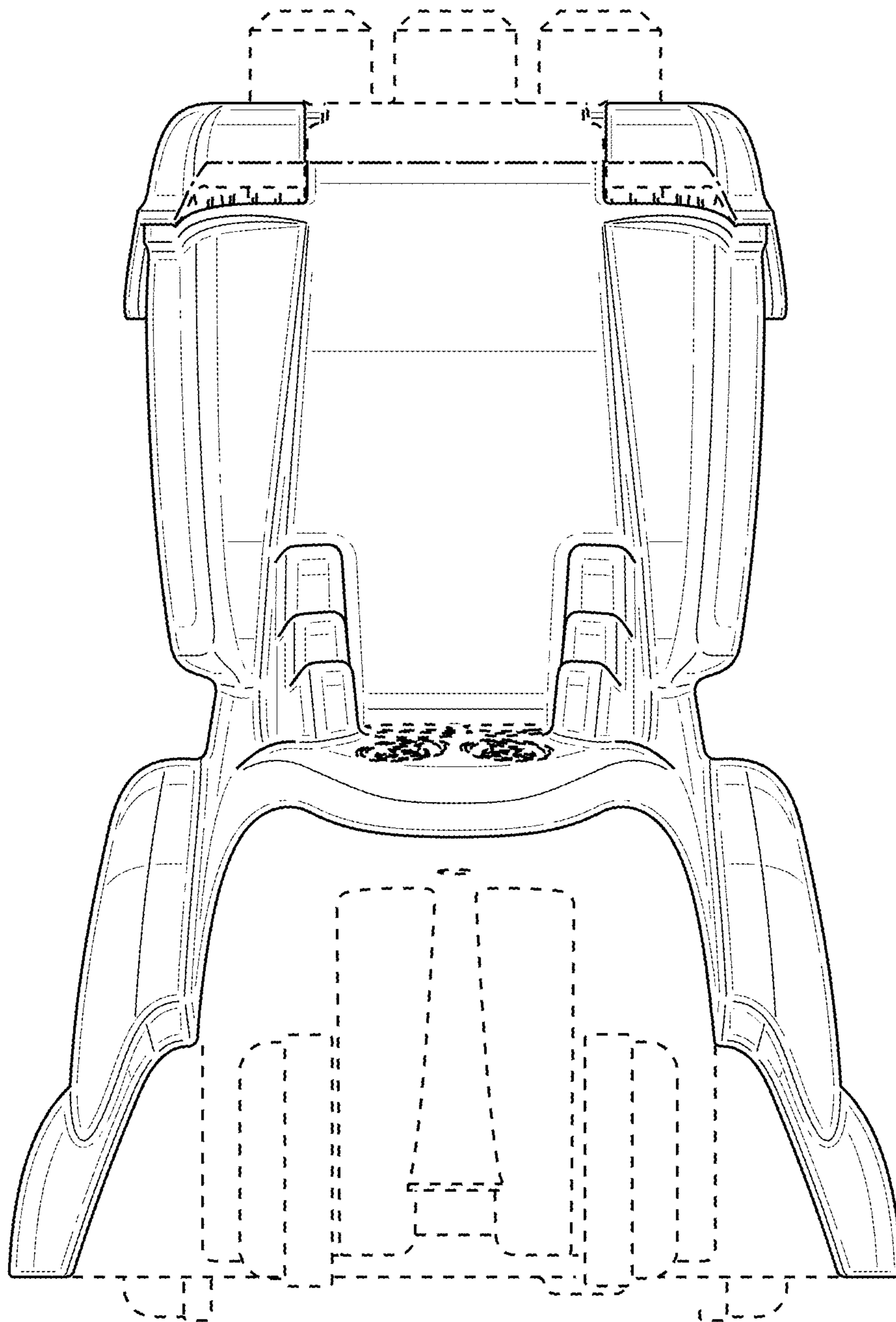


FIG. 3

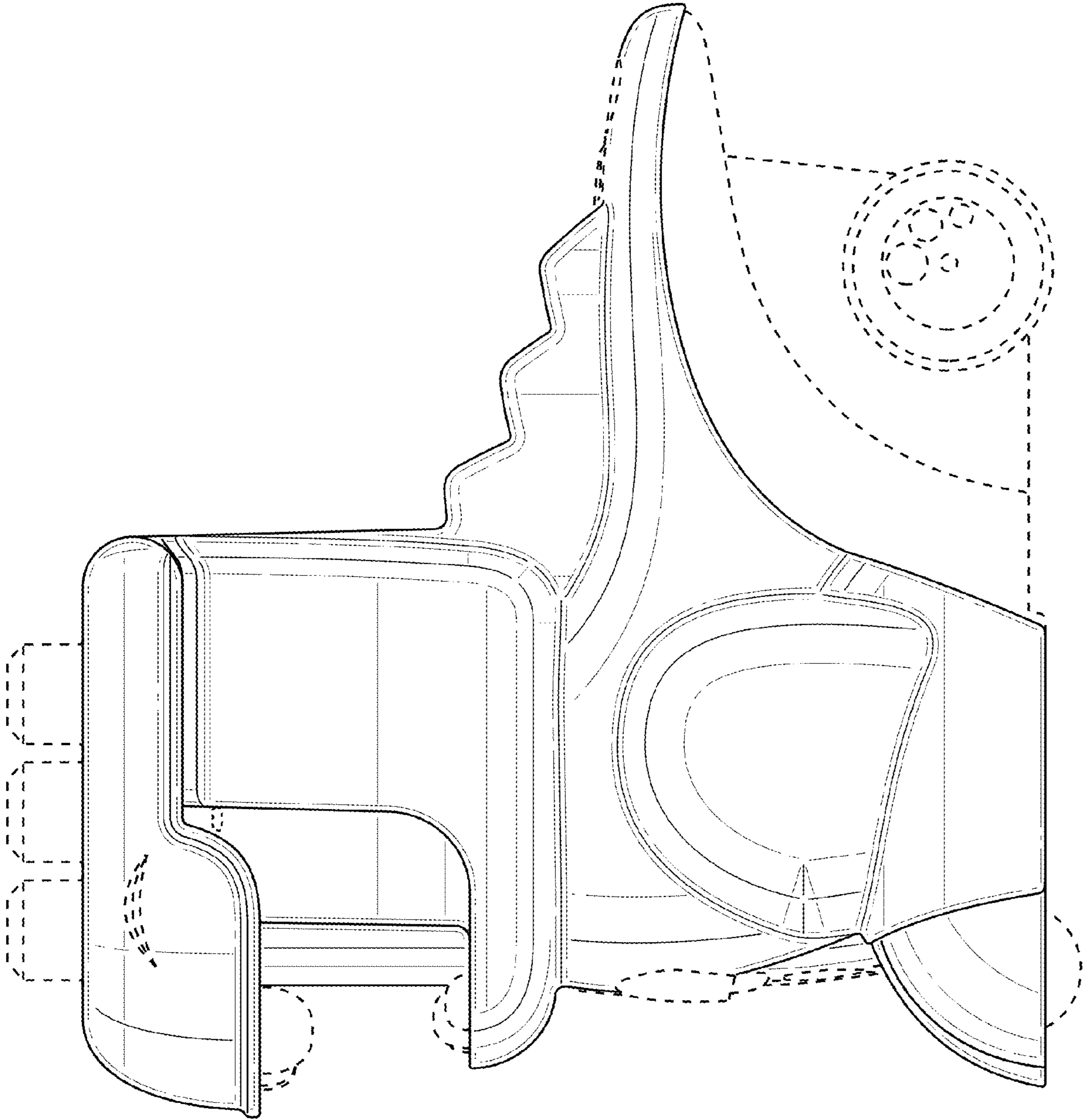


FIG. 4

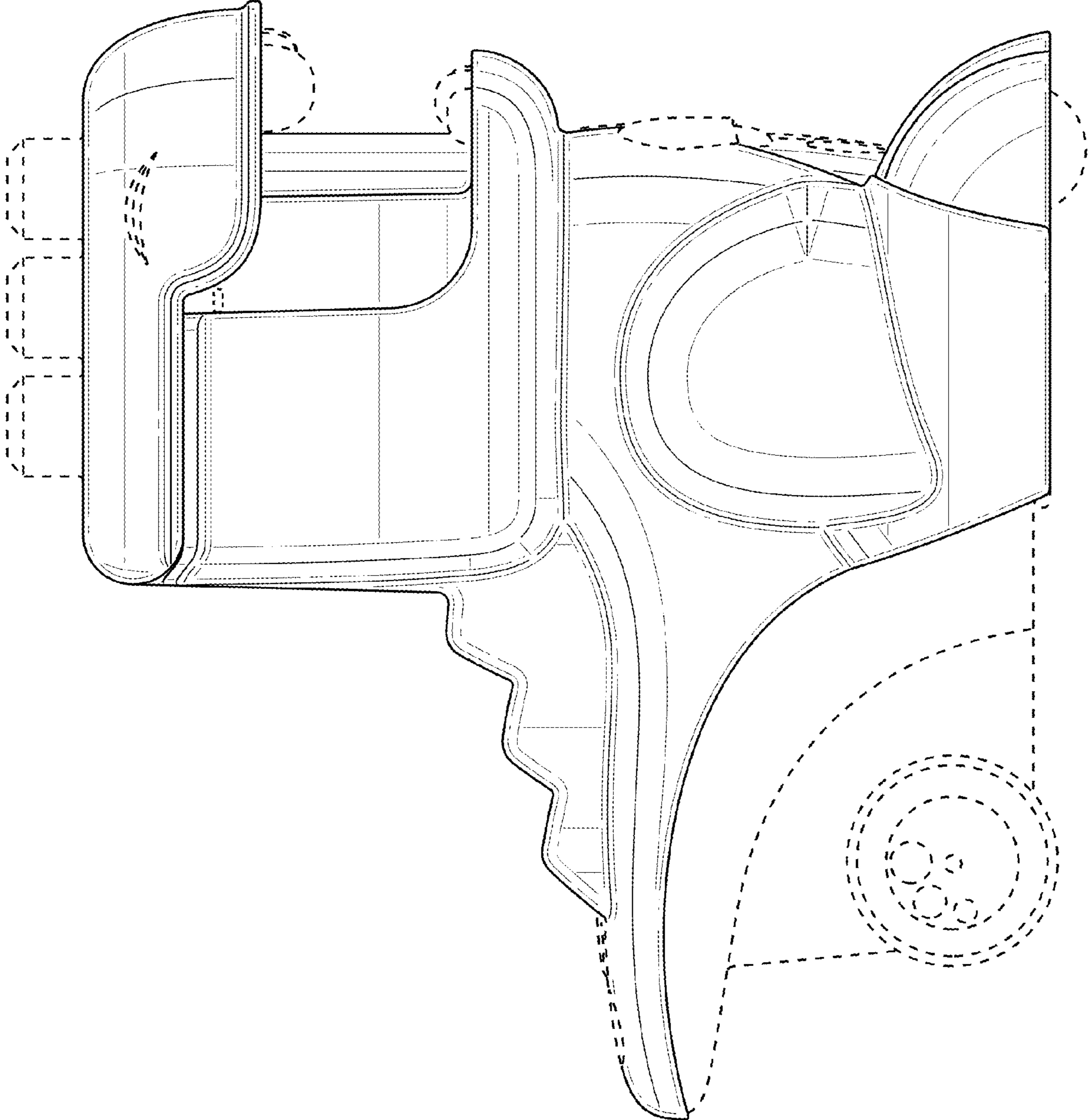


FIG. 5

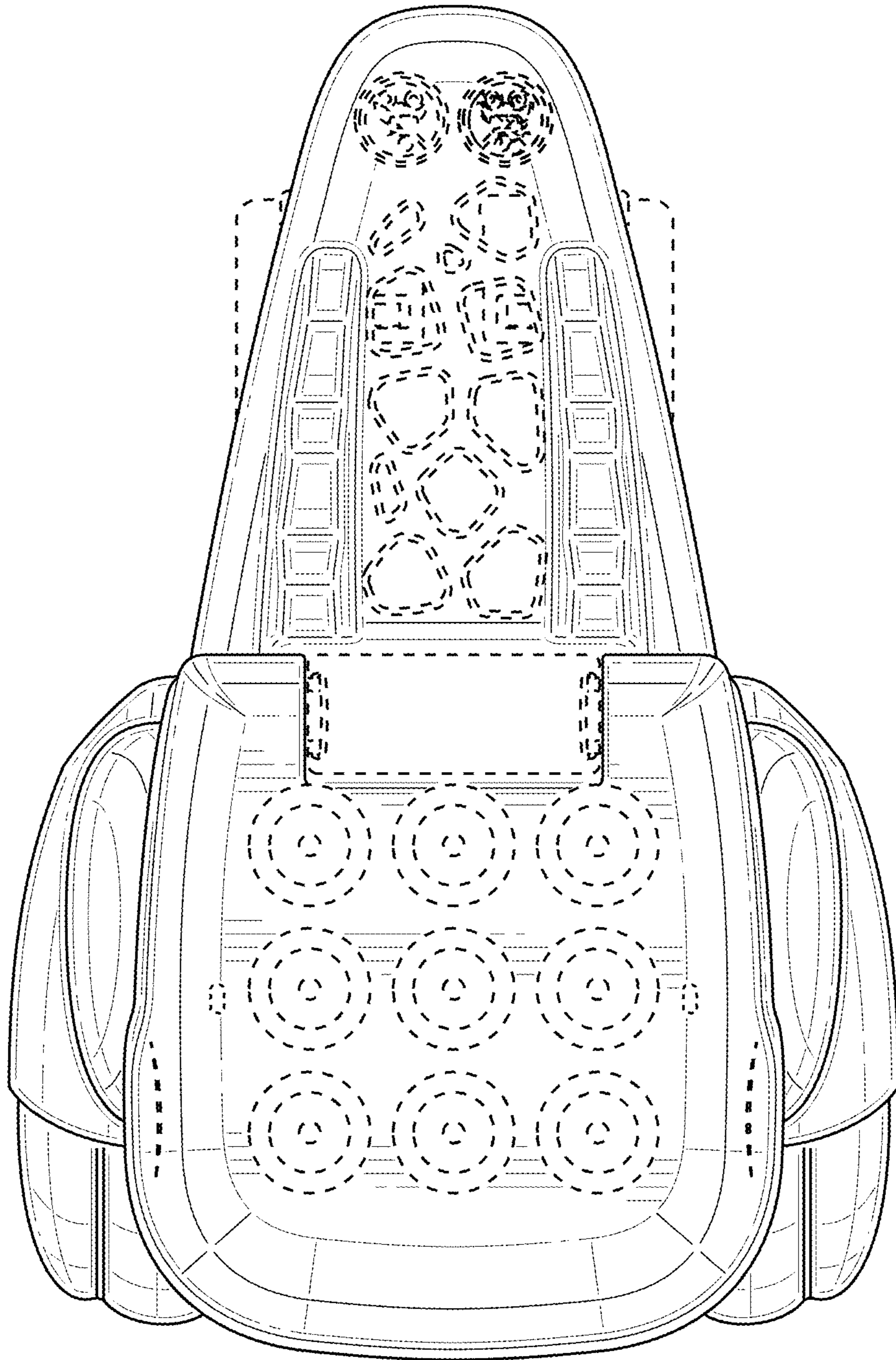


FIG. 6

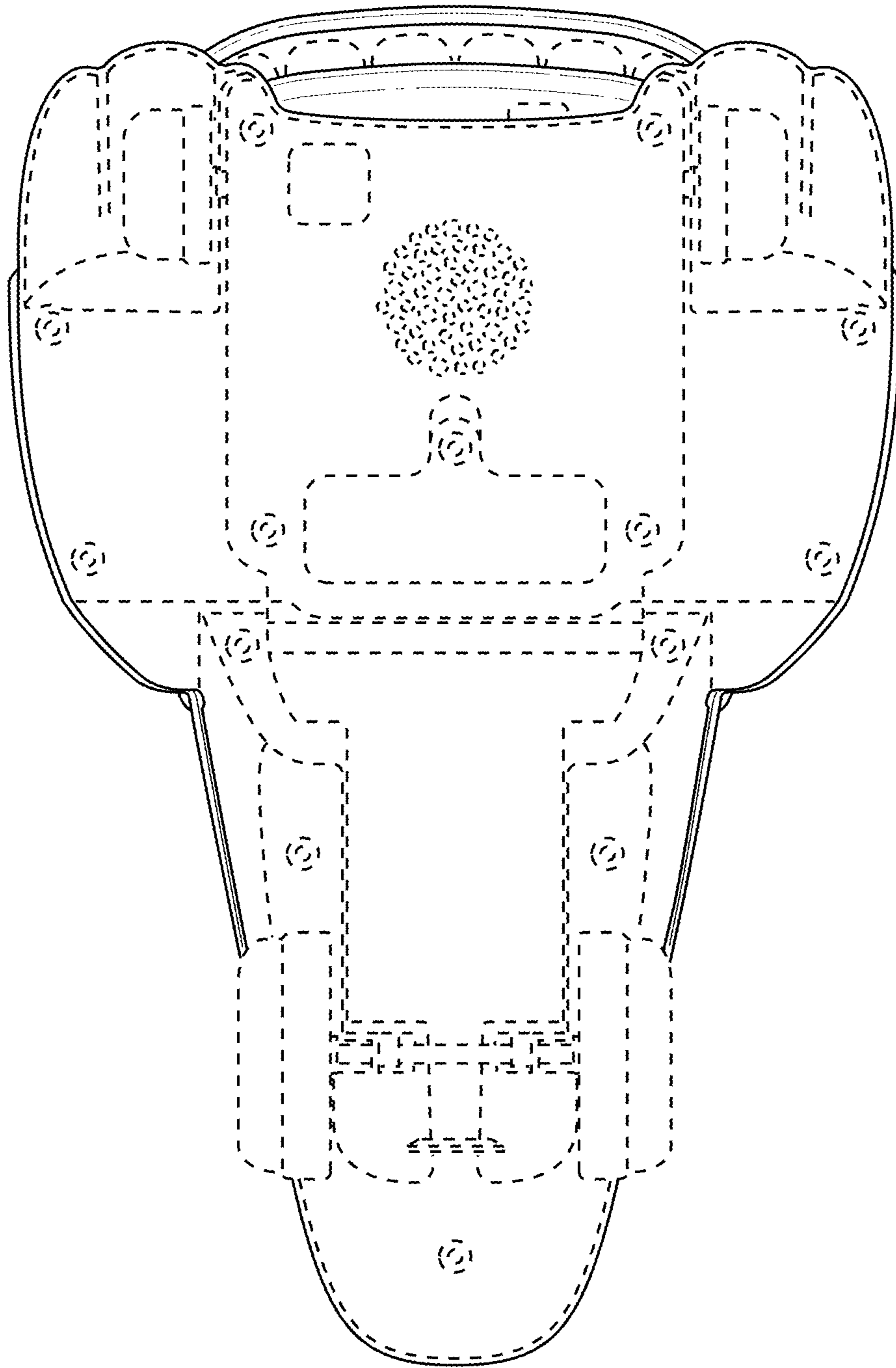


FIG. 7