



US00D988431S

(12) **United States Design Patent**  
**Cai**

(10) **Patent No.:** **US D988,431 S**

(45) **Date of Patent:** **\*\* Jun. 6, 2023**

(54) **TOY ASSEMBLY**

D721,771 S \* 1/2015 Nakano ..... D15/199  
D764,605 S \* 8/2016 Ueda ..... D21/578  
D917,634 S \* 4/2021 Fantino ..... D21/578

(71) Applicant: **SHANTOU KIDKICKING  
INTELLIGENT TECHNOLOGY  
CO., LTD.**, Shantou (CN)

**FOREIGN PATENT DOCUMENTS**

(72) Inventor: **Shaoxian Cai**, Guangdong (CN)

WO D222184-001 \* 6/2022

(\*\*) Term: **15 Years**

**OTHER PUBLICATIONS**

(21) Appl. No.: **35/514,822**

“Christmas Kids Toys Train Transform Toy” Nov. 5, 2022, site visited: Jan. 17, 2023, Amazon.com:https://www.amazon.com/Christmas-Kids-Toys-Train-Transform/dp/B0BBCGSW2R (Year: 2022).\*

(22) Filed: **Jun. 23, 2022**

(80) **Hague Agreement Data**

Int. Filing Date: **Jun. 23, 2022**  
Int. Reg. No.: **DM/222184**  
Int. Reg. Date: **Jun. 23, 2022**  
Int. Reg. Pub. Date: **Jul. 29, 2022**

\* cited by examiner

*Primary Examiner* — Michael C Stout  
*Assistant Examiner* — Melvin L Davis

(30) **Foreign Application Priority Data**

May 5, 2022 (CN) ..... 202230256622.6

(51) **LOC (14) Cl.** ..... **21-01**

(52) **U.S. Cl.**  
USPC ..... **D21/580**

(58) **Field of Classification Search**  
USPC ..... D21/578–583, 621–622  
CPC ..... A63H 33/003  
See application file for complete search history.

(57) **CLAIM**

The ornamental design for a toy assembly, as shown and described.

(56) **References Cited**

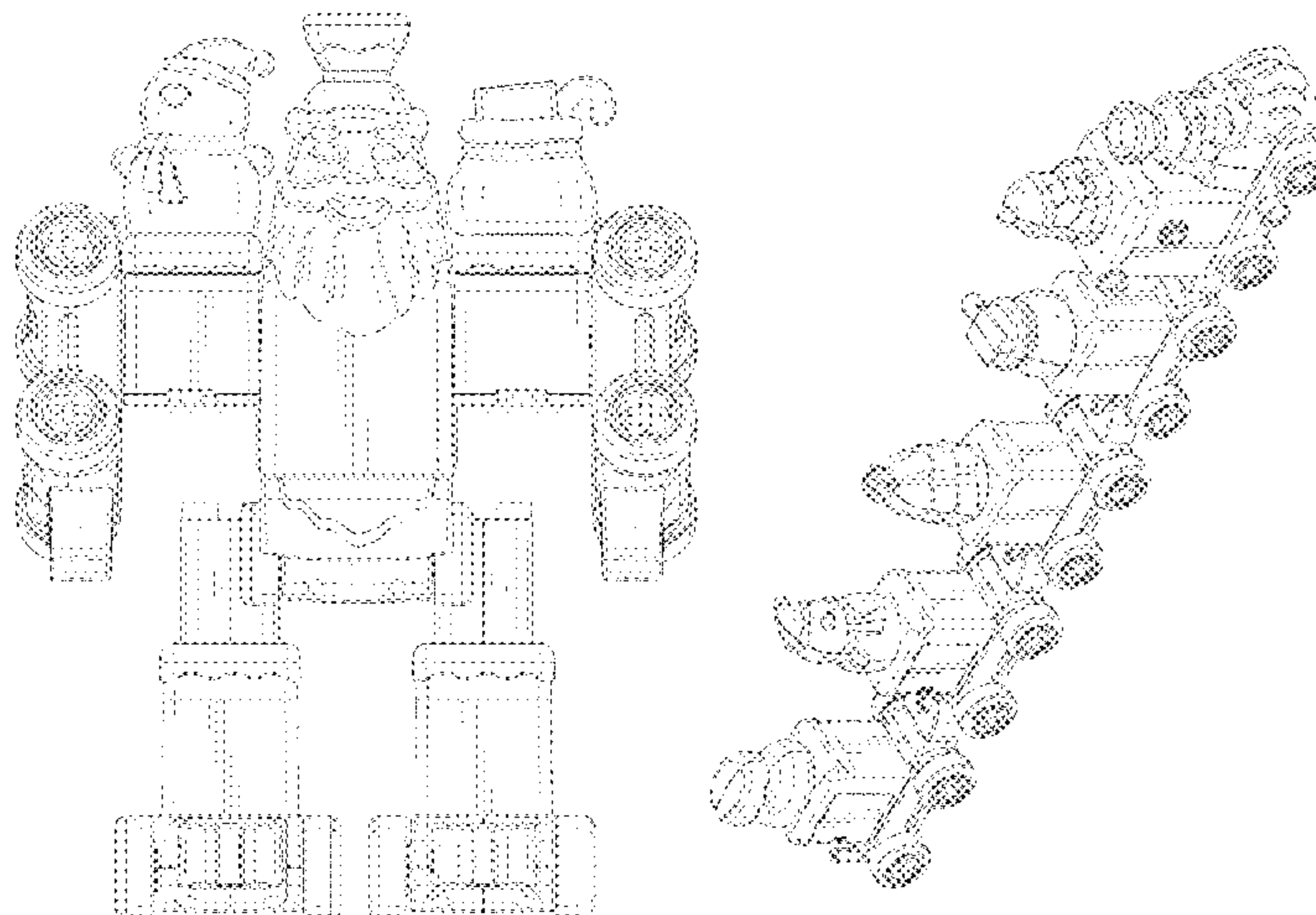
**U.S. PATENT DOCUMENTS**

D287,381 S \* 12/1986 Ohno ..... D21/578  
D295,060 S \* 4/1988 Ohno ..... D21/578  
D295,652 S \* 5/1988 Kitamura ..... D21/578  
D297,039 S \* 8/1988 Matsumoto ..... D21/578  
D301,261 S \* 5/1989 Ohno ..... D21/579  
D305,786 S \* 1/1990 Ohno ..... D21/579  
D305,918 S \* 2/1990 Shibukawa ..... D21/578  
D306,047 S \* 2/1990 Shinohara ..... D21/578  
D662,154 S \* 6/2012 Hara ..... D15/199  
D704,279 S \* 5/2014 Murayama ..... D21/578

**DESCRIPTION**

- 1.1: Front
- 1.2: Back
- 1.3: Left
- 1.4: Right
- 1.5: Top
- 1.6: Bottom
- 1.7: Perspective
- 1.8: Exploded
- 2.1: Front
- 2.2: Back
- 2.3: Left
- 2.4: Right
- 2.5: Top
- 2.6: Bottom
- 2.7: Perspective
- 2.8: Exploded

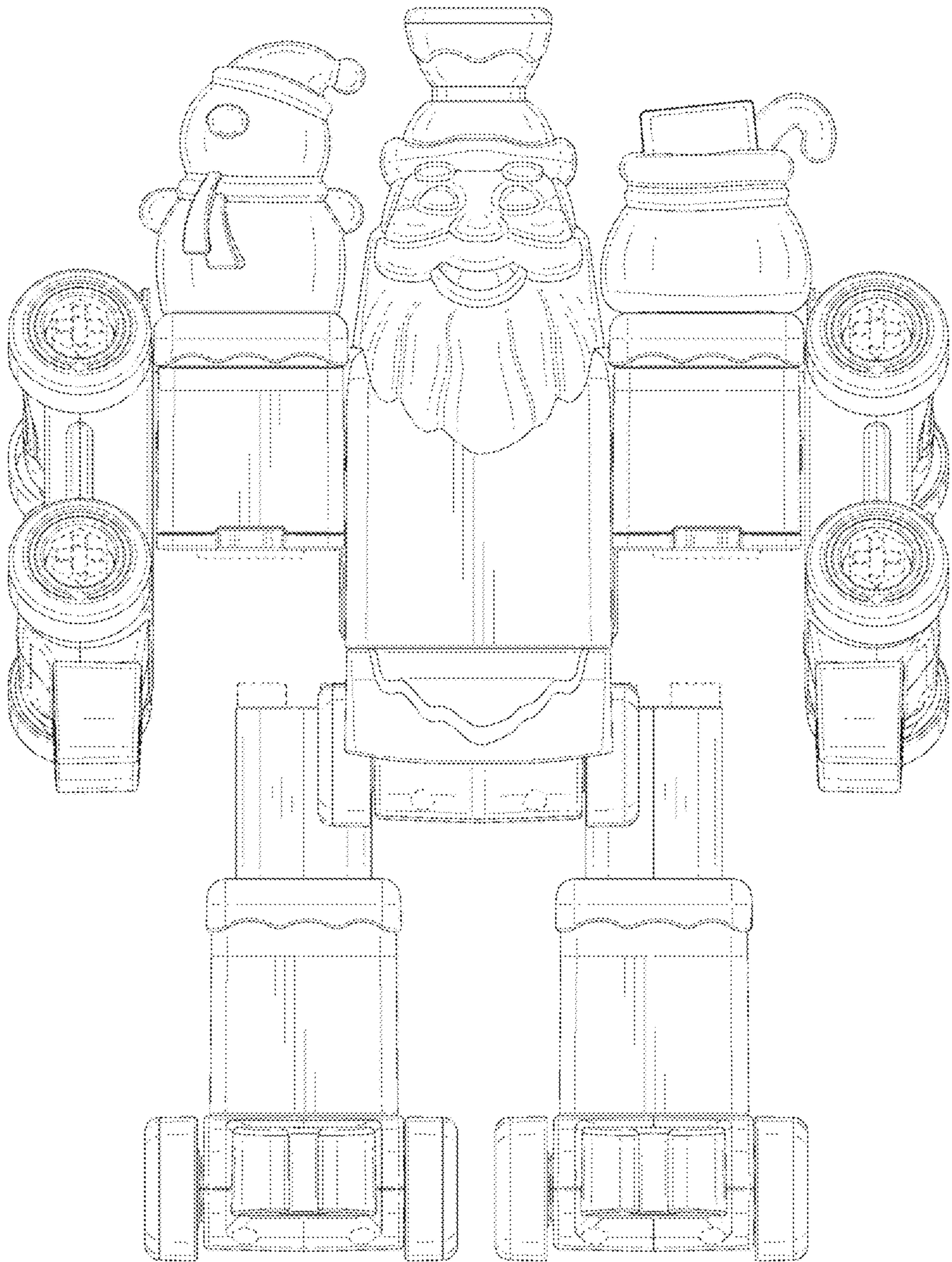
(Continued)



The broken line showing of the toy assembly is for the purpose of illustrating portions of the article that form no part of the claimed design.

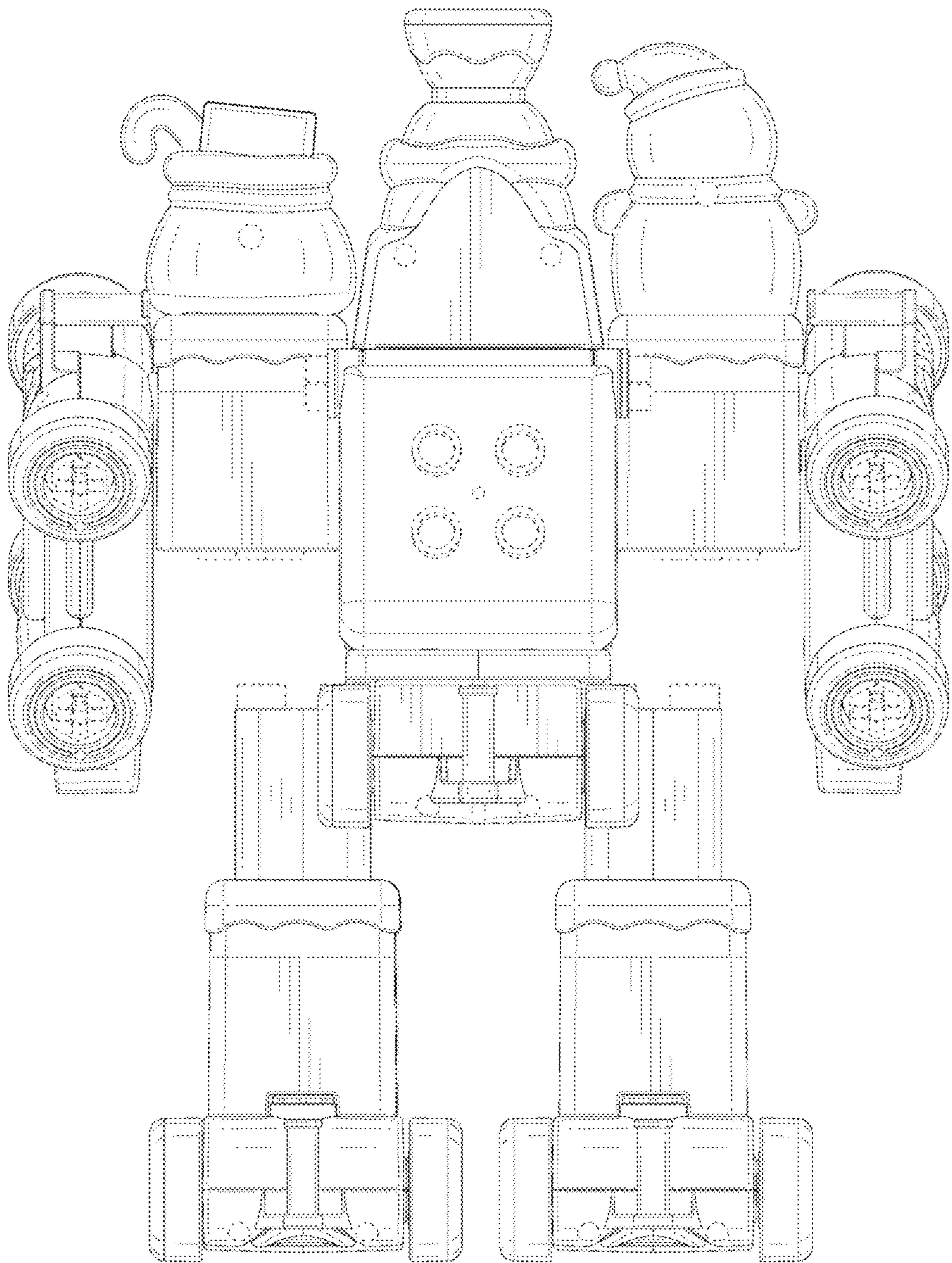
**1 Claim, 16 Drawing Sheets**

1.1

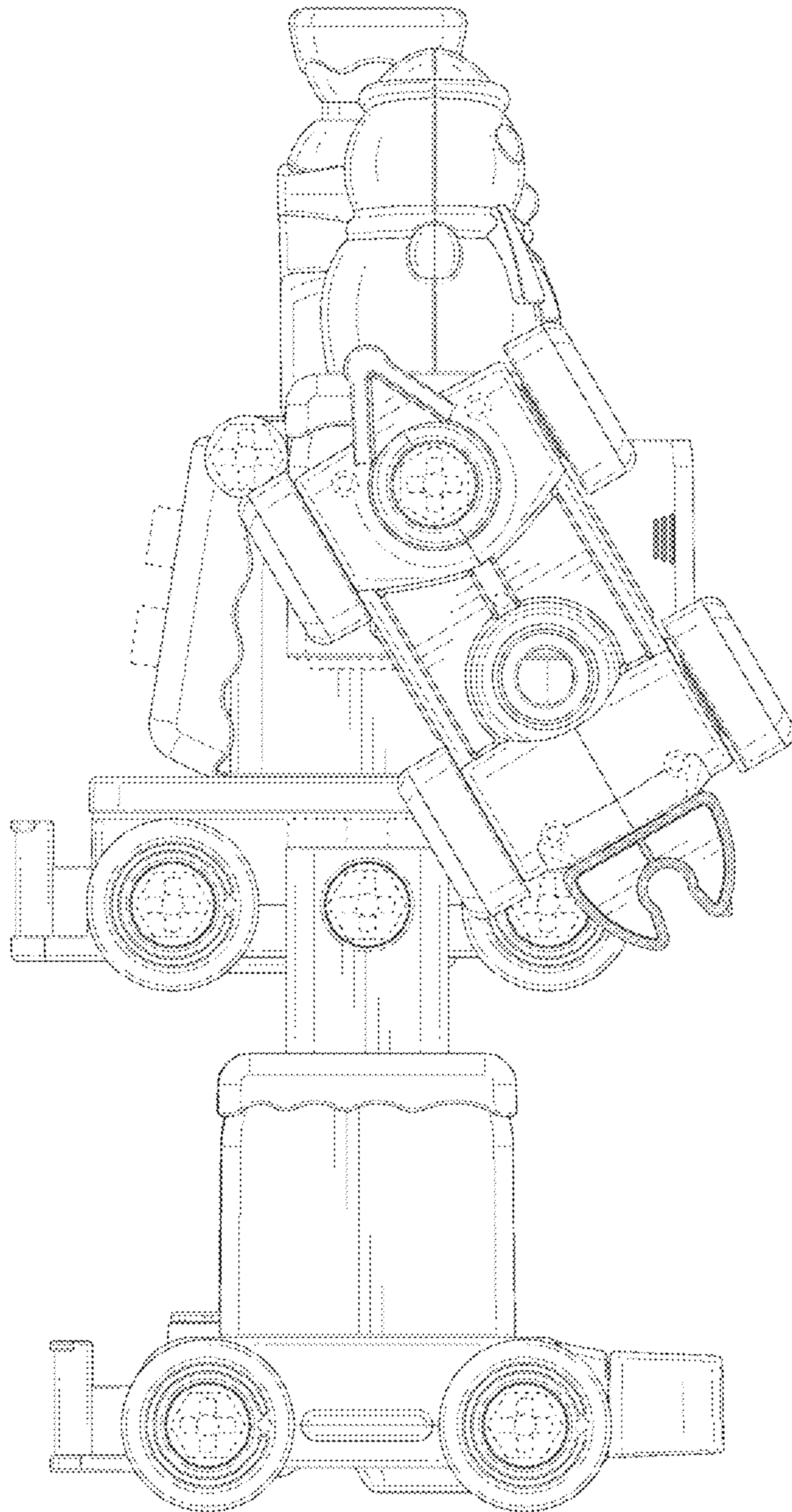




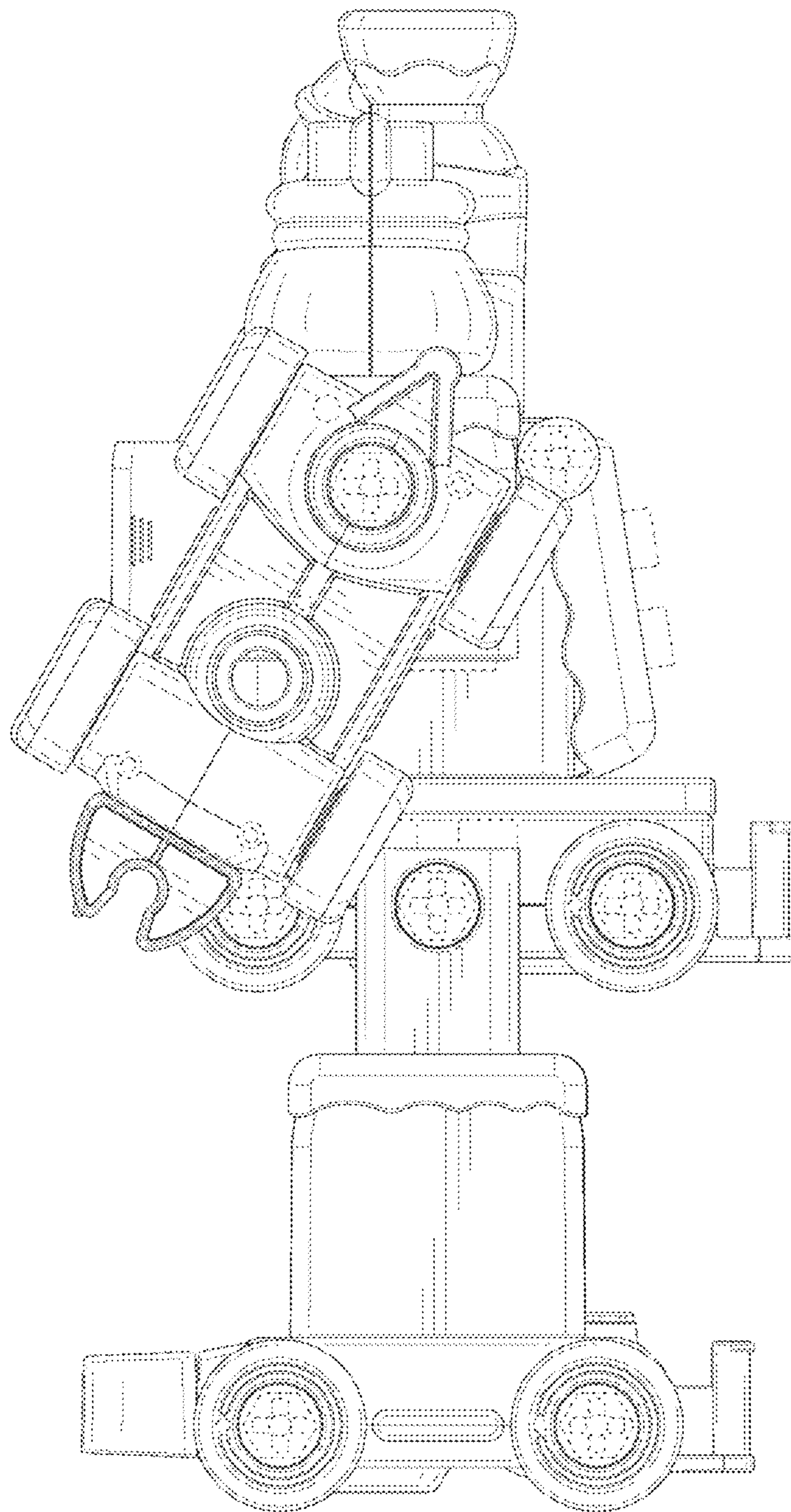
1.2



1.3

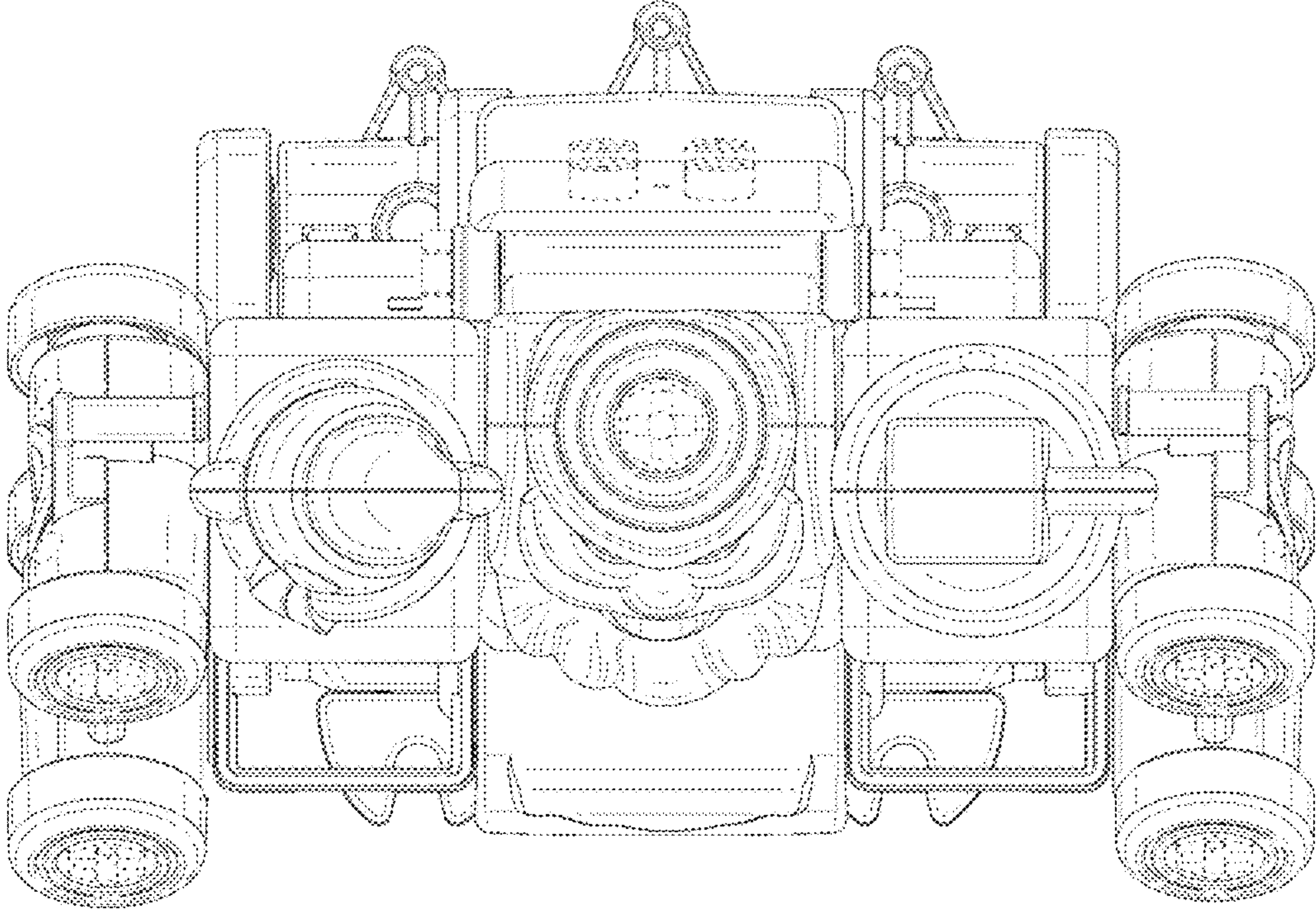


1.4

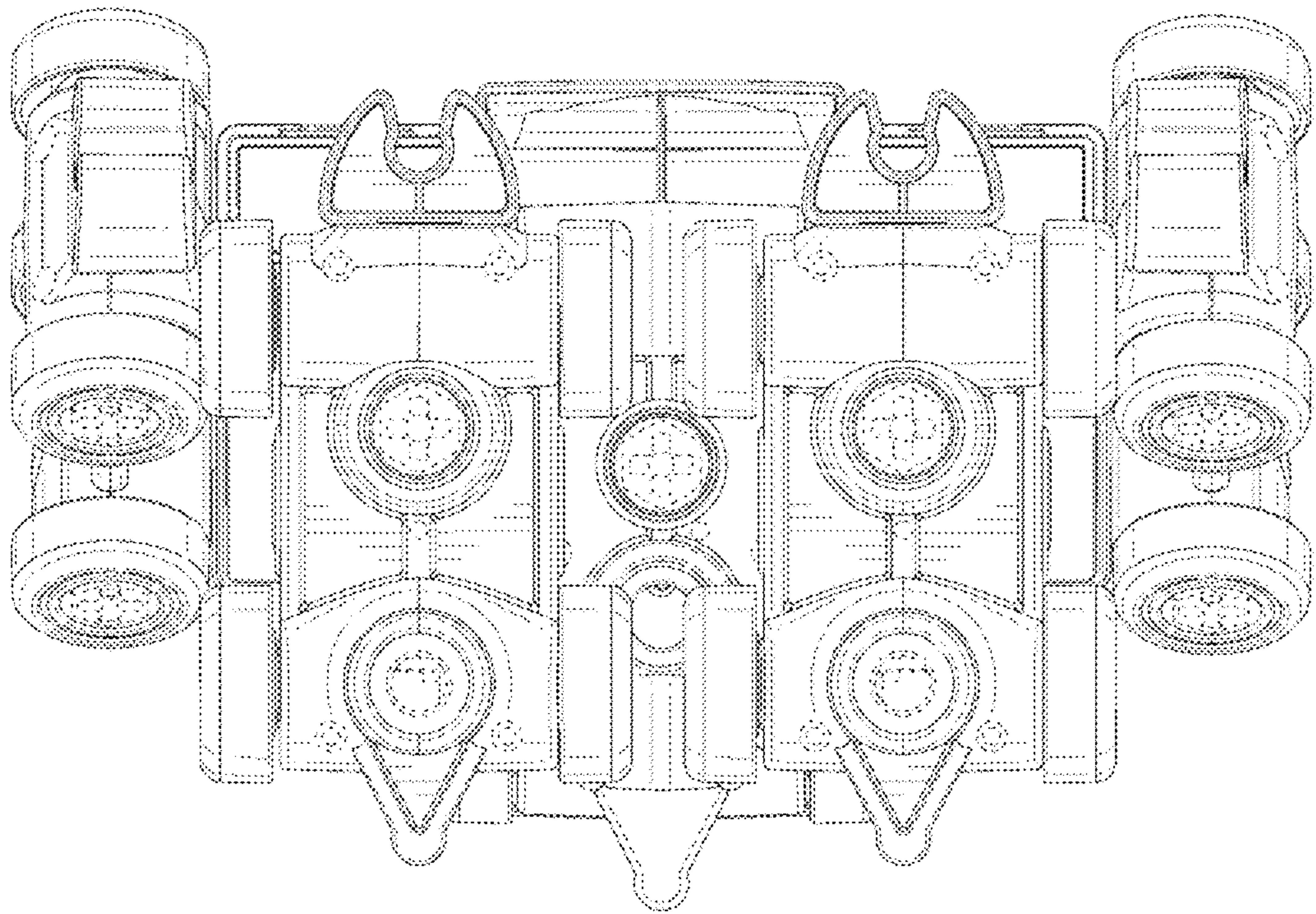




1.5

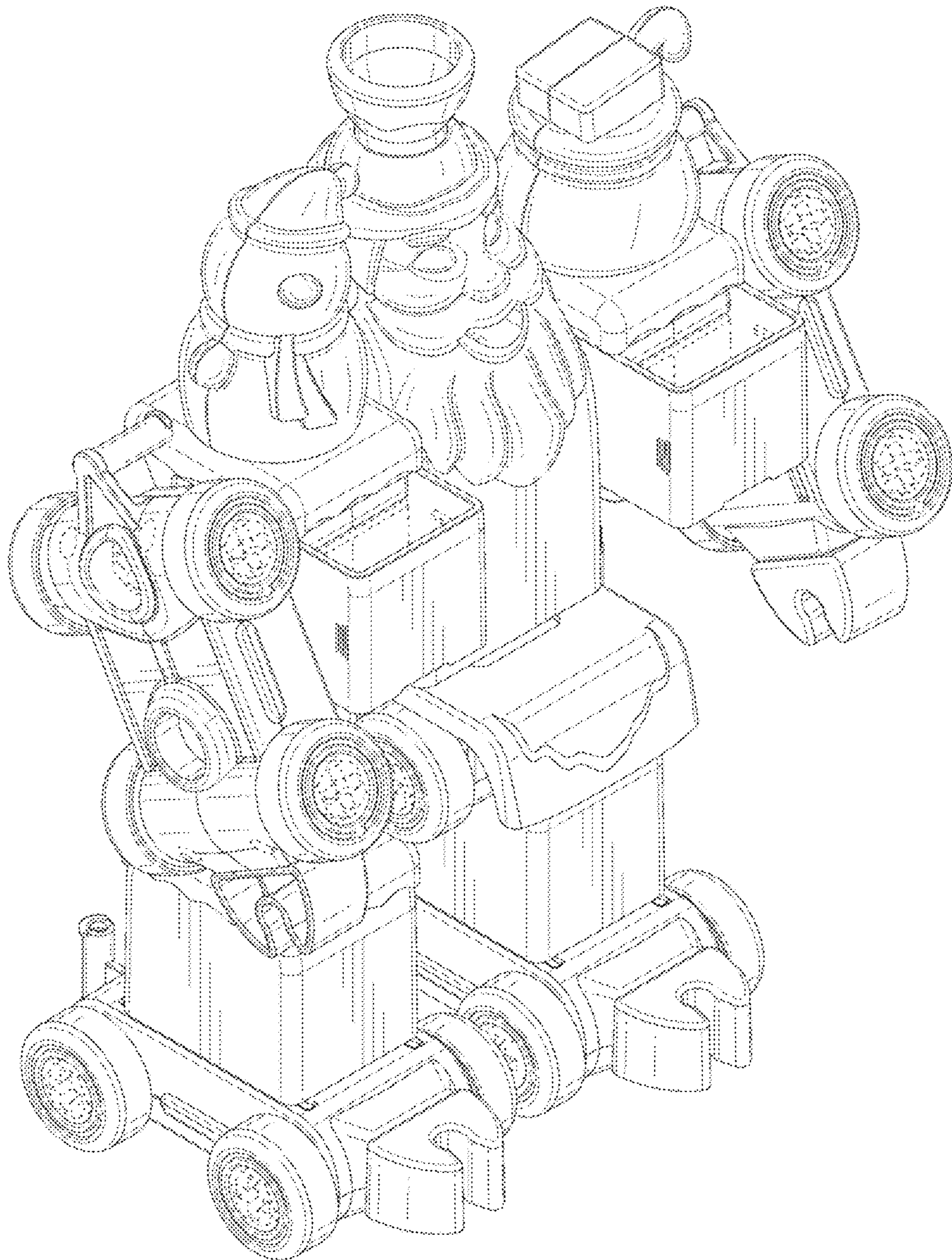


1.6

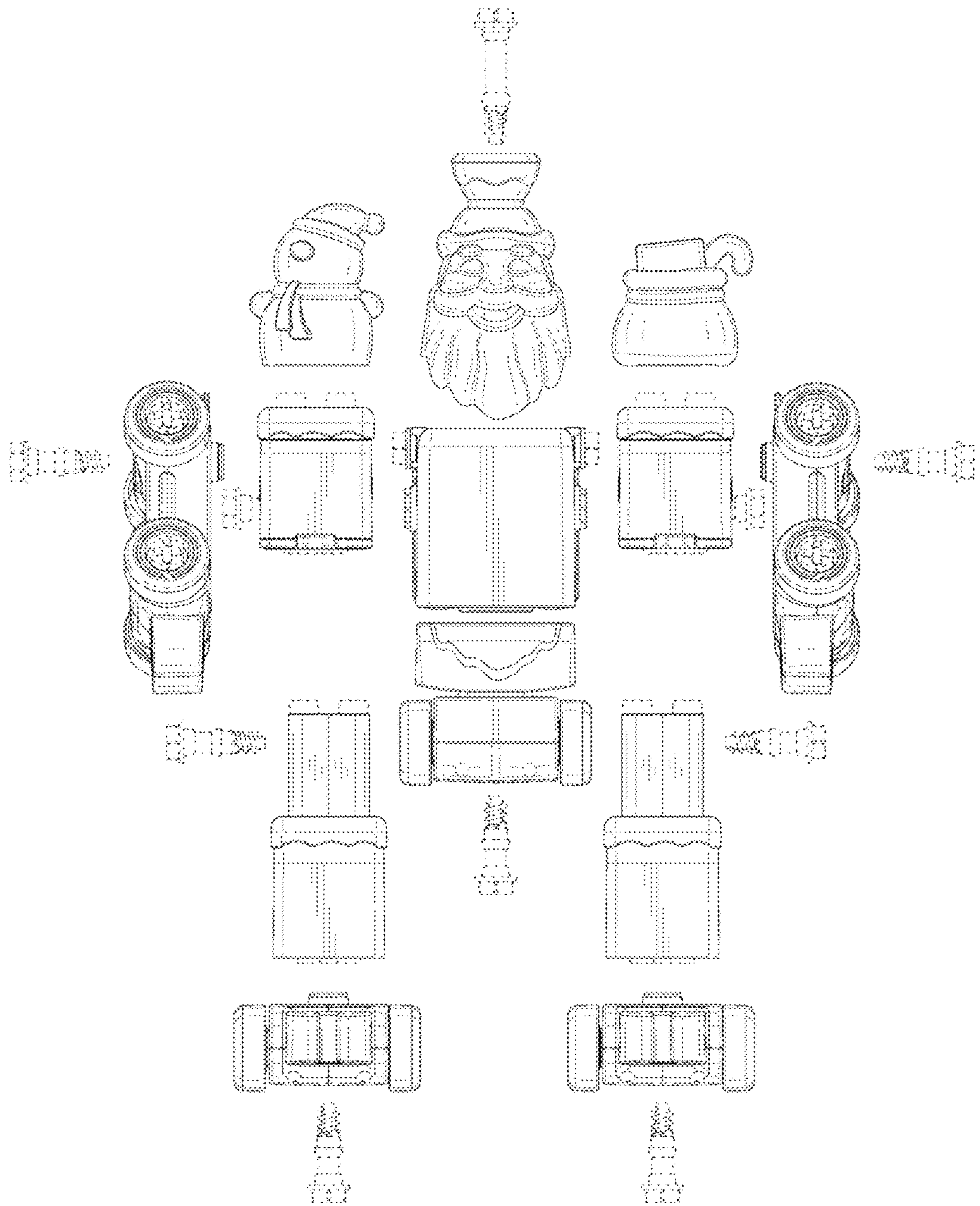




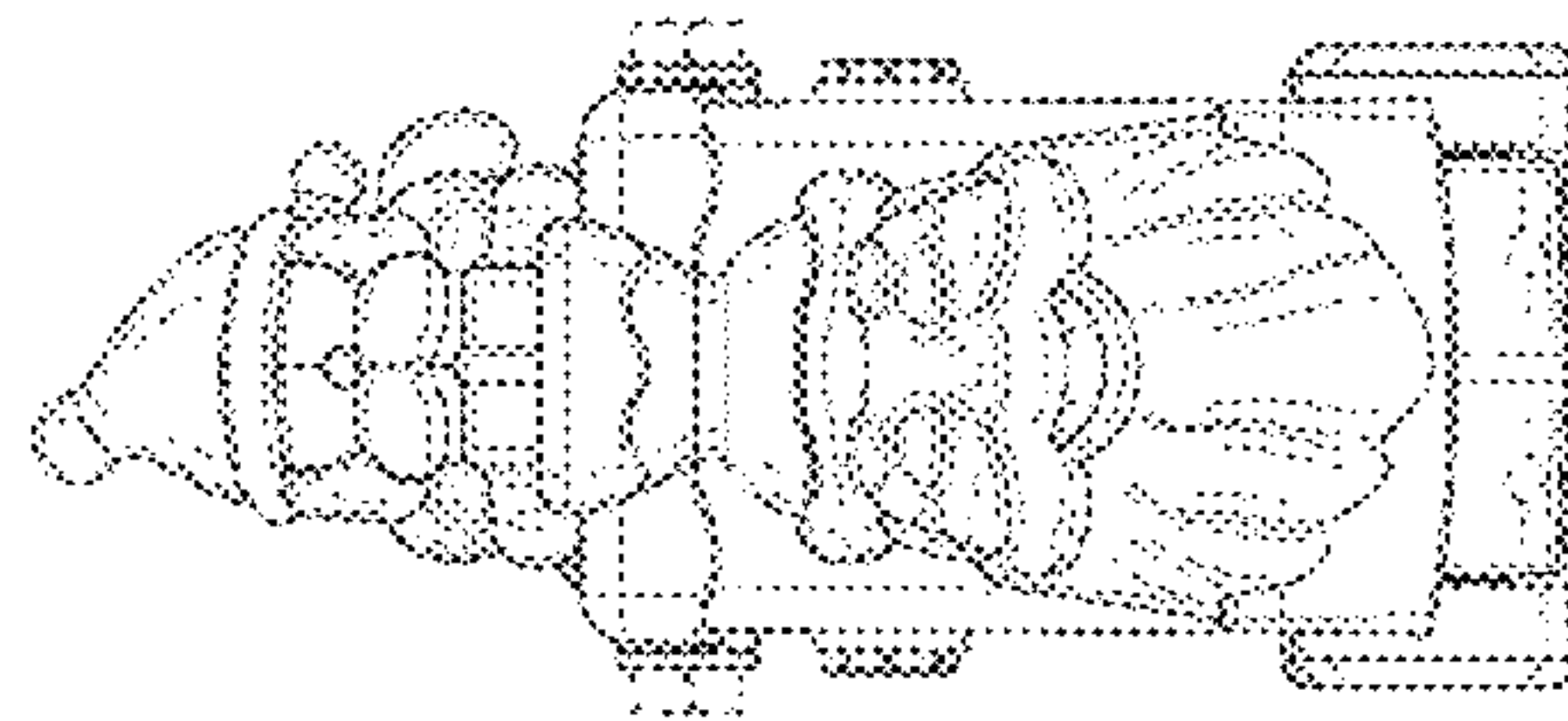
1.7



1.8

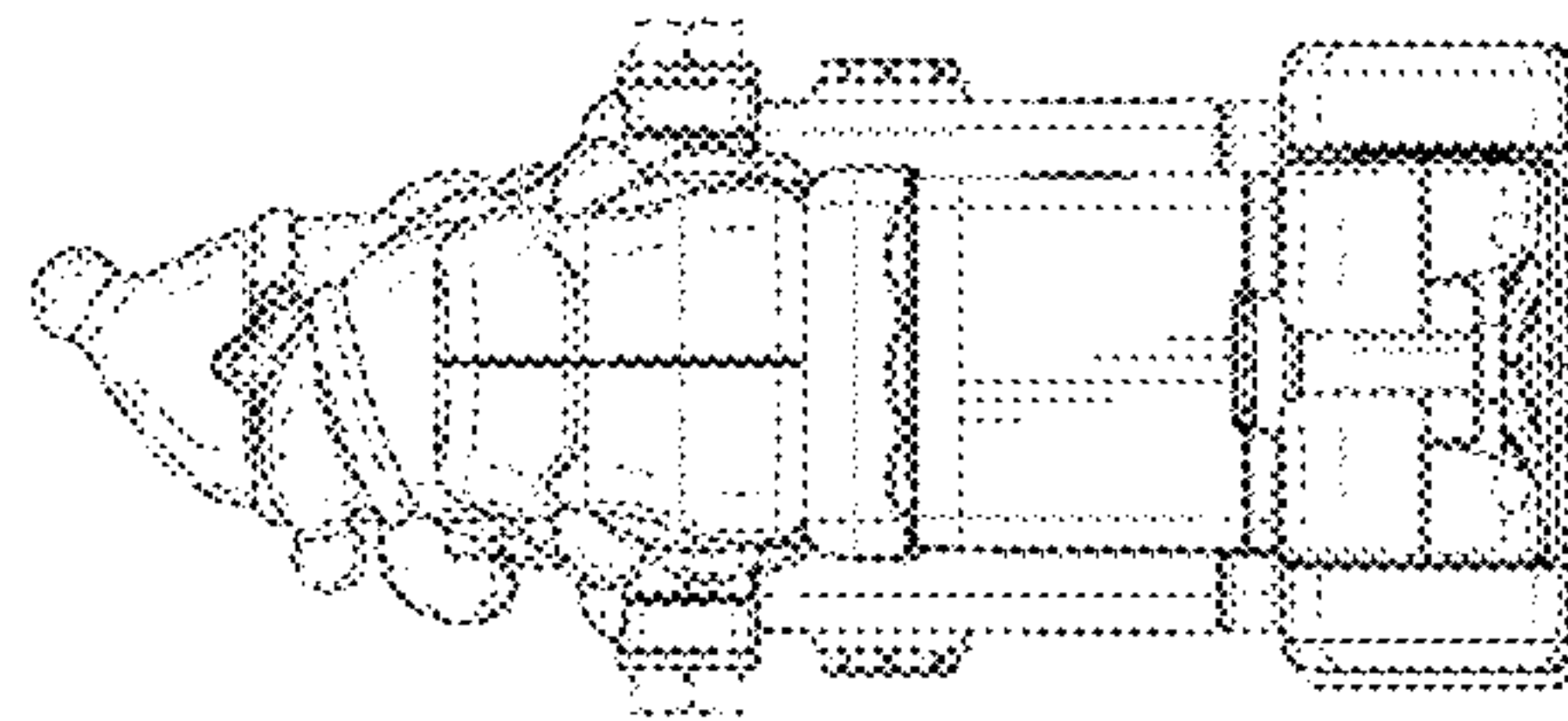


2.1

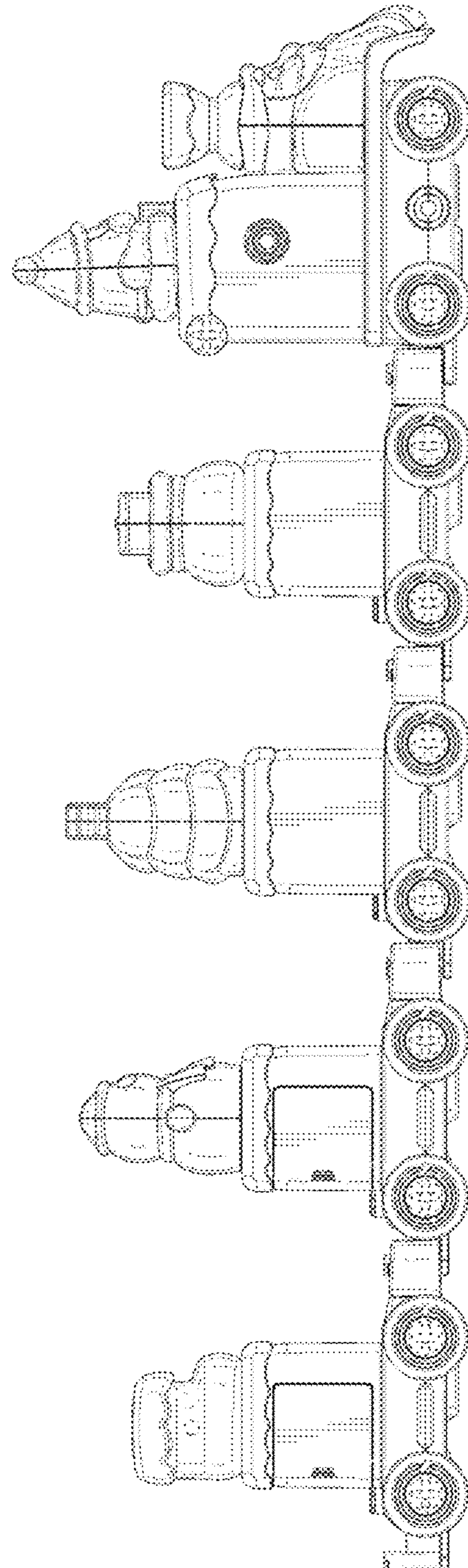




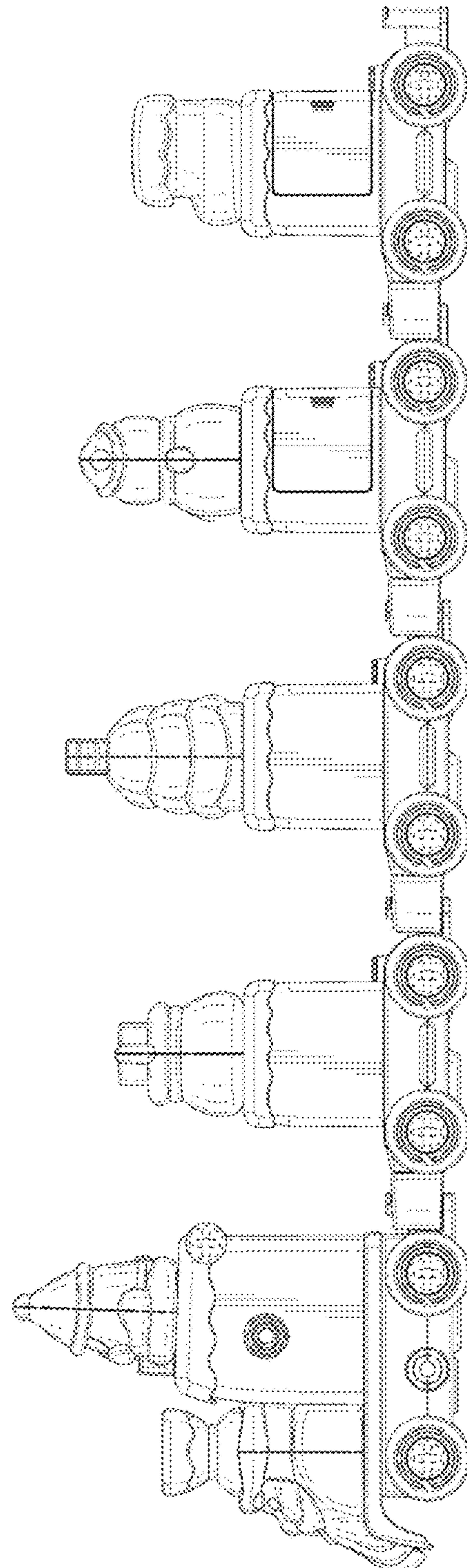
2.2



2.3

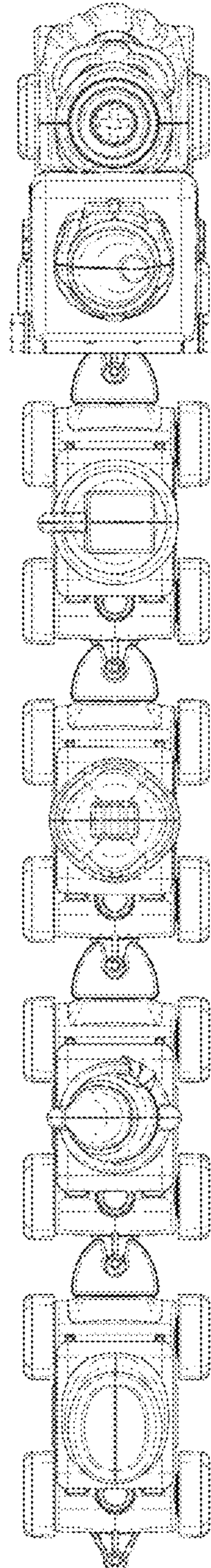


2.4

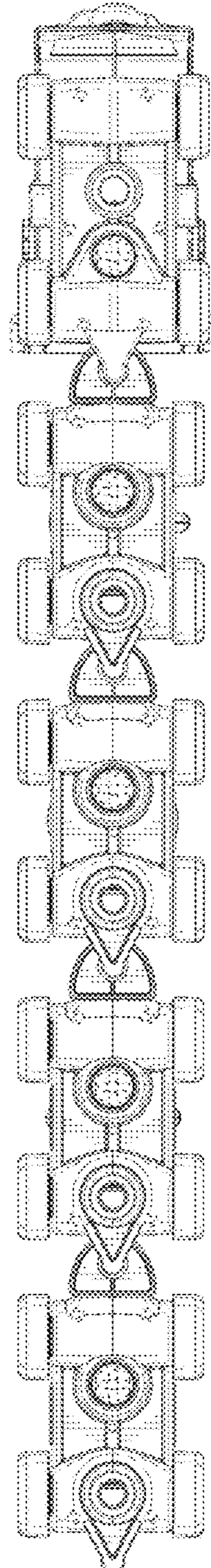




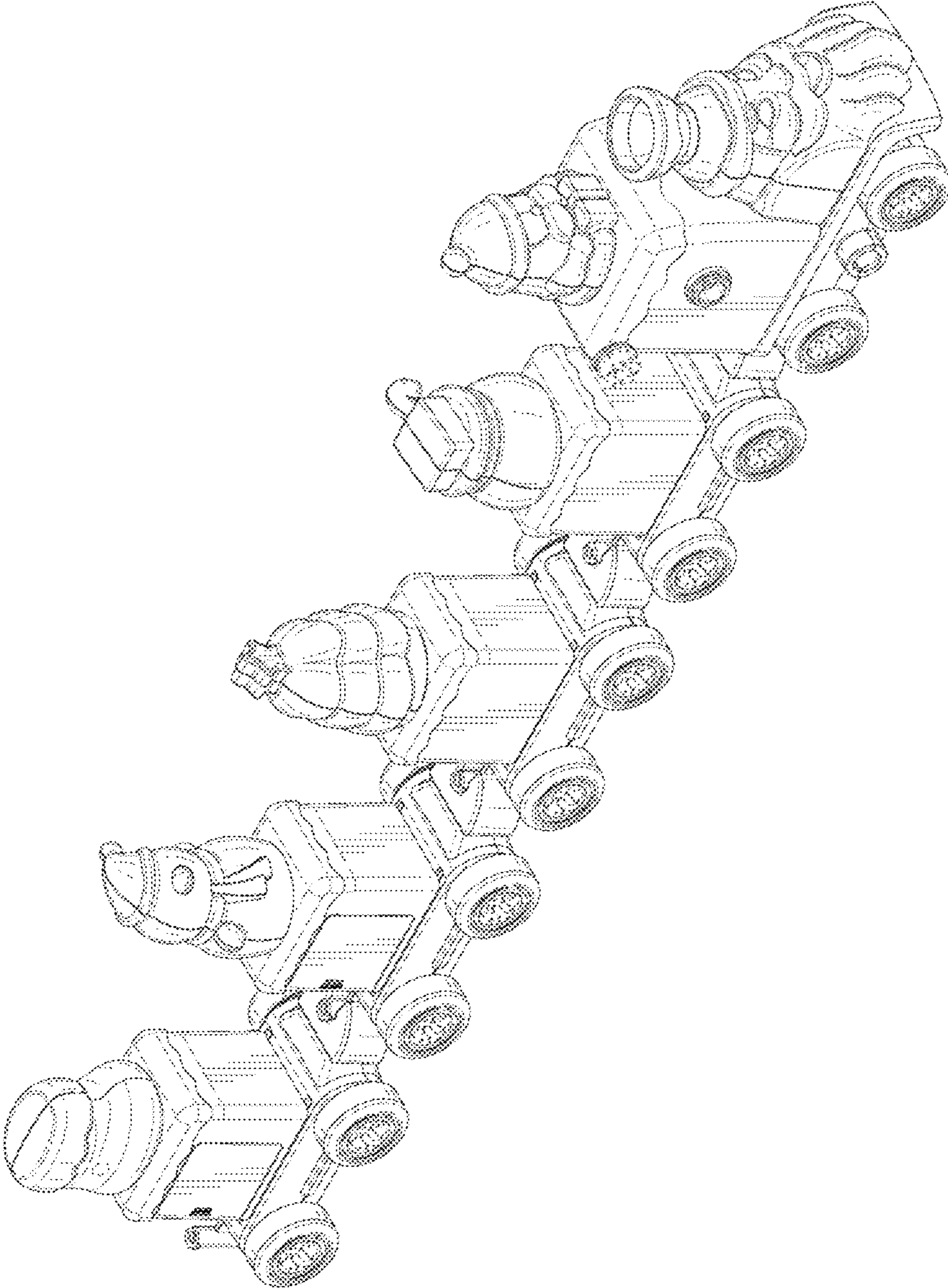
2.5



2.6



2.7





2.8

