



US00D988429S

(12) **United States Design Patent**
Qiu

(10) **Patent No.:** **US D988,429 S**
(45) **Date of Patent:** **** Jun. 6, 2023**

- (54) **GEL BALL BLASTER**
- (71) Applicant: **Xiaojie Qiu**, Quanzhou (CN)
- (72) Inventor: **Xiaojie Qiu**, Quanzhou (CN)
- (73) Assignee: **Xiaojie Qiu**, Quanzhou (CN)
- (**) Term: **15 Years**
- (21) Appl. No.: **29/836,901**
- (22) Filed: **Apr. 29, 2022**
- (51) **LOC (14) Cl.** **21-01**
- (52) **U.S. Cl.**
USPC **D21/573**; D21/572
- (58) **Field of Classification Search**
USPC D21/301, 324–327, 331–333, 385, 401,
D21/567–575; D22/100–108;
D14/412–413, 415–416, 418, 426–428,
D14/430; D10/46, 98
CPC A63H 33/009; A63H 33/28; A63H 33/30;
A63H 33/3072; A63H 33/36; A63H
2200/00; F41C 3/005; F41C 3/06; F41C
3/08; F41C 3/10; F41C 3/12; F41C 3/00;
F41C 3/14; F41C 3/16; F41C 7/00; F41C
7/02; F41C 7/025; F41C 7/04; F41C
7/06; F41C 7/11; F41C 7/12; F41C 9/00;
F41C 27/00; F41C 33/08; F41B 7/08;
F41B 11/89; F41B 5/00; F41B 5/0005;
F41B 5/001; F41B 5/0026; F41B 5/0031;
F41B 5/0052; F41B 5/0073; F41B
5/0094; F41B 5/10; F41B 5/12; F41B
5/123; F41B 5/126; F41B 1/00; F41B
9/00; F41B 9/005; F41B 9/0053; F41B
9/0009; F41B 9/0012; F41B 9/0028;
F41B 9/0031; F41B 9/0078; F41B
9/0081; F41B 9/0096; A63F 13/837;
A63F 13/92; A63F 13/98; A63F 13/00;
A63F 13/20; A63F 13/24; A63F 13/245;
A63F 9/02; A63F 9/0252; A63F
2009/0256; A63F 2009/0265; A63F
2009/026; G06F 3/011; G06F 3/014;
G06F 3/02; G06F 3/0202; G06F

2203/0331; G01S 13/92; G01S 13/91;
G01S 13/93; G01S 13/931; G01S
2013/932

See application file for complete search history.

(56) **References Cited**

U.S. PATENT DOCUMENTS

5,150,819	A *	9/1992	Johnson	F41B 9/0018 222/401
D336,938	S *	6/1993	D'Andrade	D21/572
D337,627	S *	7/1993	Moran	D21/572
D338,697	S *	8/1993	Salmon	D21/572
D340,957	S *	11/1993	D'Andrade	D21/572

(Continued)

OTHER PUBLICATIONS

Cai, Ziran, CN Design No. 306993282, published at Orbit, publication date Dec. 10, 2021. Site visited Sep. 20, 2022. Available from Internet. (Year: 2021).*

Cai, Ziran, CN Design No. 307408461, published at Orbit, publication date Jun. 17, 2022. Site visited Sep. 20, 2022. Available from Internet. (Year: 2022).*

Janniress, Splatter Soft Water Ball Blasters, posted at Amazon, question posting date Apr. 11, 2022/ Site visited Sep. 16, 2022. URL: <<https://www.amazon.com/Splatter-Blasters-Outdoor-Activities-Birthday/dp/B09VH4PH4F/>> (Year: 2022).*

(Continued)

Primary Examiner — Kathleen L Jones

(74) *Attorney, Agent, or Firm* — Nitin Kaushik

(57) **CLAIM**

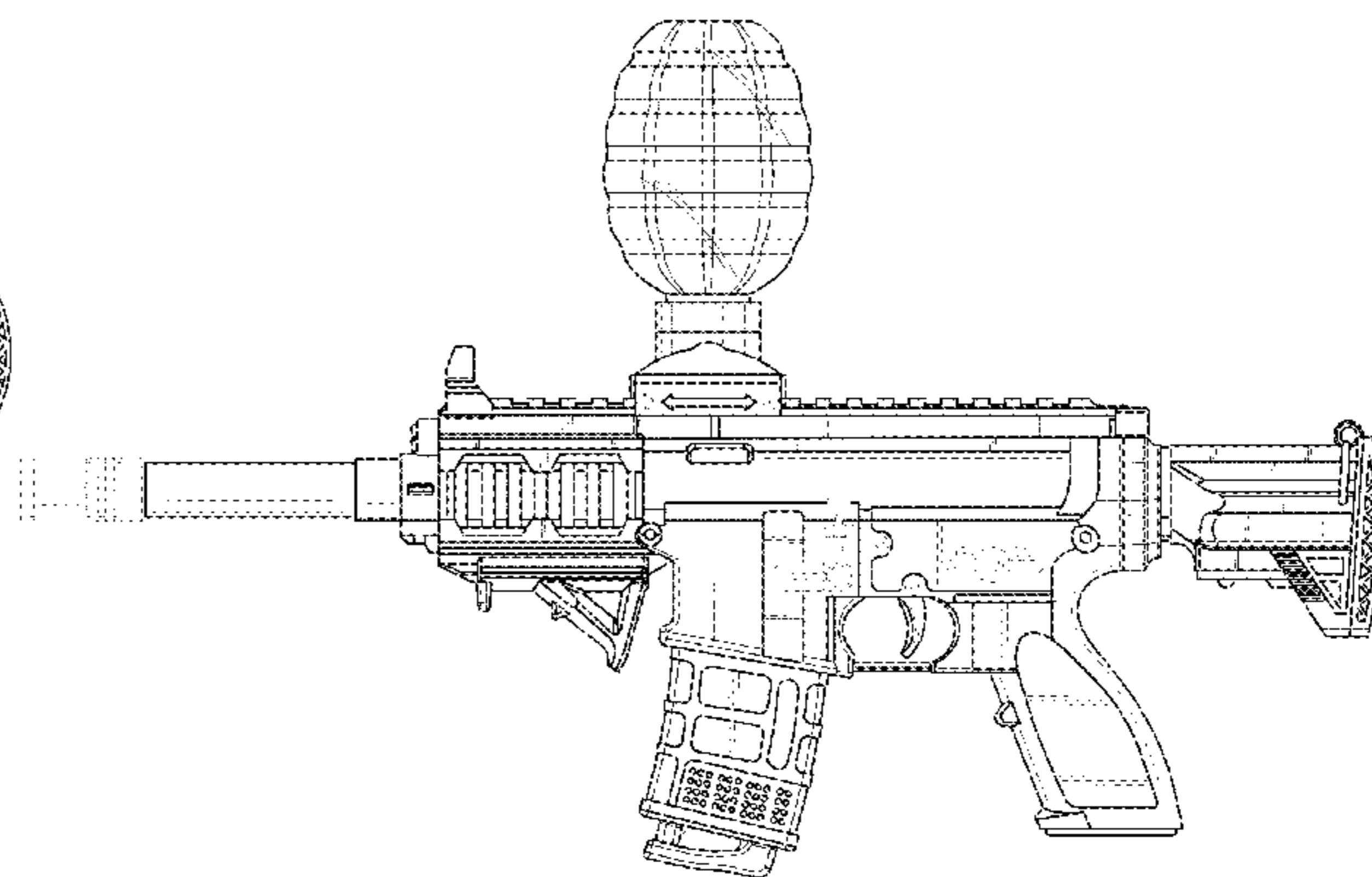
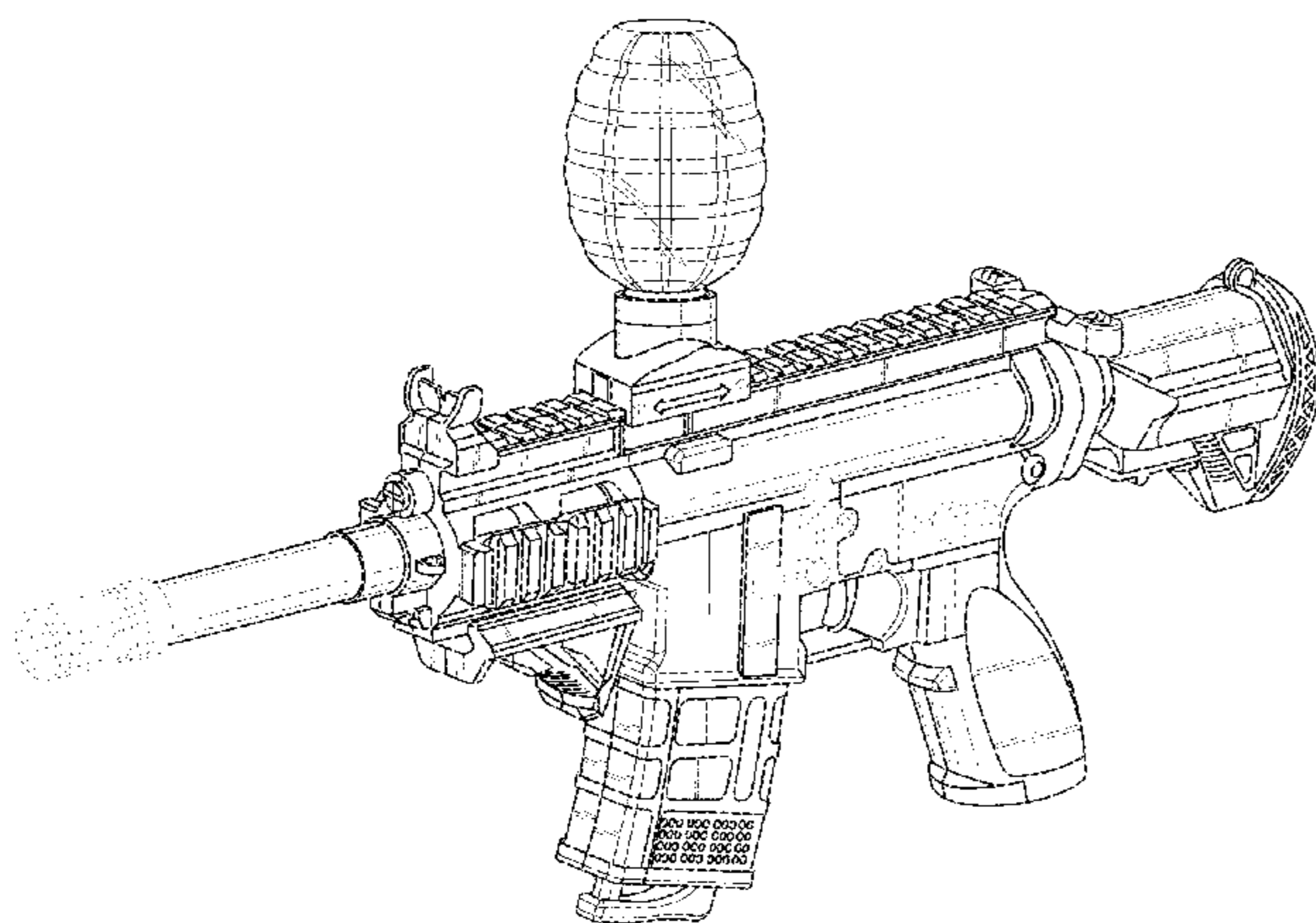
The ornamental design for a gel ball blaster, as shown and described.

DESCRIPTION

FIG. 1 is a front perspective view of a gel ball blaster, showing my new design;
FIG. 2 is a front view thereof;
FIG. 3 is a rear view thereof;
FIG. 4 is a left side view thereof;
FIG. 5 is a right side view thereof;
FIG. 6 is a top view thereof; and,
FIG. 7 is a bottom view thereof.

The broken lines showing portions of the gel ball blaster form no part of the claimed design.

1 Claim, 5 Drawing Sheets



(56)

References Cited

U.S. PATENT DOCUMENTS

D348,912 S * 7/1994 Caminos D21/572
D350,574 S * 9/1994 Caminos D21/572
D359,529 S * 6/1995 Nguyen D21/572
D393,022 S * 3/1998 Nagel D21/572
5,878,914 A * 3/1999 Johnson F41B 9/0012
222/401
6,540,108 B1 * 4/2003 Johnson F41B 9/0012
222/401
D786,987 S 5/2017 Su
D803,955 S * 11/2017 Martelli D21/573
D966,432 S * 10/2022 Chen D21/573

OTHER PUBLICATIONS

Joneg, Electric Gel Ball Blaster, posted at Amazon, review posting date Mar. 15, 2021. Site visited Sep. 16, 2022. URL: <<https://www.amazon.com/Electric-Rechargeable-Splatter-Blaster-Batteries/product-reviews/B09Y5FG2Y2/>> (Year: 2021).*

Spark future, Gel Ball Blaster, posted at Amazon, review posting date Jan. 12, 2022. Site visited Sep. 16, 2022. URL: <<https://www.amazon.com/Blaster-Splatter-Electric-Backyard-Outdoor/dp/B09KHDVS4T?th=1>> (Year: 2022).*

Bosiil, Gel Ball Blaster, posted at Amazon, review posting date Apr. 25, 2022. Site visited Sep. 16, 2022. URL: <<https://www.amazon.com/Gel-Ball-Blaster-Splatter-Bosiil/product-reviews/B09Y1Q4QPY/>> (Year: 2022).*

* cited by examiner

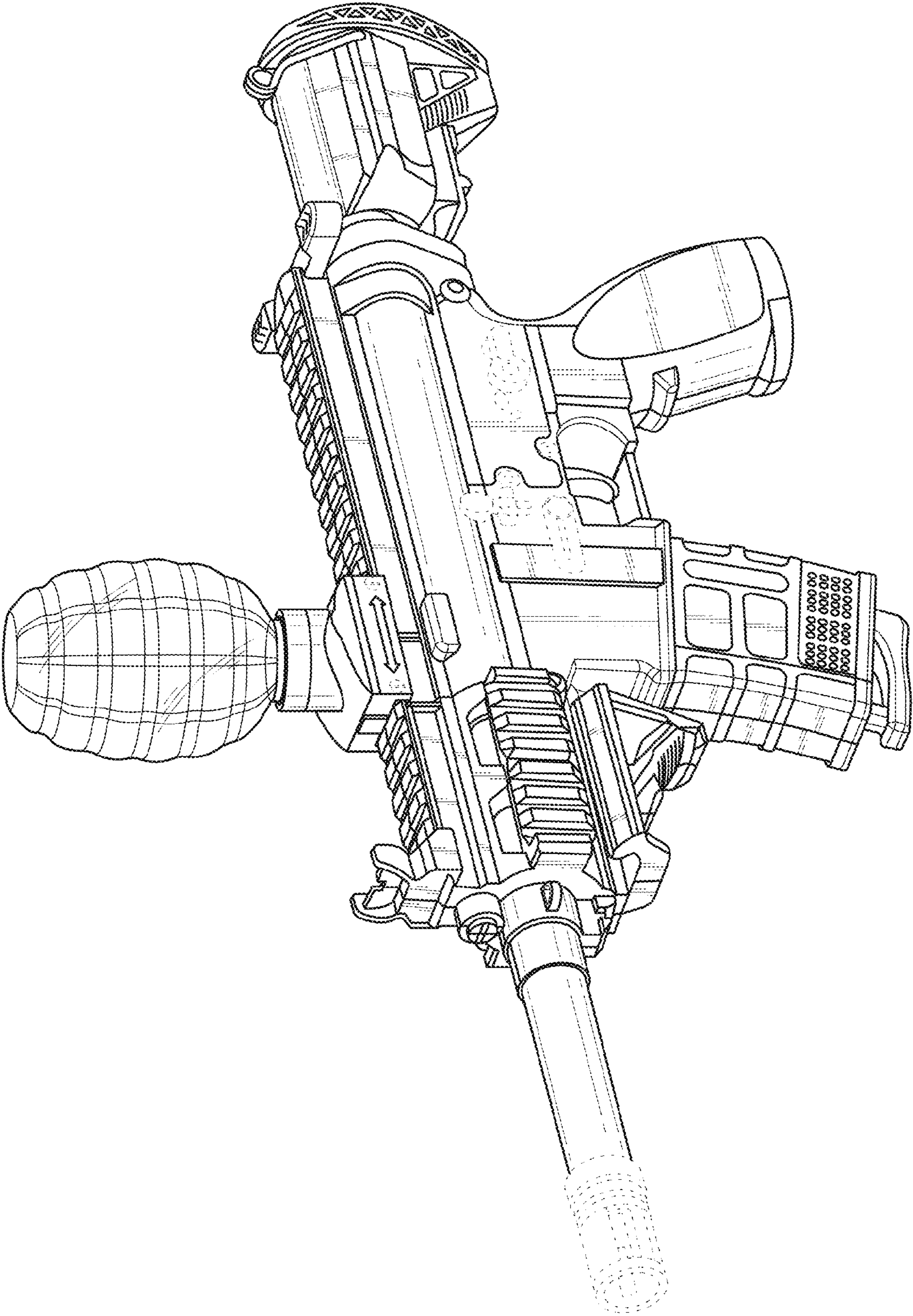


FIG. 1

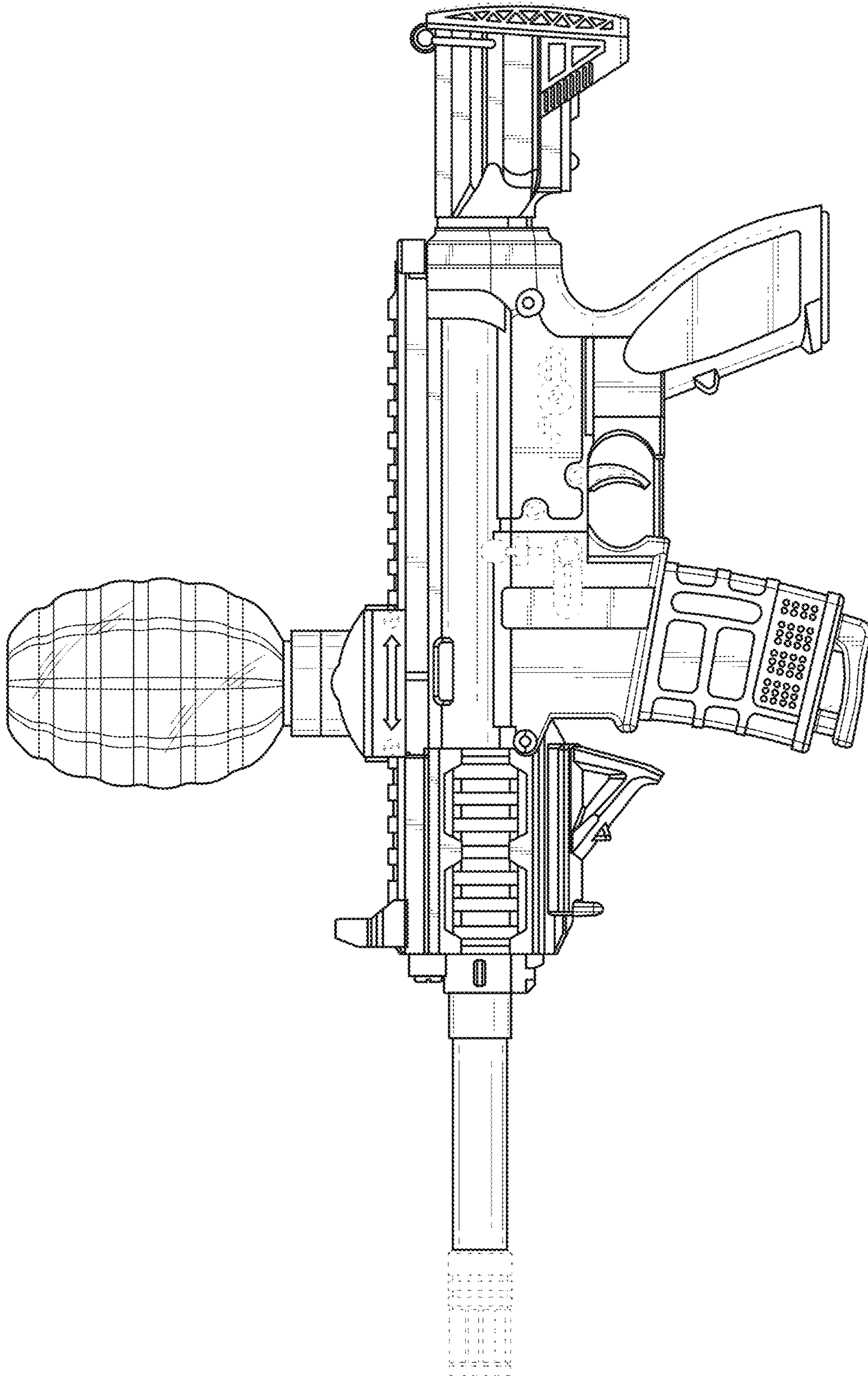


FIG. 2

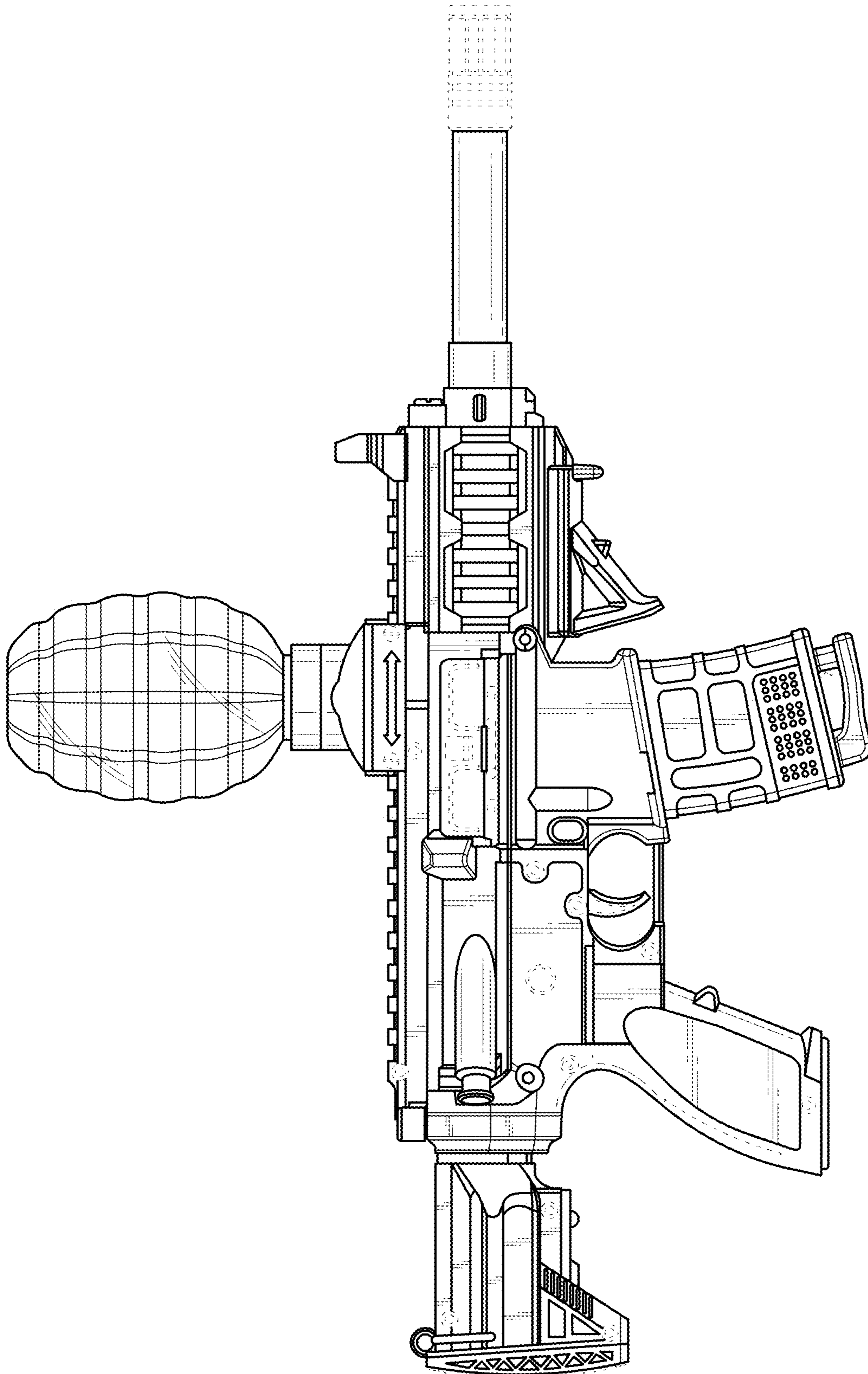


FIG. 3

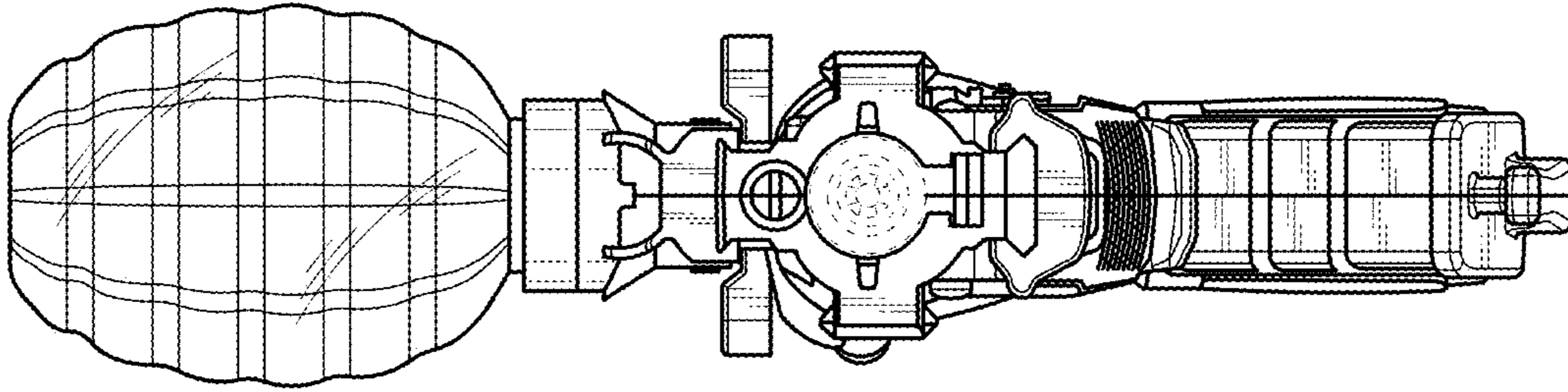


FIG. 5

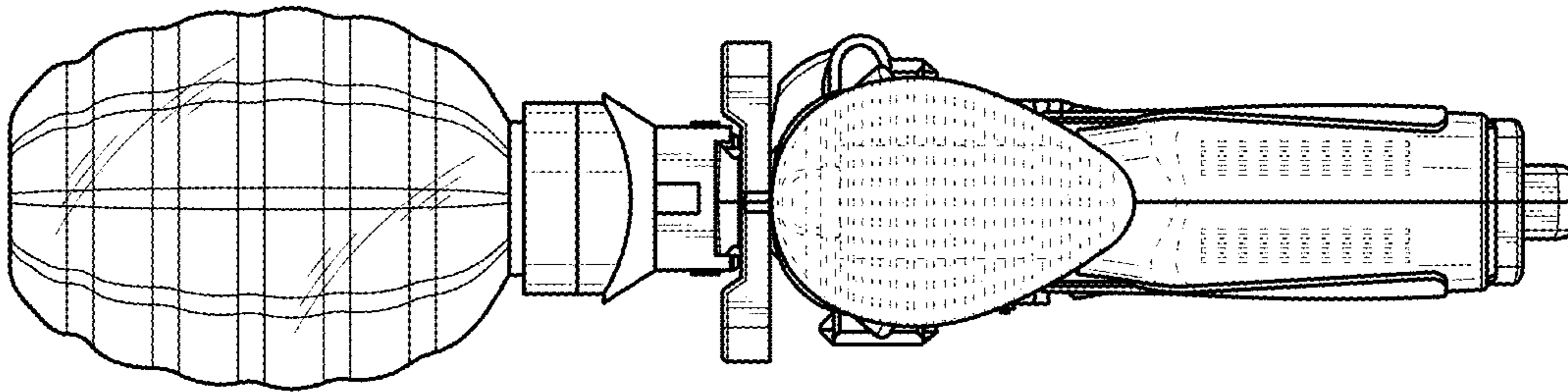


FIG. 4

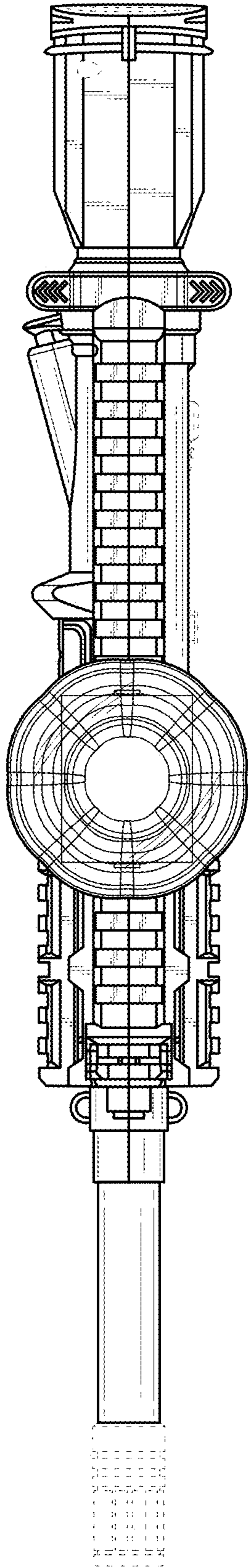


FIG. 6

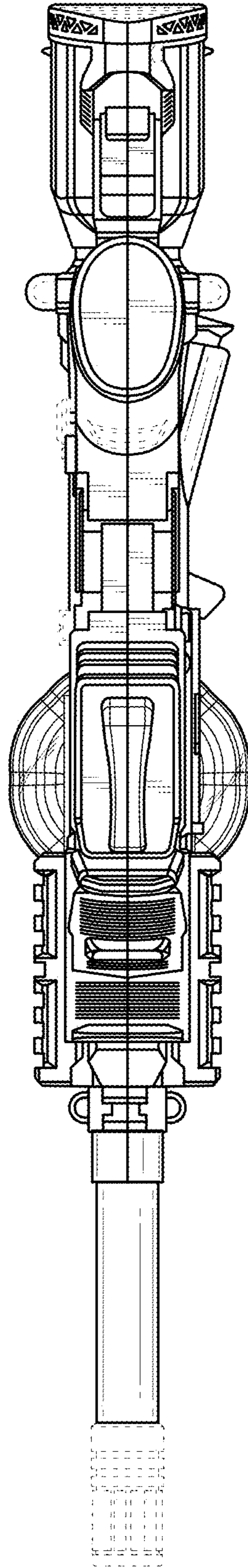


FIG. 7