



US00D988426S

(12) **United States Design Patent** (10) **Patent No.:** **US D988,426 S**
Brunet et al. (45) **Date of Patent:** **** Jun. 6, 2023**

(54) **FIGURINE**

8,079,890 B2 12/2011 Seligman
 D687,224 S 8/2013 Lacroix
 D687,910 S 8/2013 Provencher et al.
 D688,330 S 8/2013 Provencher et al.
 D688,332 S 8/2013 Stosiak et al.
 D688,333 S 8/2013 Stosiak et al.

(71) Applicant: **Mattel-MEGA Holdings (US), LLC**,
El Segundo, CA (US)

(72) Inventors: **Philippe Brunet**, Lachine (CA); **Benoit Vézina**, Montreal (CA); **Thierry Beauregard**, Boisbriand (CA)

(Continued)

FOREIGN PATENT DOCUMENTS

(73) Assignee: **Mattel-MEGA Holdings (US), LLC**,
El Segundo, CA (US)

CN 108635884 10/2018
 KR 20150054600 A 5/2015

(Continued)

(**) Term: **15 Years**

Primary Examiner — Cynthia M. Chin

(21) Appl. No.: **29/776,436**

(74) *Attorney, Agent, or Firm* — Plumsea Law Group, LLC

(22) Filed: **Mar. 30, 2021**

(51) **LOC (14) Cl.** **21-01**

(57) **CLAIM**

(52) **U.S. Cl.**
USPC **D21/493**; D21/630

The ornamental design for a figurine, as shown and described.

(58) **Field of Classification Search**
USPC D21/484–505, 621, 630, 641, 642, 658,
D21/661

DESCRIPTION

CPC . A63H 3/00; A63H 3/16; A63H 33/04; A63H
 33/044; A63H 33/06; A63H 33/062;
 A63H 33/065; A63H 33/08; A63H 33/10;
 A63H 33/101; A63H 33/102; A63H
 33/108

FIG. 1 is a top front isometric perspective view of a figurine showing our new design;
 FIG. 2 is a front elevational view thereof;
 FIG. 3 is a rear elevational view thereof;
 FIG. 4 is a side elevational view thereof;
 FIG. 5 is an opposite side elevational view thereof;
 FIG. 6 is a top plan view thereof; and,
 FIG. 7 is a bottom plan view thereof.

See application file for complete search history.

The evenly-spaced broken lines and unshaded areas in the figures illustrate portions of the article's appearance that form no part of the claimed design. The long and short broken lines define bounds of the claimed design and form no part thereof.

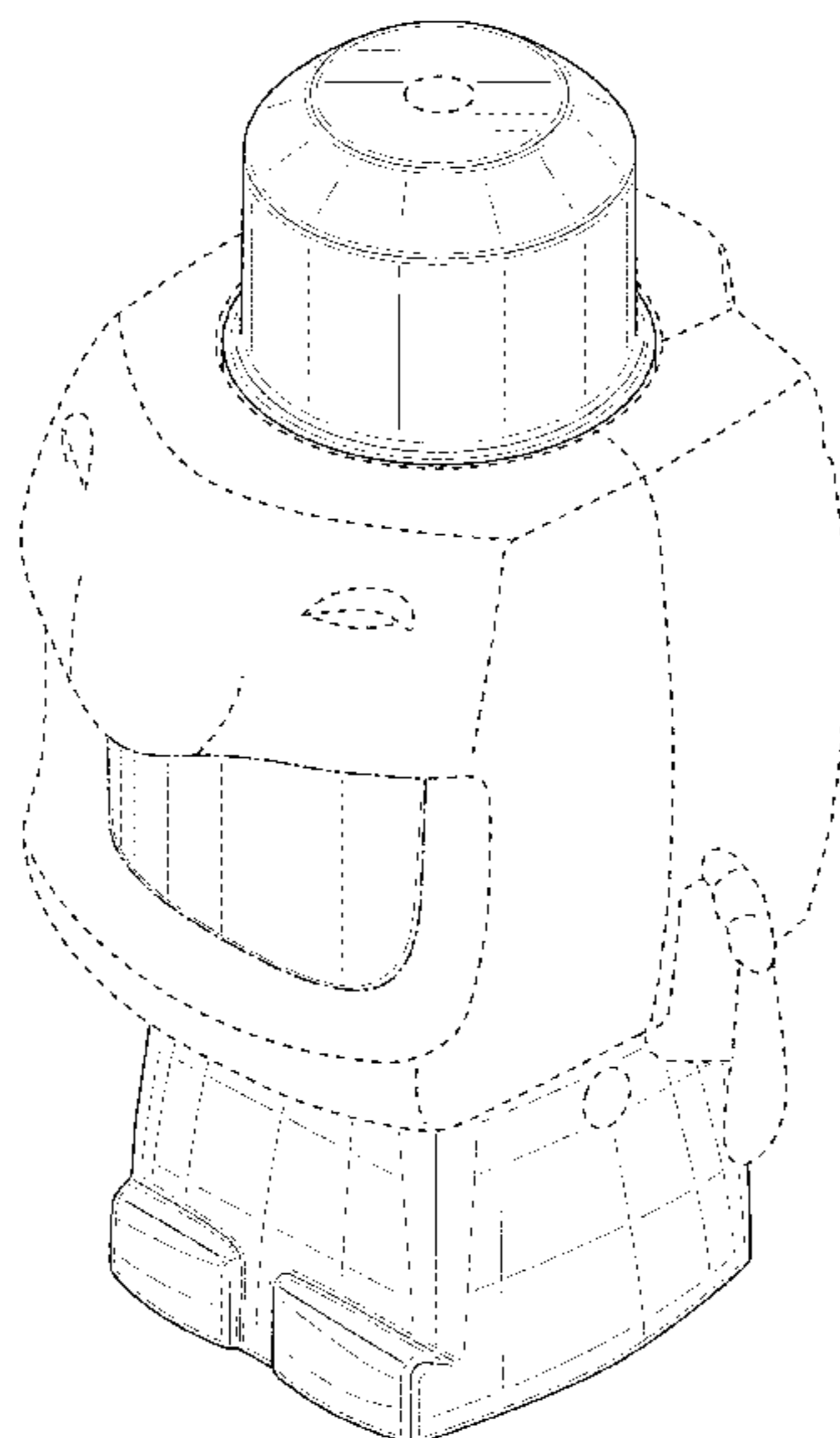
(56) **References Cited**

The shading is provided merely to represent contours of the design and does not connote the character of the surfaces such as any specific texture, material, gloss, translucence, transparency, surface treatment, or surface decoration.

U.S. PATENT DOCUMENTS

D248,881 S * 8/1978 Goldfarb D21/621
 6,558,225 B1 5/2003 Rehkemper et al.
 D494,643 S 8/2004 Bresciani et al.
 D495,764 S 9/2004 Bresciani et al.
 6,893,316 B2 5/2005 Maxwell et al.
 D562,412 S 2/2008 Tremblay et al.
 7,658,662 B2 2/2010 Tremblay et al.
 7,708,615 B2 5/2010 Munch
 D647,698 S 11/2011 Cally
 D647,699 S 11/2011 Cally

1 Claim, 7 Drawing Sheets



(56)

References Cited

U.S. PATENT DOCUMENTS

D688,334 S 8/2013 Stosiak et al.
 D688,335 S 8/2013 Stosiak et al.
 D688,336 S 8/2013 Provencher et al.
 D700,248 S 2/2014 Proulx et al.
 D707,554 S 6/2014 Lavoie
 9,016,902 B1 4/2015 Lin et al.
 9,205,344 B2* 12/2015 Botterill A63H 3/16
 D750,485 S 3/2016 Lavoie
 D751,152 S 3/2016 Pestel et al.
 D751,153 S 3/2016 Lacroix et al.
 D751,154 S 3/2016 Oligny-Lemieux et al.
 D753,774 S 4/2016 Proulx et al.
 9,457,287 B1 10/2016 Lin et al.
 9,573,075 B1* 2/2017 Capriola A63H 33/042
 D785,101 S* 4/2017 Austin D21/630
 D786,985 S 5/2017 Ramiere et al.
 D789,459 S 6/2017 Ramiere et al.
 D790,395 S 6/2017 Beauregard et al.
 9,841,180 B1 12/2017 Lin et al.
 9,901,827 B2* 2/2018 May A63H 33/042
 D829,127 S 9/2018 Beauregard et al.
 D834,106 S 11/2018 Pestel
 D837,311 S 1/2019 Vezina et al.
 D842,396 S 3/2019 Vezina et al.

D842,938 S 3/2019 Vezina et al.
 D846,433 S 4/2019 Charria et al.
 D848,542 S 5/2019 Pestel
 D887,893 S 6/2020 Beauregard et al.
 D897,456 S 9/2020 Vezina
 D897,457 S 9/2020 Vezina
 10,905,965 B2* 2/2021 Song A63H 3/08
 D943,036 S* 2/2022 Wellejus D21/631
 11,305,204 B1* 4/2022 Nam A63H 3/16
 2004/0136186 A1 7/2004 Hsu
 2013/0109268 A1 5/2013 Lin
 2013/0143466 A1* 6/2013 Yamanaka A63H 33/088
 446/85
 2015/0238880 A1* 8/2015 Austin A63H 3/16
 446/376
 2016/0325200 A1 11/2016 Lu
 2016/0339352 A1* 11/2016 Liu A63H 33/16
 2018/0028927 A1* 2/2018 Sewell A63H 3/46
 2019/0232185 A1 8/2019 Lin et al.
 2022/0088471 A1* 3/2022 Sershon A63H 3/16
 2022/0339551 A1* 10/2022 Ainley A63H 33/042

FOREIGN PATENT DOCUMENTS

WO 2020007262 A1 1/2020
 WO 2020062927 A1 4/2020

* cited by examiner

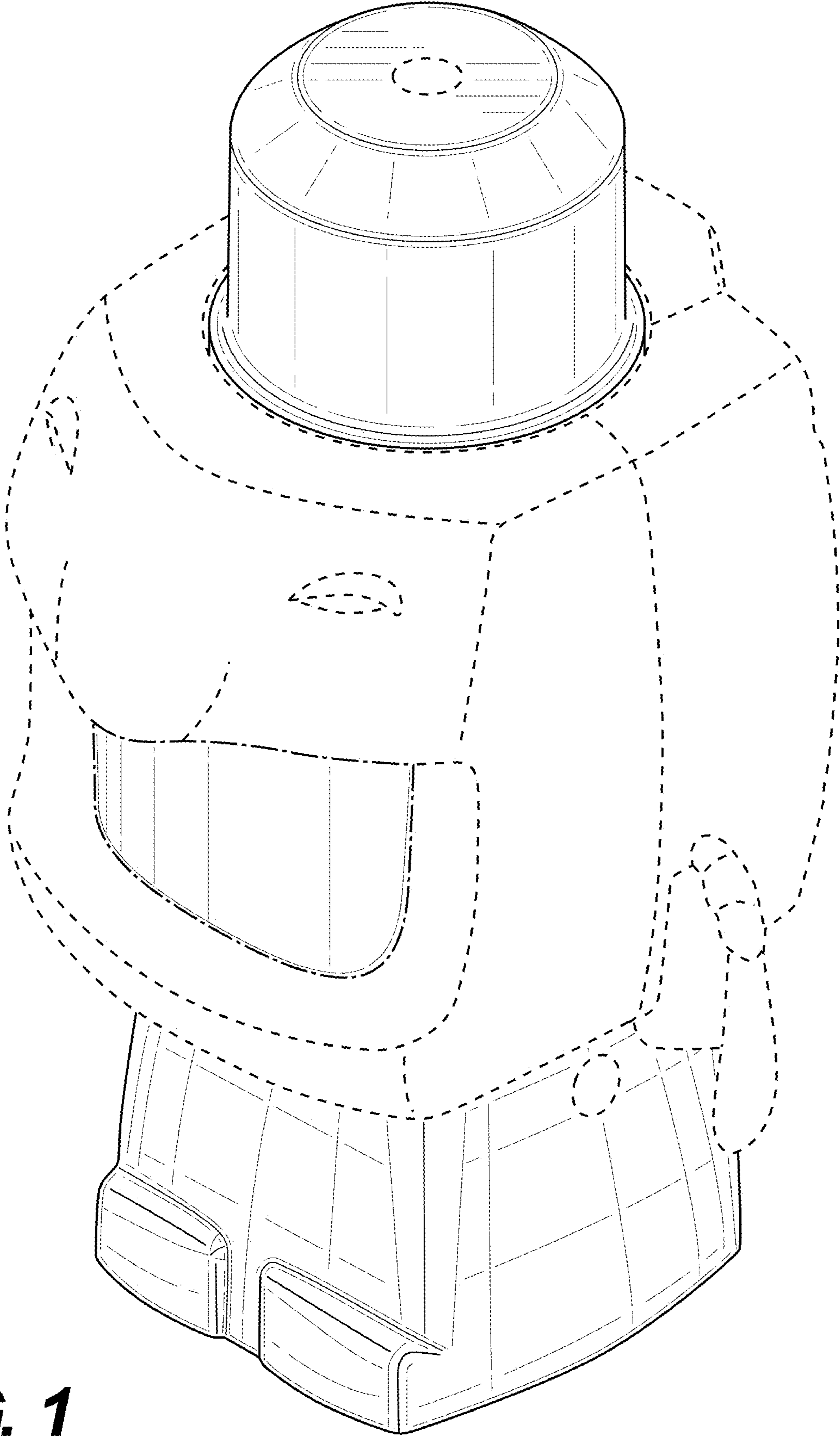


FIG. 1

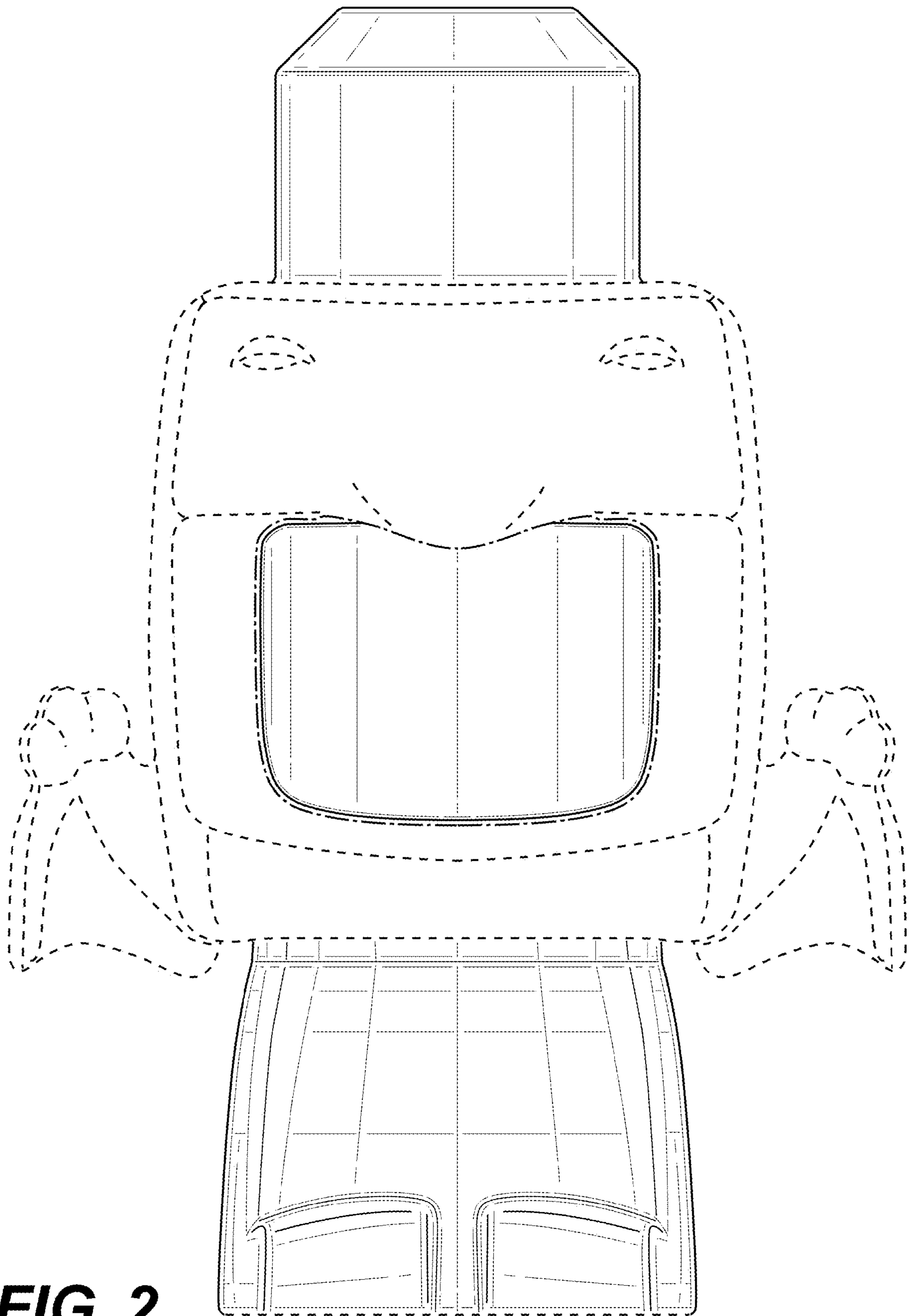


FIG. 2

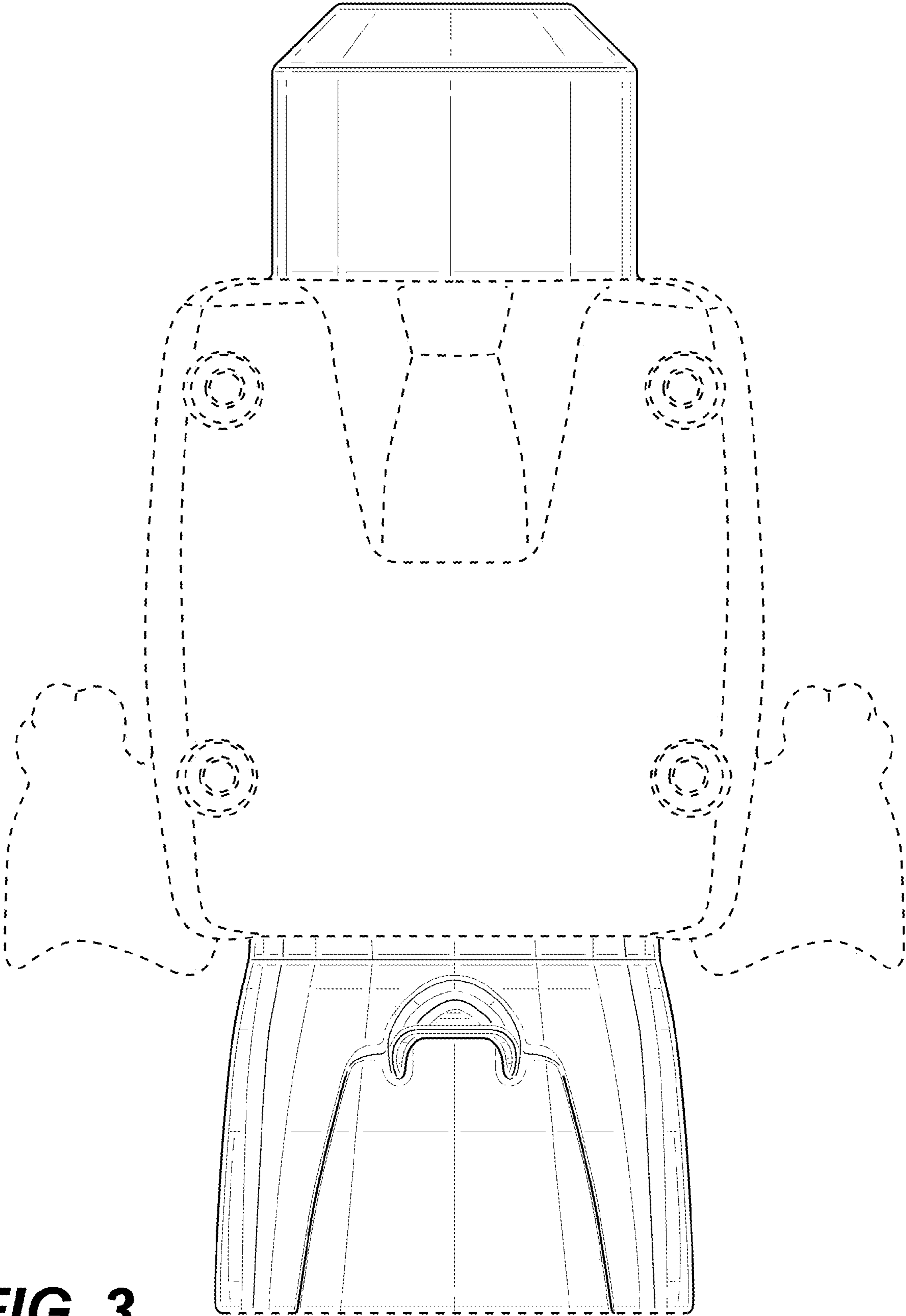


FIG. 3

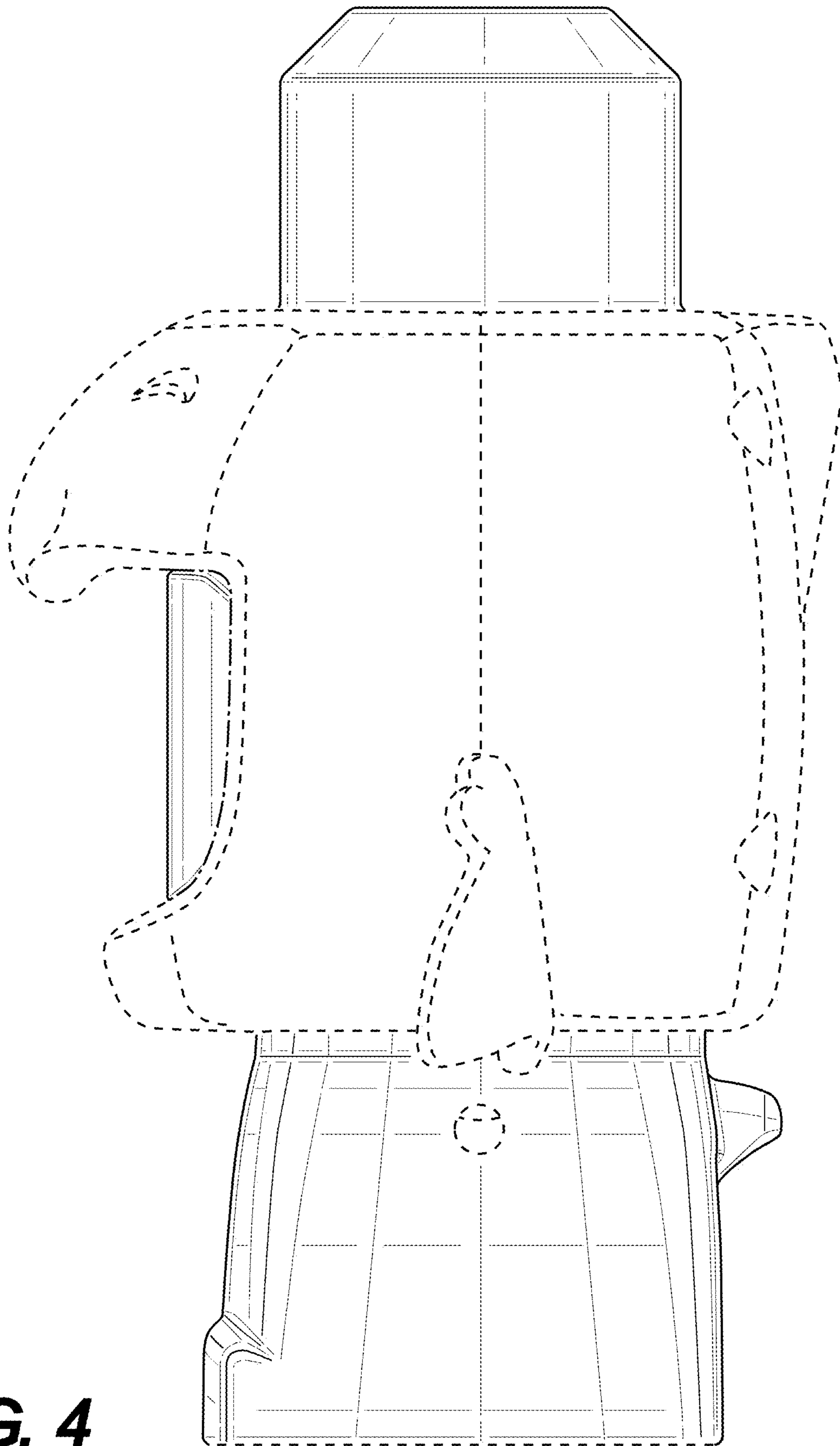


FIG. 4

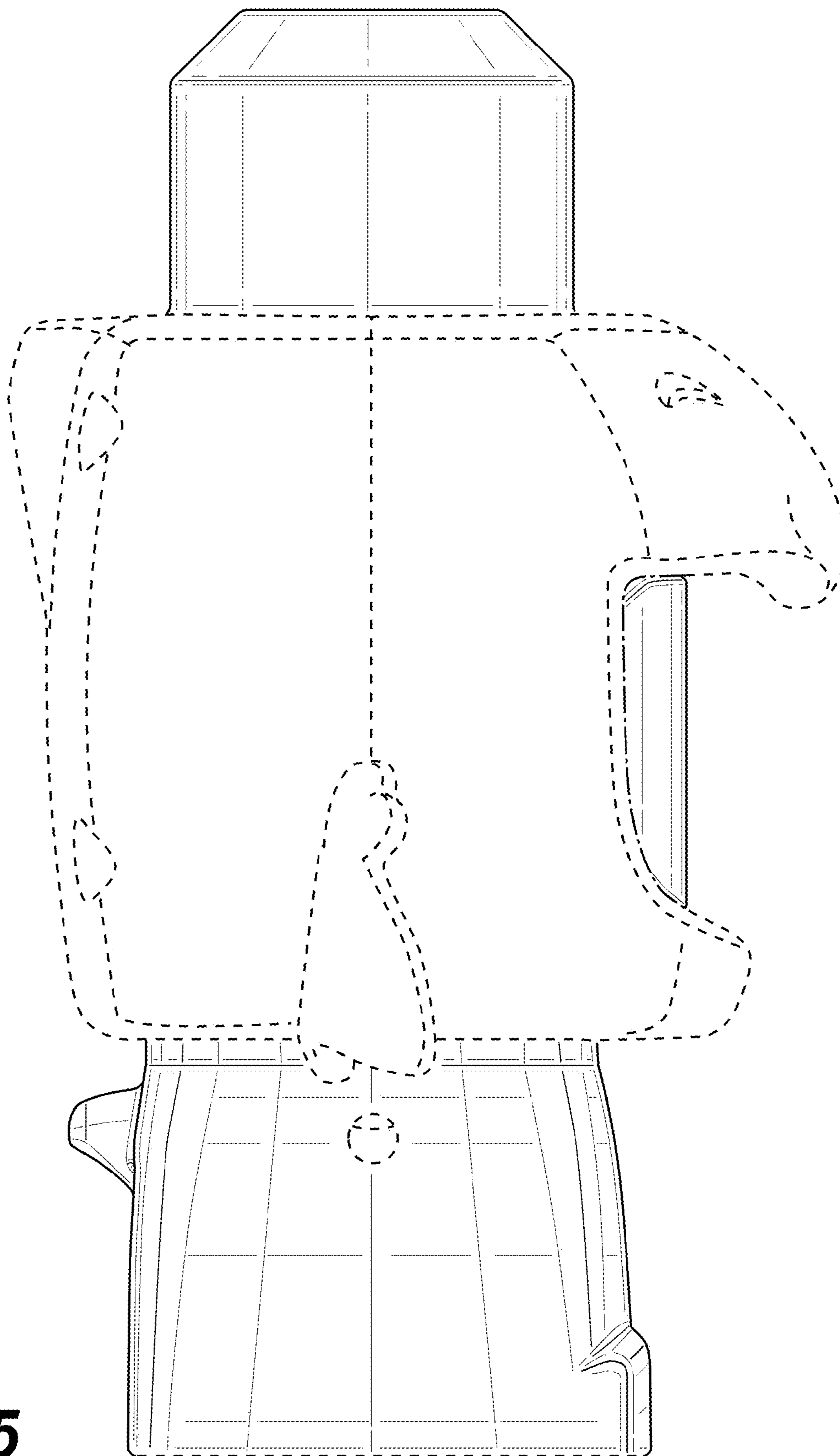


FIG. 5

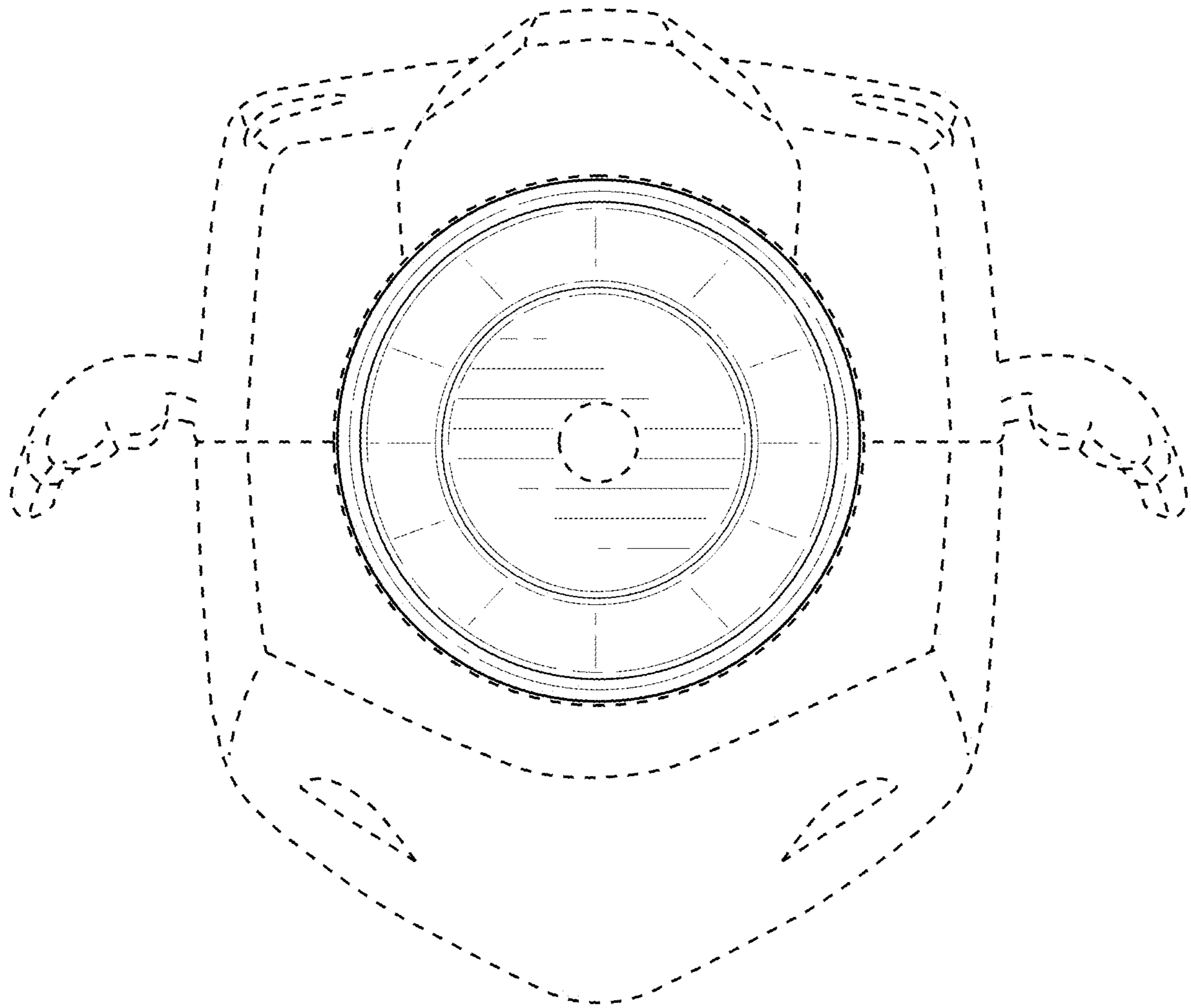


FIG. 6

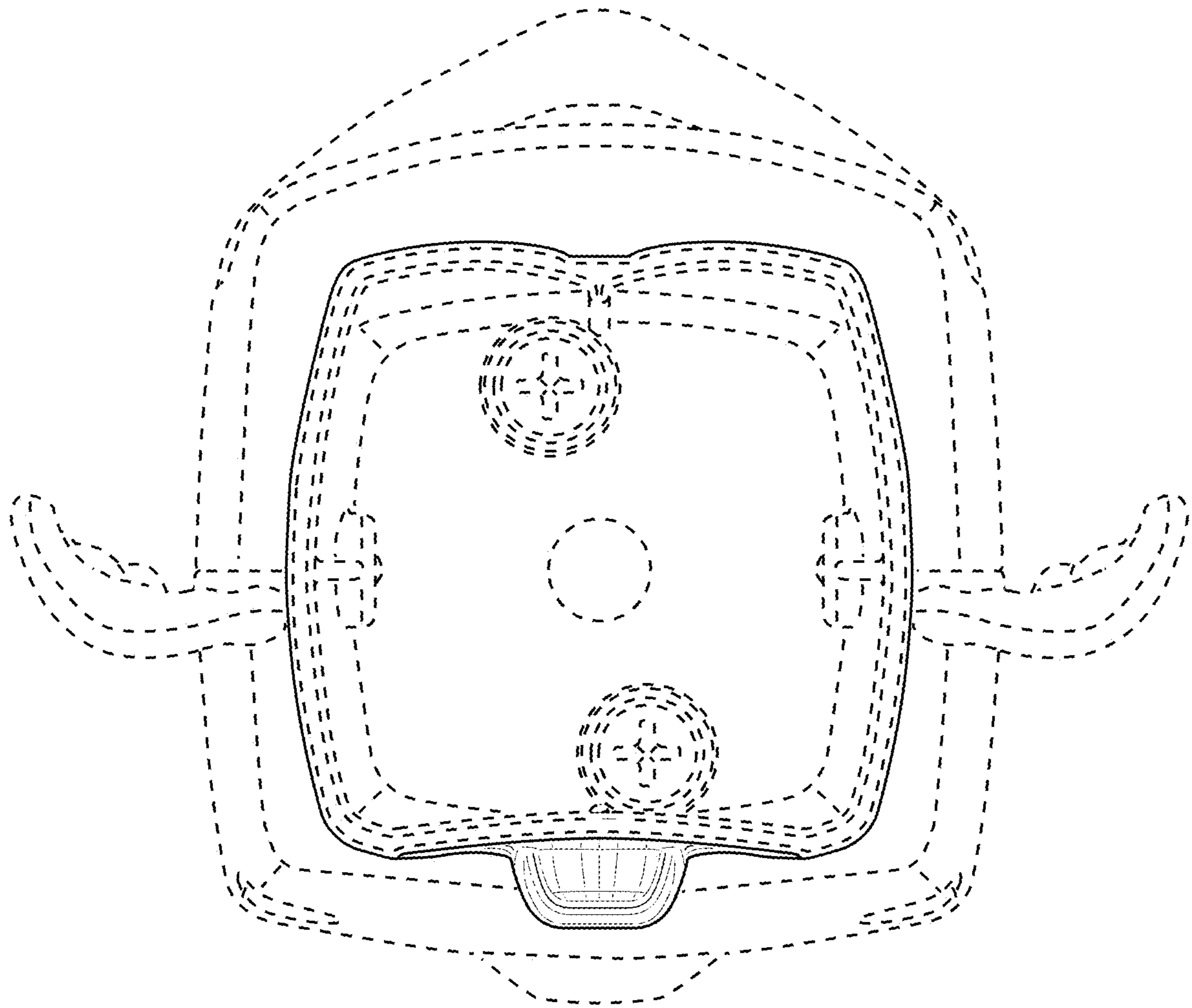


FIG. 7