



US00D988421S

(12) **United States Design Patent**
Peng

(10) **Patent No.:** **US D988,421 S**

(45) **Date of Patent:** **** Jun. 6, 2023**

(54) **ELECTRIC WIGGLE CAR**

(71) Applicant: **Cihua Peng**, Pingxiang (CN)

(72) Inventor: **Cihua Peng**, Pingxiang (CN)

(73) Assignee: **Cihua Peng**, Pingxiang (CN)

(**) Term: **15 Years**

(21) Appl. No.: **29/862,241**

(22) Filed: **Dec. 7, 2022**

(51) **LOC (14) Cl.** **21-03**

(52) **U.S. Cl.**

USPC **D21/433**

(58) **Field of Classification Search**

USPC D21/419–435, 533–539, 548–551;
D12/1, 16

CPC A63H 30/04; A63H 17/262; A63H 17/26;
A63H 18/02; A63H 2200/00; A63H
29/22; A63H 17/36; A63H 33/26; A63H
17/002; A63H 17/00; A63H 17/32; A63H
18/12; A63H 18/028; A63H 17/008;
A63H 18/16; A63H 33/003; A63H
17/004; A63H 29/24; A63H 17/02; A63H
17/44; A63H 31/00; A63H 3/28; A63H
17/28; A63H 17/40; A63H 29/20; A63H
18/04; A63H 18/08; A63H 33/00; A63H
33/042; A63H 3/52; A63H 18/026; A63H
17/395; A63H 33/086; A63H 33/22;
A63H 17/264; A63H 18/00; A63H 18/14;
A63H 30/00; A63H 17/34; A63H 18/06;
A63H 18/021; A63H 17/14; A63H 19/18;
A63H 27/02; A63H 33/046; A63H
17/266; A63H 29/04; A63H 30/02; A63H
33/08; A63H 17/25; A63H 27/001; A63H
33/30; A63H 33/42; A63H 5/00; A63H
17/006; A63H 17/38; A63H 18/10; A63H
19/30; A63H 23/04; A63H 29/00; A63H
33/006; A63H 2018/165; A63H 3/02;
A63H 11/00; A63H 19/15; A63H 27/14;
A63H 11/10; A63H 18/005; A63H
18/023; A63H 3/00; A63H 3/36; A63H

31/08; A63H 33/16; A63H 15/06; A63H
17/045; A63H 17/12; A63H 27/00; A63H
27/12; A63H 29/18; A63H 33/008; A63H
18/025; A63H 19/24; A63H 23/005;
A63H 23/16; A63H 29/16; A63H 33/044;
A63H 17/05; A63H 3/16; A63H 3/48;
A63H 33/001; A63H 33/088; A63H
33/108; A63H 37/00; A63H 1/04; A63H
13/00; A63H 17/18; A63H 17/42; A63H
3/006; A63H 33/06; A63H 33/101; A63H
33/18; A63H 33/32;

(Continued)

(56) **References Cited**

U.S. PATENT DOCUMENTS

D448,430 S * 9/2001 Wang D21/424
D464,999 S * 10/2002 Gu D21/419

(Continued)

Primary Examiner — Khawaja Anwar

(74) *Attorney, Agent, or Firm* — Nitin Kaushik

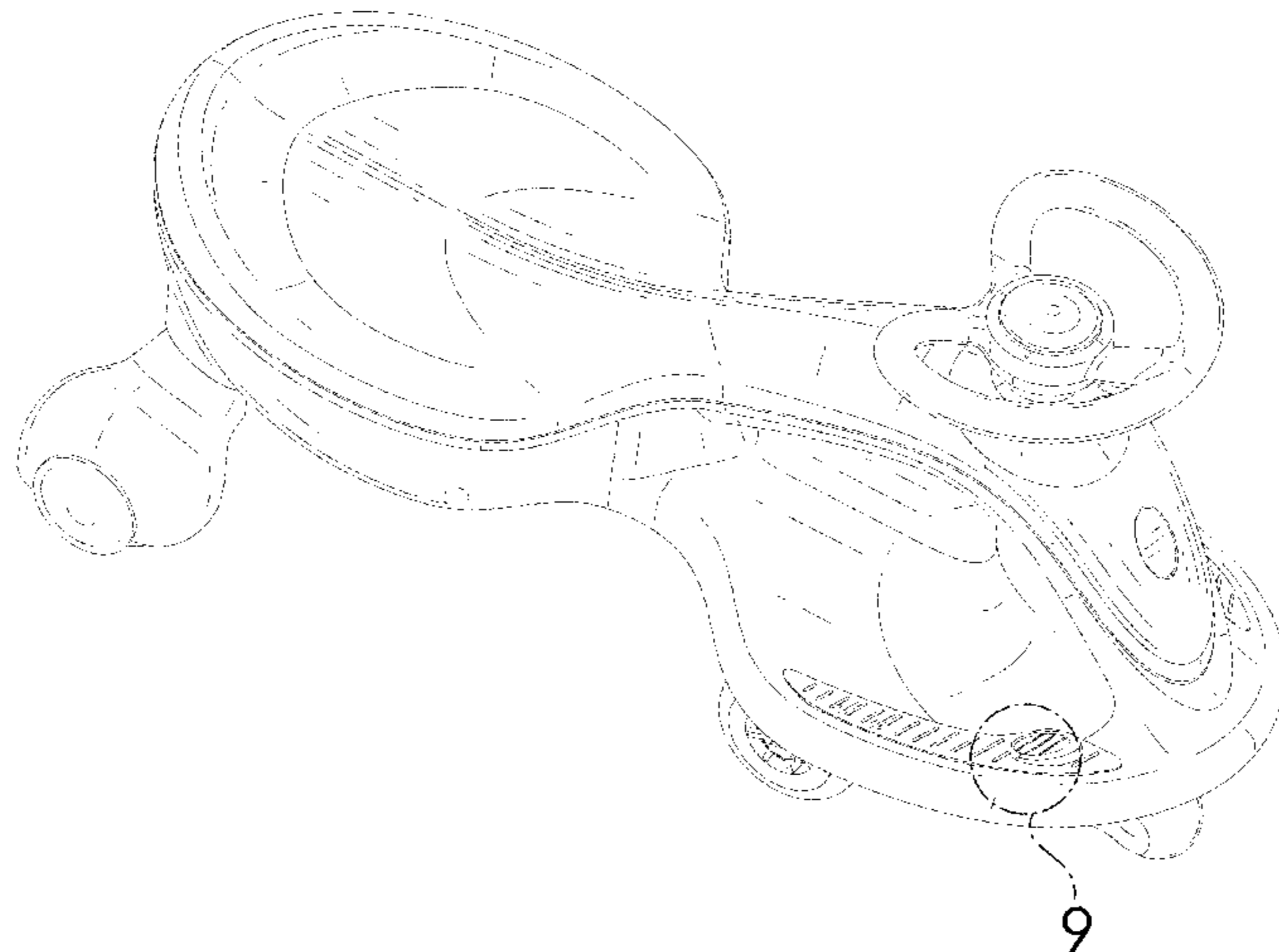
(57) **CLAIM**

The ornamental design for an electric wiggler car, as shown and described.

DESCRIPTION

FIG. 1 is a top perspective view of an electric wiggler car, showing my new design;
FIG. 2 is a bottom perspective view thereof;
FIG. 3 is a front view thereof;
FIG. 4 is a rear view thereof;
FIG. 5 is a left side view thereof;
FIG. 6 is a right side view thereof;
FIG. 7 is a top view thereof;
FIG. 8 is a bottom view thereof; and,
FIG. 9 is a partial enlargement of FIG. 1.
The broken lines in the drawings illustrate the portions of the electric wiggler car, which form no part of the claimed design.

1 Claim, 9 Drawing Sheets



(58) **Field of Classification Search**

CPC . A63H 9/00; A63H 1/06; A63H 17/06; A63H 17/21; A63H 19/22; A63H 3/003; A63H 3/06; A63H 3/50; A63H 31/02; A63H 33/005; A63H 33/062; A63H 33/28; A63H 11/04; A63H 11/06; A63H 11/20; A63H 18/002; A63H 27/005; A63H 27/10; A63H 29/02; A63H 3/005; A63H 3/365; A63H 33/082; A63H 33/10; A63H 33/106; A63H 11/08; A63H 13/06; A63H 19/00; A63H 19/34; A63H 19/36; A63H 2027/1066; A63H 21/04; A63H 23/12; A63H 29/10; A63H 3/04; A63H 33/04; A63H 33/102; A63H 33/105; A63H 33/3044; A63H 33/3061; A63H 33/38; A63H 1/00; A63H 1/02; A63H 1/20; A63H 1/30; A63H 13/08; A63H 13/10; A63H 17/268; A63H 19/16; A63H 19/28; A63H 19/32; A63H 2027/1008; A63H 21/00; A63H 23/08; A63H 23/10; A63H 23/14; A63H 27/008; A63H 27/04; A63H 29/08; A63H 3/24; A63H 3/40; A63H 3/46; A63H 33/065; A63H 33/084; A63H 33/103; A63H 33/14; A63H 33/3055; A63H 1/18; A63H 11/12; A63H 11/205; A63H 13/005; A63H 13/02; A63H 13/045; A63H 15/04; A63H 15/08; A63H 17/08; A63H 17/30; A63H 19/20; A63H

2019/365; A63H 2027/1025; A63H 2027/1083; A63H 2027/1091; A63H 23/00; A63H 23/06; A63H 27/004; A63H 27/007; A63H 29/06; A63H 29/14; A63H 3/14; A63H 3/445; A63H 31/04; A63H 33/004; A63H 33/007; A63H 33/009; A63H 33/02; A63H 33/048; A63H 33/067; A63H 33/107; A63H 33/12; A63H 33/20; A63H 33/3016; A63H 33/305; A63H 33/3072; A63H 33/3094; A63H 33/40; A63H 33/425; A63H 7/00; A63H 7/02; A63H 7/04

See application file for complete search history.

(56)

References Cited

U.S. PATENT DOCUMENTS

D472,501	S	4/2003	Song	
6,860,497	B2 *	3/2005	Wang	B62M 1/00 280/87.051
D589,851	S *	4/2009	Jane Santamaria	D12/130
D620,539	S *	7/2010	Badanjo	D21/551
D640,755	S *	6/2011	Herlitz	D21/433
D679,337	S *	4/2013	Lai	D21/419
D762,783	S *	8/2016	Maslov	D21/433
D912,737	S *	3/2021	Bao	D21/424
D916,201	S *	4/2021	Zemskov	D21/433

* cited by examiner

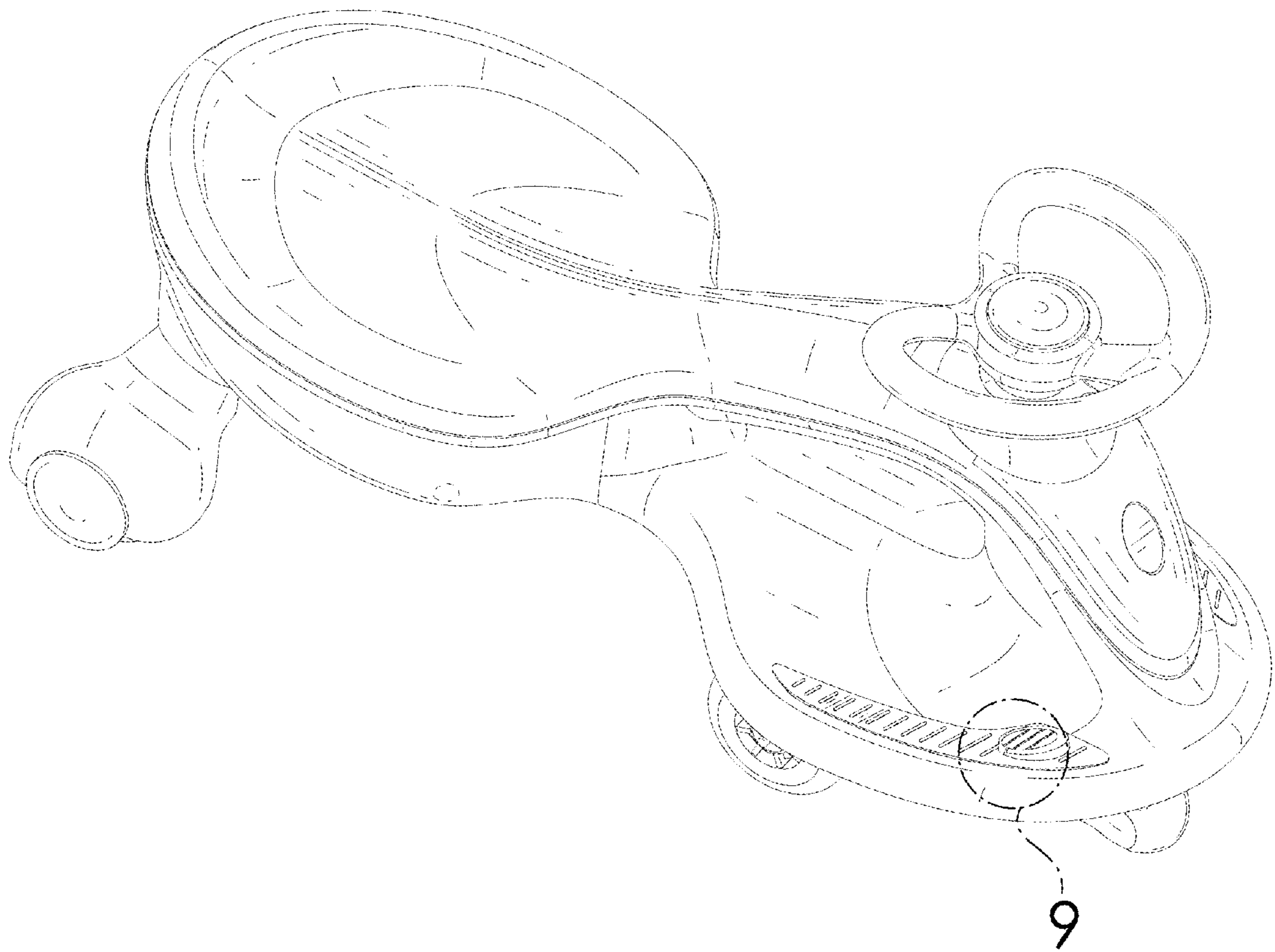


FIG. 1

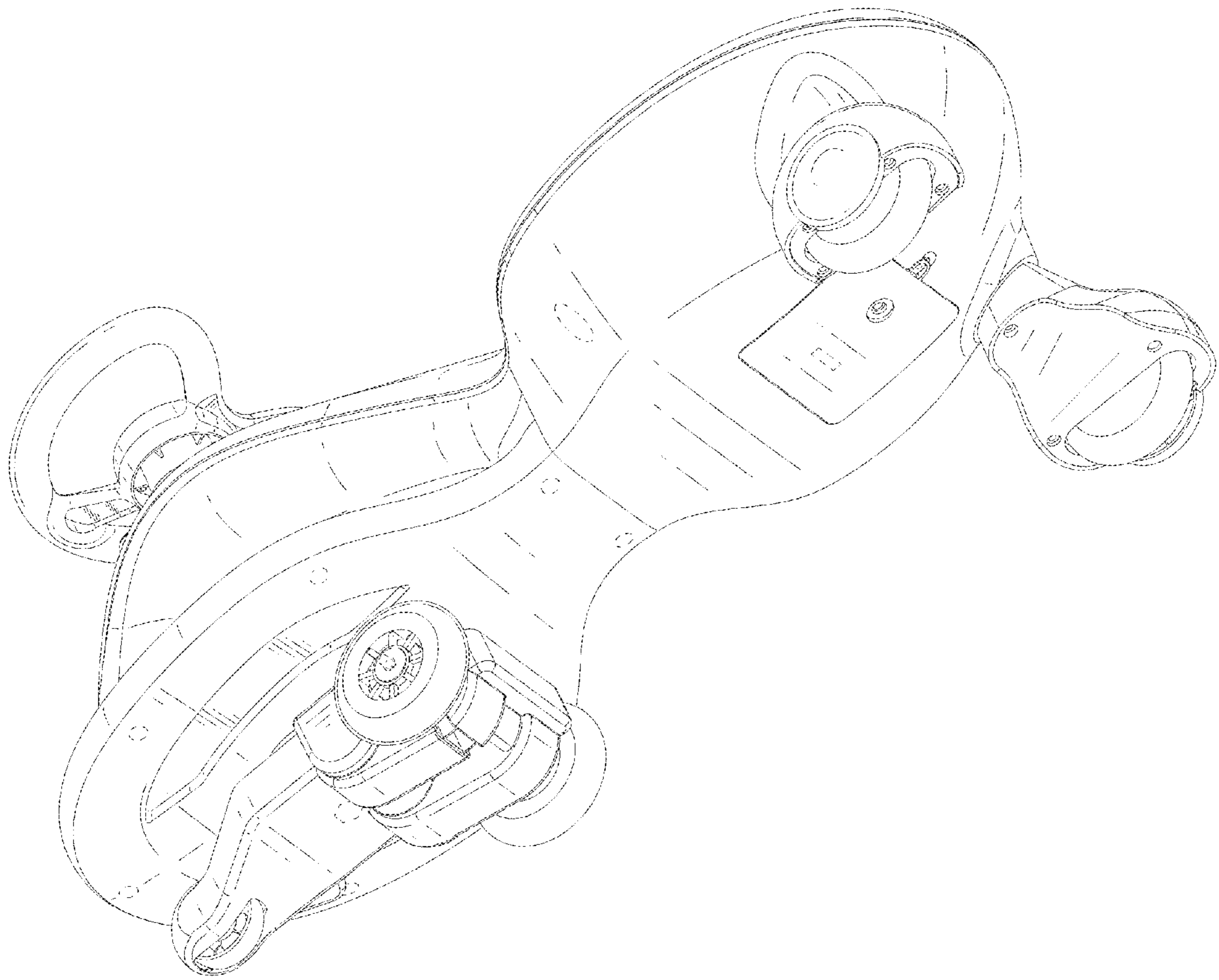


FIG. 2

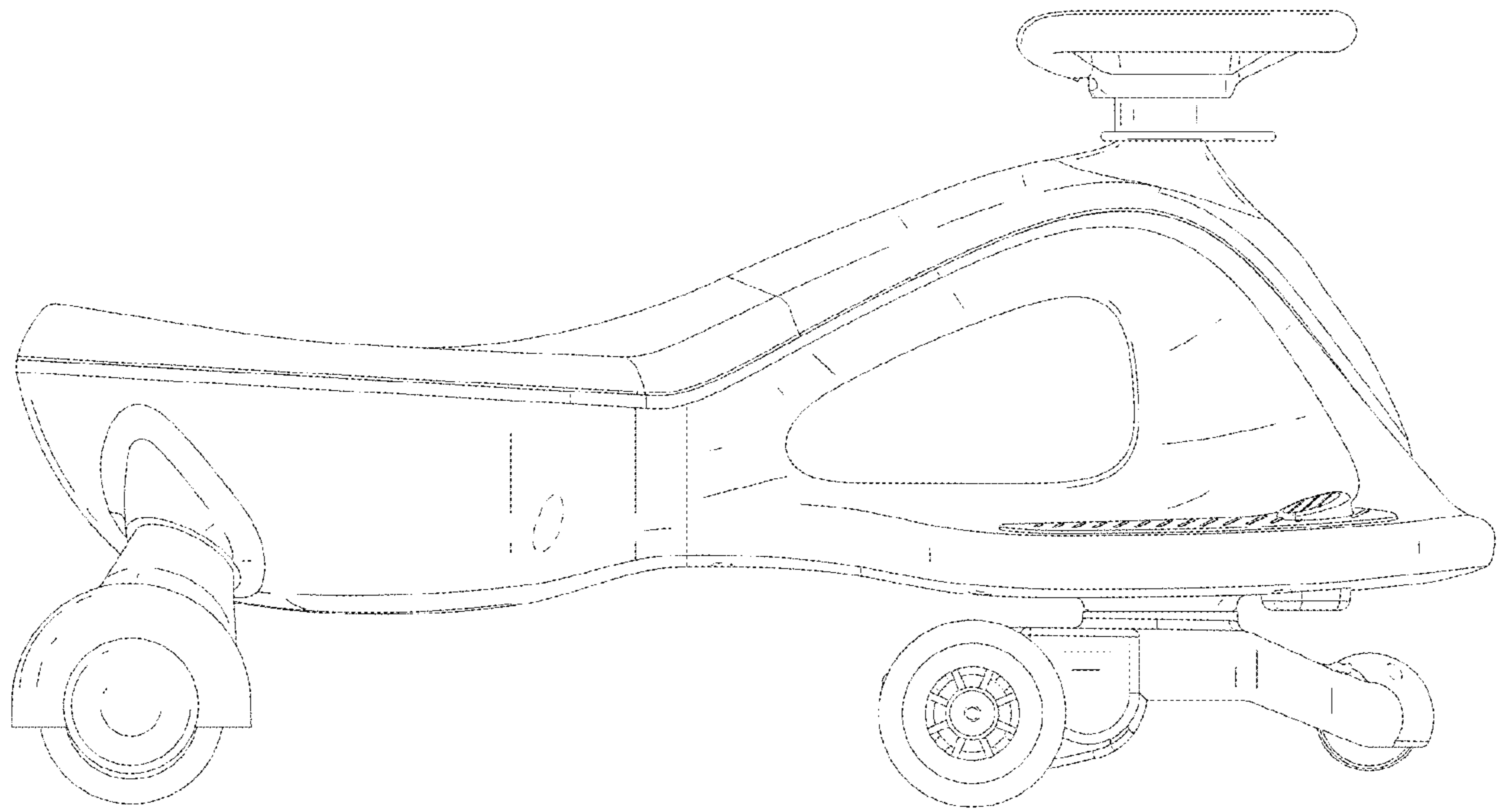


FIG. 3

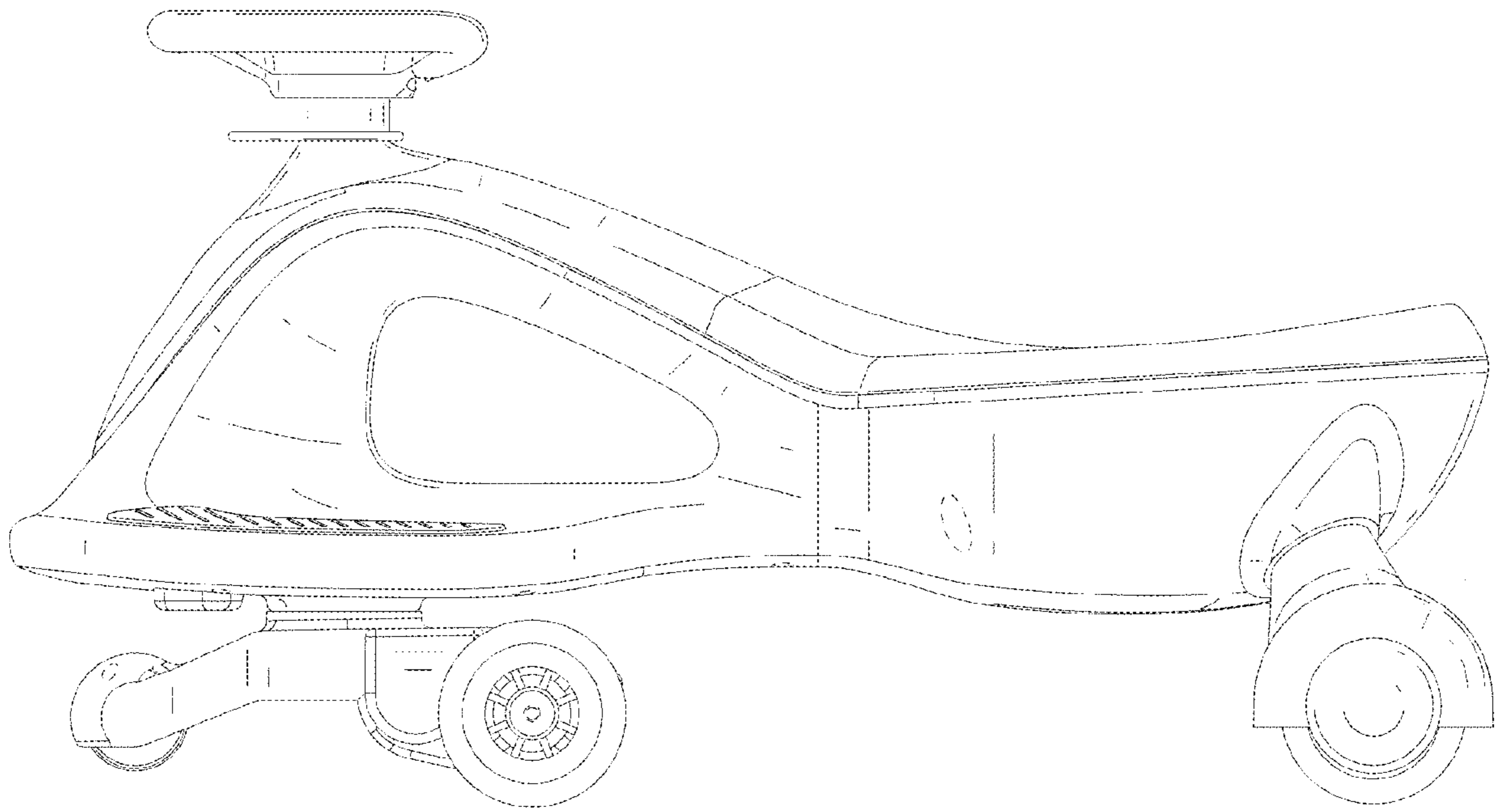


FIG. 4

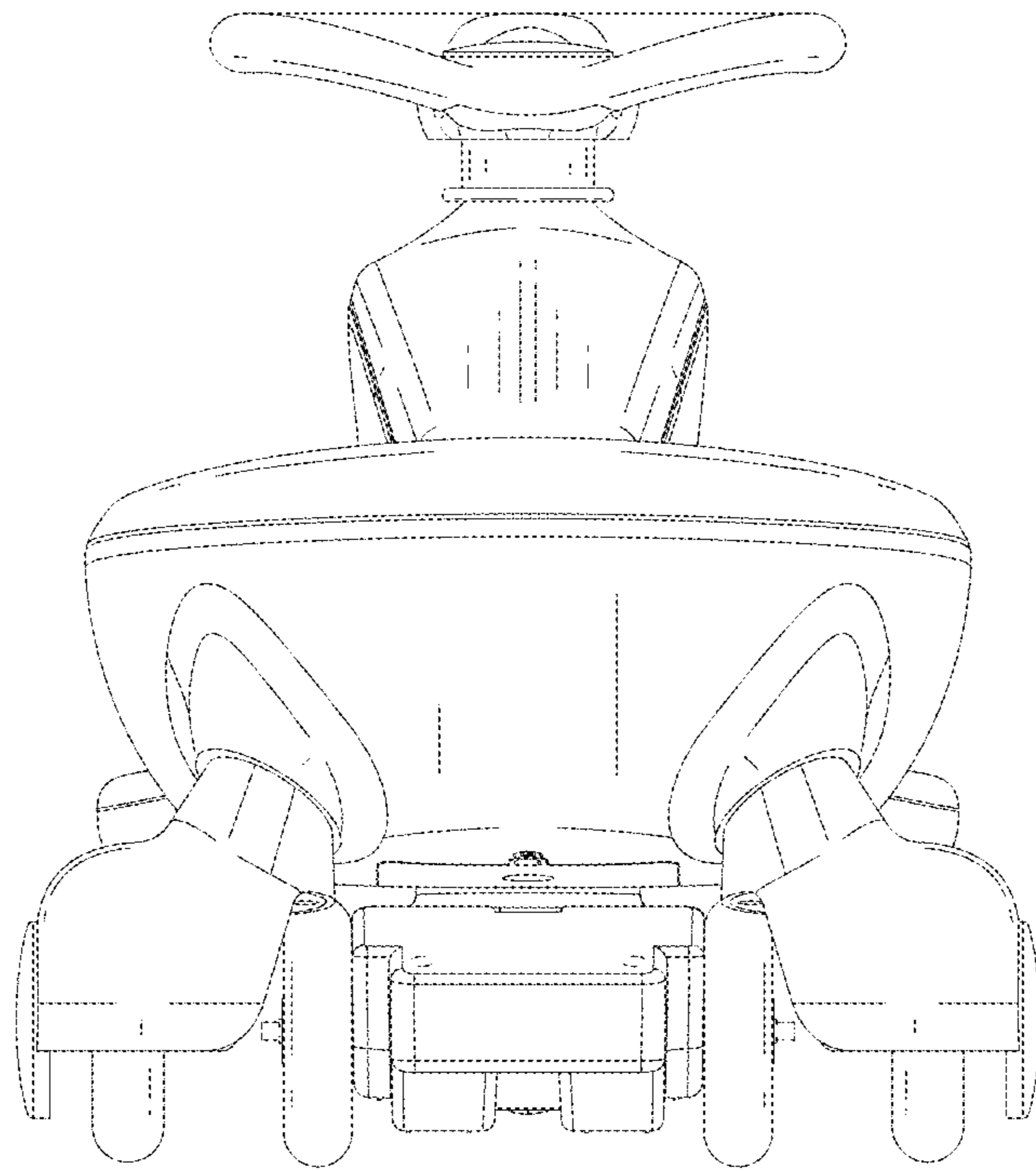


FIG. 5

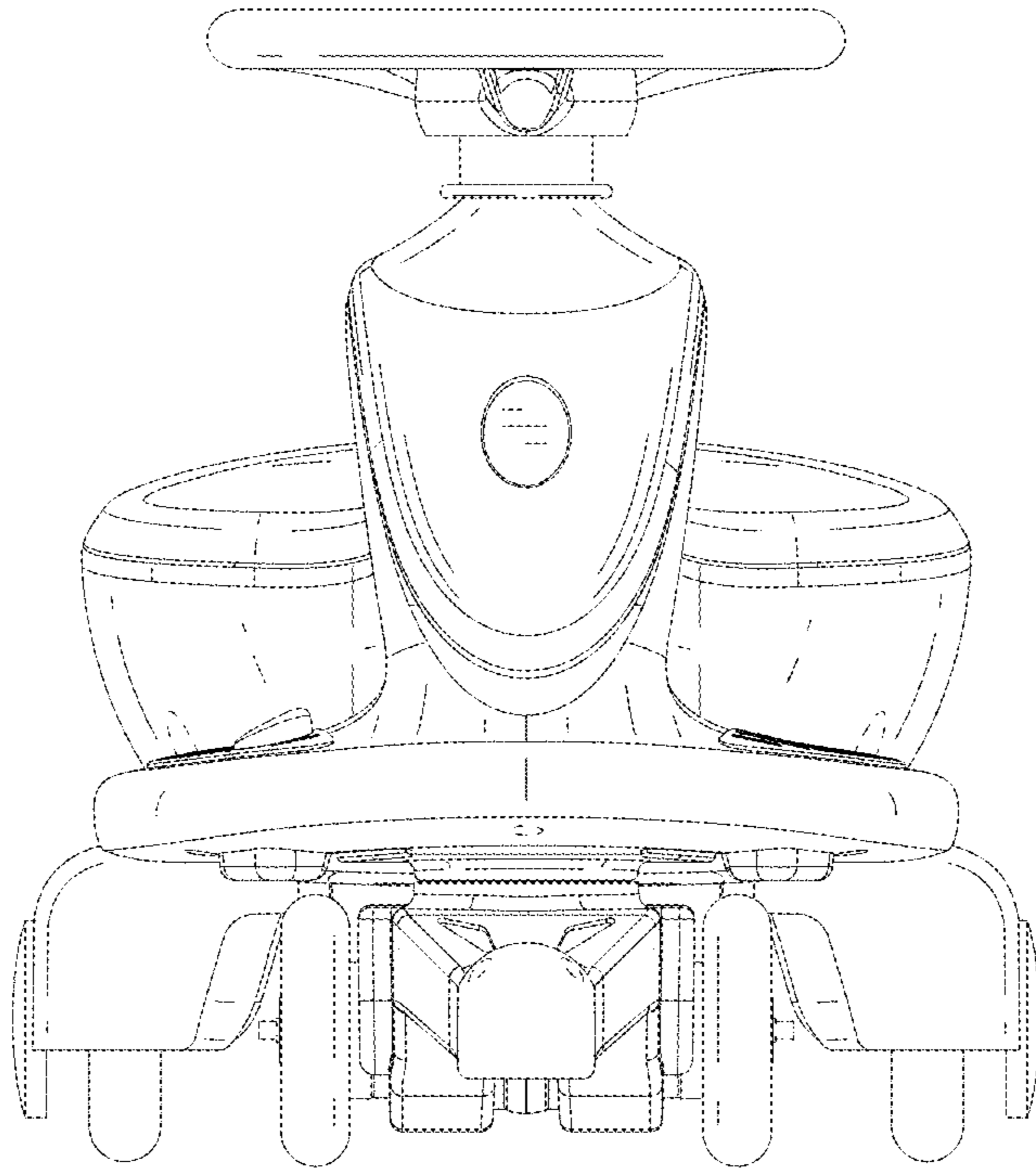


FIG. 6

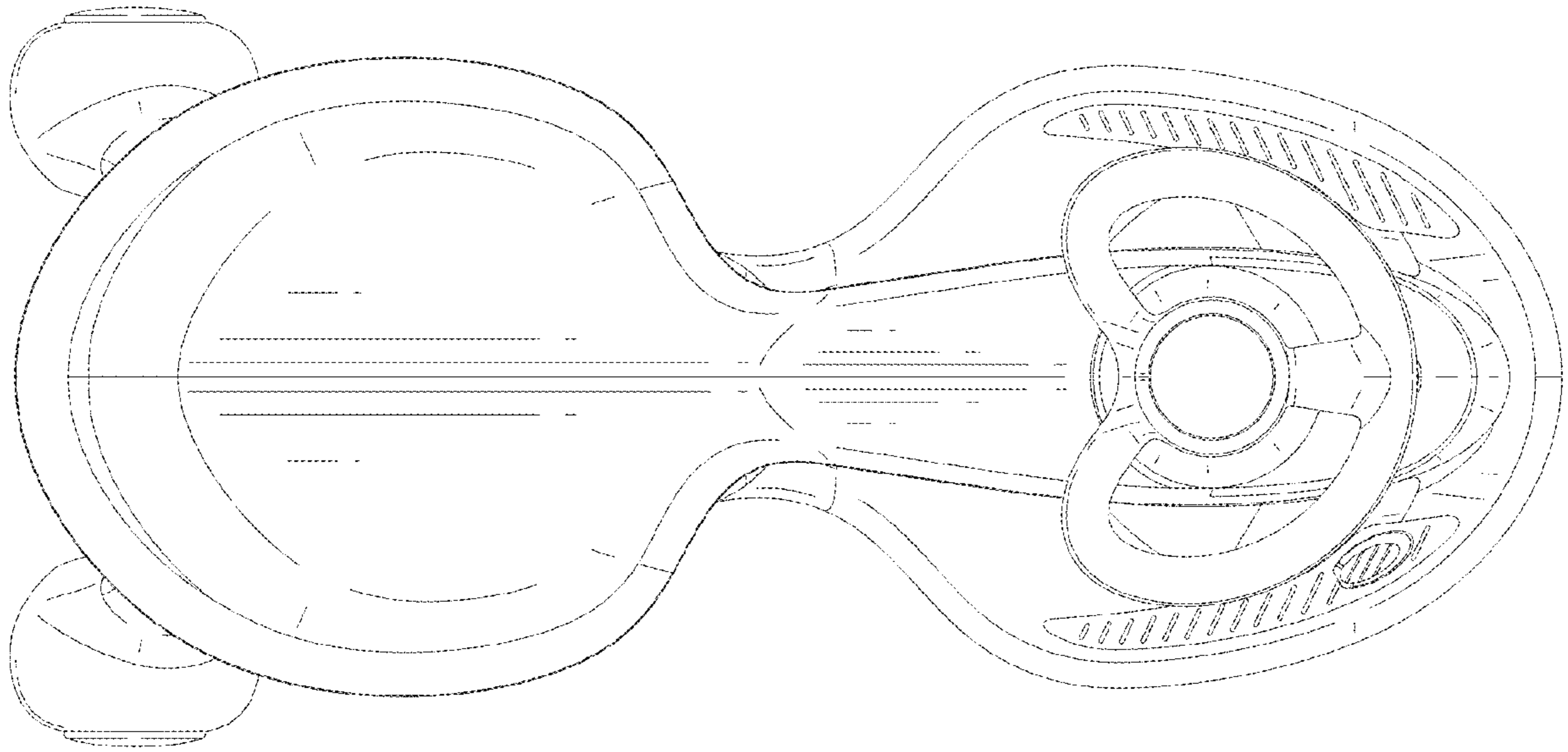


FIG. 7

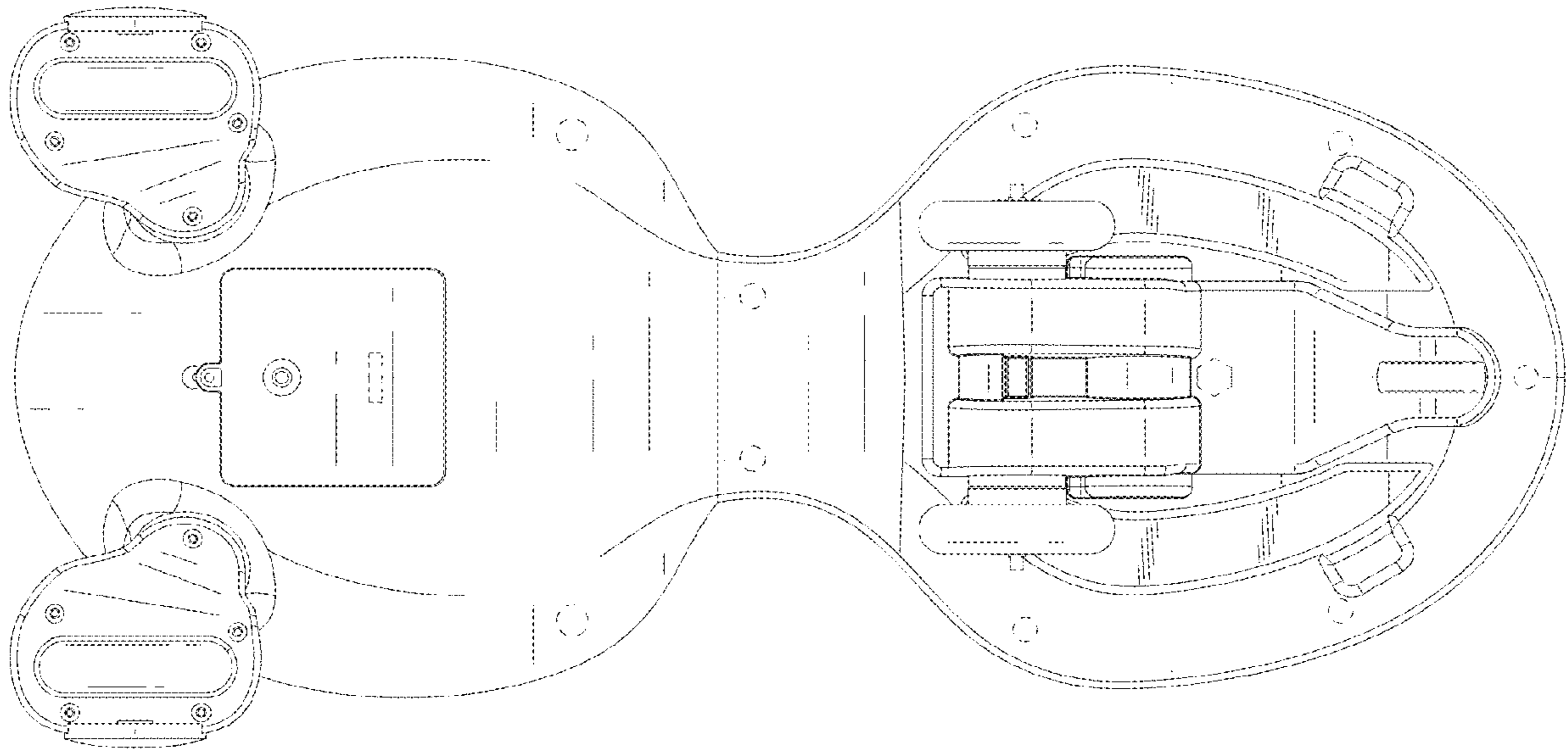


FIG. 8

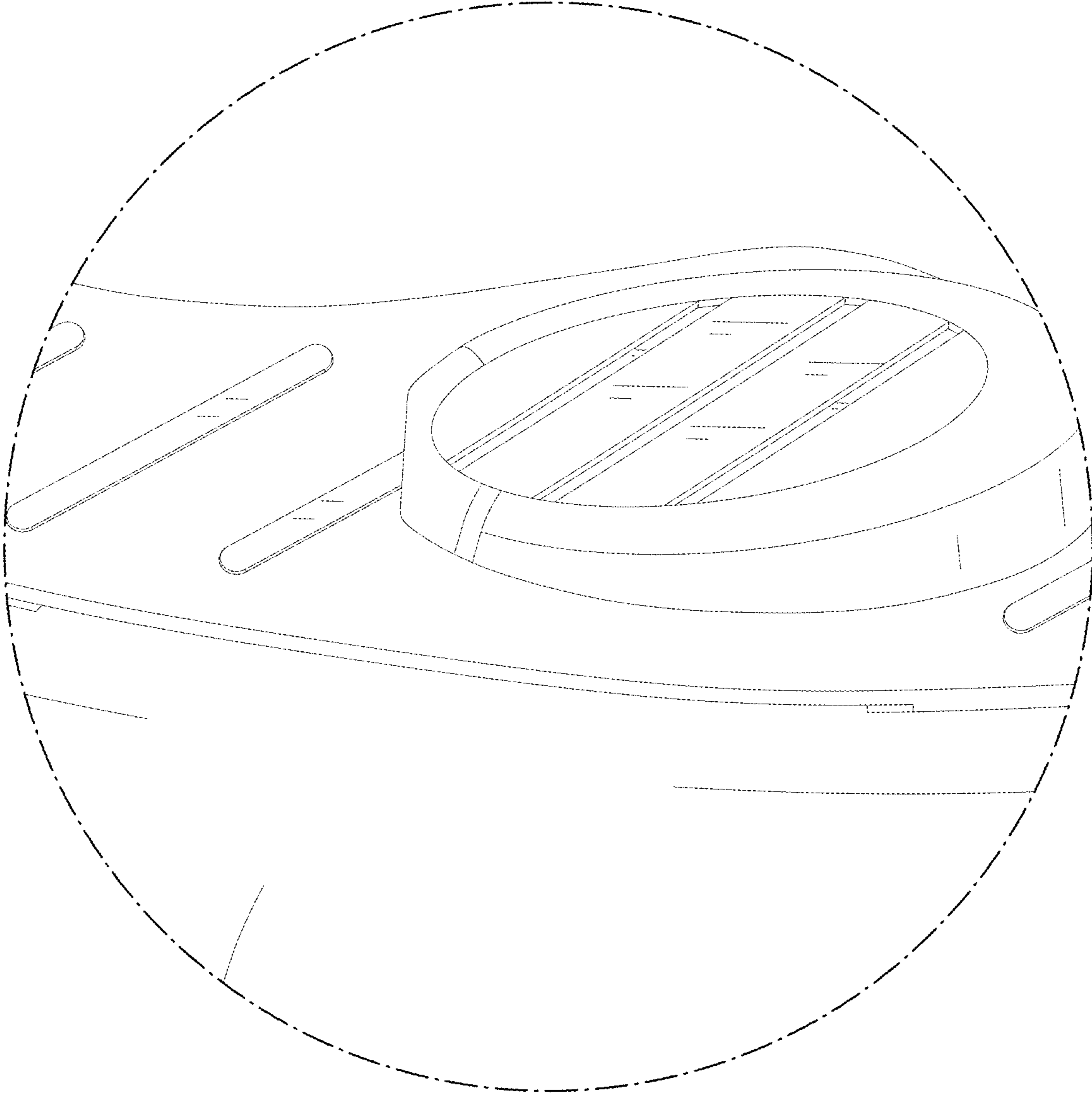


FIG. 9