



US00D988419S

(12) **United States Design Patent** (10) **Patent No.:** **US D988,419 S**
Tingler (45) **Date of Patent:** **** Jun. 6, 2023**

(54) **TABLE**

(71) Applicant: **VISIONAT INTERNATIONAL LIMITED**, Wanchai (HK)

(72) Inventor: **Chris Tingler**, Houston, TX (US)

(73) Assignee: **VISIONAT INTERNATIONAL LIMITED**, Wanchai (HK)

(**) Term: **15 Years**

(21) Appl. No.: **29/763,835**

(22) Filed: **Dec. 24, 2020**

(51) **LOC (14) Cl.** **21-01**

(52) **U.S. Cl.**
USPC **D21/485; D21/522**

(58) **Field of Classification Search**

USPC .. D6/349, 685, 686, 690, 691, 691.1–691.9;
D21/397, 419, 468, 483, 484, 493, 500,
D21/519

CPC A47B 7/00; A47B 13/00; A47B 13/02;
A47B 13/04; A47B 13/06; A47B 13/08;
A47B 13/12; A47B 13/21; A47B
2200/0001; A47B 2200/0011; A47B
2200/002; A47B 37/00; A63H 33/00;
A63H 33/06

See application file for complete search history.

(56) **References Cited**

U.S. PATENT DOCUMENTS

D273,829 S *	5/1984	Desnoyers	D6/691.8
D281,555 S *	12/1985	Levy	D6/691.5
D362,142 S *	9/1995	Lee	D21/522
D382,144 S *	8/1997	Lo	D21/522
D464,089 S *	10/2002	Studebaker	D21/522
D591,535 S *	5/2009	Karsson	D6/675.1
D936,758 S *	11/2021	Chen	D21/552

OTHER PUBLICATIONS

Construction Site Activity Table—Little Peoples Cove <https://www.littlepeoplescove.com/construction-site-activity-table-wb1359/> retrieved from the internet on Jan. 30, 2023.*

Gymax Solid Wood Kids Activity Play Table—Walmart <https://www.walmart.com/reviews/product/501289252> retrieved from the internet on Jan. 30, 2023.*

(Continued)

Primary Examiner — Mary Ann Calabrese

(74) *Attorney, Agent, or Firm* — Troutman Pepper Hamilton Sanders LLP

(57) **CLAIM**

I claim the ornamental design for a table, as shown and described.

DESCRIPTION

FIG. 1 is a top perspective view for a table showing my new design;

FIG. 2 is a bottom perspective view of the design shown in FIG. 1;

FIG. 3 is a front elevation view of the design shown in FIG. 1;

FIG. 4 is a rear elevation view of the design shown in FIG. 1;

FIG. 5 is a left side elevation view of the design shown in FIG. 1;

FIG. 6 is a right side elevation view of the design shown in FIG. 1;

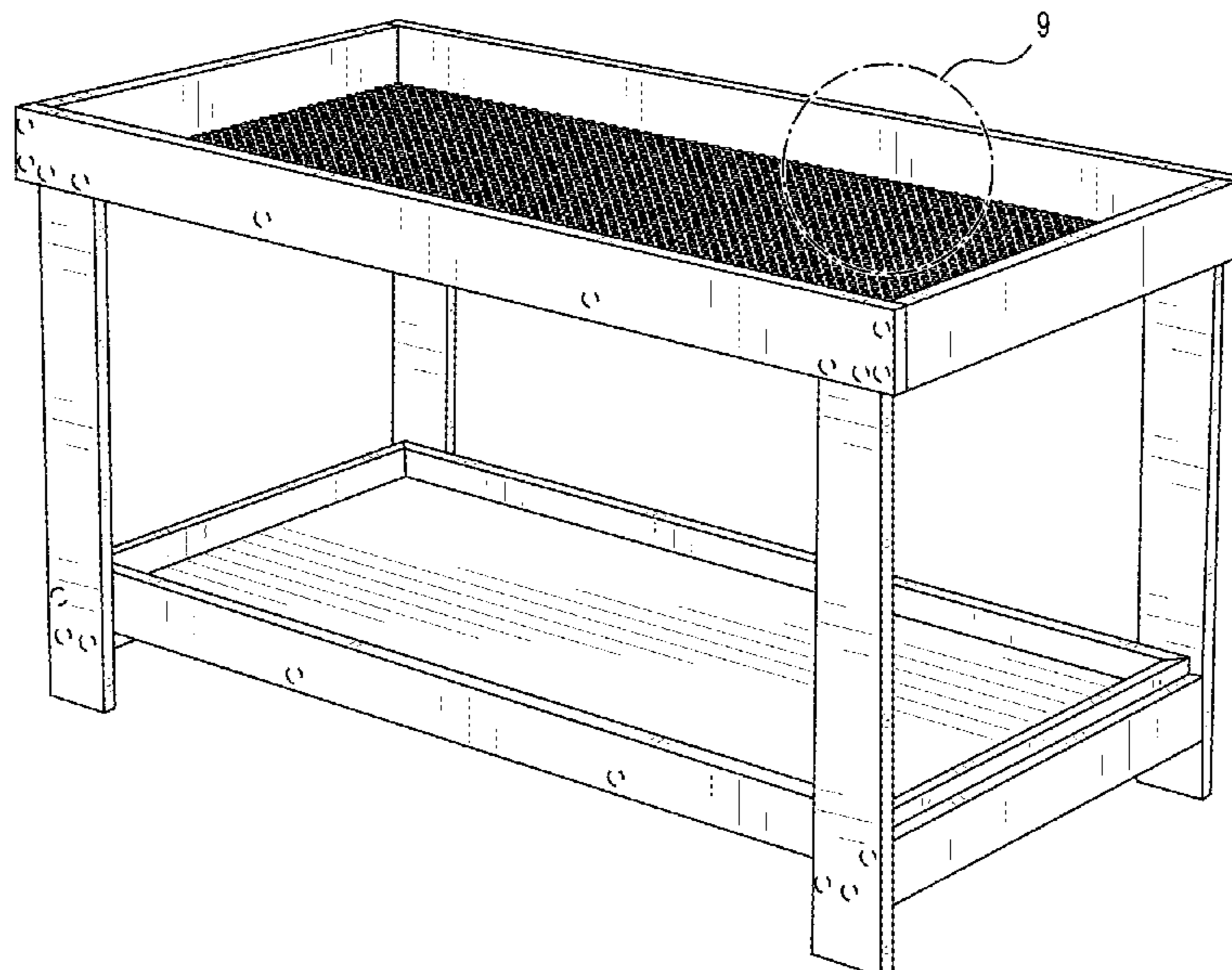
FIG. 7 is a top plan view of the design shown in FIG. 1;

FIG. 8 is a bottom plan view of the design shown in FIG. 1; and,

FIG. 9 is an enlarged detail view taken from the encircled area 9 in FIG. 1.

The broken lines illustrate portions of the table that form no part of the claimed design.

1 Claim, 9 Drawing Sheets



(56)

References Cited

OTHER PUBLICATIONS

Kids Lego Activity Table Chair Set—Kogan <https://www.kogan.com/au/buy/kids-activity-table-chair-set-with-board-storage-building-block-toy-play-study-desk/> retrieved from the internet on Jan. 30, 2023.*

Costzon 2 in 1 Kids Activity Table w/Storage—Amazon, First available Oct. 1, 2020 https://www.amazon.com/dp/B08KHDKN7S/ref=sspa_dk_detail_5?pd_rd_i=B08KHDKN7S&pd retrieved from the internet on Jan. 30, 2023.*

* cited by examiner

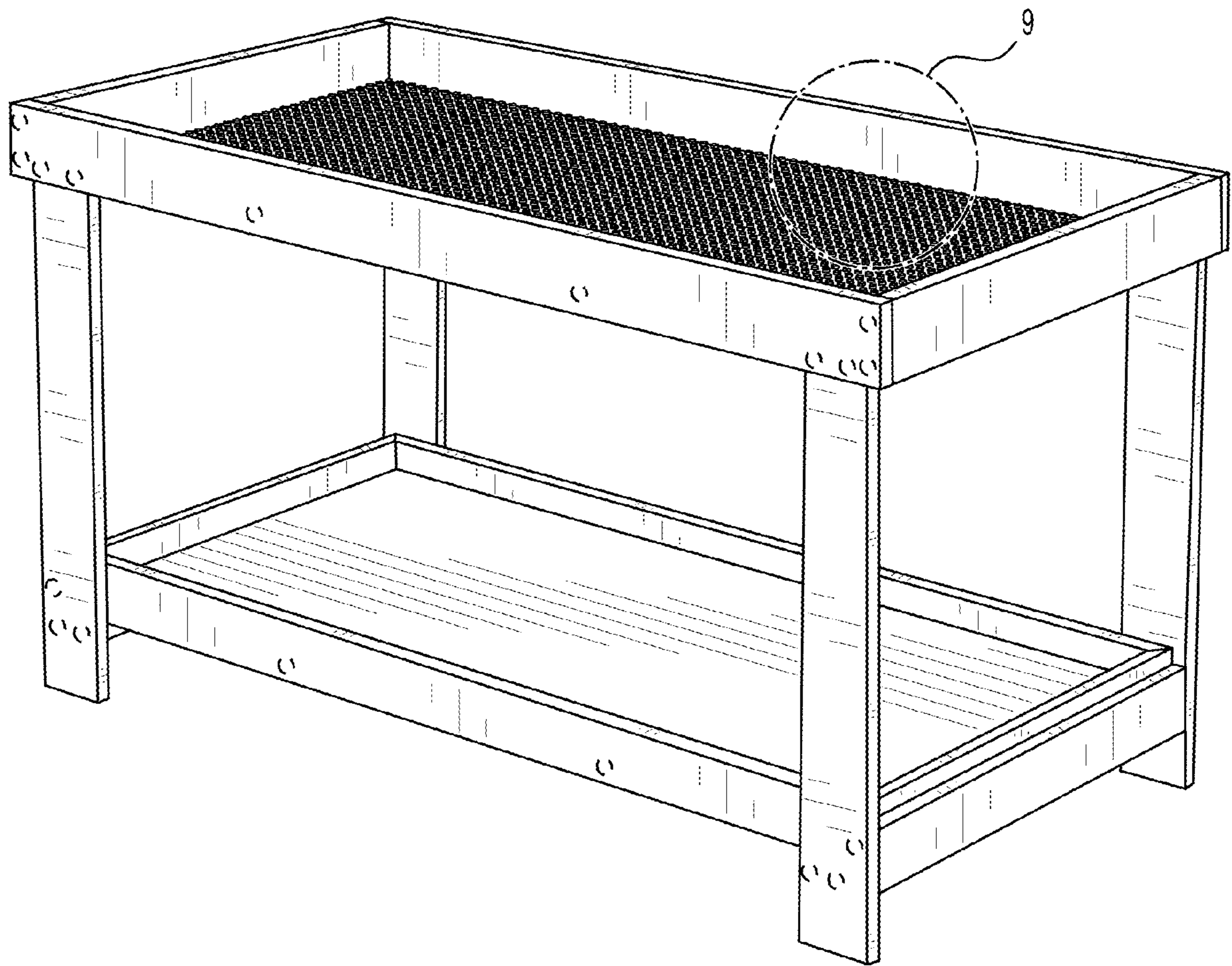


FIG. 1

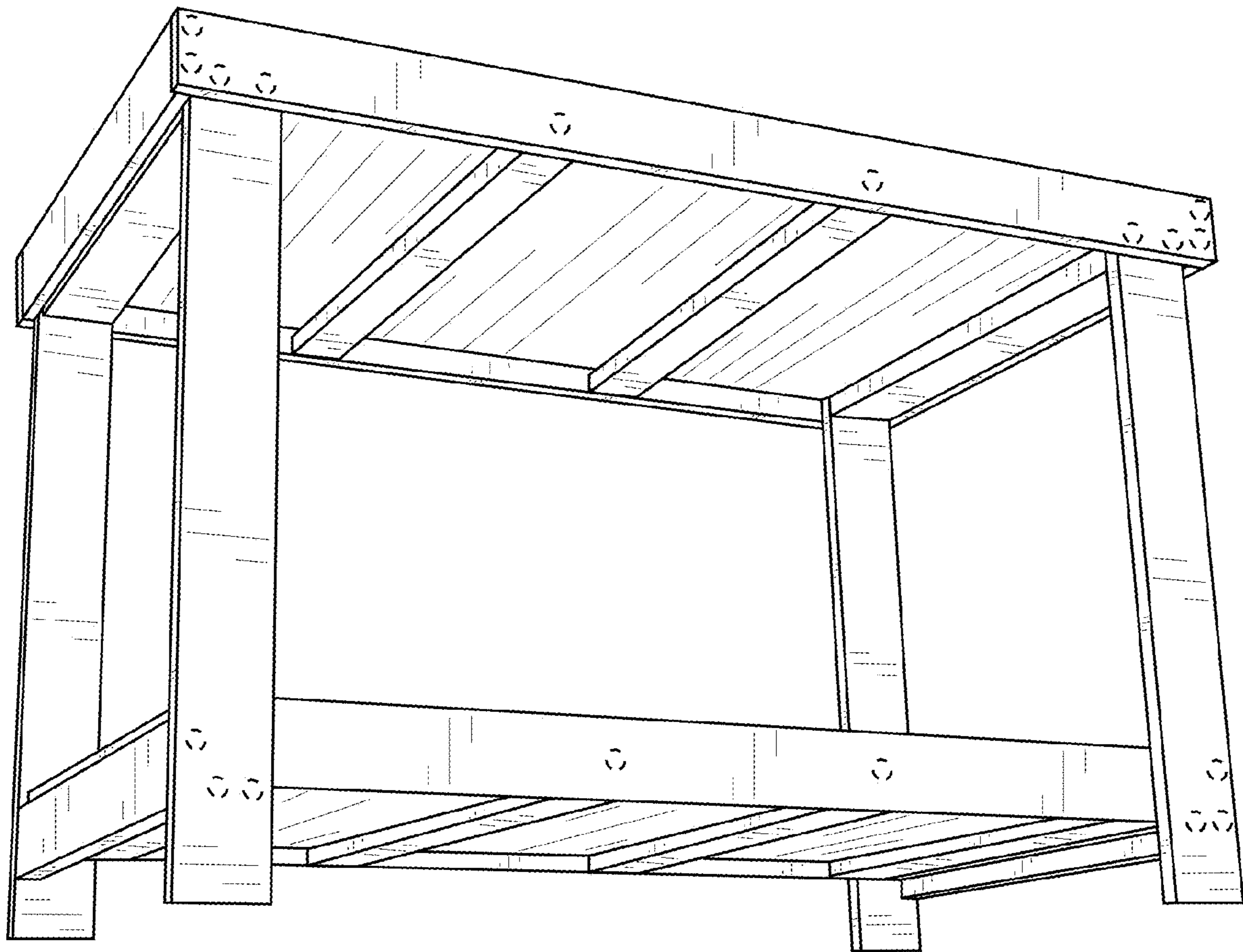


FIG. 2

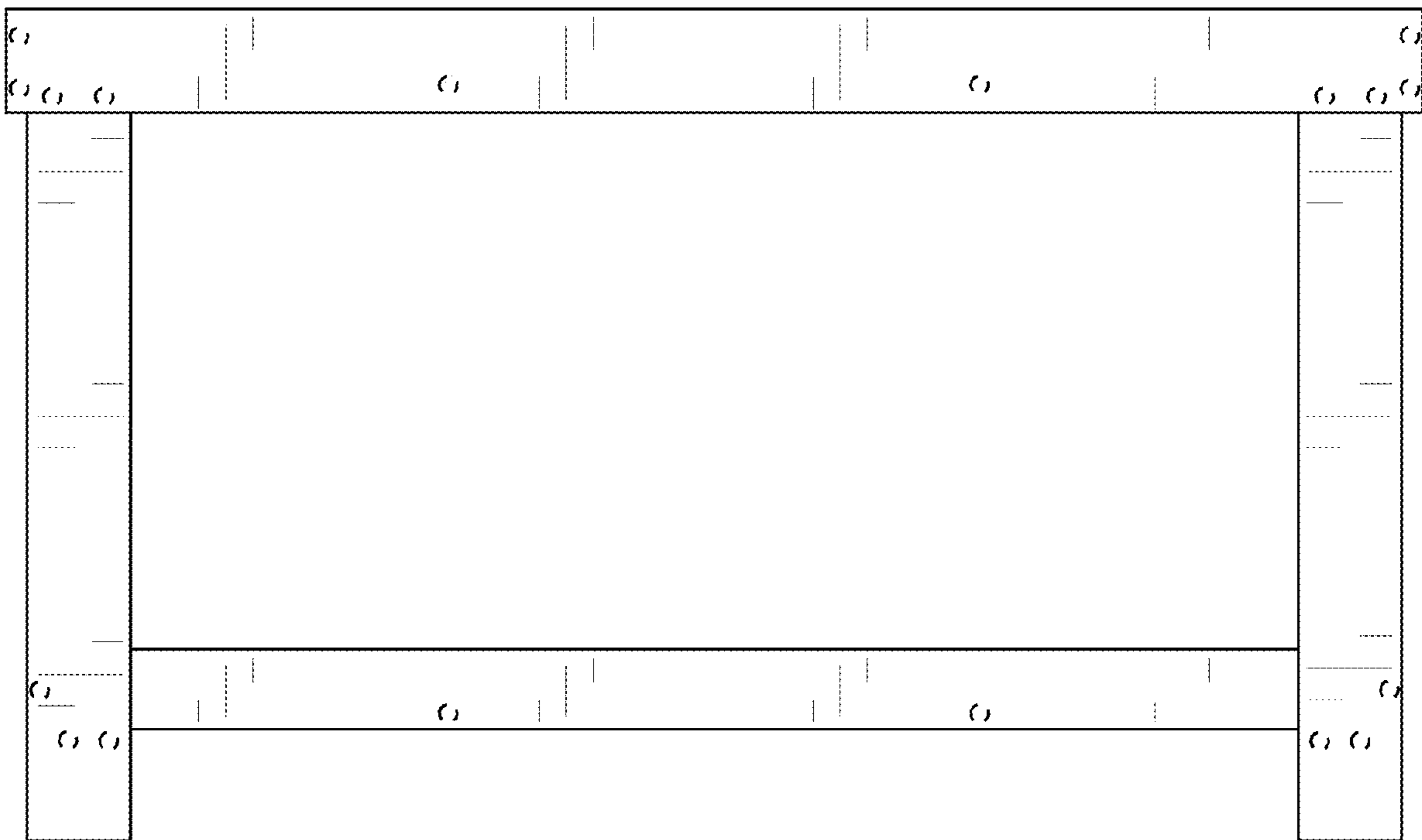


FIG. 3

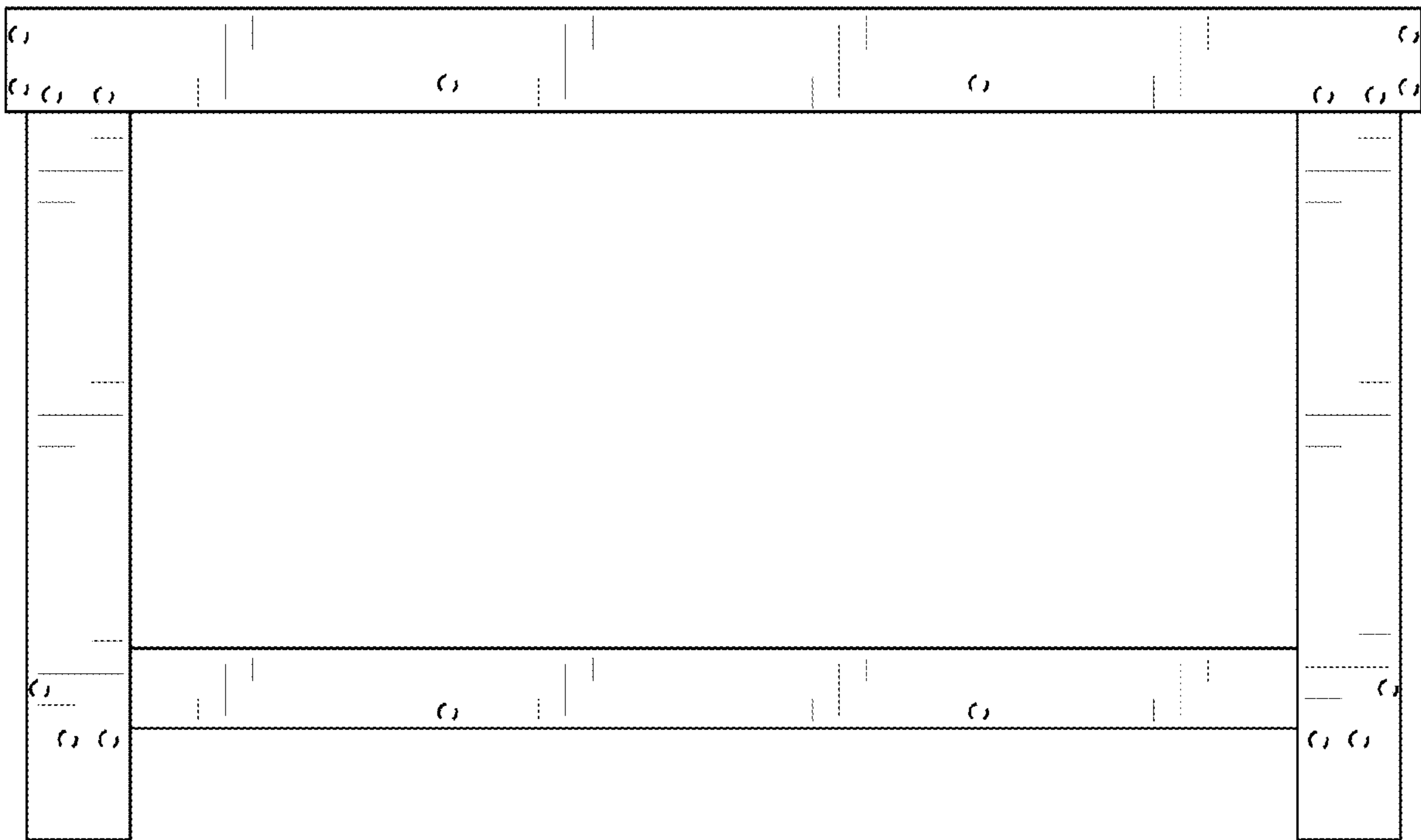


FIG. 4

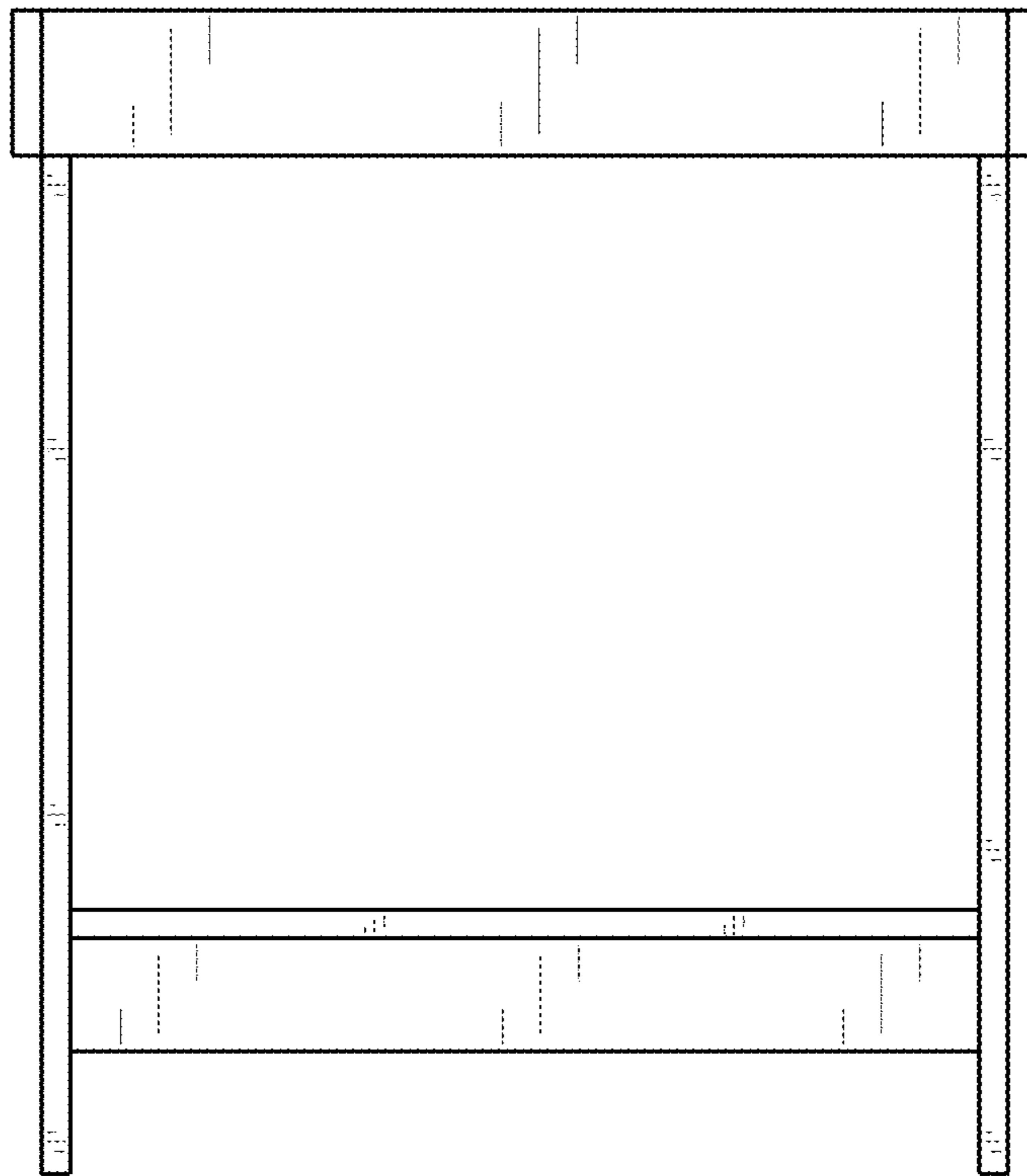


FIG. 5

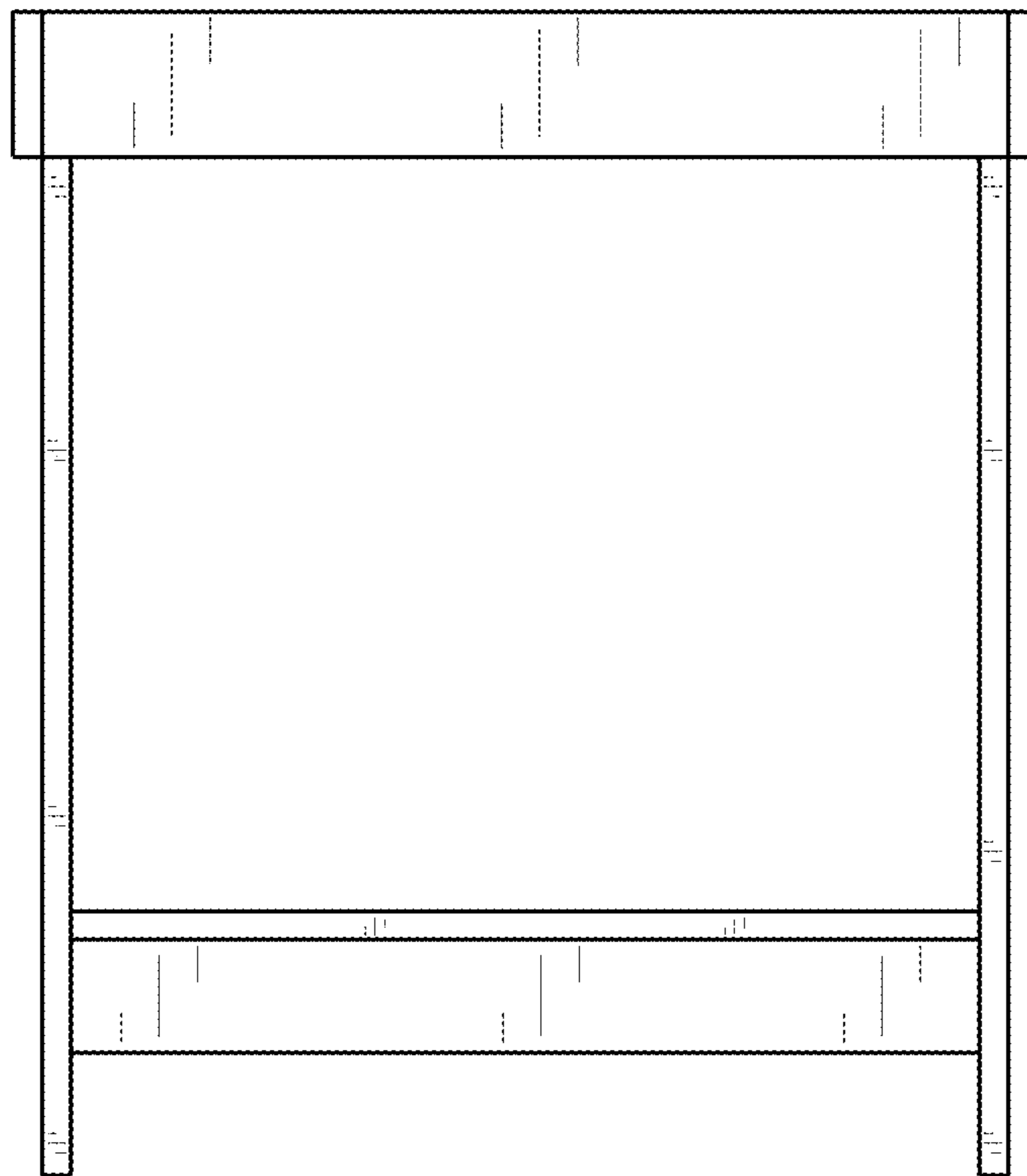


FIG. 6

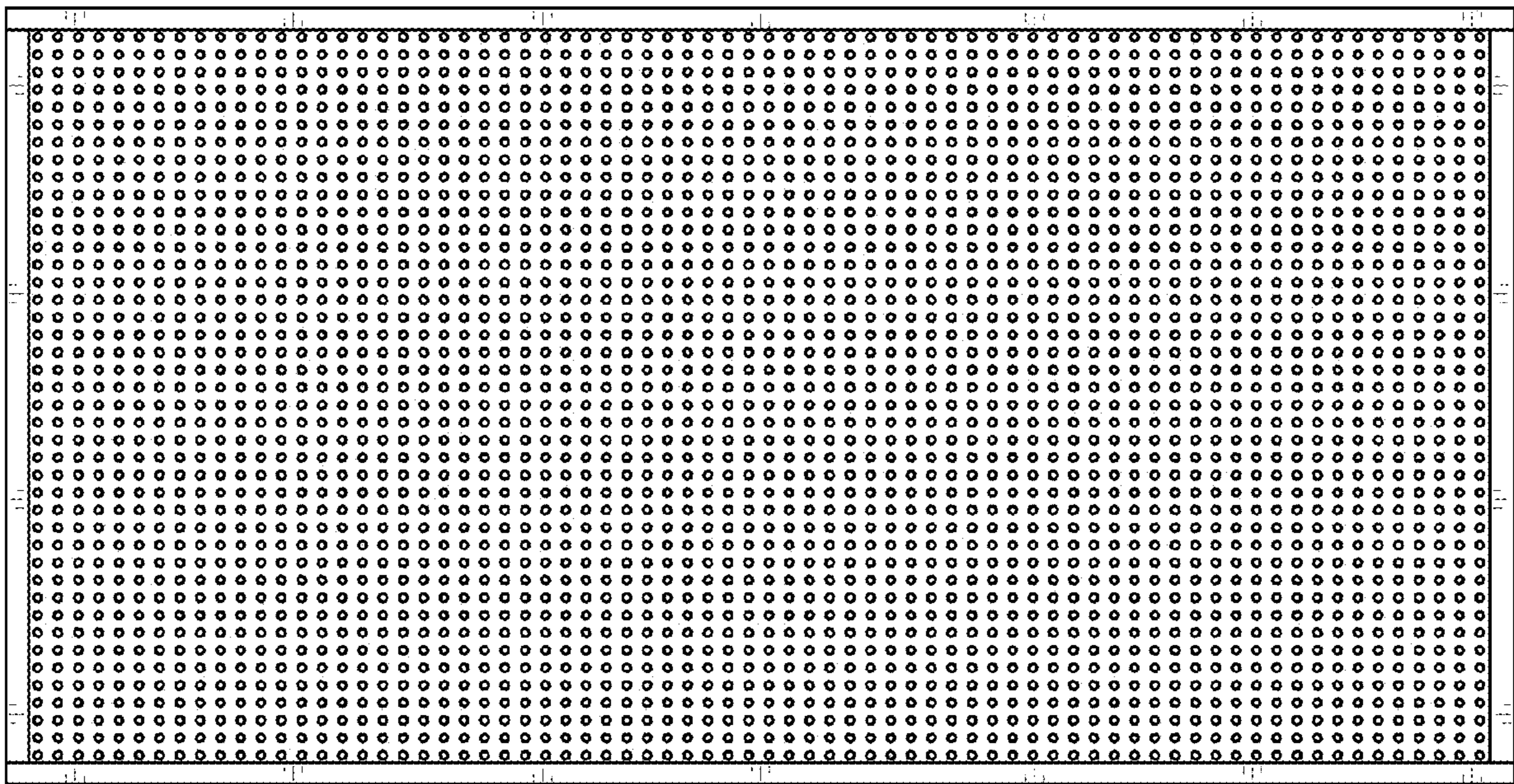


FIG. 7

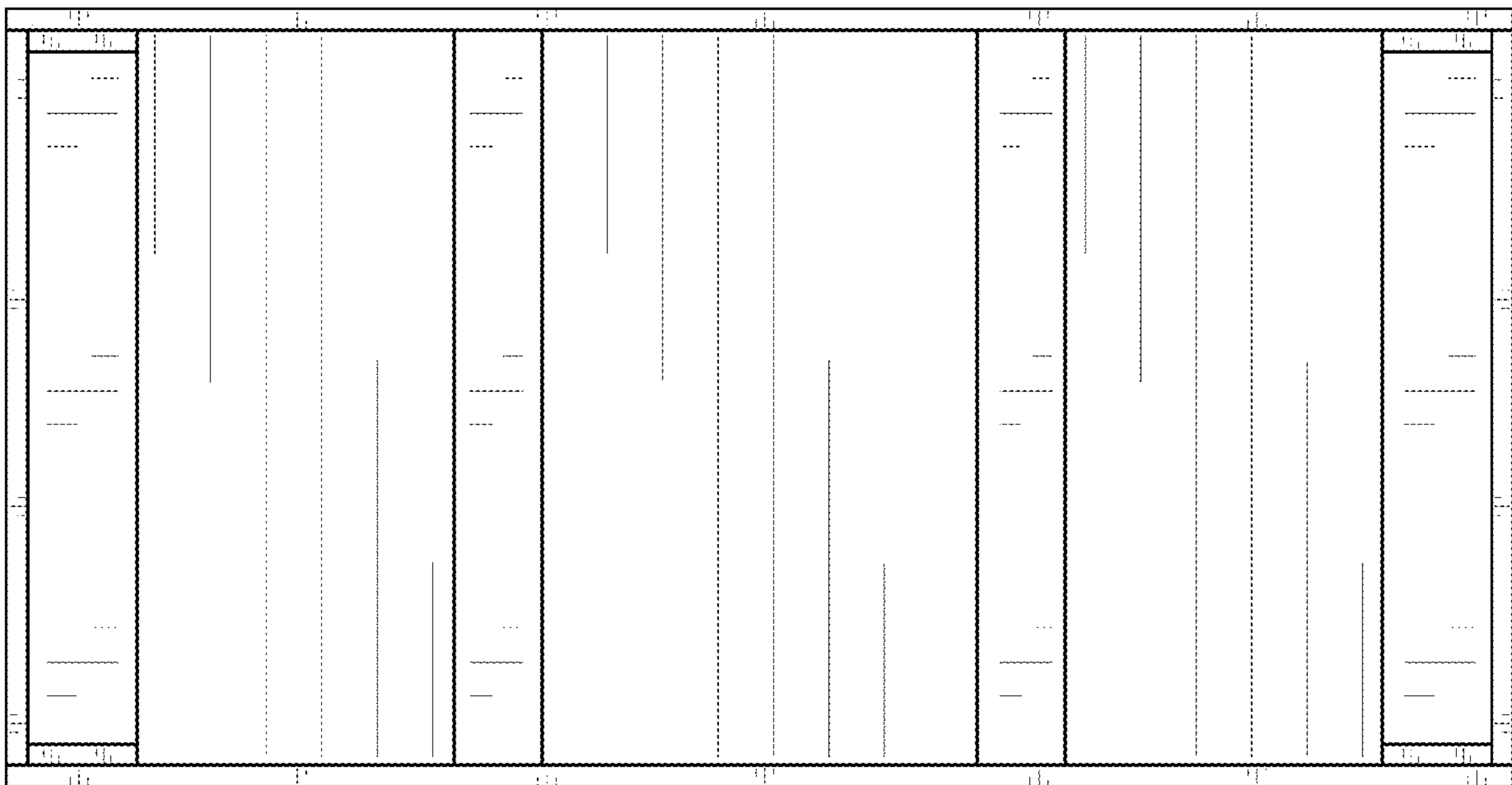


FIG. 8

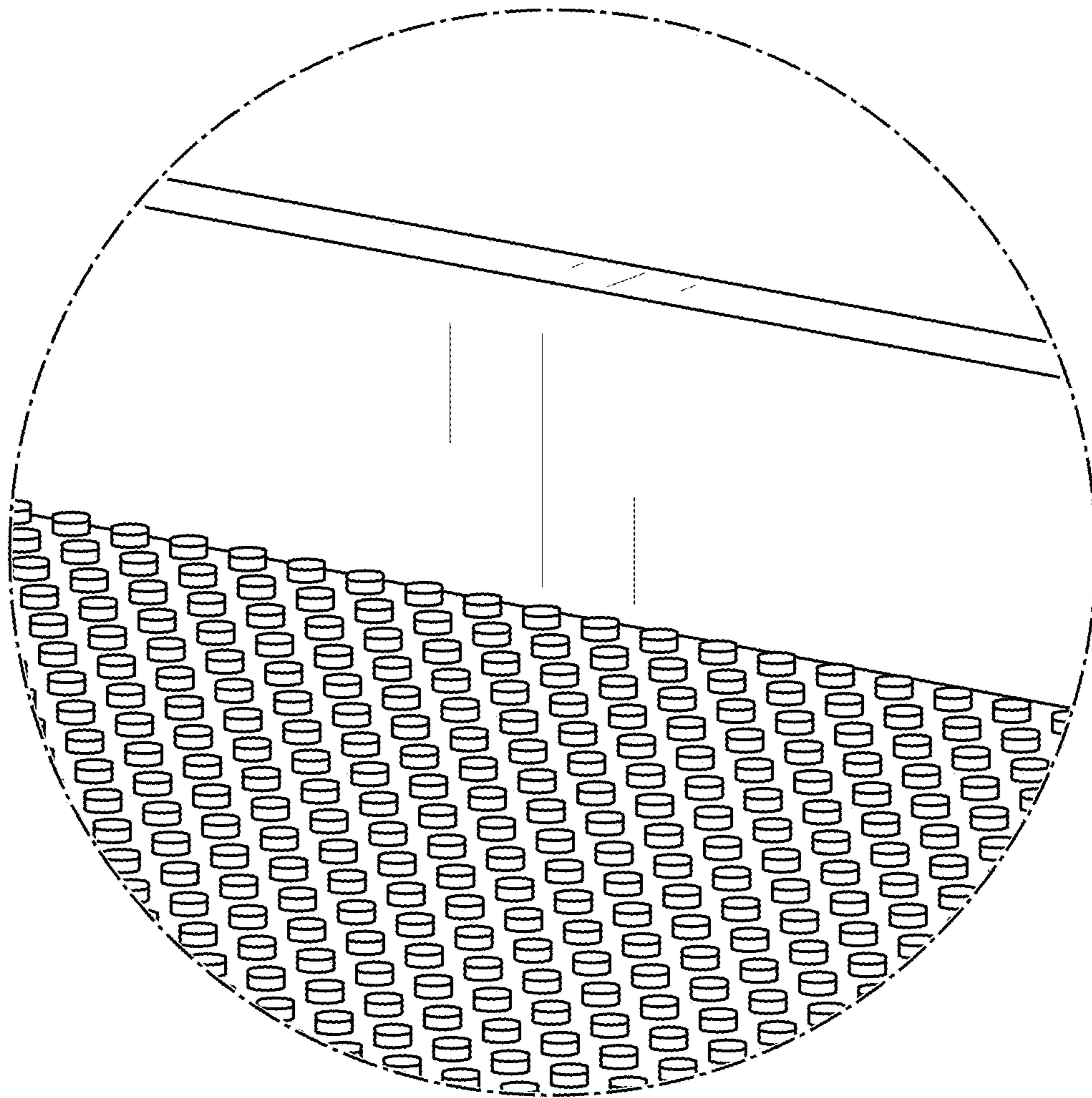


FIG. 9