



US00D988415S

(12) **United States Design Patent** (10) **Patent No.:** **US D988,415 S**  
**Colvin et al.** (45) **Date of Patent:** **\*\* Jun. 6, 2023**

(54) **GAMING MACHINE SIGNAGE**  
(71) Applicant: **GAMING ARTS, LLC**, Las Vegas, NV (US)  
(72) Inventors: **David Colvin**, Las Vegas, NV (US); **Eric D. Colvin**, Las Vegas, NV (US)  
(73) Assignee: **Gaming Arts, LLC**, Las Vegas, NV (US)  
(\*\*) Term: **15 Years**  
(21) Appl. No.: **29/732,725**  
(22) Filed: **Apr. 27, 2020**

D624,604 S \* 9/2010 Wudtke ..... D21/370  
D625,368 S \* 10/2010 Nelson ..... D21/370  
D665,033 S \* 8/2012 DeSimone ..... D21/385  
D665,853 S 8/2012 DiSimone  
D673,622 S \* 1/2013 Wudtke ..... D21/385  
D681,129 S 4/2013 DiSimone  
D706,359 S \* 6/2014 Wudtke ..... D21/385  
(Continued)

**Related U.S. Application Data**

(62) Division of application No. 29/662,808, filed on Sep. 8, 2018, now Pat. No. Des. 886,206.  
(51) **LOC (14) Cl.** ..... **21-01**  
(52) **U.S. Cl.**  
USPC ..... **D21/385**  
(58) **Field of Classification Search**  
USPC ..... D21/369, 370, 385; D20/19, 21  
CPC ..... G07F 17/3211  
See application file for complete search history.

**References Cited**

**U.S. PATENT DOCUMENTS**

D383,802 S 9/1997 Levy  
D412,347 S 7/1999 DeSimone  
D519,571 S \* 4/2006 Myers ..... D21/369  
D524,380 S 7/2006 Seelig  
D536,390 S 2/2007 Van Ness  
D536,391 S 2/2007 Van Ness  
D562,912 S \* 2/2008 Myers ..... D21/385  
D569,919 S 5/2008 Zielinski  
D591,360 S \* 4/2009 Fiore ..... D21/385  
D601,637 S \* 10/2009 Myers ..... D21/385  
7,614,949 B2 11/2009 Anderson

**OTHER PUBLICATIONS**

\$ Oval Slot Machine Toppers [https://www.icollector.com/Lot-of-4-Oval-Light-Up-Slot-Machine-Topper-Signs\\_i17224656](https://www.icollector.com/Lot-of-4-Oval-Light-Up-Slot-Machine-Topper-Signs_i17224656) 2013.\*

*Primary Examiner* — George D. Kirschbaum  
(74) *Attorney, Agent, or Firm* — FisherBroyles, LLP; Rob L. Phillips

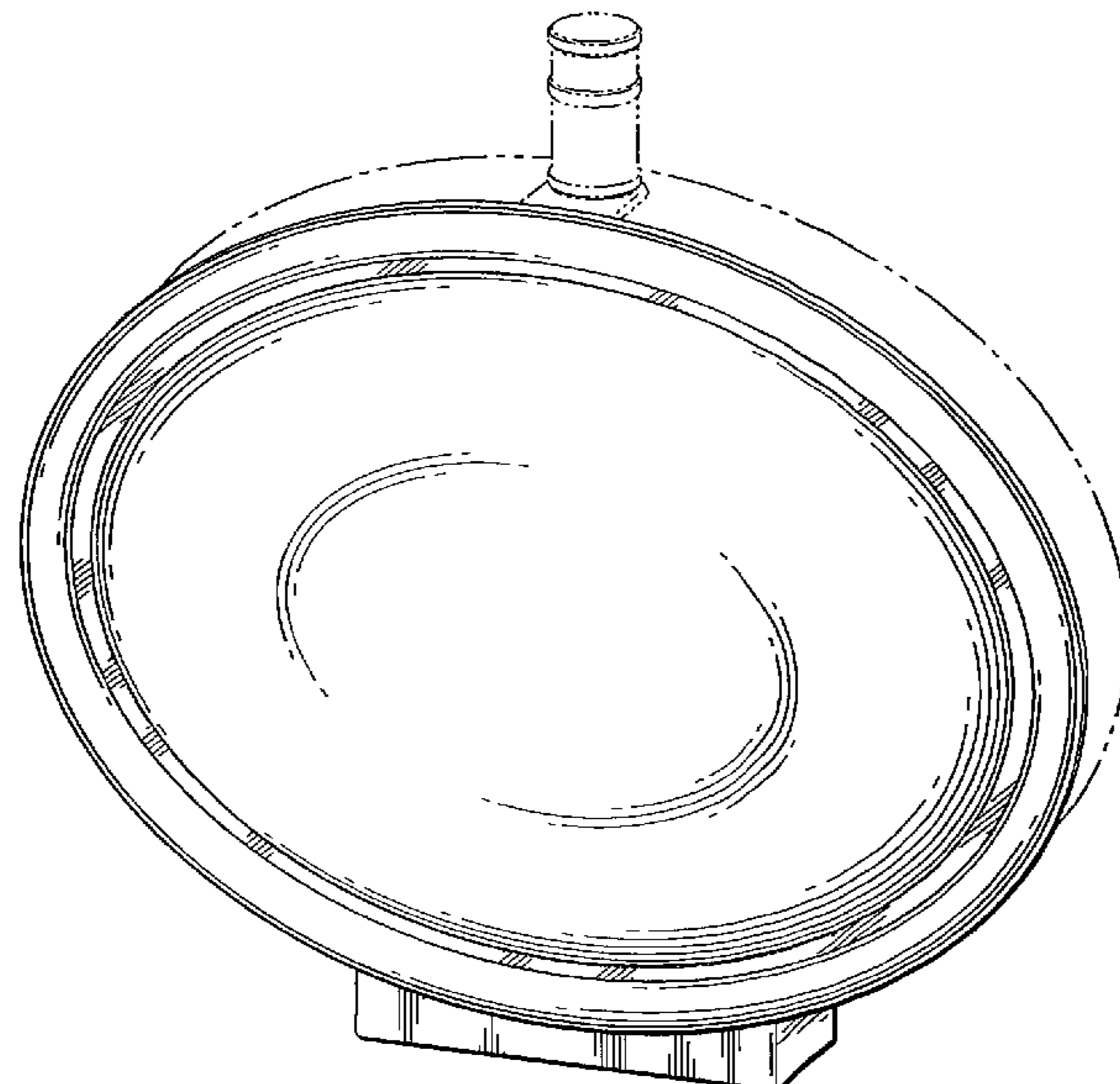
(57) **CLAIM**

The ornamental design for gaming machine signage, as shown and described.

**DESCRIPTION**

FIG. 1 is a perspective view of the gaming machine signage showing our new design;  
FIG. 2 is a front elevational view of the gaming machine signage of FIG. 1;  
FIG. 3 is a left side elevational view of the gaming machine signage of FIG. 1;  
FIG. 4 is a right side elevational view of the gaming machine signage of FIG. 1;  
FIG. 5 is a rear elevational view of the gaming machine signage of FIG. 1;  
FIG. 6 is a top plan view of the gaming machine signage of FIG. 1; and,  
FIG. 7 is a bottom plan view of the gaming machine signage of FIG. 1.  
In the drawings, the broken lines depict environmental subject matter only and form no part of the claimed design.

**1 Claim, 2 Drawing Sheets**



(56)

**References Cited**

U.S. PATENT DOCUMENTS

8,808,094 B2 \* 8/2014 DeSimone ..... G07F 17/3211  
463/30  
D805,134 S \* 12/2017 Tsai ..... D21/385  
D813,313 S \* 3/2018 Bussey ..... D21/385  
D814,575 S 4/2018 Colvin  
9,972,161 B2 \* 5/2018 Bernard ..... G07F 17/3211  
D846,651 S 4/2019 Colvin  
D875,838 S \* 2/2020 Urban ..... D21/370  
D884,080 S \* 5/2020 Gibson ..... D21/385  
D900,938 S \* 11/2020 Lesourd ..... D21/369  
D969,928 S \* 11/2022 Lamb ..... D21/369

\* cited by examiner

FIG. 1

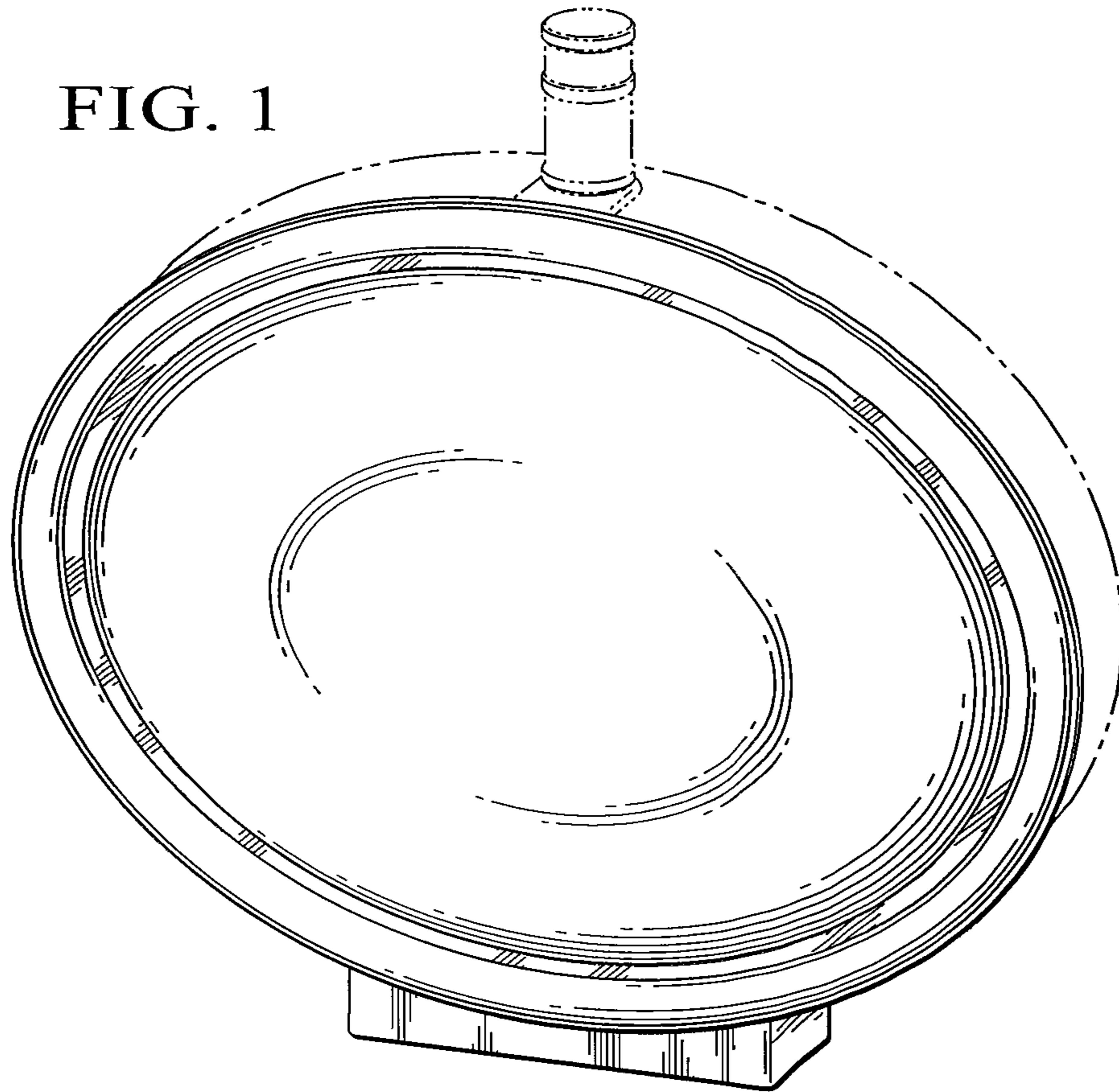


FIG. 2

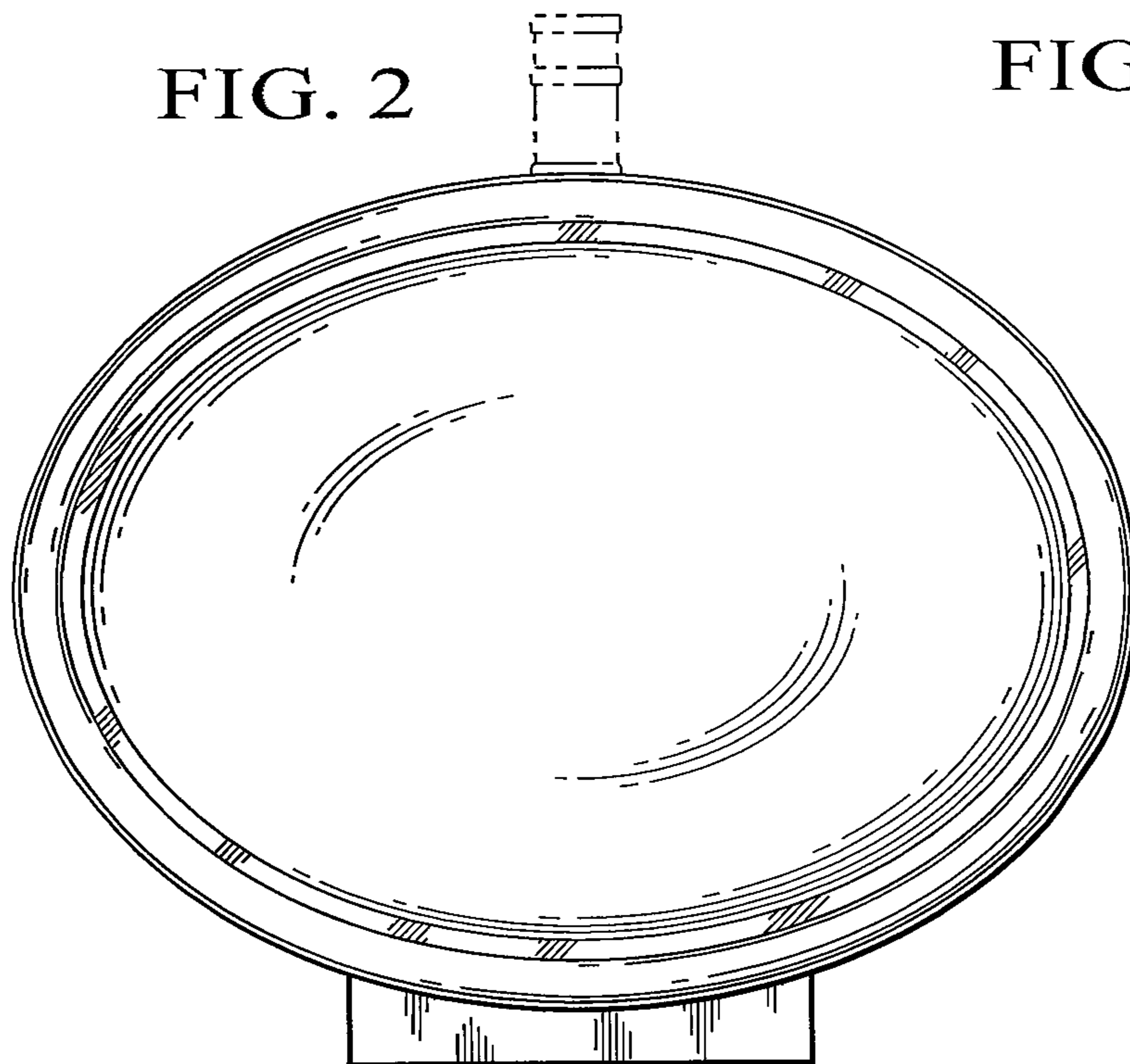
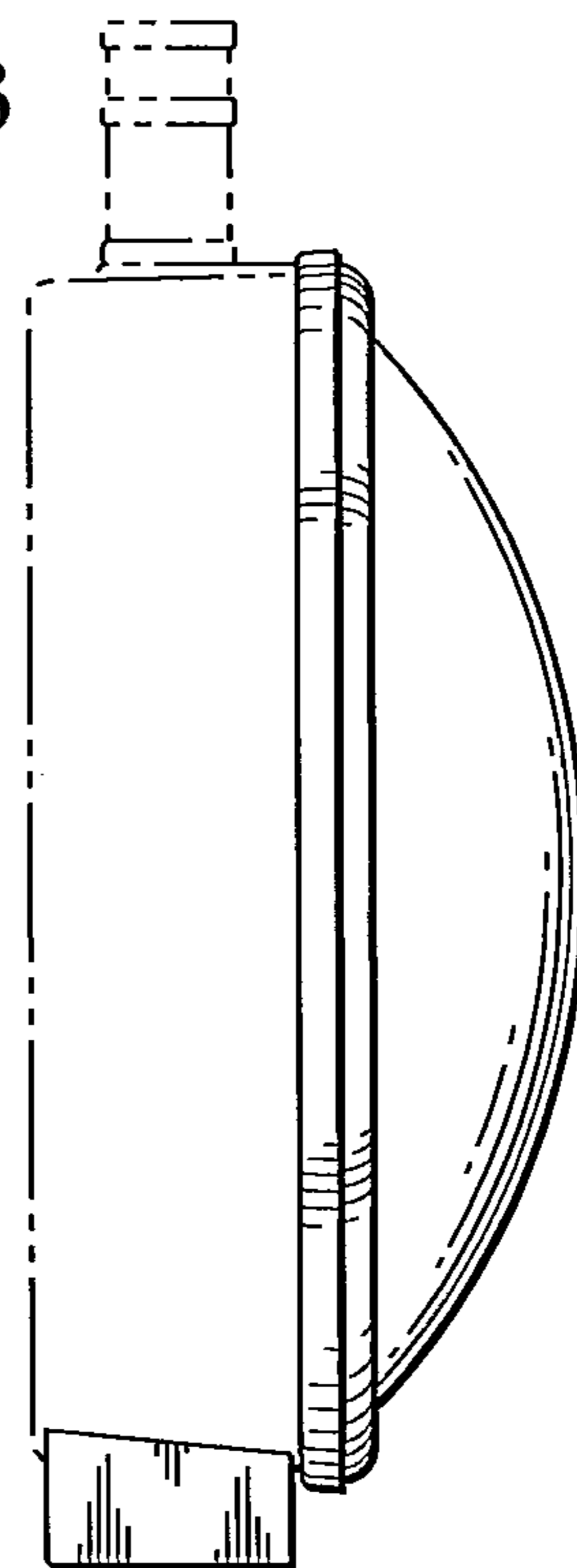


FIG. 3



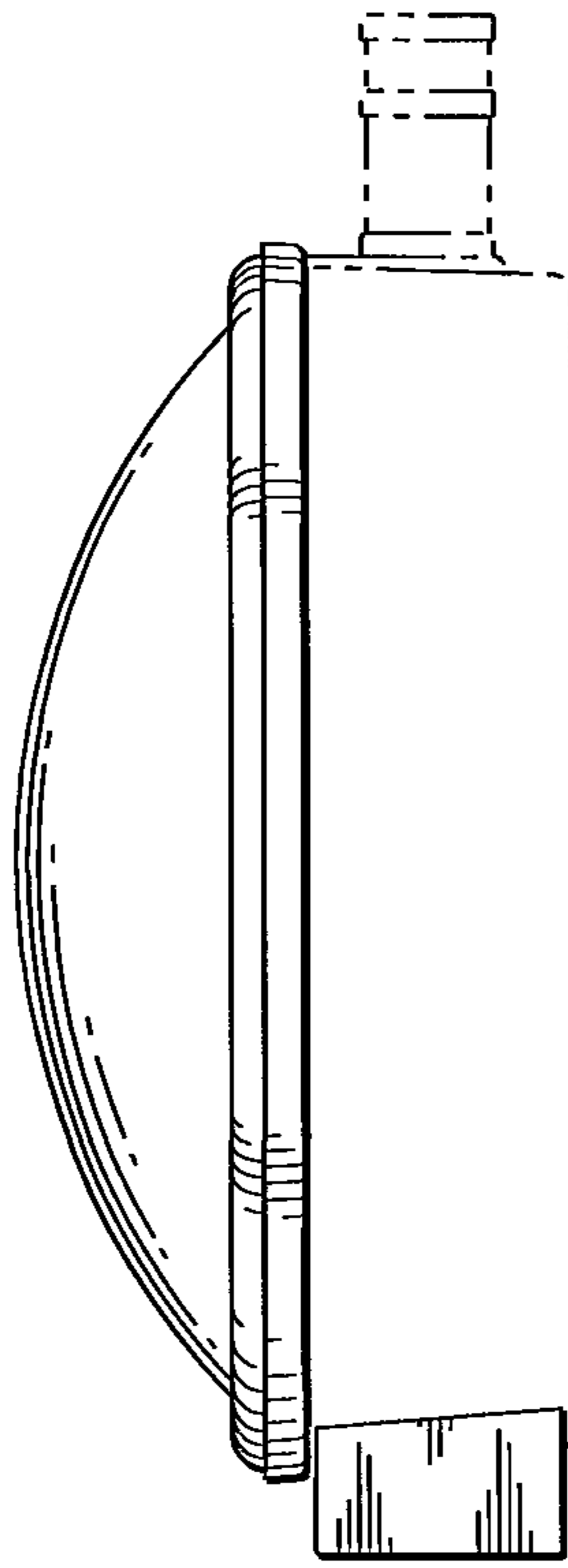


FIG. 4

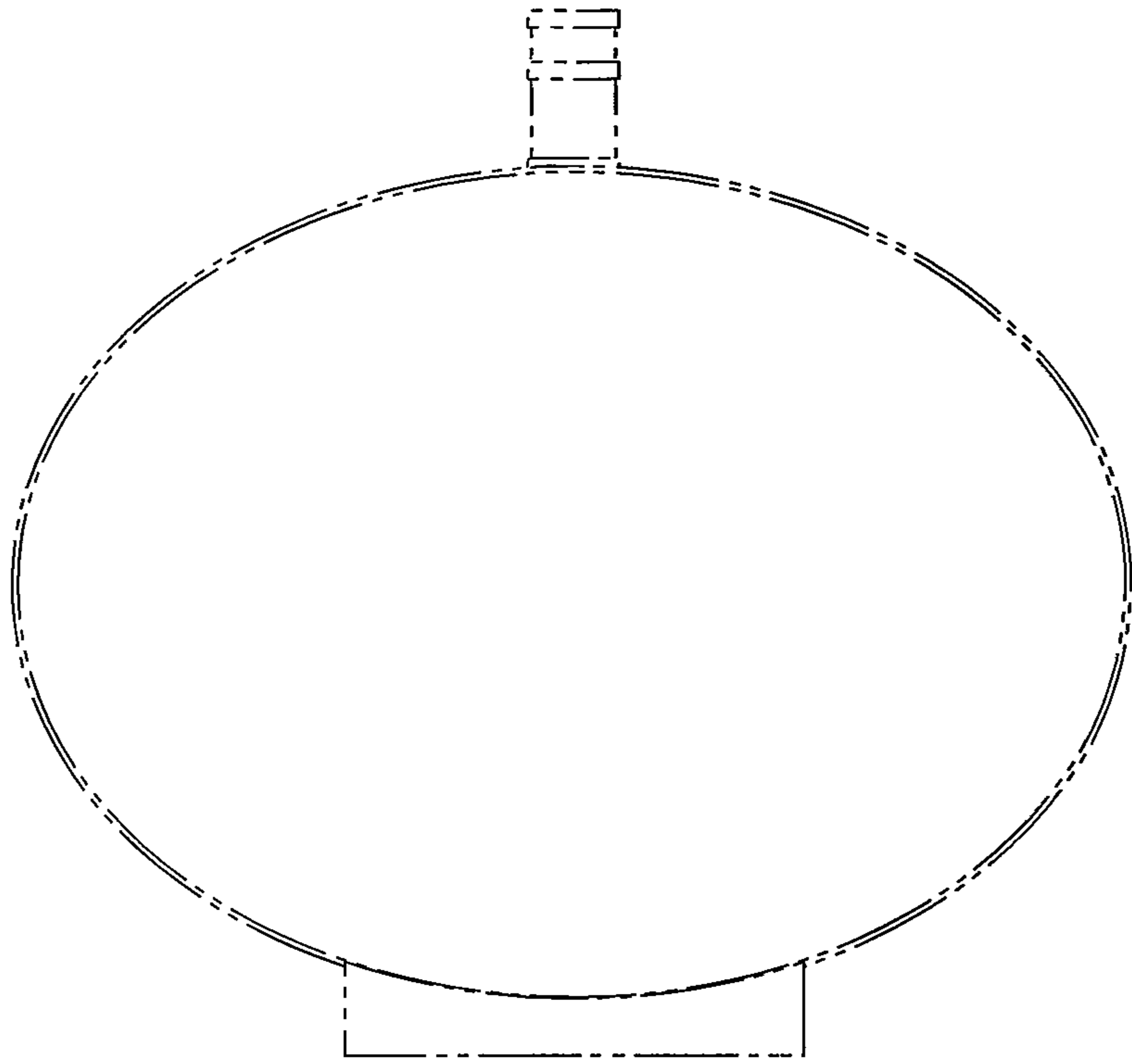


FIG. 5

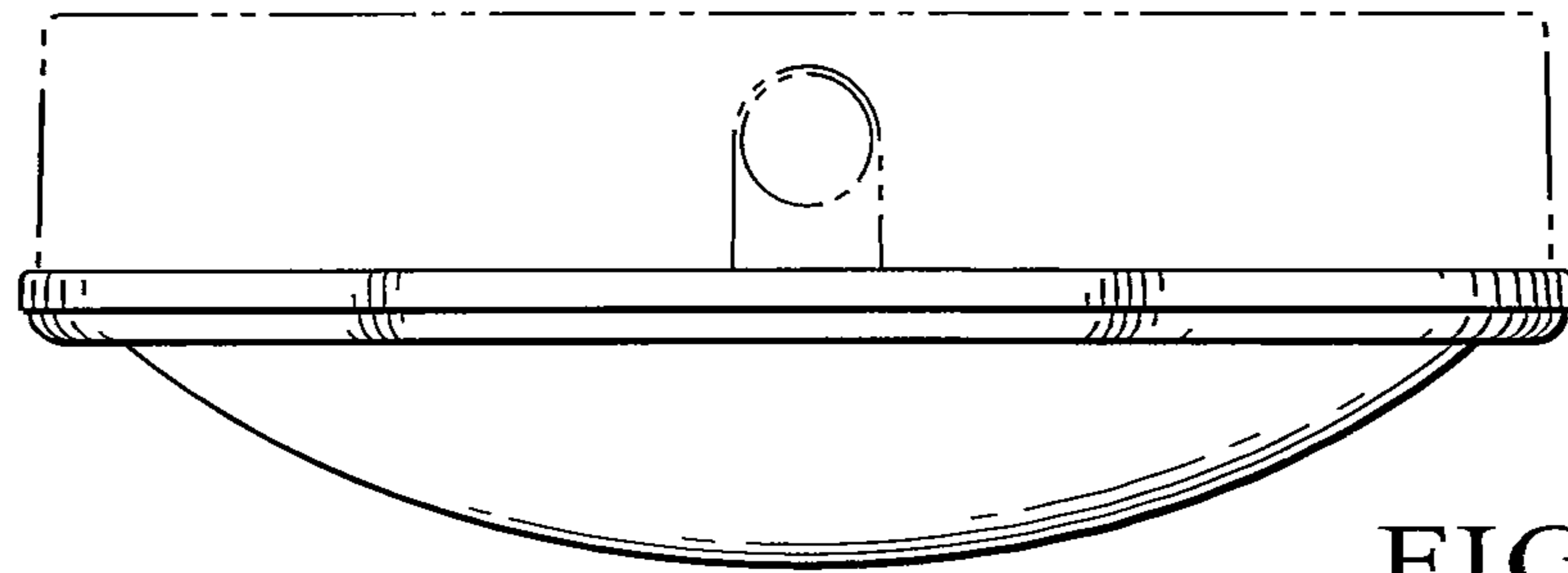


FIG. 6

FIG. 7

