



US00D988413S

(12) **United States Design Patent** (10) **Patent No.:** **US D988,413 S**
Staes (45) **Date of Patent:** **** Jun. 6, 2023**

(54) **BULLET DIE**
(71) Applicant: **Rhand International Ltd.**, Sofia (BG)
(72) Inventor: **Bram Staes**, Sofia (BG)
(73) Assignee: **Rhand International Ltd.**, Sofia (BG)
(**) Term: **15 Years**
(21) Appl. No.: **29/849,574**

D226,346 S * 2/1973 Newman D7/412
4,030,210 A * 6/1977 Stebbins G09B 23/36
434/295
D263,607 S * 3/1982 Bjon D21/373
(Continued)

(22) Filed: **Aug. 12, 2022**
(51) **LOC (14) Cl.** **21-02**
(52) **U.S. Cl.**
USPC **D21/373**
(58) **Field of Classification Search**
USPC D21/372, 373; 273/292, 146, 272
CPC . A63F 9/0415; A63F 2009/0426; A63F 5/041
See application file for complete search history.

FOREIGN PATENT DOCUMENTS

FR 2594705 A3 * 2/1986
GB 2230705 A * 10/1990 A63F 9/0415

OTHER PUBLICATIONS

Bullet Metal by Lynx Store dated Jun. 22, 2022. Found online [Dec. 22, 2022] https://www.amazon.com/Bullet-Metal-Dice-Set-Accessories/dp/B0B1ZN5W9Y/ref=cm_cr_arp_d_pdt_img_top?ie=UTF8 (Year: 2022).*

(Continued)

Primary Examiner — Ryan Harvey
(74) *Attorney, Agent, or Firm* — Platinum Intellectual Property PC

(56) **References Cited**

U.S. PATENT DOCUMENTS

229,791 A * 7/1880 Wunderlich A63B 67/12
473/592
1,271,551 A * 7/1918 Ebner A63F 9/0415
273/146
1,419,056 A * 6/1922 Kaufman A63F 9/0415
D21/373
1,526,803 A * 2/1925 Miller A63F 9/0415
273/146
1,795,562 A * 3/1931 Kim A63F 9/0415
273/146
D84,388 S * 6/1931 Woodroof D21/373
1,986,710 A * 1/1935 Brown A63F 9/0415
D21/373
D158,196 S 4/1950 Keast
2,530,082 A * 11/1950 Roth G07C 15/00
273/146
2,583,805 A * 1/1952 Astle A63F 5/041
446/256
3,176,990 A * 4/1965 Aliff A63F 3/00697
473/592

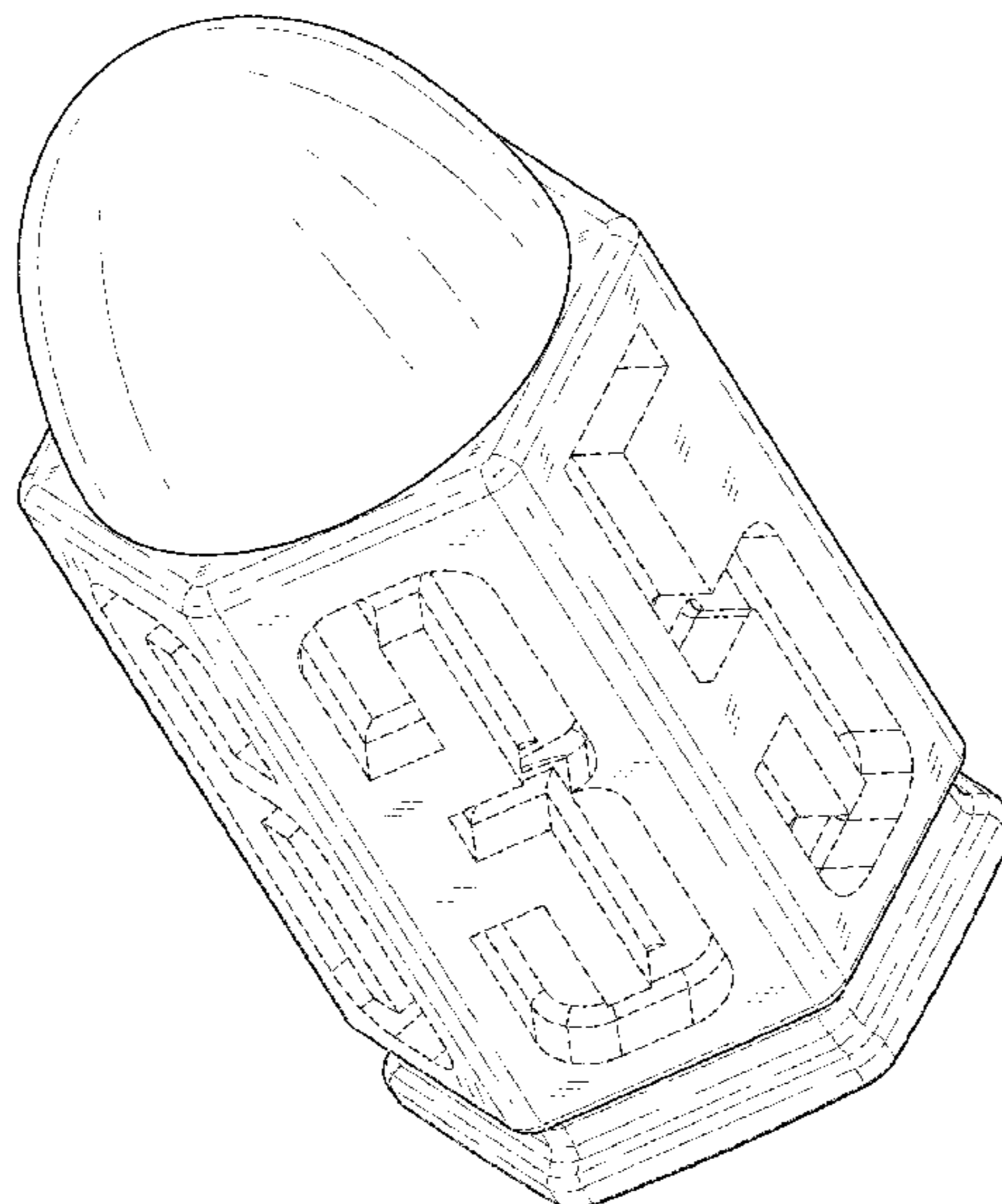
(57) **CLAIM**

The ornamental design for a bullet die, as shown and described.

DESCRIPTION

FIG. 1 is a perspective view of a bullet die, according to the claimed design;
FIG. 2 is a first side view thereof;
FIG. 3 is a second side view thereof;
FIG. 4 is a third side view thereof;
FIG. 5 is a fourth side view thereof;
FIG. 6 is a top plan view thereof; and,
FIG. 7 is a bottom plan view thereof.
The broken line showing of portions of the bullet die form no part of the claim.

1 Claim, 7 Drawing Sheets



(56)

References Cited

U.S. PATENT DOCUMENTS

5,150,900 A * 9/1992 Onzo A63F 9/0415
273/146
5,169,148 A * 12/1992 Wheeler A63F 9/0415
273/146
5,203,562 A * 4/1993 Smith A63F 9/0415
273/146
D373,603 S * 9/1996 Moradinia D21/373
5,690,331 A * 11/1997 Sides A63F 9/0415
D21/373
D412,537 S * 8/1999 Underwood D21/373
5,938,197 A * 8/1999 Bowling A63F 9/0415
273/146
D414,219 S * 9/1999 Karls D21/386
6,007,065 A * 12/1999 Ress A63F 9/0415
273/146
6,042,116 A * 3/2000 Underwood A63F 9/0415
D21/372
D436,635 S * 1/2001 Bowling D21/373
D455,462 S * 4/2002 Bowling D21/373
6,769,688 B1 * 8/2004 Lean A63H 1/00
273/148 R
D634,370 S 3/2011 Gebhart
D682,361 S * 5/2013 Lander D21/373
D687,491 S * 8/2013 Loebach D19/909
D696,354 S 12/2013 Barry
D771,750 S * 11/2016 Fjelstad D21/373
D801,438 S * 10/2017 Fjelstad D21/373
D801,439 S * 10/2017 Fjelstad D21/373

D825,667 S 8/2018 Snyder
D876,158 S * 2/2020 Coon D11/90
D887,497 S * 6/2020 Derus D21/373

OTHER PUBLICATIONS

Bullet Dice Amazon by Amazon dated no date given. Found online [Dec. 22, 2022] https://www.amazon.com/s?k=bullet+dice&crd=3F5OTU32LMDIB&sprefix=bullet+dice%2Caps%2C173&ref=nb_sb_noss_1.*

Set of 7 by OneCornerSquare dated no date given. Found online [Dec. 22, 2022] <https://www.etsy.com/listing/1095660213/set-of-7-bullet-shaped-polyhedral-dice>.*

Bullet dice D6 by Hamster of Destruction dated no date given. Found online [Dec. 22, 2022] <https://www.shapeways.com/product/4Z62USCSF/bullet-dice-d6>.*

Bullet Dice—Locked by Purple Rock dated no date given. Found online [Dec. 22, 2022] <https://www.shapeways.com/product/RUKUZLX2V/bullet-dice-locked-and-loaded-6d6>.*

Bullet Dice—D6 by FunBoardGames dated no date given. Found online [Dec. 22, 2022] <https://www.etsy.com/listing/653867383/bullet-dice-d6-and-gaslands-skid-dice>.*

Bullet Dice 3d by Jarhara Jai Arik dated Dec. 22, 2019. Found online [Dec. 22, 2022] <https://www.myminifactory.com/object/3d-print-bullet-dice-122128> (Year: 2019).*

Bullet Dice resin by Artois2018 dated Dec. 15, 2016. Found online [Dec. 22, 2022] https://www.reddit.com/r/PrintedMinis/comments/yxs7fg/bullet_dice/ (Year: 2016).*

* cited by examiner

FIG. 1

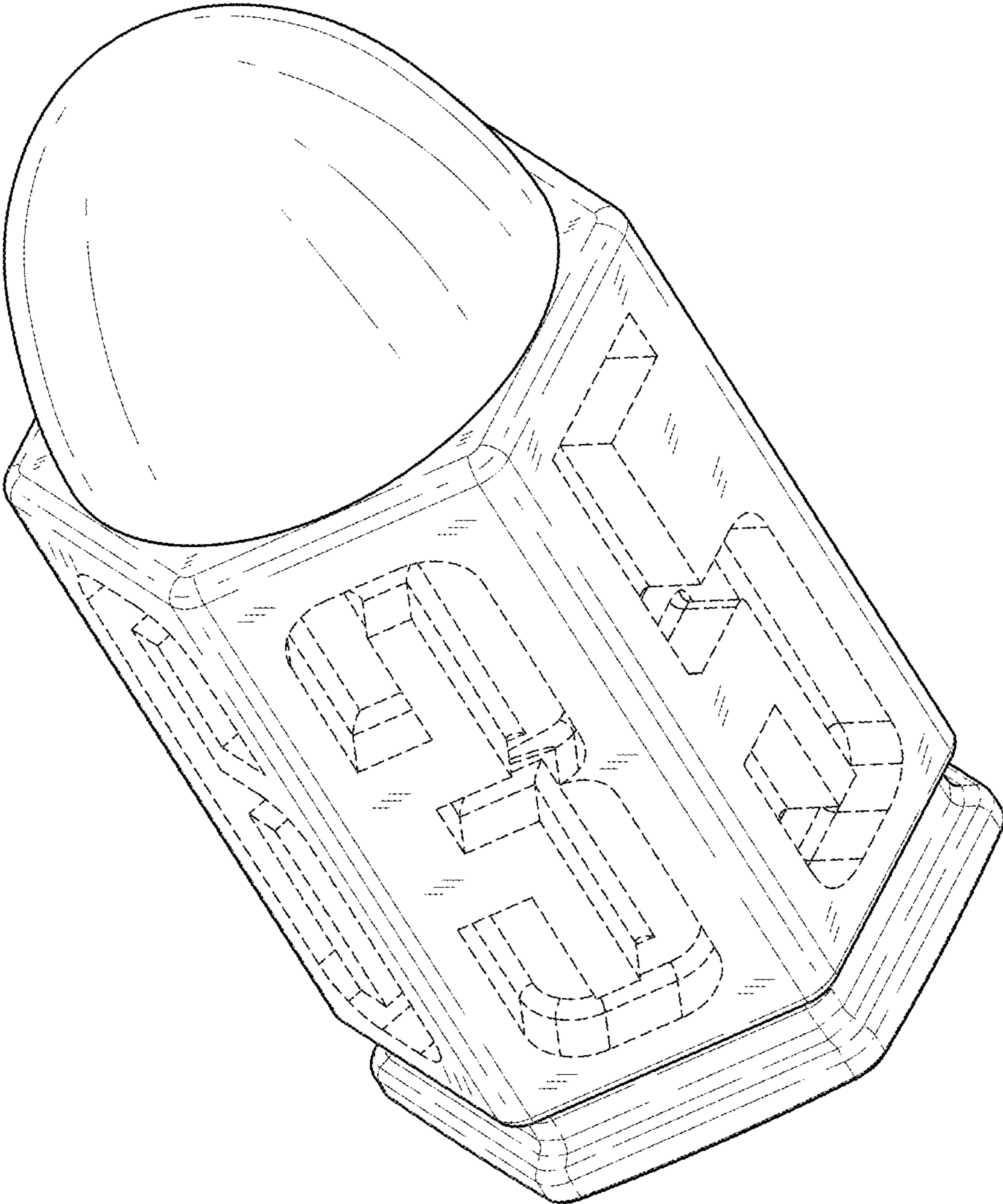


FIG. 2

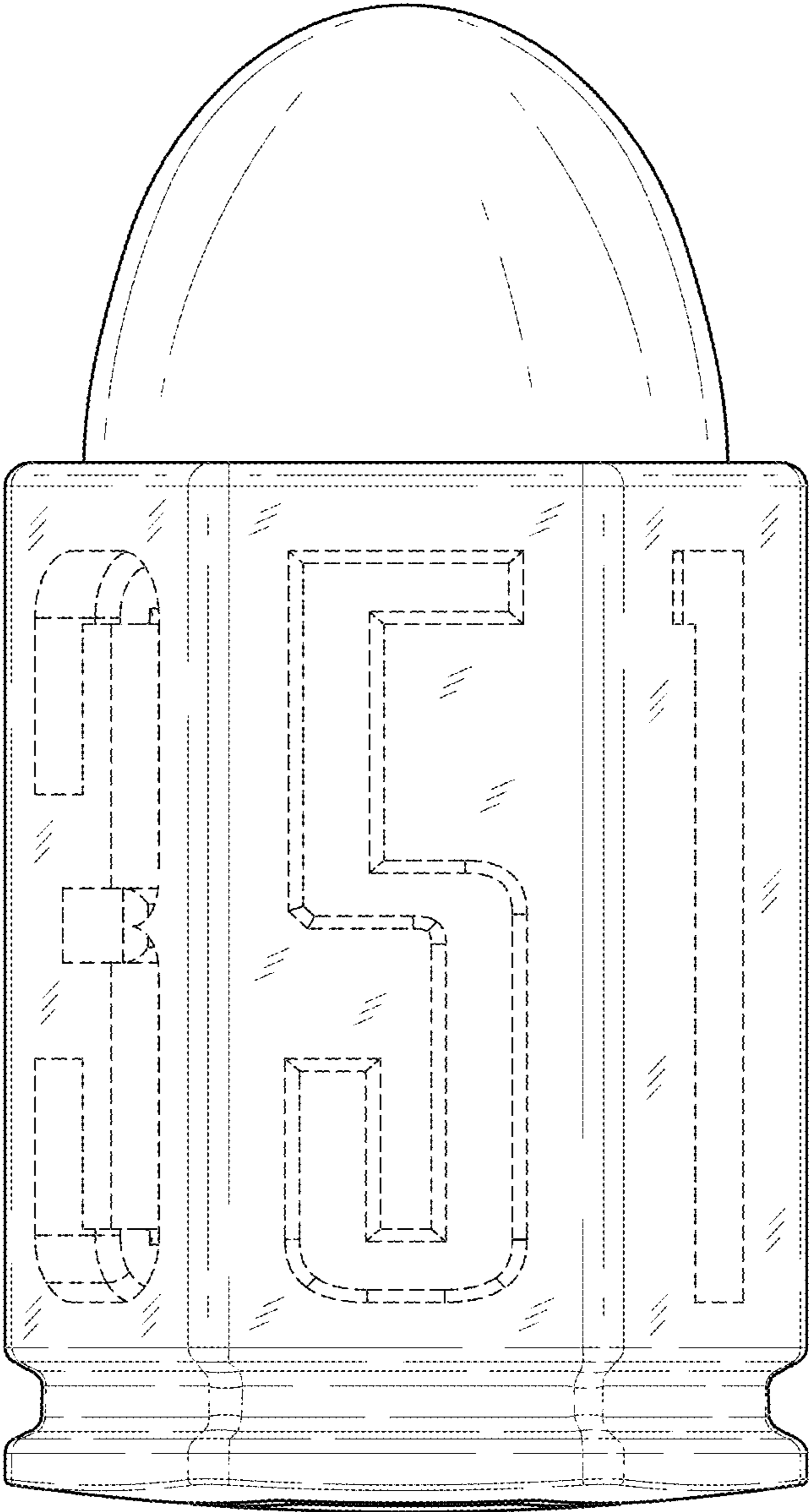


FIG. 3

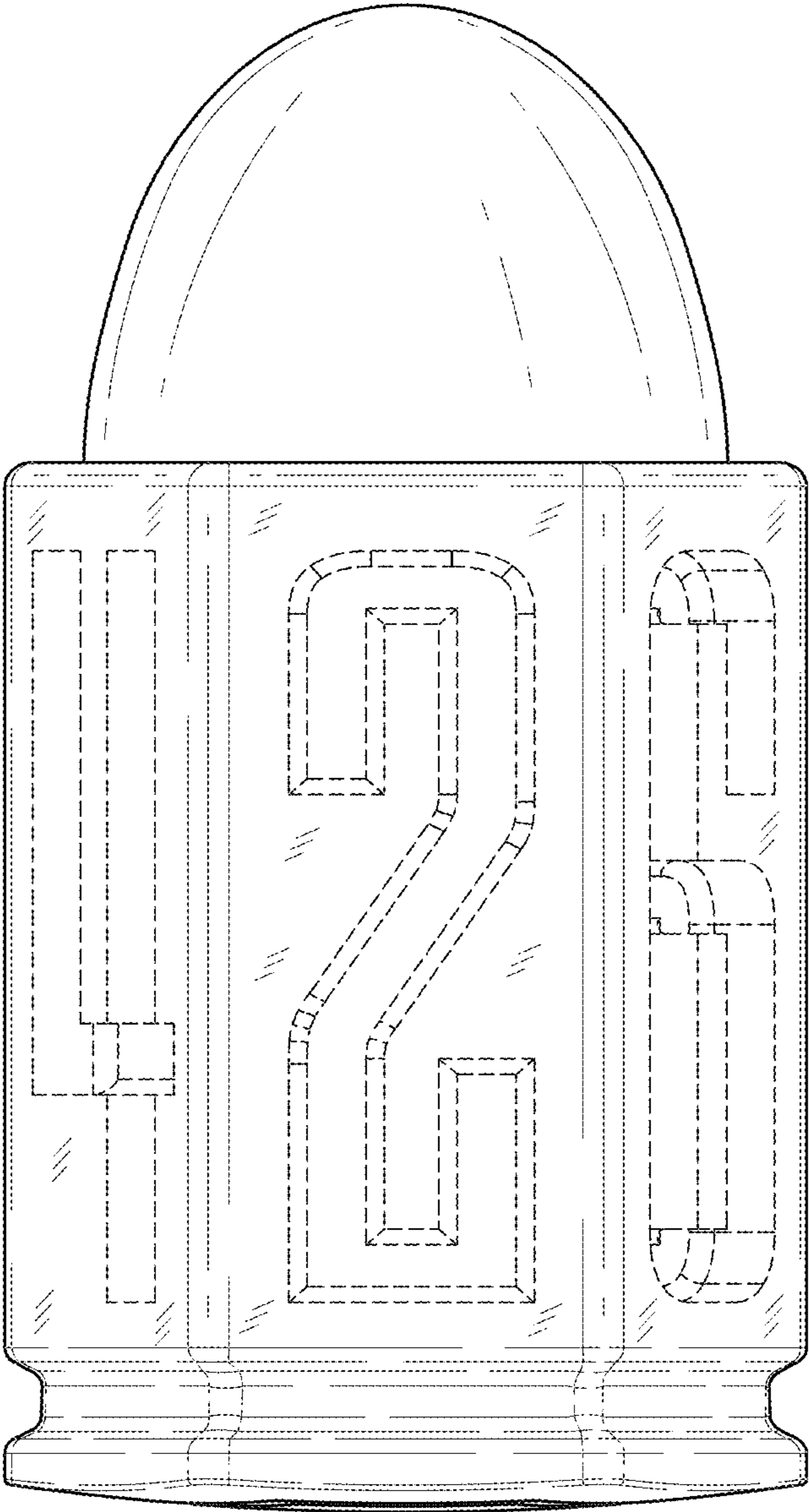


FIG. 4

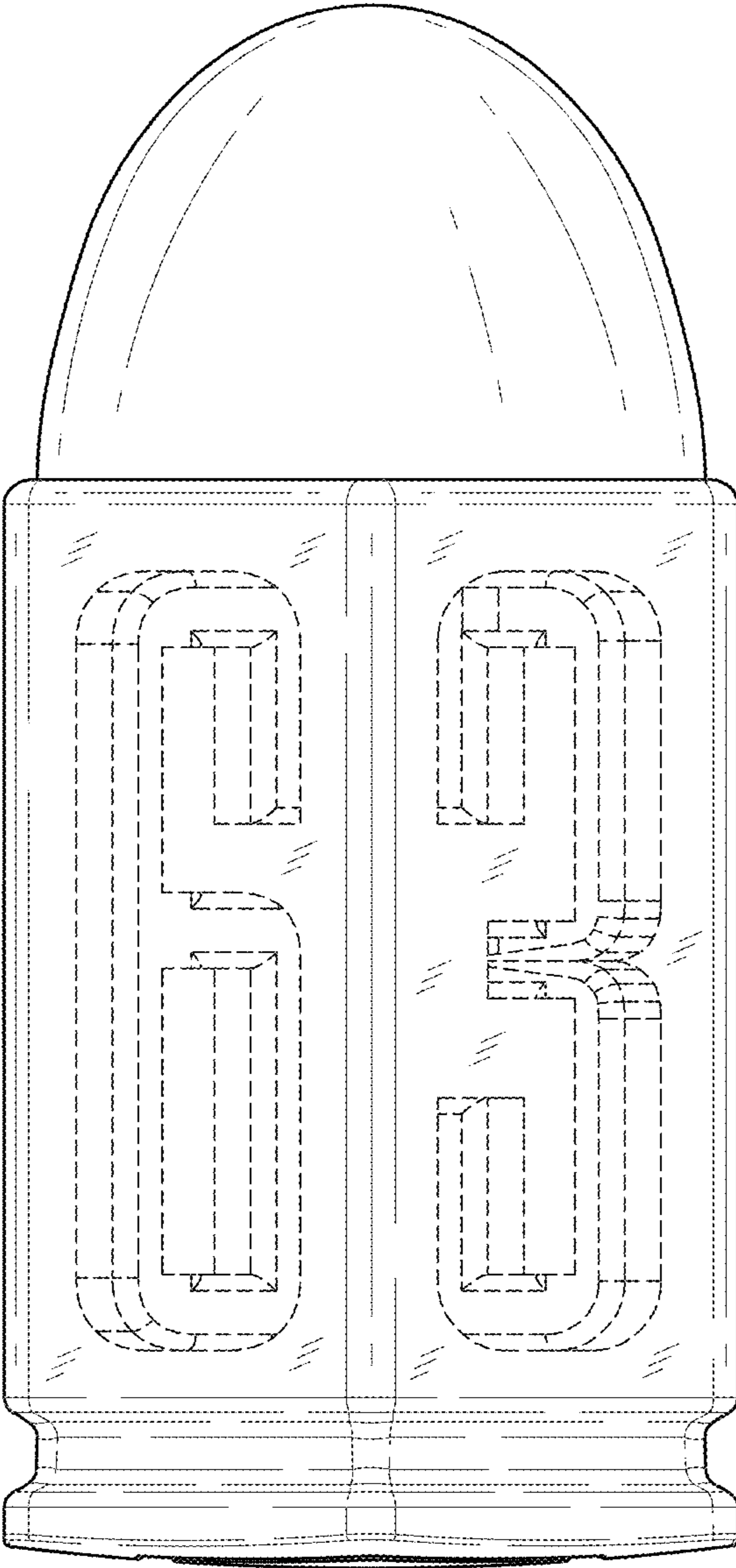


FIG. 5

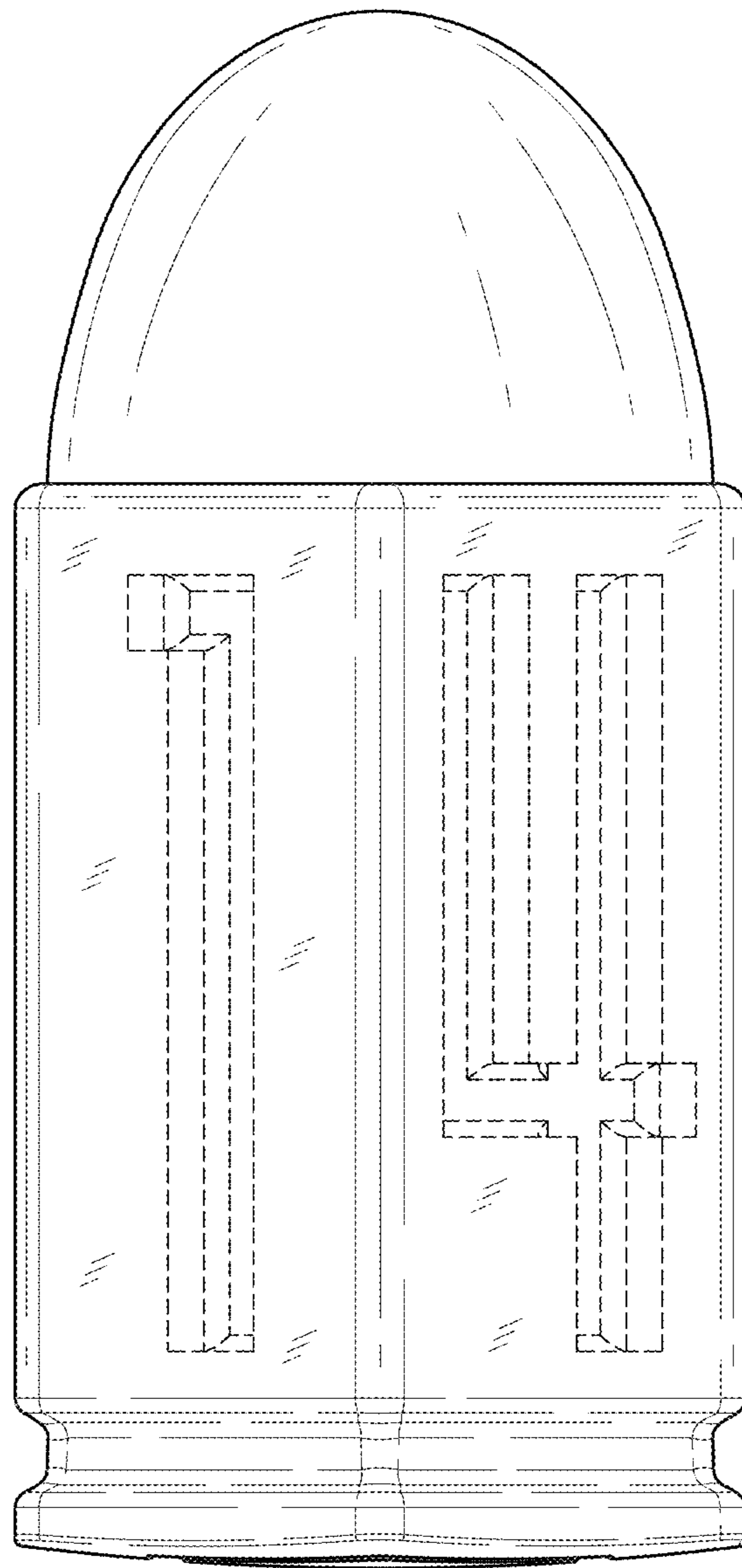


FIG. 6

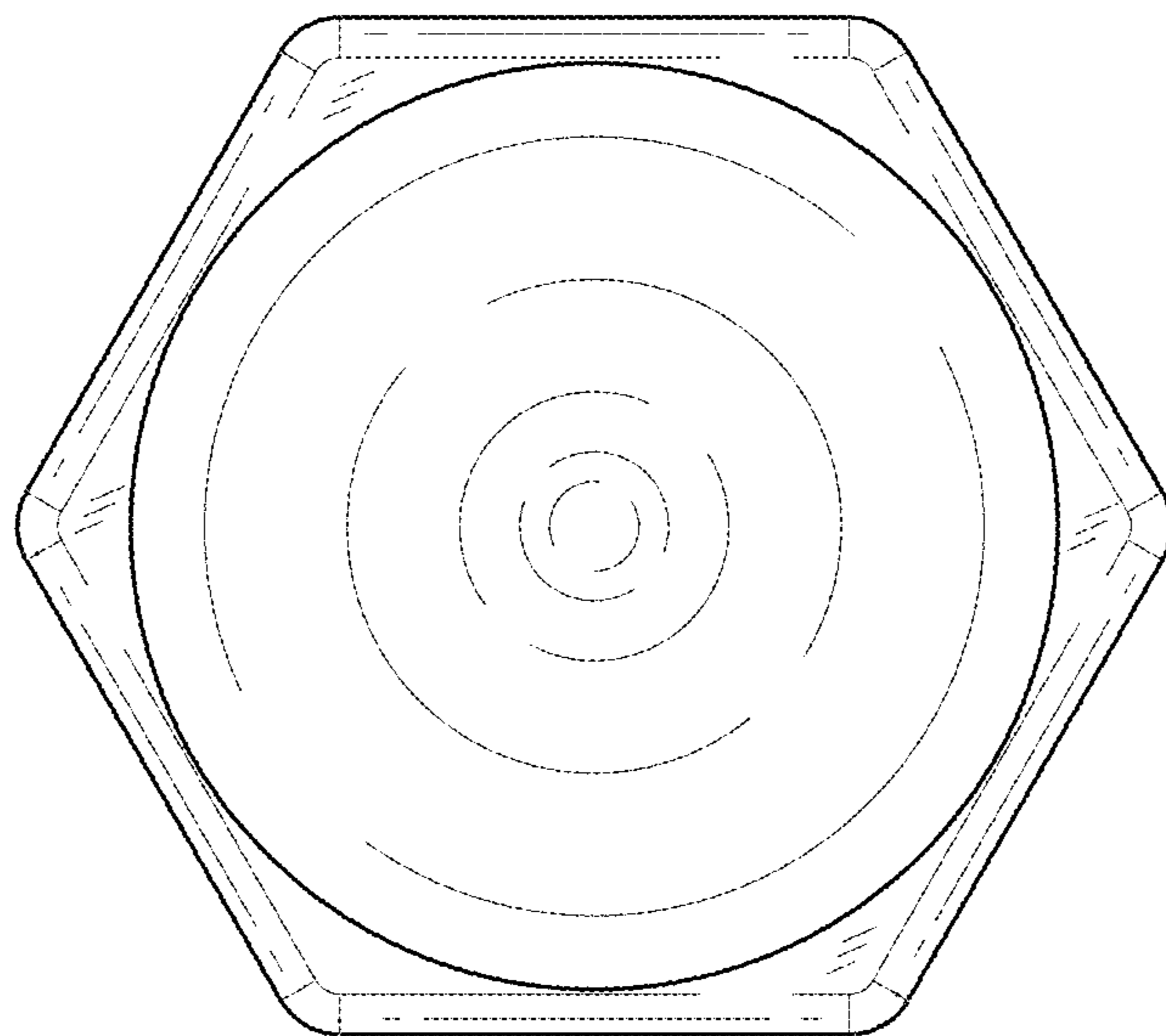


FIG. 7

