



US00D988412S

(12) **United States Design Patent**
Ocampo et al.

(10) **Patent No.:** **US D988,412 S**
(45) **Date of Patent:** **** Jun. 6, 2023**

- (54) **GAMING MACHINE**
- (71) Applicant: **Konami Gaming, Inc.**, Las Vegas, NV (US)
- (72) Inventors: **Samuel Ocampo**, Las Vegas, NV (US); **Norio Tone**, Las Vegas, NV (US); **Scott Allen Clear**, Escondido, CA (US)
- (73) Assignee: **Konami Gaming, Inc.**, Las Vegas, NV (US)
- (**) Term: **15 Years**
- (21) Appl. No.: **29/860,805**
- (22) Filed: **Nov. 22, 2022**

D740,887 S 10/2015 Randazzo
 D850,536 S 6/2019 Stair et al.
 D858,642 S * 9/2019 Legras D21/370
 D865,066 S 10/2019 Ortiz De Viveiros et al.
 (Continued)

OTHER PUBLICATIONS

Wali store, announced 2018[online], [site visited Jan. 5, 2022]. Available on internet, URL: <https://www.amazon.com/WALI-Standing-Vertical-Position-MF002XLS/dp/B07RYTM279/ref> (Year: 2018).*

Primary Examiner — Khawaja Anwar
Assistant Examiner — Julice Seung Eun Oum
 (74) *Attorney, Agent, or Firm* — Howard & Howard Attorneys PLLC

Related U.S. Application Data

- (63) Continuation of application No. 29/809,032, filed on Sep. 24, 2021, now Pat. No. Des. 974,481, which is a continuation of application No. 29/709,214, filed on Oct. 11, 2019, now Pat. No. Des. 934,347.
- (51) **LOC (14) Cl.** **21-03**
- (52) **U.S. Cl.**
USPC **D21/370**
- (58) **Field of Classification Search**
USPC D21/329, 332, 333, 365, 385, 694, 371, D21/325, 324, 336, 369, 349, 350, 397; D14/305, 306, 307, 312, 336, 354, 373
See application file for complete search history.

(57) **CLAIM**

The ornamental design for a gaming machine, as shown and described.

DESCRIPTION

FIG. 1 is a perspective view of a gaming machine showing our new design;
 FIG. 2 is a front view of the gaming machine shown in FIG. 1;
 FIG. 3 is a back view of the gaming machine shown in FIG. 1;
 FIG. 4 is a left view of the gaming machine shown in FIG. 1;
 FIG. 5 is a right view of the gaming machine shown in FIG. 1;
 FIG. 6 is a top view of the gaming machine shown in FIG. 1; and,
 FIG. 7 is a bottom view of the gaming machine shown in FIG. 1.

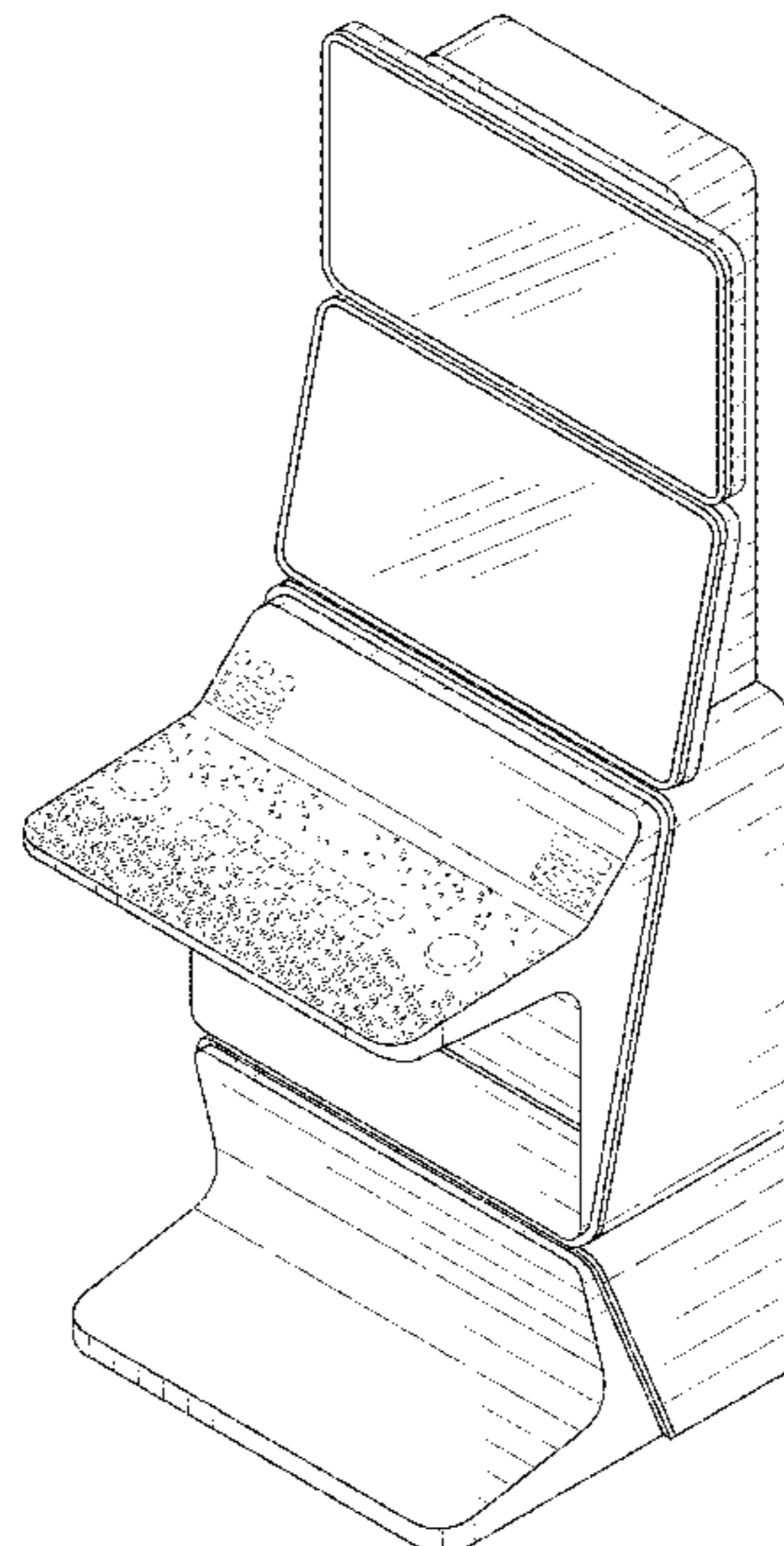
The broken lines shown in the FIGS. are provided for illustrative and environmental purposes only and form no part of the claimed design.

(56) **References Cited**

U.S. PATENT DOCUMENTS

- D415,124 S 10/1999 Rooyackers et al.
- D481,078 S 10/2003 Stephan
- D560,725 S 1/2008 Johnson
- D719,616 S 12/2014 Inoue et al.
- D727,431 S * 4/2015 Themann D21/370
- D732,520 S * 6/2015 Themann D14/307

1 Claim, 4 Drawing Sheets



(56)

References Cited

U.S. PATENT DOCUMENTS

D870,818	S	12/2019	Curbbun et al.	
D889,553	S	7/2020	Glenn, II et al.	
D892,220	S	8/2020	Park	
D893,628	S *	8/2020	Thoeni	D21/300
D907,707	S	1/2021	DeMarco et al.	
D907,709	S	1/2021	DeMarco et al.	
D907,710	S	1/2021	DeMarco et al.	
D907,711	S	1/2021	DeMarco et al.	
D907,714	S	1/2021	DeMarco et al.	
D907,715	S	1/2021	DeMarco et al.	
D907,716	S	1/2021	DeMarco et al.	
D908,172	S	1/2021	DeMarco et al.	
D910,117	S	2/2021	DeMarco et al.	
D910,118	S	2/2021	DeMarco et al.	
D910,119	S	2/2021	DeMarco et al.	
D910,120	S	2/2021	DeMarco et al.	
D910,763	S	2/2021	DeMarco et al.	
D913,379	S *	3/2021	Calhoun Lewis	D21/369
D918,303	S	5/2021	DeMarco et al.	
D934,236	S *	10/2021	Giacomin	D21/370
D939,632	S *	12/2021	Lewis	D21/370
D943,028	S	2/2022	Ortiz De Viveiros et al.	
D946,661	S	3/2022	Thompson	
D951,359	S	5/2022	Lawson et al.	
2002/0065132	A1	5/2002	Stephan	
2009/0124345	A1 *	5/2009	Gilmore	G07F 17/32 463/20
2015/0262449	A1	9/2015	Meyer	
2021/0090383	A1 *	3/2021	Rodriguez	G07F 17/3223
2021/0110642	A1	4/2021	Ocampo et al.	
2021/0366236	A1	11/2021	Soong	

* cited by examiner

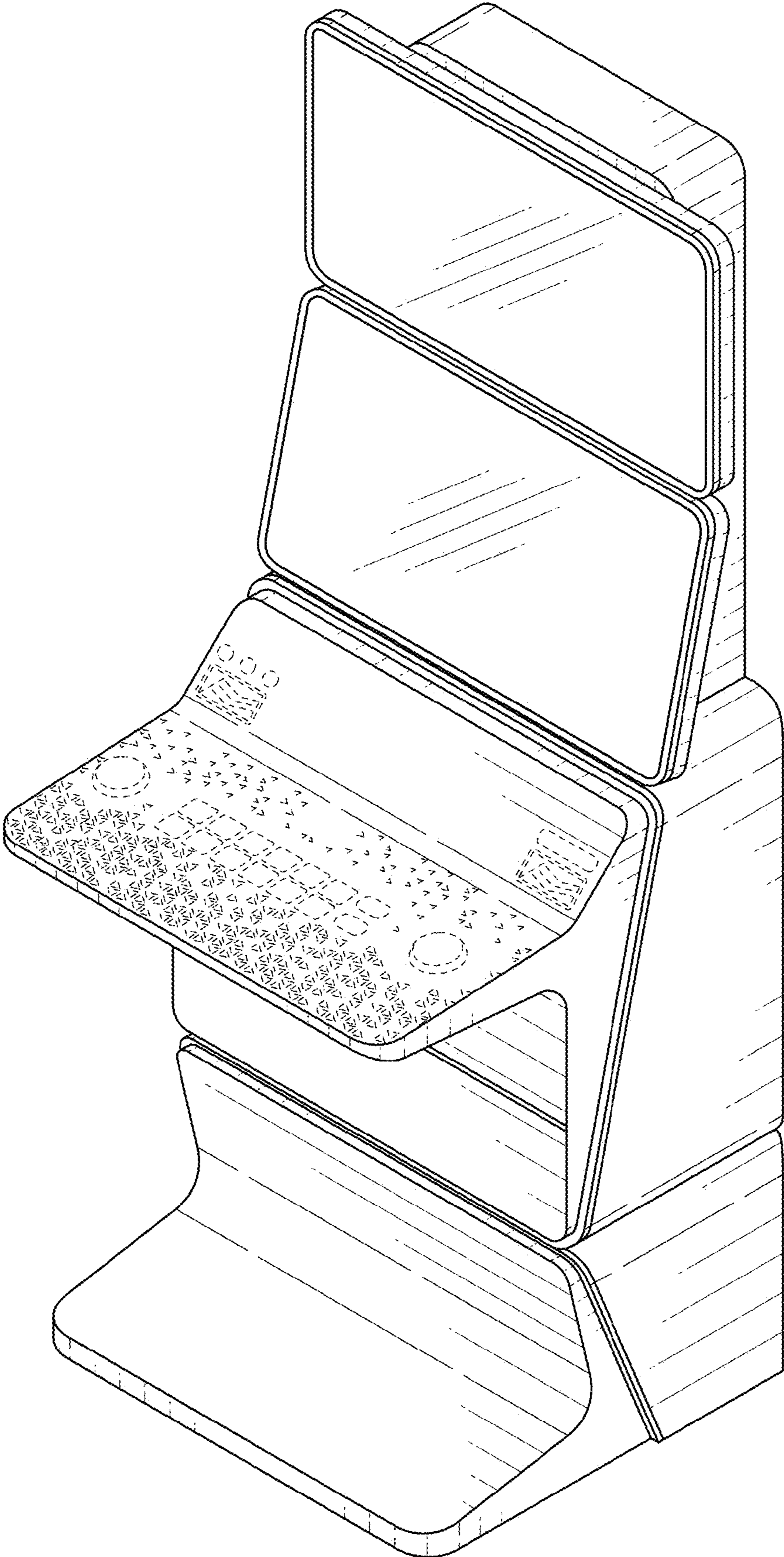


FIG. 1

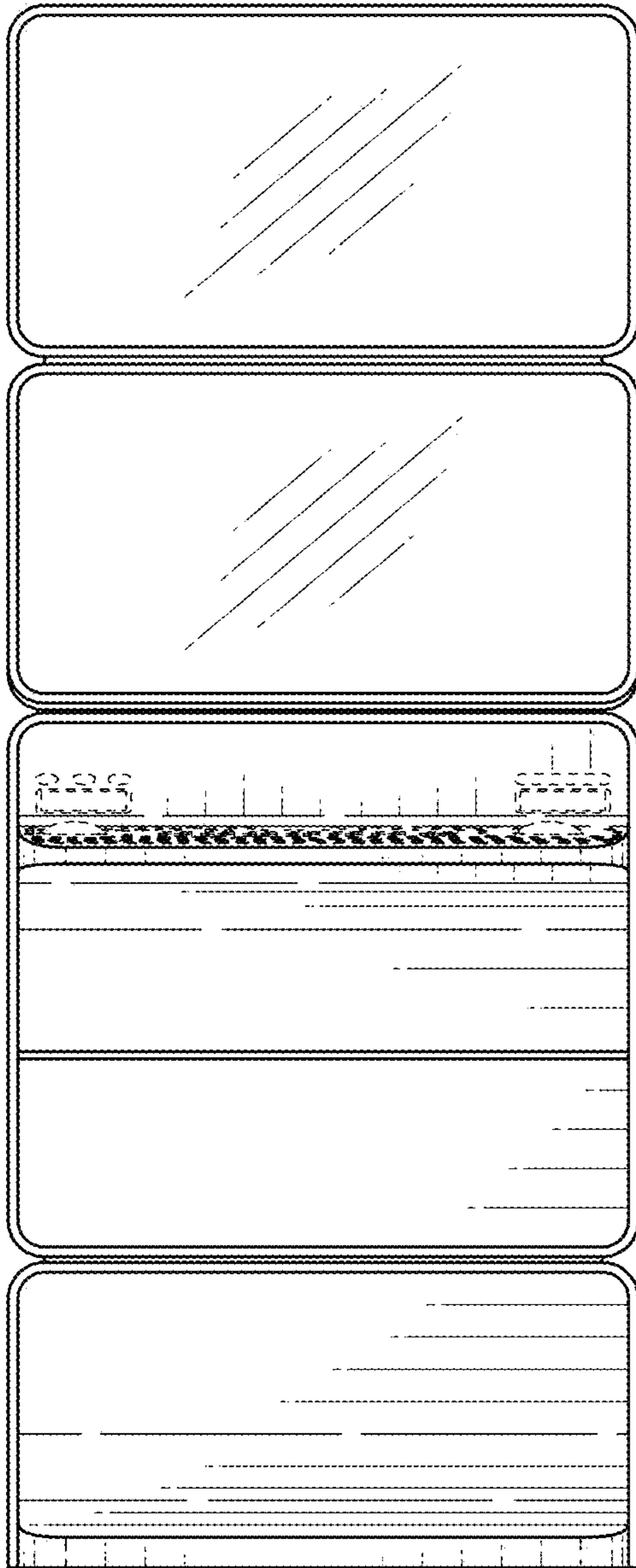


FIG. 2

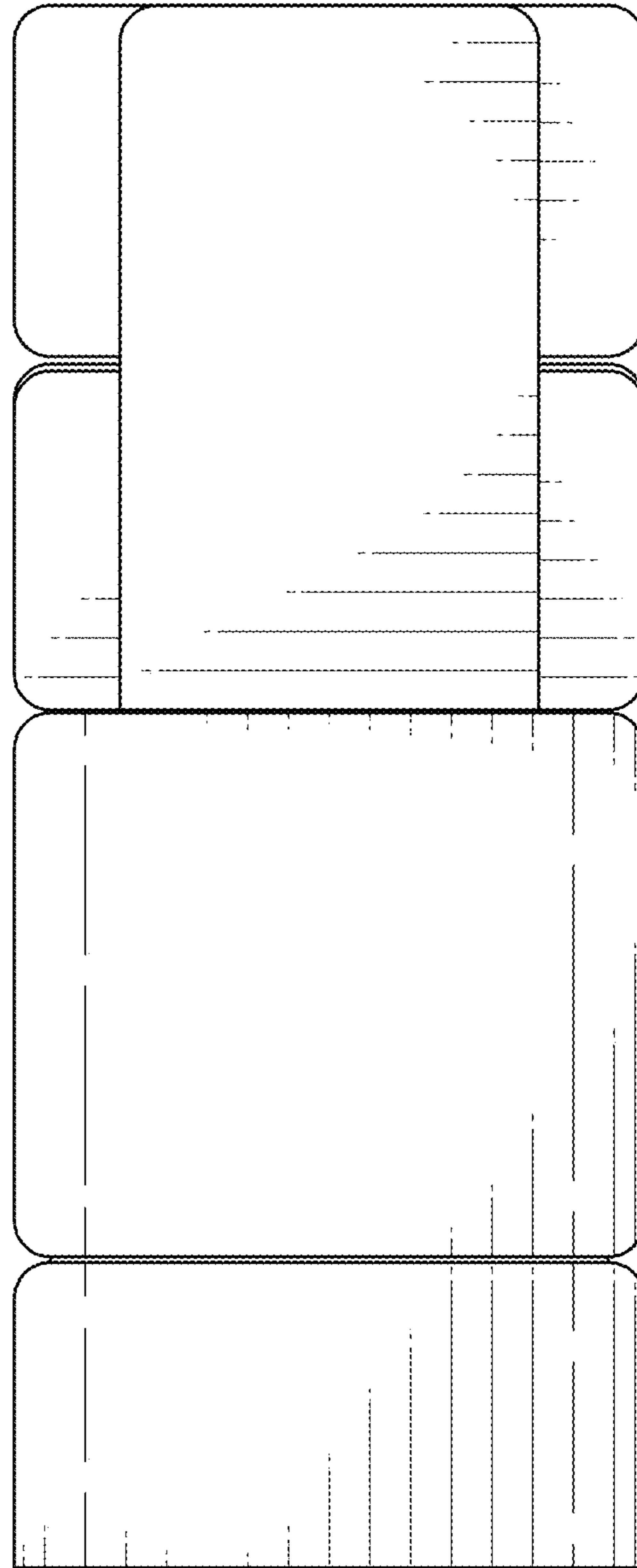


FIG. 3

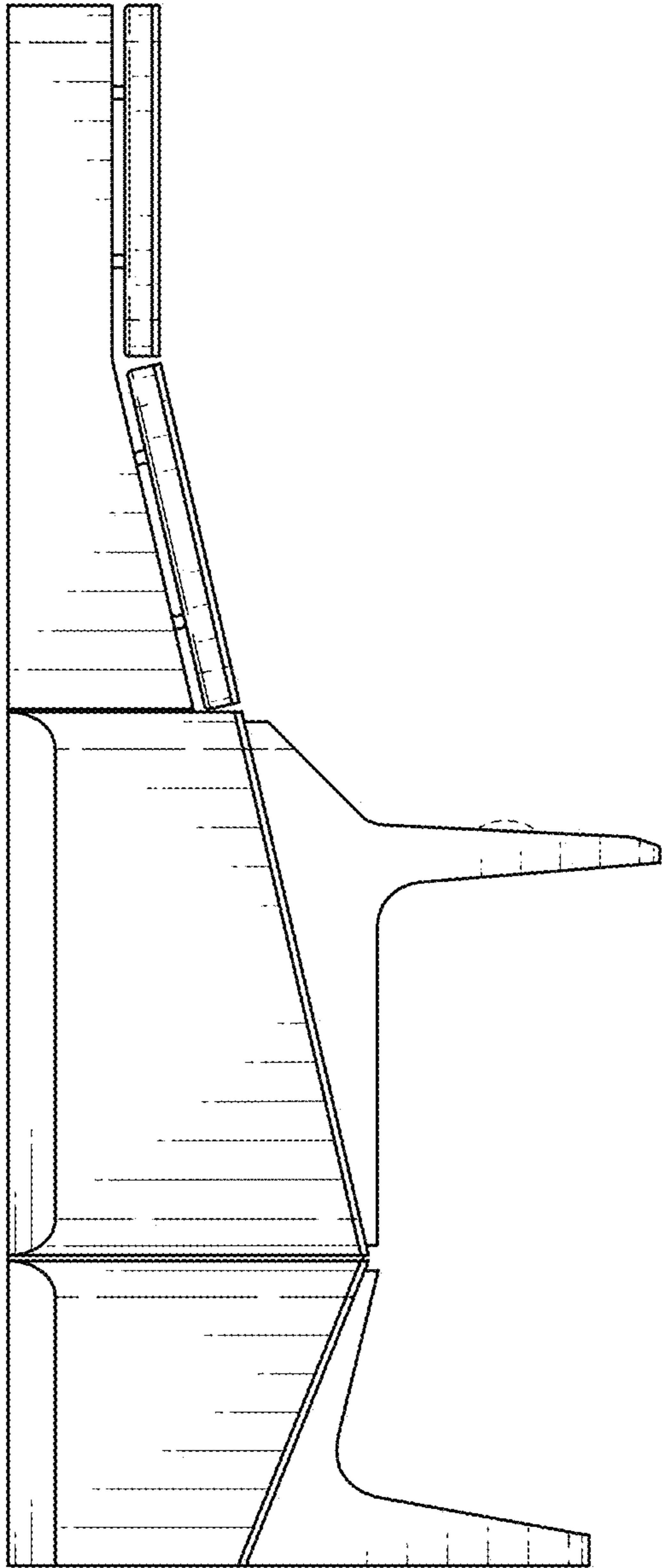


FIG. 4

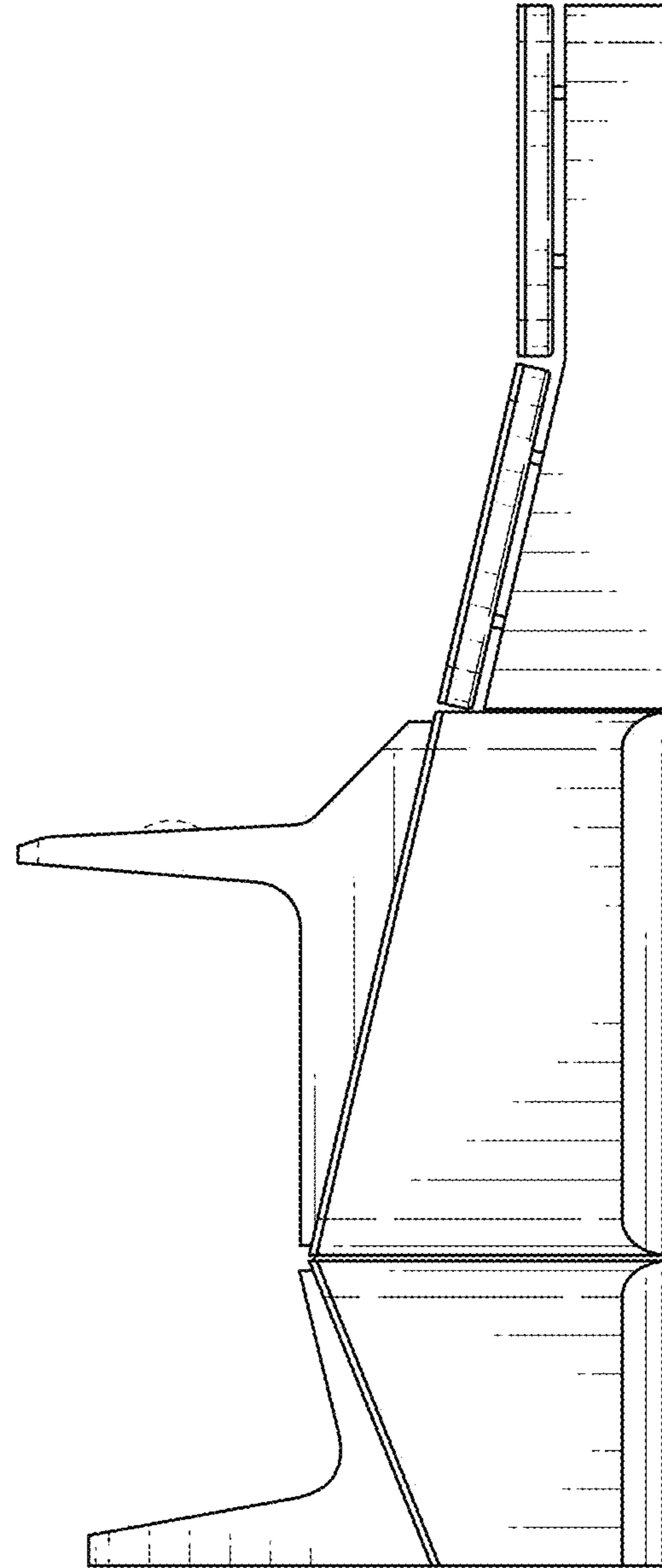


FIG. 5

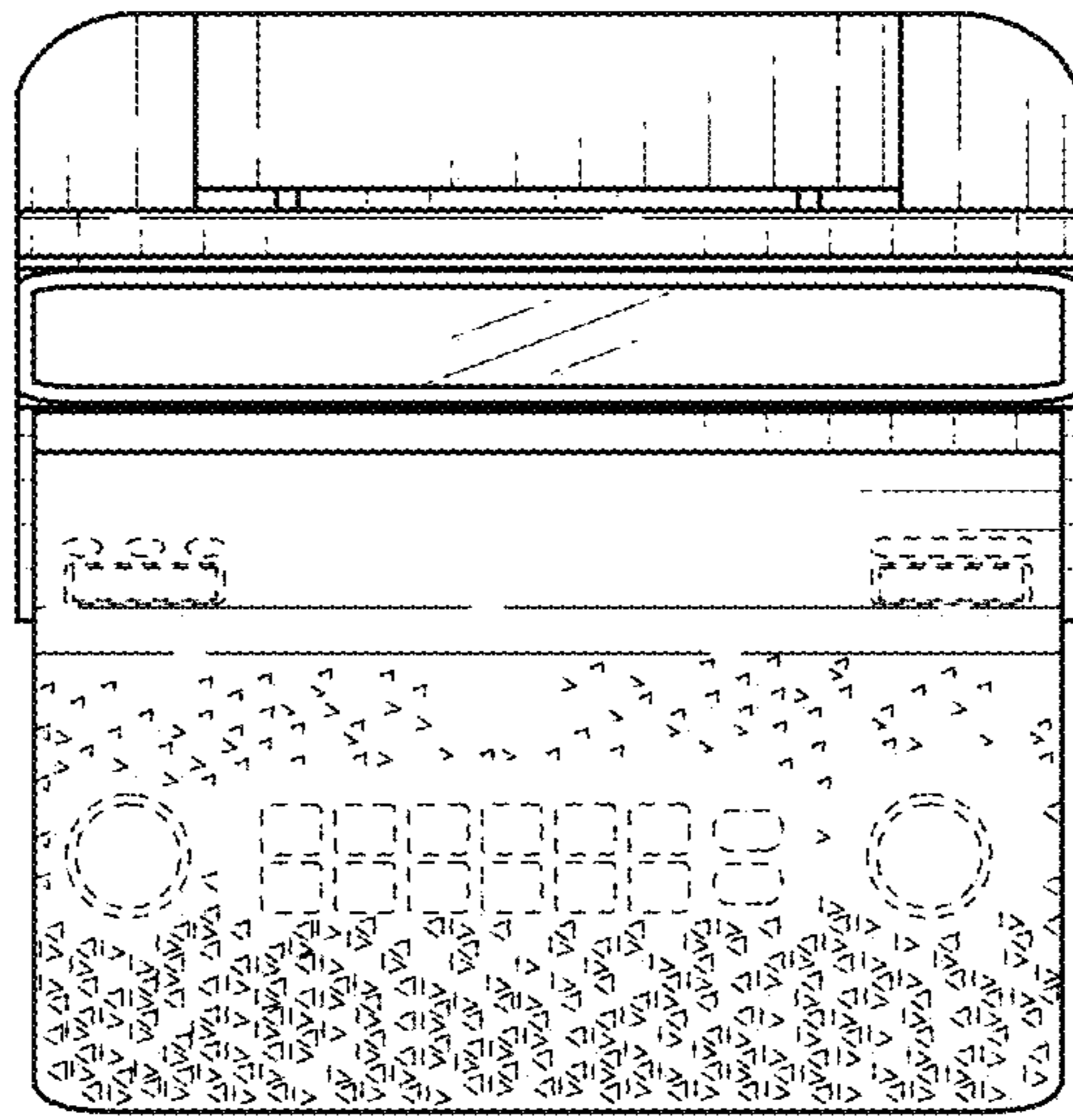


FIG. 6

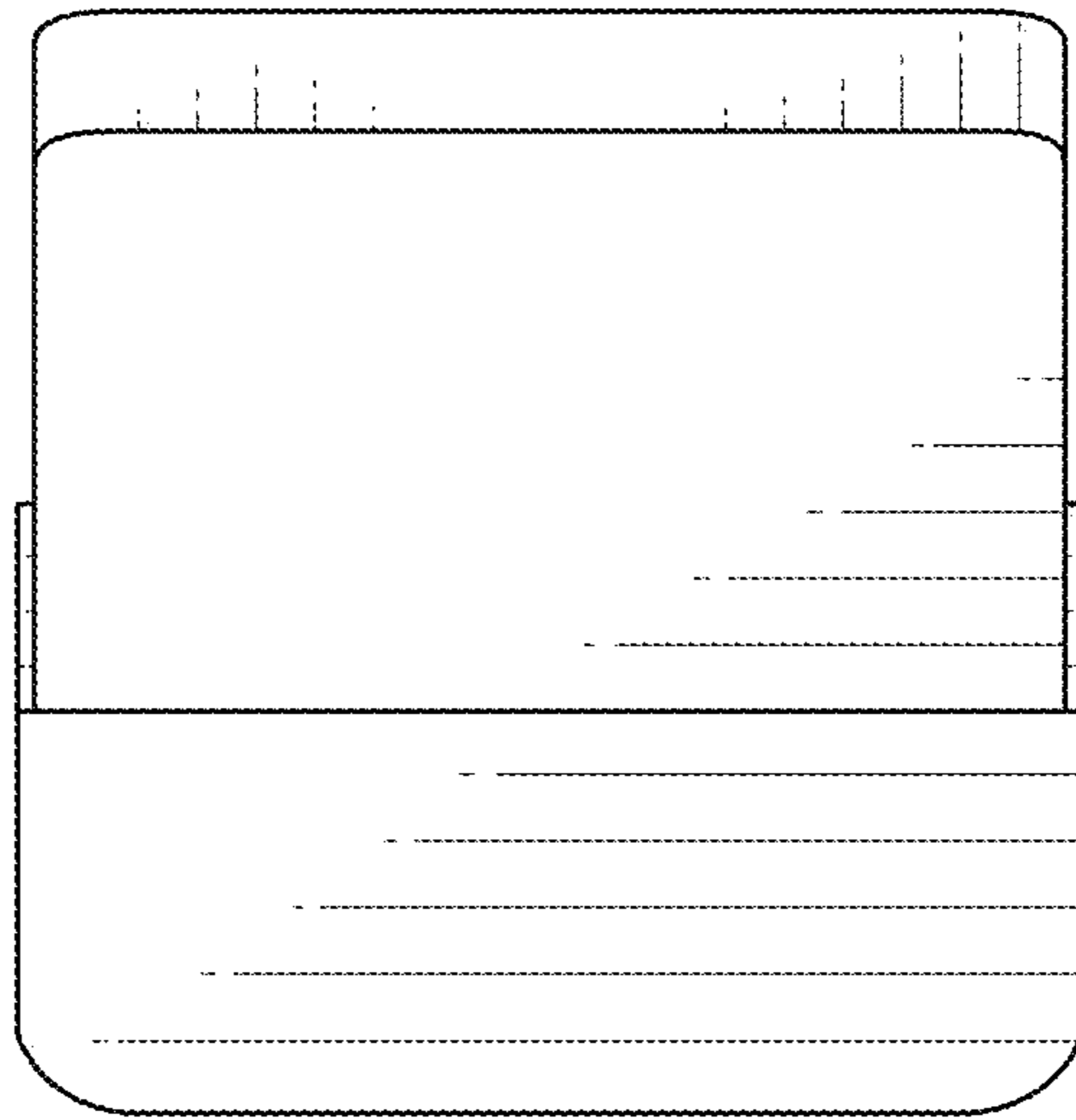


FIG. 7