



US00D988409S

(12) **United States Design Patent**
Chen et al.

(10) **Patent No.:** **US D988,409 S**
(45) **Date of Patent:** **** Jun. 6, 2023**

(54) **VR CONTROLLER GRIPS COVER SET**

(71) Applicant: **Shenzhen Zyber Innovations Technology Co., Ltd.**, Shenzhen (CN)

(72) Inventors: **Zehong Chen**, Guangdong (CN);
Zhaolin Wu, Guangdong (CN)

(73) Assignee: **Shenzhen Zyber Innovations Technology Co., Ltd.**, Shenzhen (CN)

(**) Term: **15 Years**

(21) Appl. No.: **29/883,689**

(22) Filed: **Feb. 2, 2023**

(30) **Foreign Application Priority Data**

Sep. 29, 2022 (CN) 202230647091.3

(51) **LOC (14) Cl.** **21-01**

(52) **U.S. Cl.**
USPC **D21/333**

(58) **Field of Classification Search**
USPC D14/218, 203.3, 400, 496, 125;
D13/168; D21/233

(Continued)

(56) **References Cited**

U.S. PATENT DOCUMENTS

5,181,009 A * 1/1993 Perona G04B 37/12
273/DIG. 26

D534,962 S 1/2007 Svendsen et al.
(Continued)

FOREIGN PATENT DOCUMENTS

CN 215420510 U * 1/2022
WO WO D200286-004 * 1/2021

OTHER PUBLICATIONS

Grip Cover for Oculus, ebay website 2023, site visited Feb. 23, 2023, <https://www.ebay.com/itm/334500801661>.*

Primary Examiner — John R Yeh

(74) *Attorney, Agent, or Firm* — Kunzler Bean & Adamson, PC; Michael Bartholomew

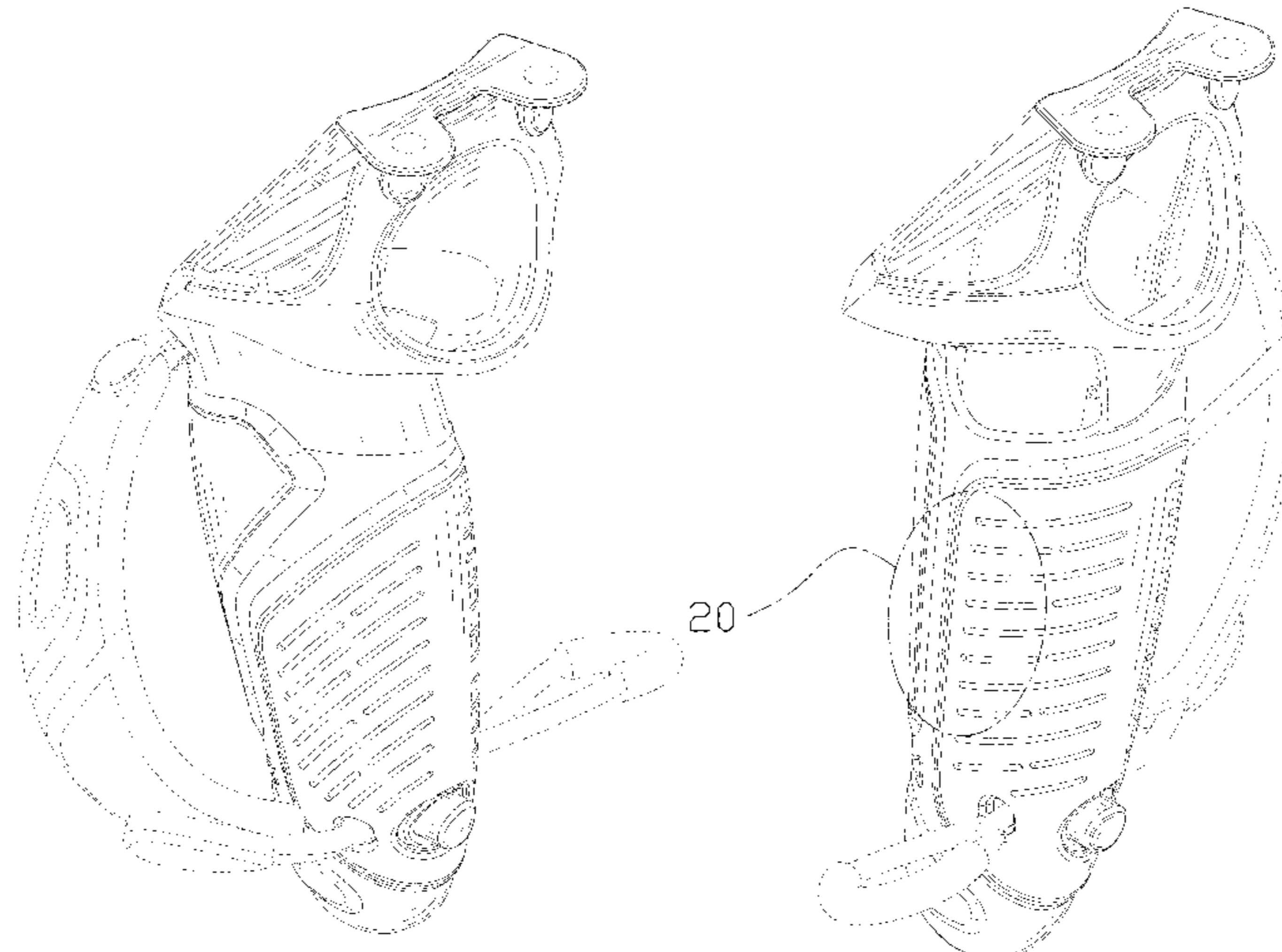
(57) **CLAIM**

The ornamental design for a VR controller grips cover set, as shown and described.

DESCRIPTION

FIG. 1 is a front, left and top perspective view of the right hand for a VR controller grips cover set, showing our design; FIG. 2 is a rear, right and top perspective view thereof; FIG. 3 is a front elevation view thereof; FIG. 4 is a rear elevation view thereof; FIG. 5 is a left side elevation view thereof; FIG. 6 is a right side elevation view thereof; FIG. 7 is a top plan view thereof; FIG. 8 is a bottom plan view thereof; FIG. 9 is a cross-sectional view of the right hand of the VR controller grips cover set of FIG. 1, taken along section line 9-9 as depicted in FIG. 4; FIG. 10 is an enlarged view of detail 10 in FIG. 2; FIG. 11 is a front, left and top perspective view of the left hand of the VR controller grips cover set; FIG. 12 is a rear, right and top perspective view thereof; FIG. 13 is a front elevation view thereof; FIG. 14 is a rear elevation view thereof; FIG. 15 is a left side elevation view thereof; FIG. 16 is a right side elevation view thereof; FIG. 17 is a top plan elevation view thereof; FIG. 18 is a bottom plan elevation view thereof; FIG. 19 is a cross-sectional view of the left hand of the VR controller grips cover set, taken along section line 19-19 as depicted in FIG. 14; and, FIG. 20 is an enlarged view of detail 20 in FIG. 11. The broken lines depict portions of the VR controller grips cover set that form no part of the claimed design. The dot-dash broken lines in FIGS. 2, 10, 11, and 20 depict the boundaries of the enlargements that form no part of the claimed design.

1 Claim, 20 Drawing Sheets



- (58) **Field of Classification Search**
 CPC G06F 3/014; G06F 3/0202; A63F 13/24
 See application file for complete search history.

(56) **References Cited**

U.S. PATENT DOCUMENTS

D752,152	S	*	3/2016	Kissoon	D21/333
D780,807	S	*	3/2017	Chen	D21/333
D802,055	S	*	11/2017	Chen	D21/333
D802,627	S	*	11/2017	Mangum	D14/496
D806,173	S	*	12/2017	Britt	D14/401
D812,144	S	*	3/2018	Chandrasiri	D21/333
D812,693	S	*	3/2018	Chen	D21/333
D815,210	S		4/2018	Chen et al.		
D817,300	S	*	5/2018	Bristol	D21/333
10,007,339	B2	*	6/2018	Long	G06T 7/292
D851,086	S	*	6/2019	Chen	D14/401
10,386,922	B2	*	8/2019	Andersen	G06F 3/014
D883,283	S	*	5/2020	Chen	D21/333
D891,430	S		7/2020	Lee		
D899,424	S	*	10/2020	Chen	D21/333
10,845,895	B1	*	11/2020	Jentz	G06F 3/0304
D904,406	S	*	12/2020	Wei	D21/333
D905,165	S	*	12/2020	Adams	D21/333
D907,040	S	*	1/2021	Hornung	D21/333
D923,097	S	*	6/2021	Zhao	D21/333
D945,418	S	*	3/2022	Wei	D21/333
2008/0226134	A1	*	9/2008	Stetten	G06F 3/0317 340/407.1
2017/0277508	A1	*	9/2017	Carthen	G08C 17/02
2018/0099219	A1	*	4/2018	Hope	A63F 13/213
2021/0197080	A1	*	7/2021	Su	A63F 13/24

* cited by examiner



FIG. 1

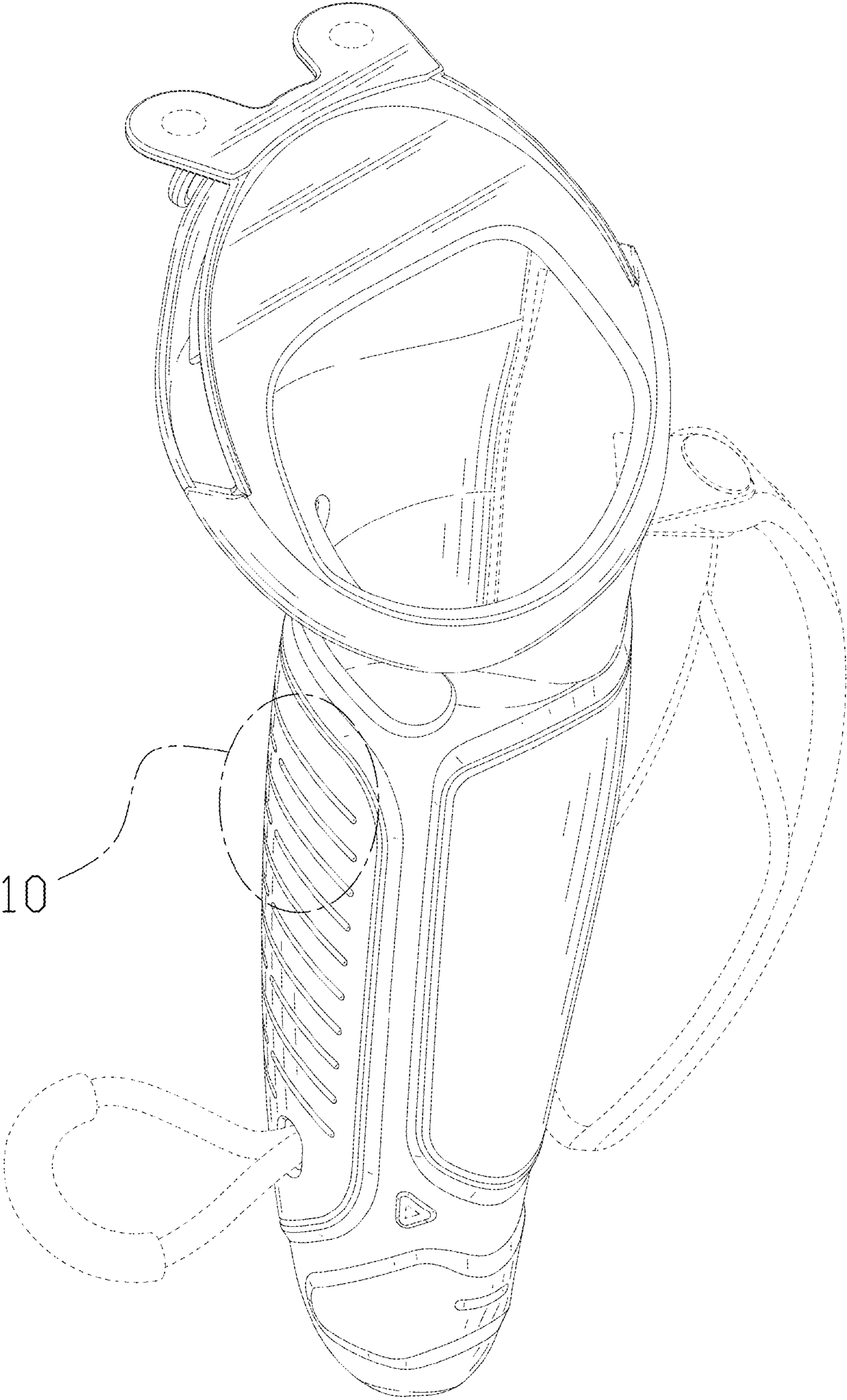


FIG. 2

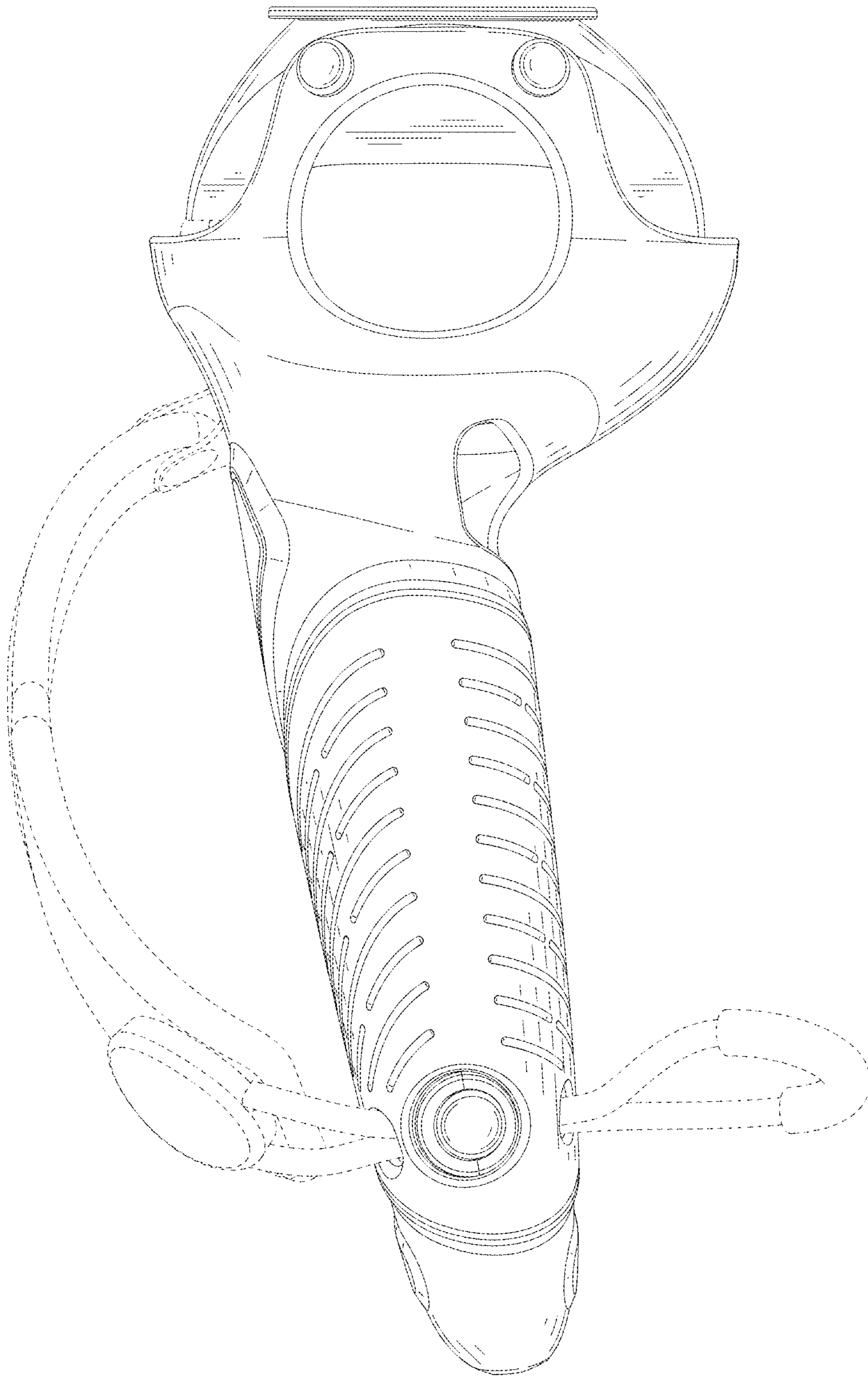


FIG. 3

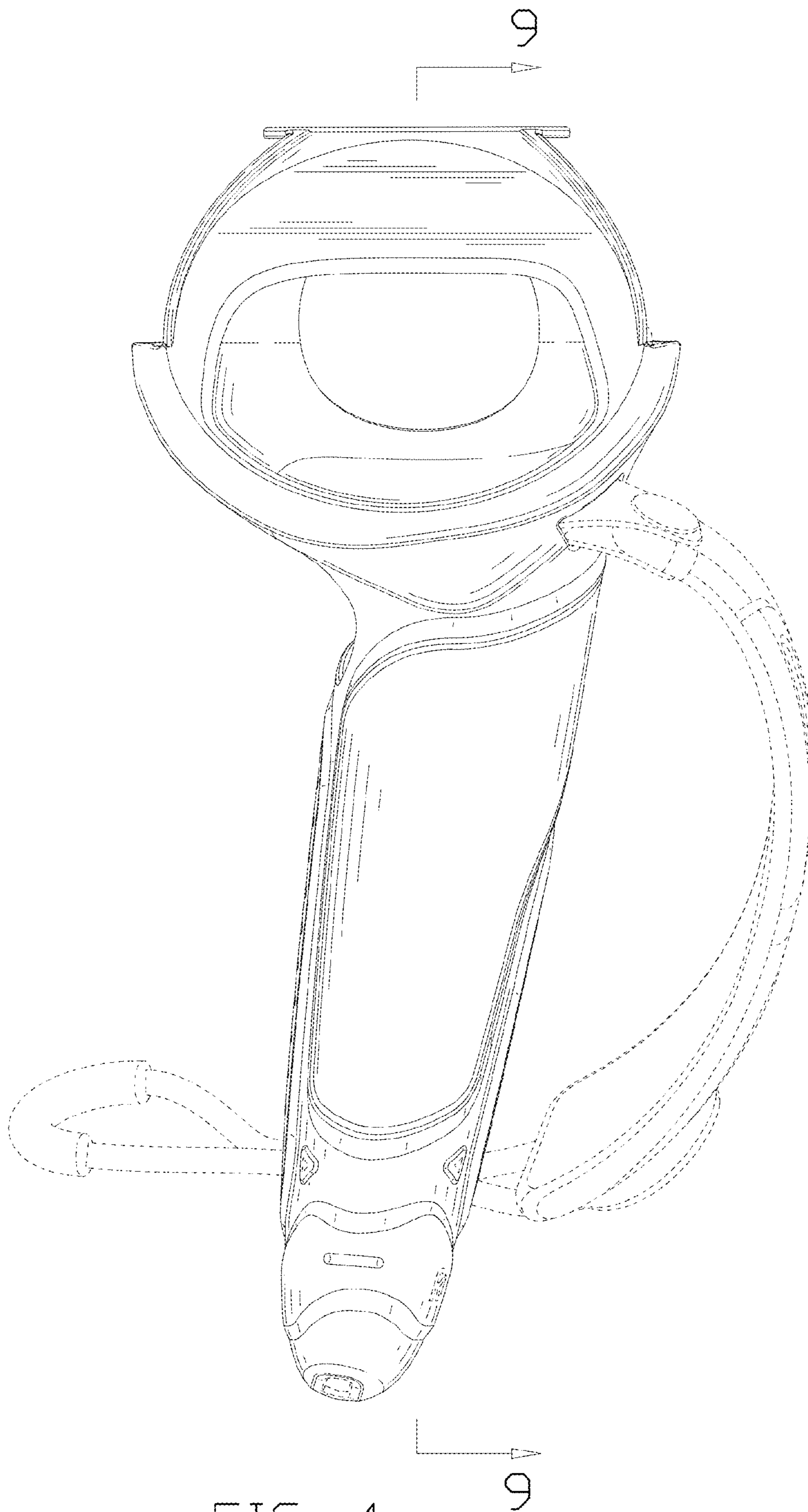


FIG. 4

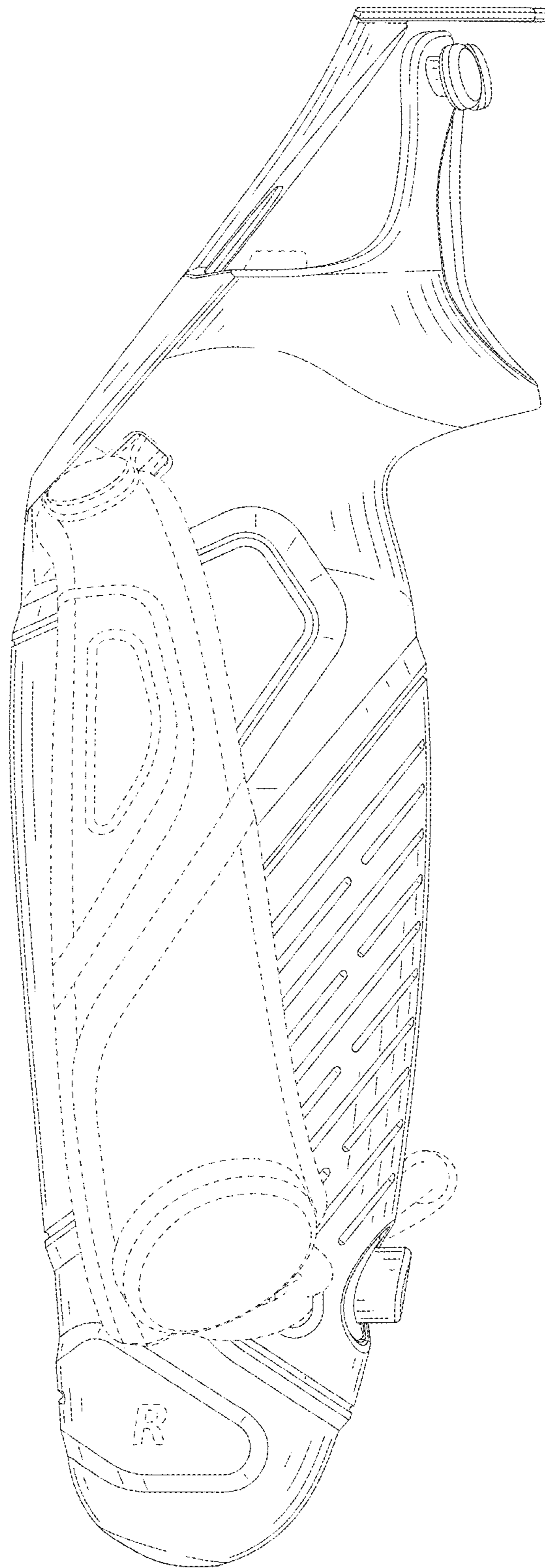


FIG. 5

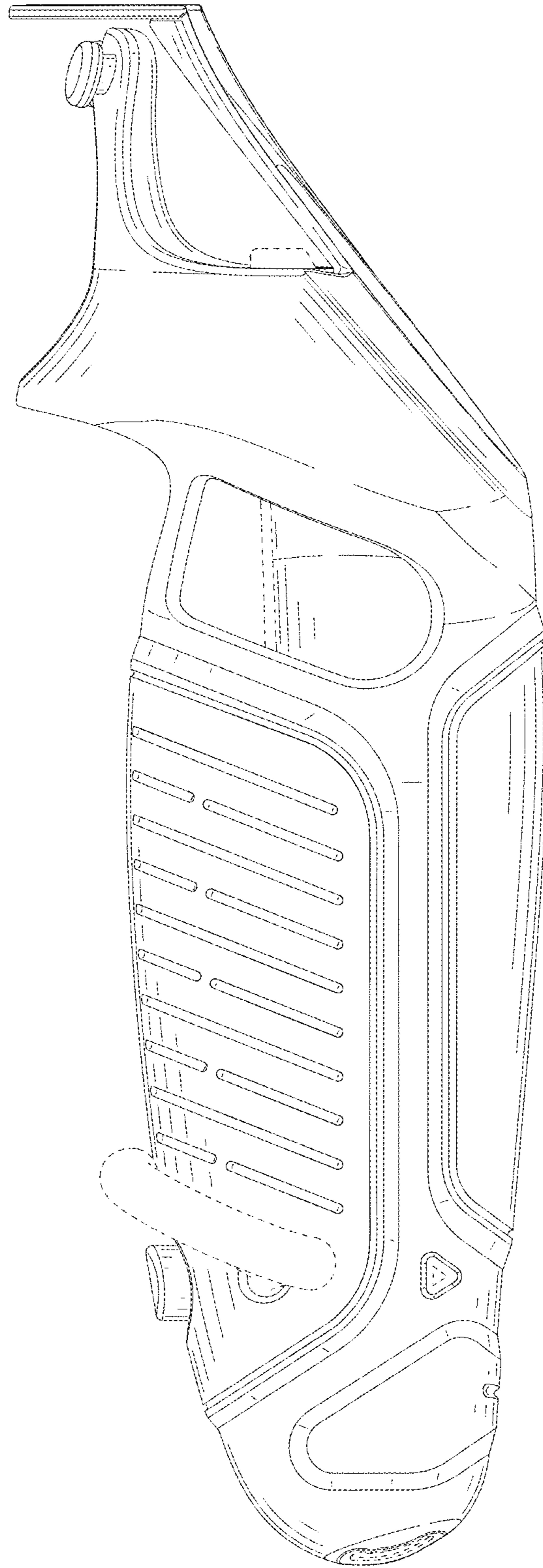


FIG. 6

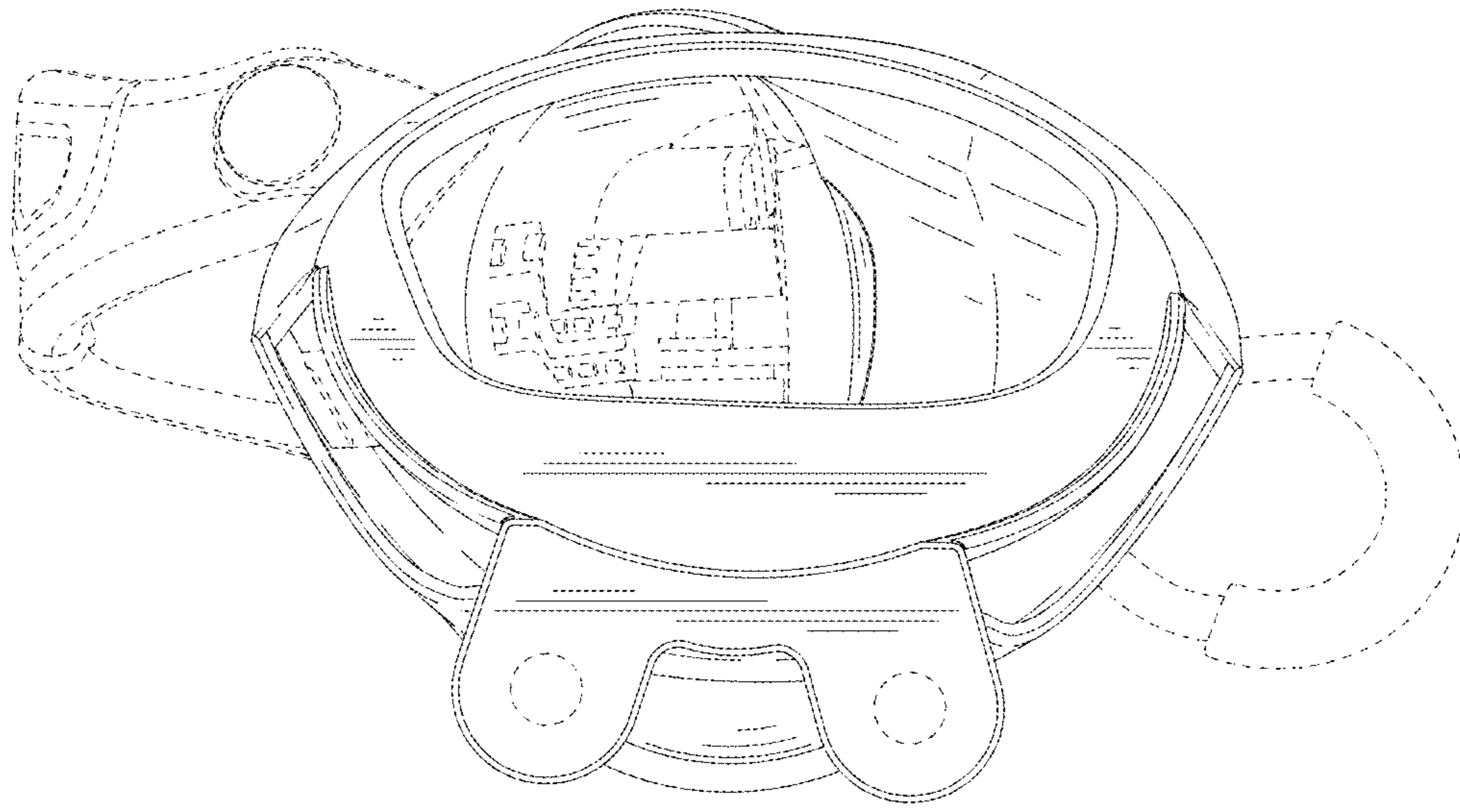


FIG. 7

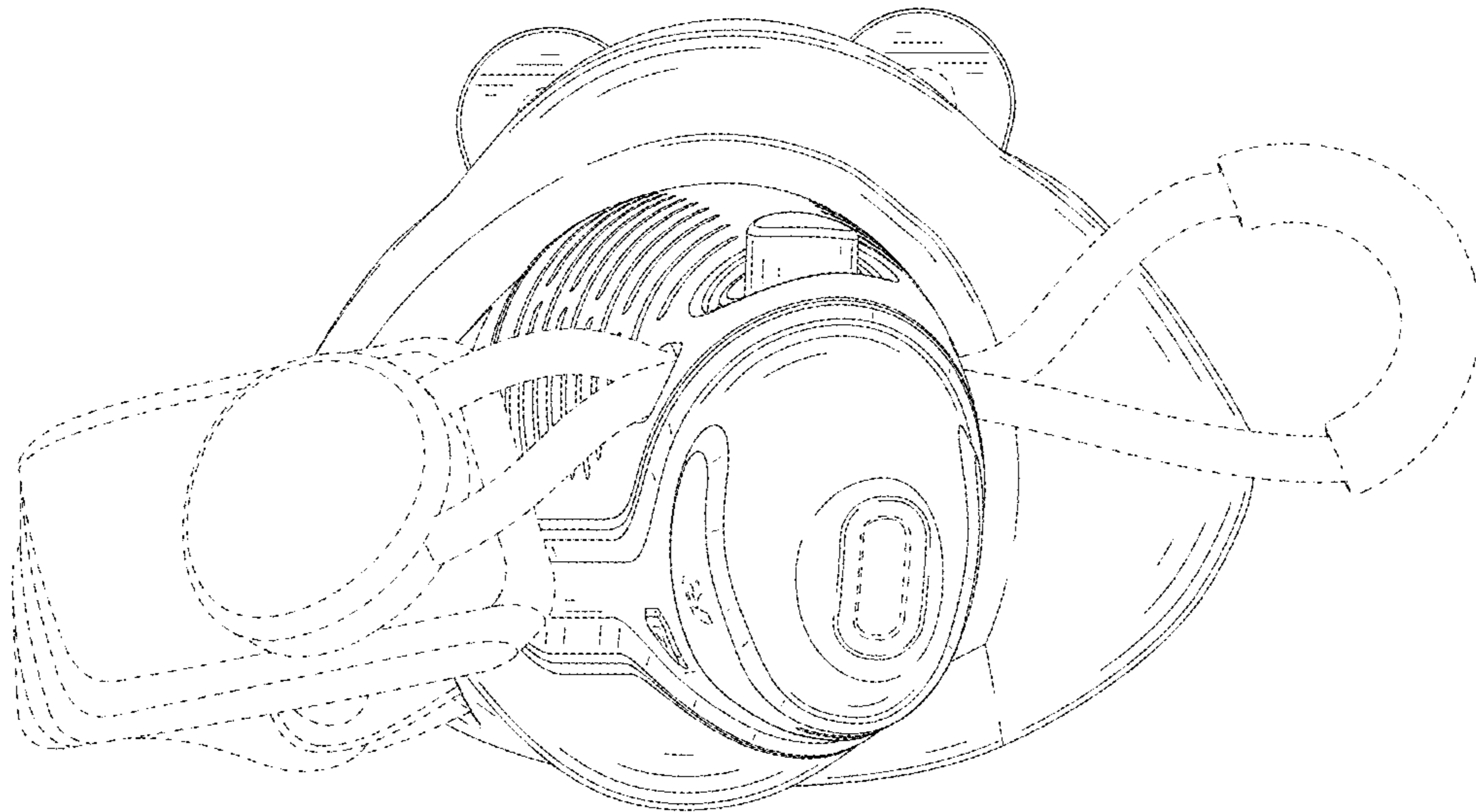


FIG. 8

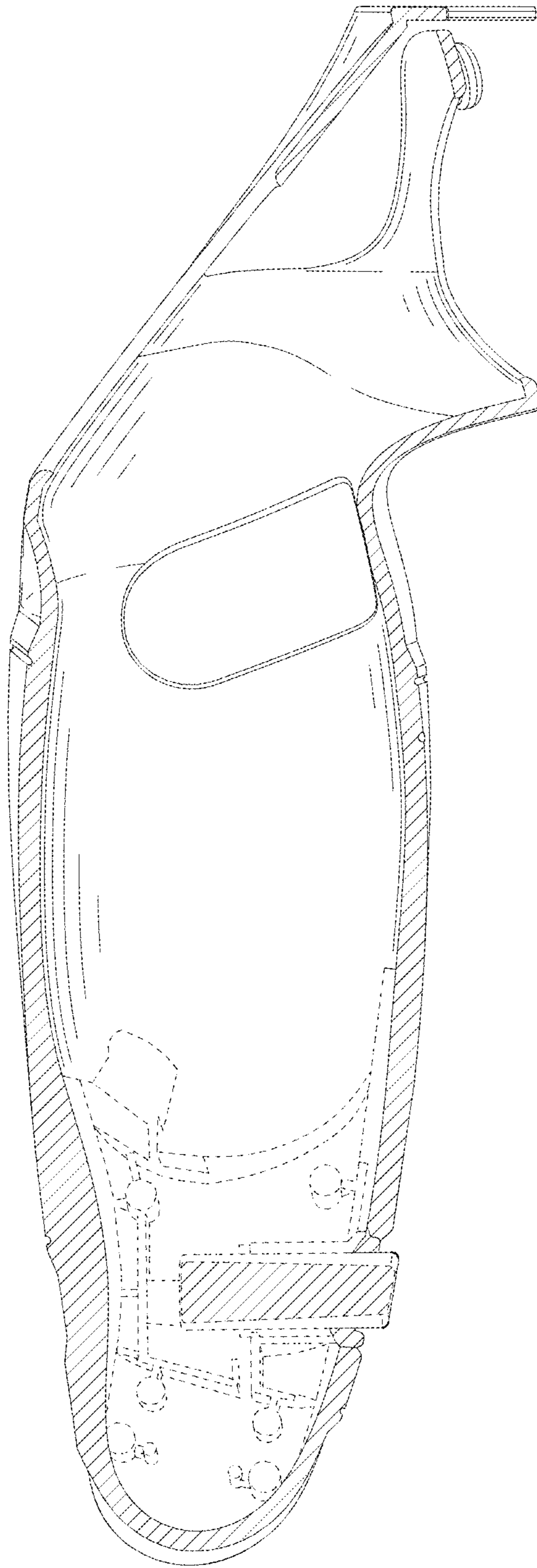


FIG. 9

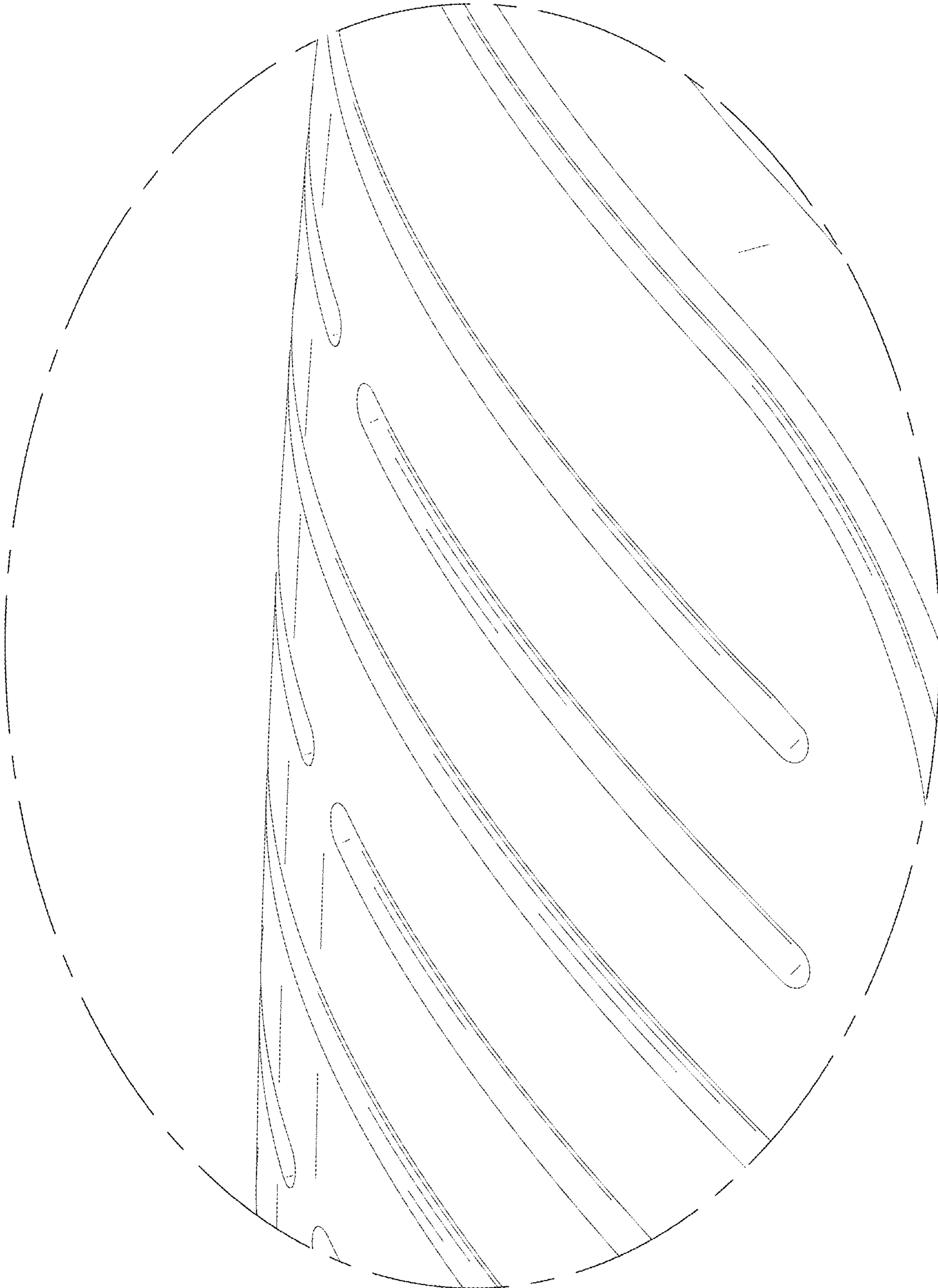


FIG. 10

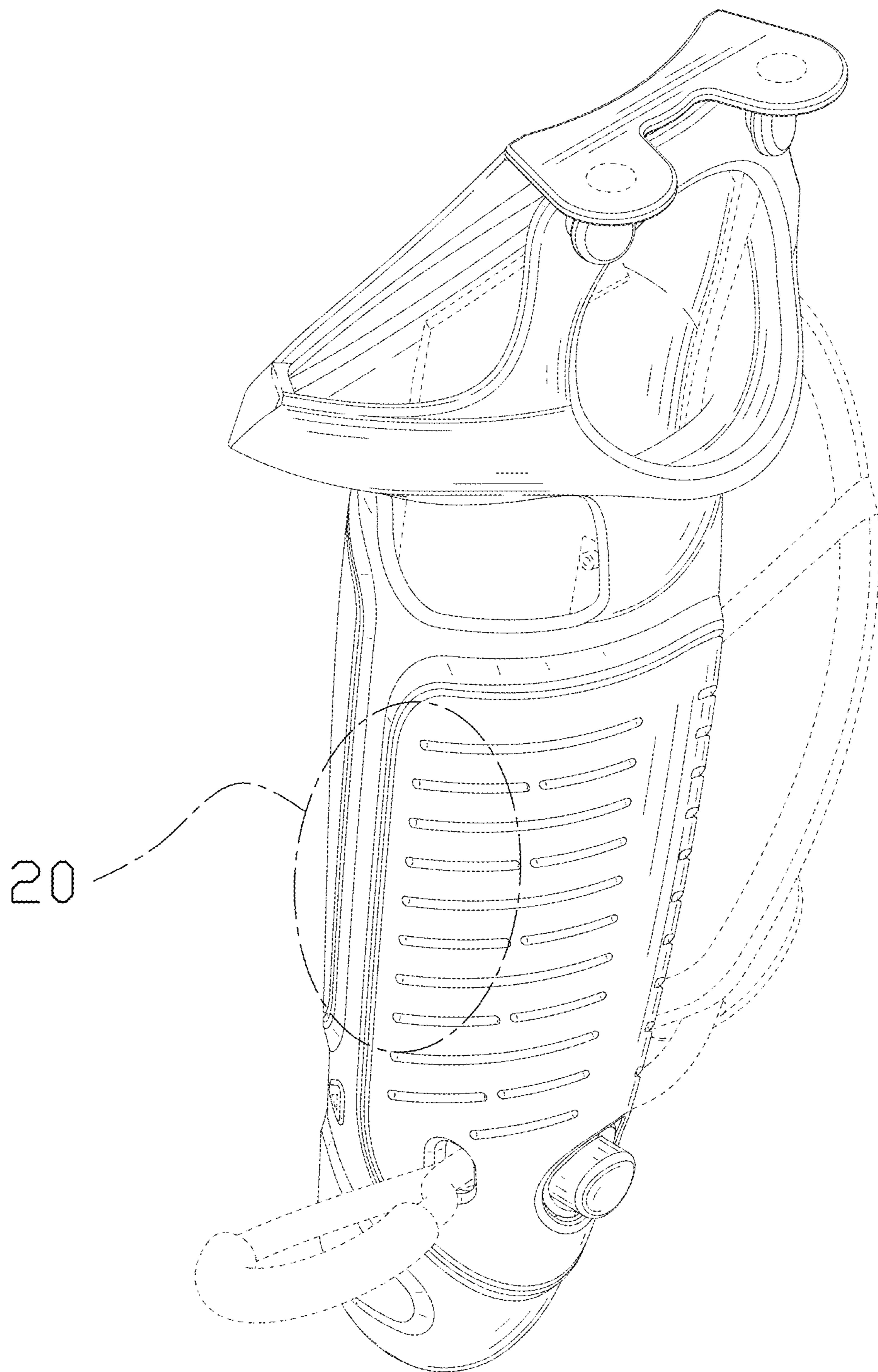


FIG. 11

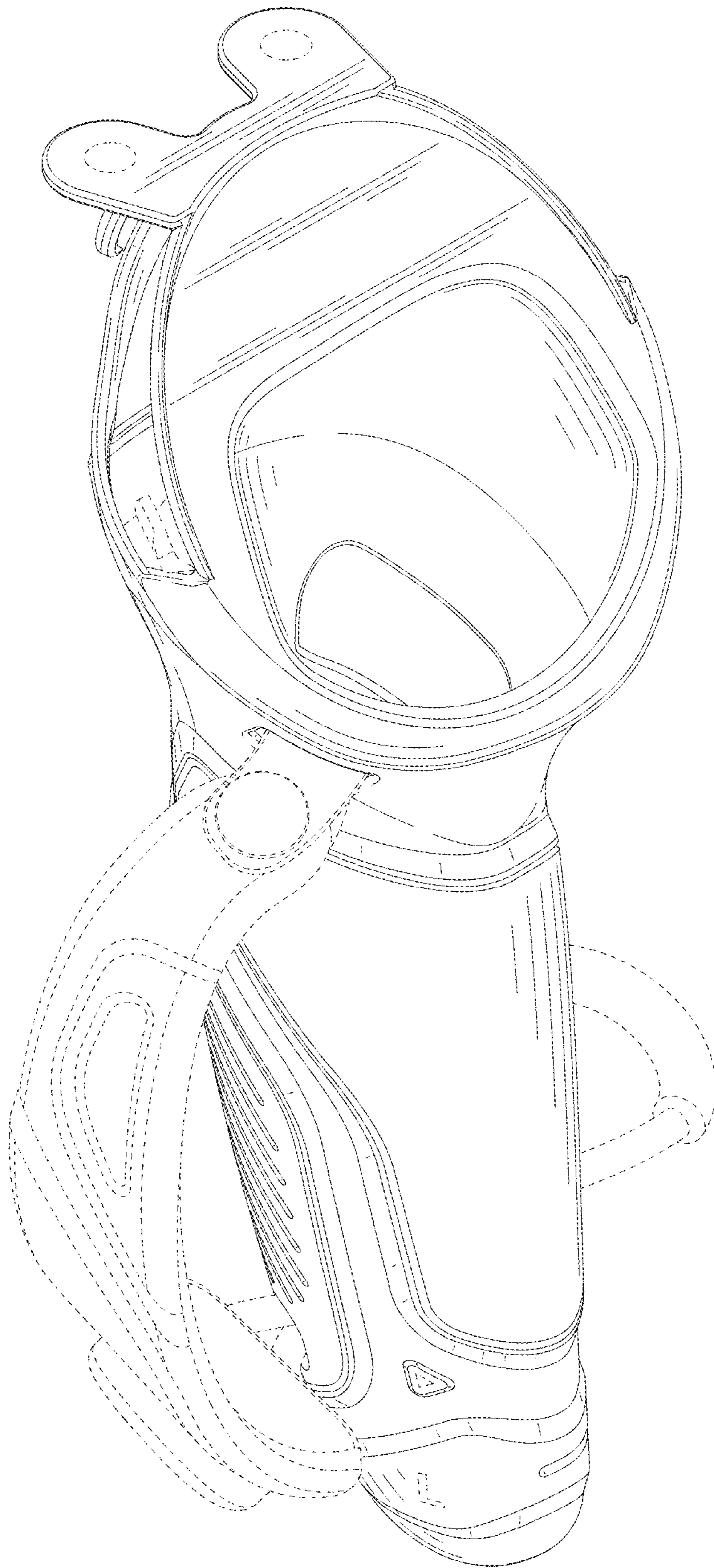


FIG. 12

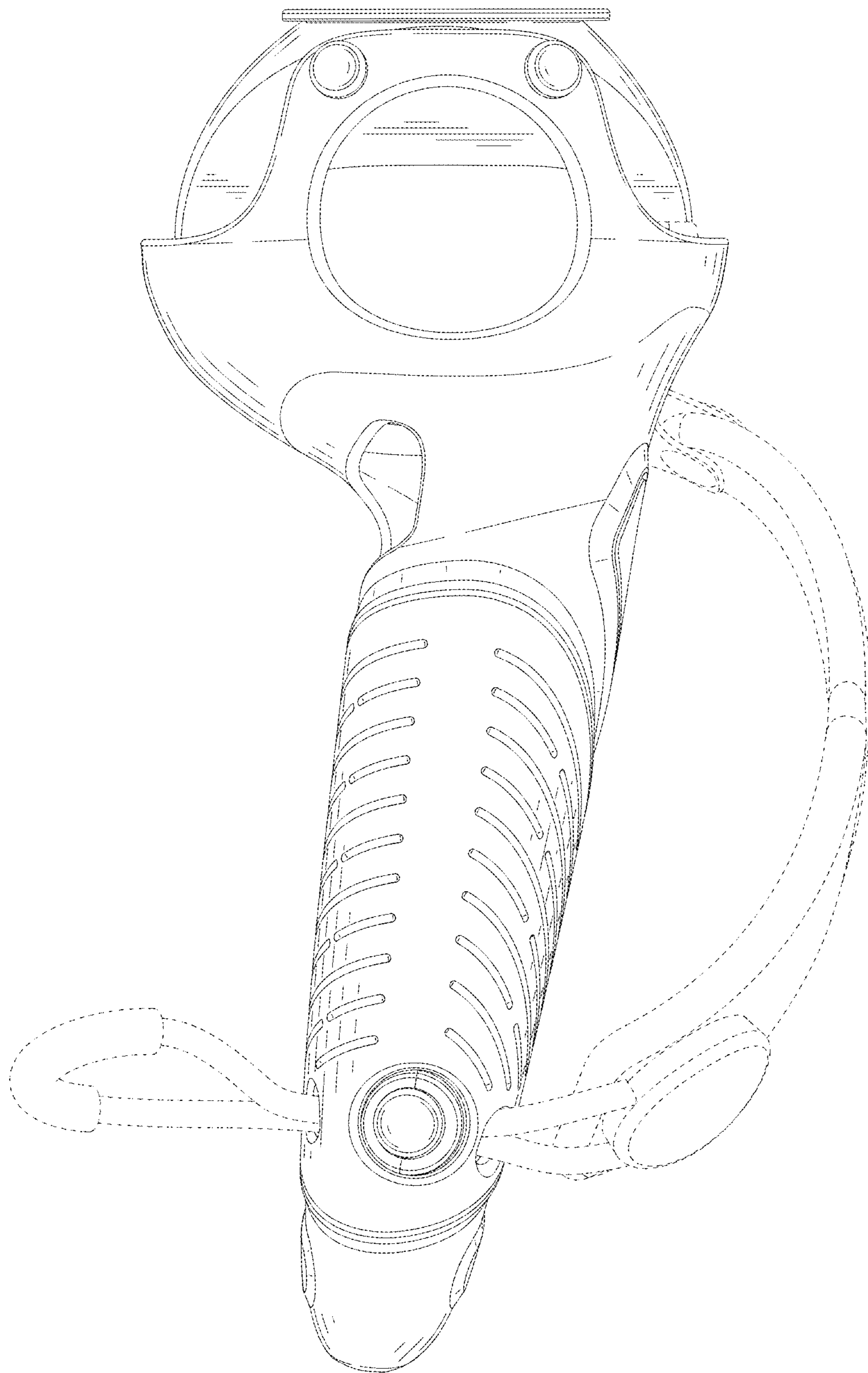


FIG. 13

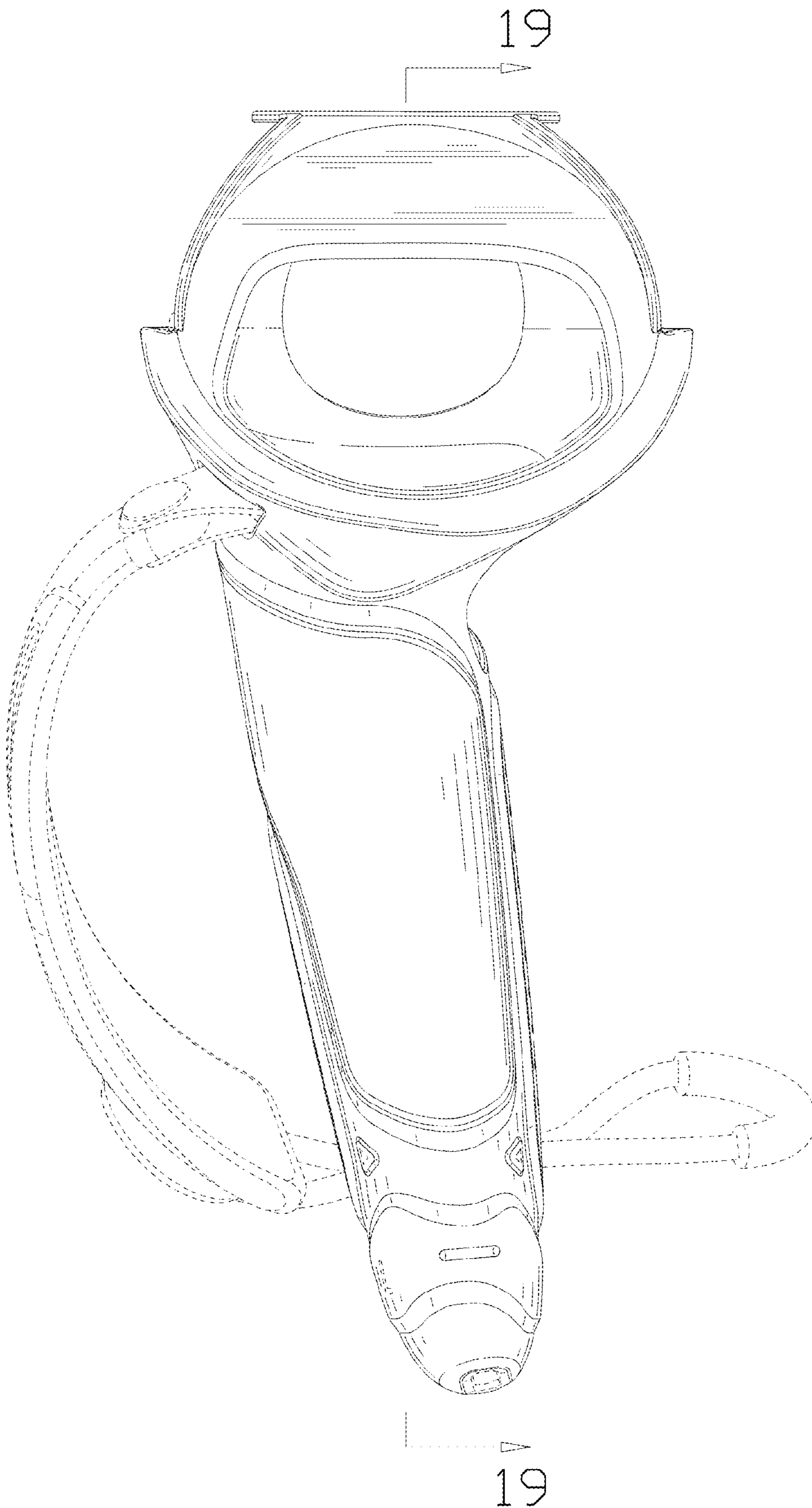


FIG. 14

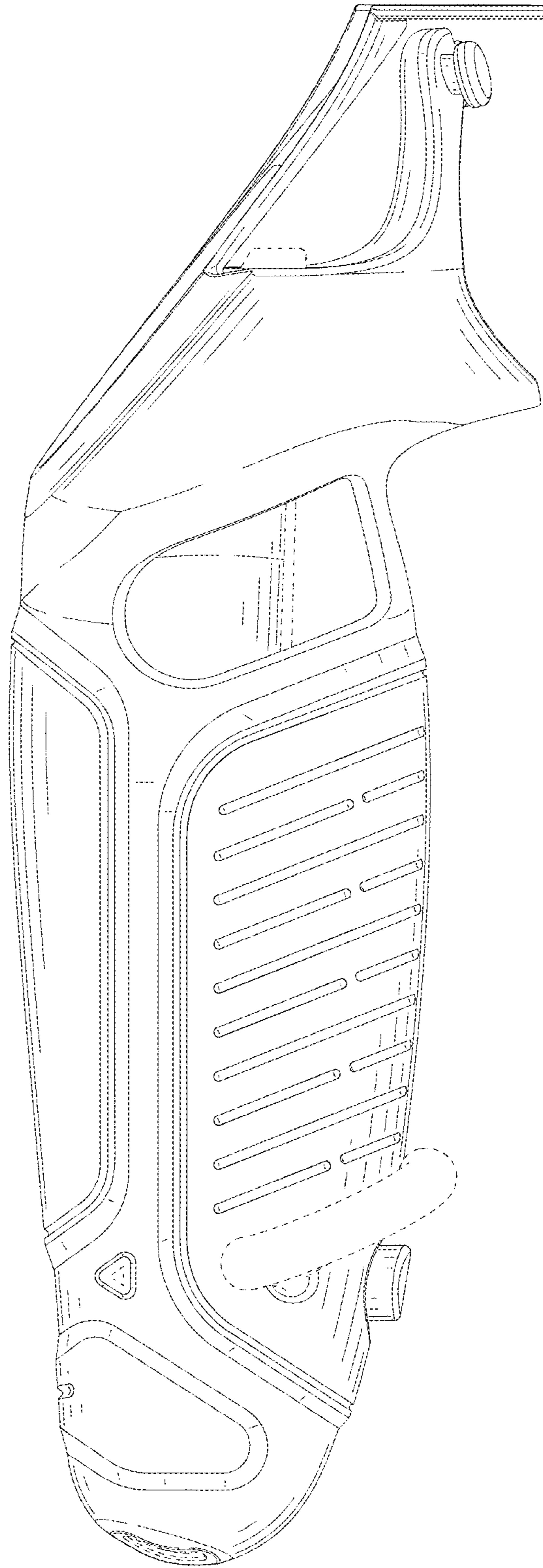


FIG. 15

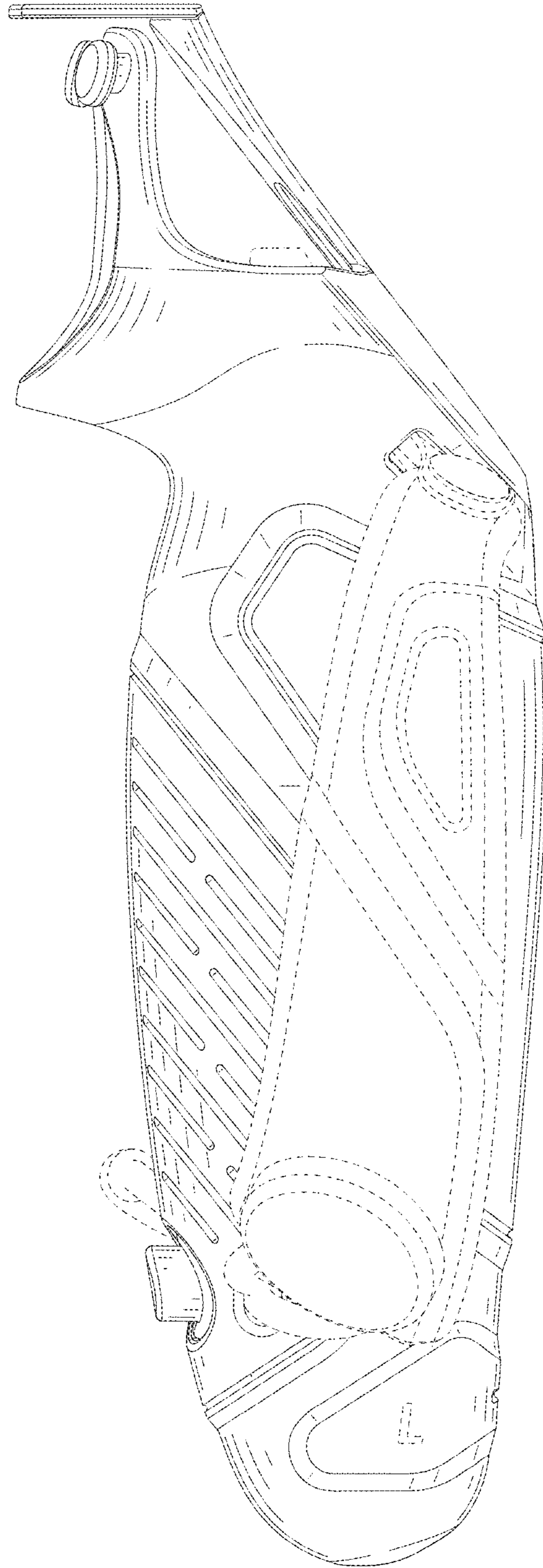


FIG. 16

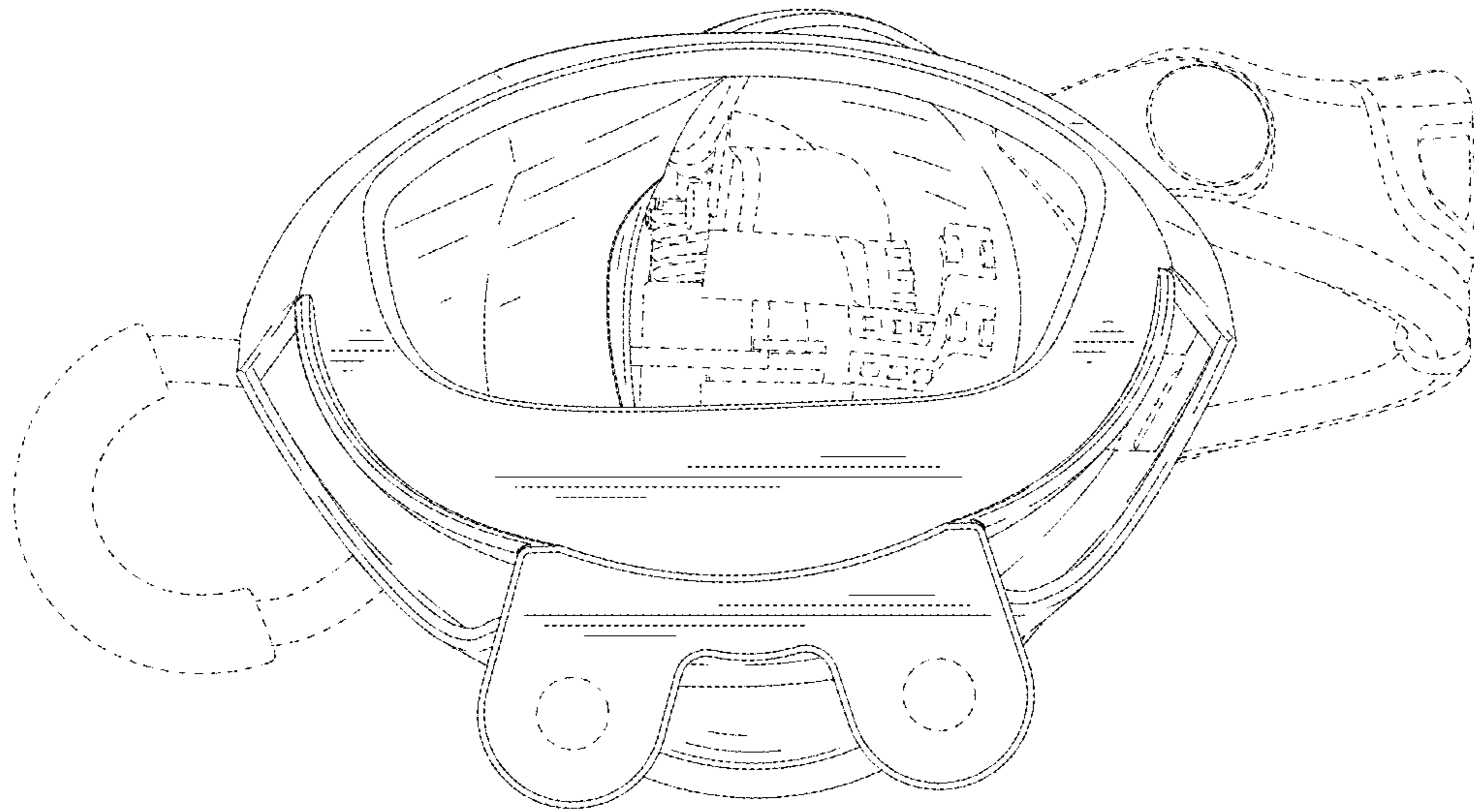


FIG. 17

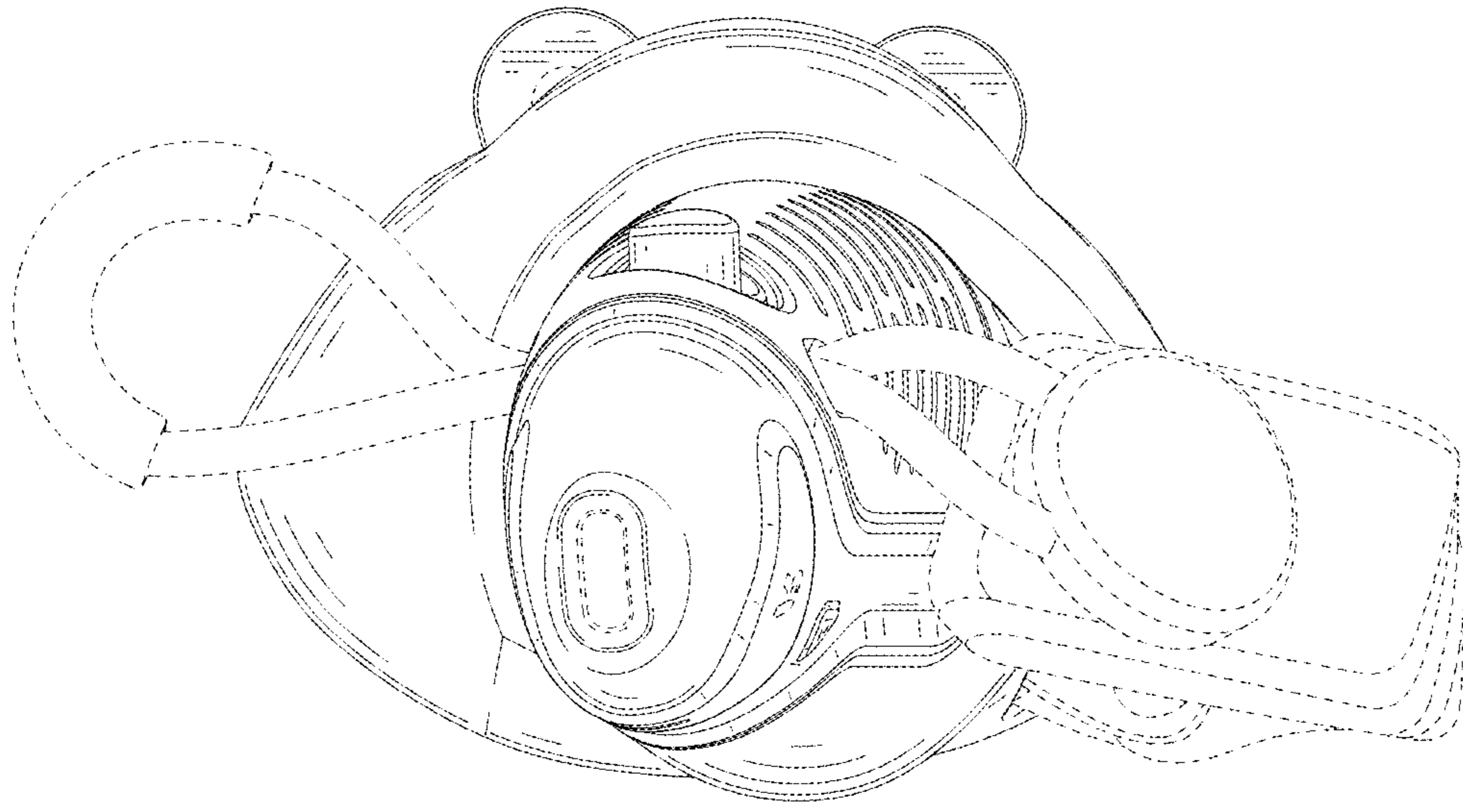


FIG. 18

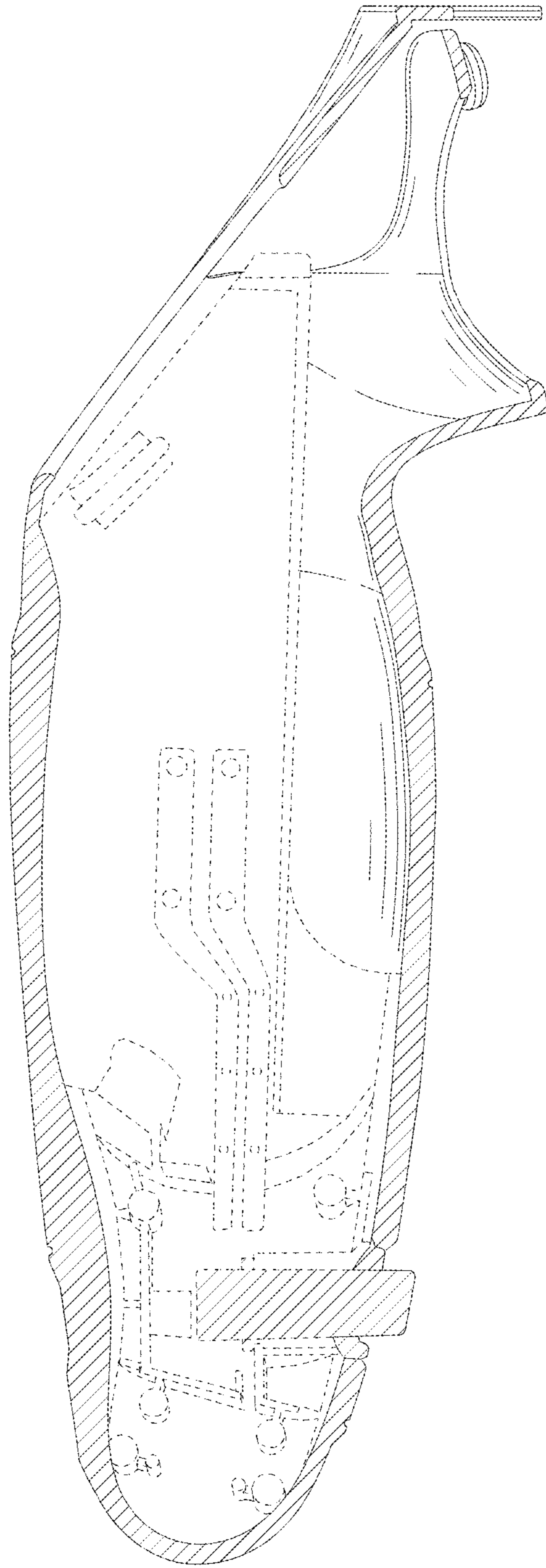


FIG. 19

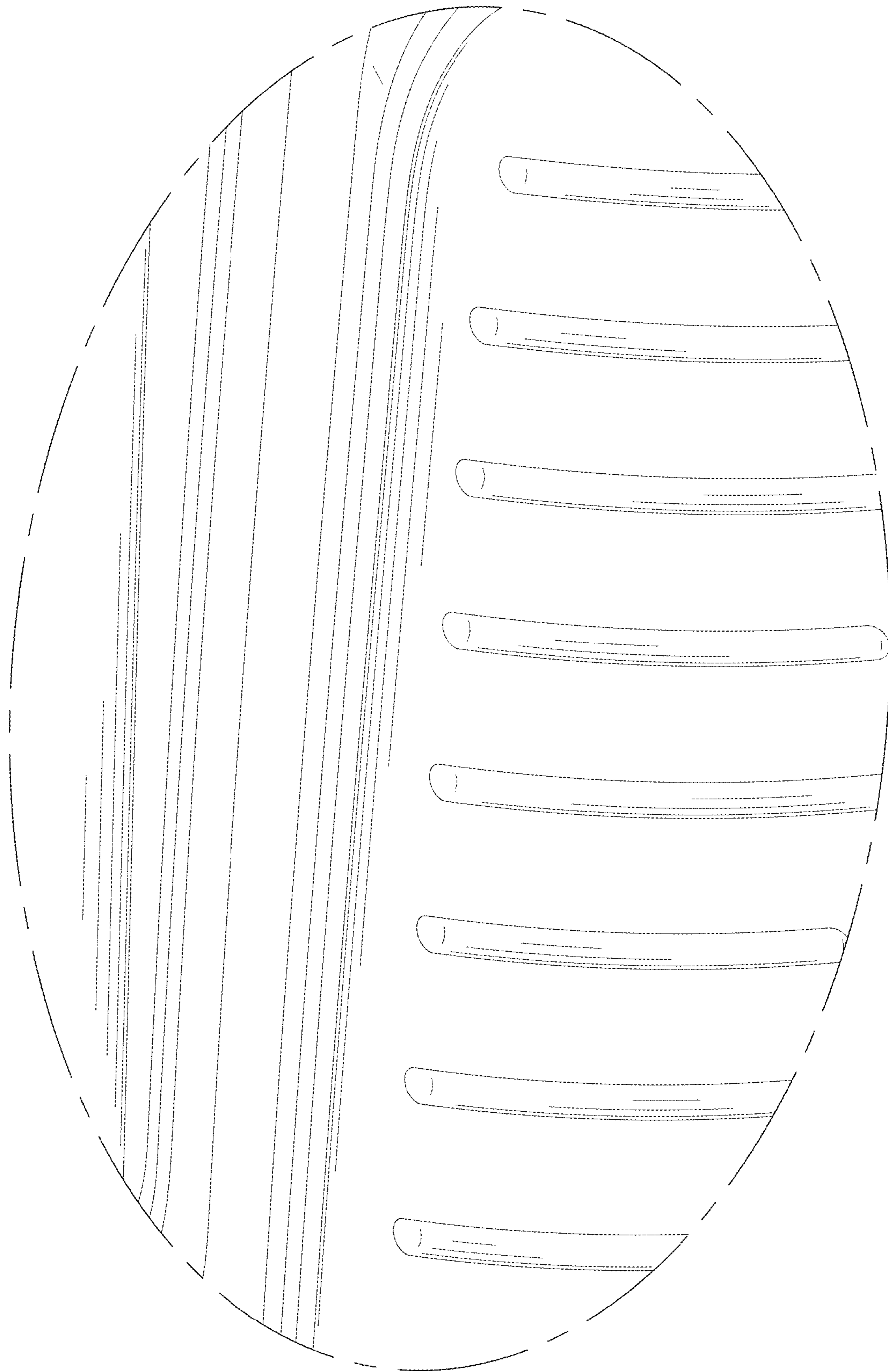


FIG. 20