



US00D988408S

(12) **United States Design Patent** (10) **Patent No.:** **US D988,408 S**
You (45) **Date of Patent:** **** Jun. 6, 2023**

(54) **GAME PLAYER HANDLE HAVING A BRACKET**
(71) Applicant: **Shenzhen Zhuoyue Electronic Commerce Co., Ltd., Guangdong (CN)**
(72) Inventor: **Jiali You, Guangdong (CN)**
(73) Assignee: **Shenzhen Zhuoyue Electronic Commerce Co., Ltd., Guangdong (GN)**
(**) Term: **15 Years**
(21) Appl. No.: **29/778,999**
(22) Filed: **Apr. 15, 2021**
(51) **LOC (14) Cl.** **21-01**
(52) **U.S. Cl.**
USPC **D21/333; D14/253**
(58) **Field of Classification Search**
USPC D21/333; D8/72, 80, 349, 353, 354;
D14/253, 418, 447; D16/242, 243;
D13/118; D6/682.3; D12/223, 400, 415,
D12/417
CPC F16M 13/022; F16M 11/041; F16M 13/00;
F16M 13/02; F16M 11/10
See application file for complete search history.

(56) **References Cited**
U.S. PATENT DOCUMENTS
D376,805 S * 12/1996 Johansson D8/349
D381,338 S * 7/1997 Johansson D8/349
D603,840 S * 11/2009 Lee D14/239
D703,676 S * 4/2014 Smith D14/447
D710,946 S * 8/2014 Biheller D14/401
D733,526 S * 7/2015 Delrue D8/349
D816,674 S * 5/2018 Wu D14/401
D839,869 S * 2/2019 Wang D14/447
D840,997 S * 2/2019 Chen D14/253

D844,716 S * 4/2019 Gan D14/401
D852,560 S * 7/2019 Cochrane D6/682.3
D853,377 S * 7/2019 Crandon D8/349
D866,547 S * 11/2019 Godman D14/447
D872,014 S * 1/2020 Zhang D13/108
D874,452 S * 2/2020 Chen D14/252
D879,090 S * 3/2020 Chung D12/415
D883,274 S * 5/2020 Liu D14/253
D884,711 S * 5/2020 Zhang D14/447
D886,201 S * 6/2020 Kanter D21/333
D895,733 S * 9/2020 Kanter D21/333
D898,730 S * 10/2020 Comelek D14/253
D904,387 S * 12/2020 Zhang D14/447
D905,692 S * 12/2020 Fuchs D21/333
D909,481 S * 2/2021 Liu D21/333
D925,435 S * 7/2021 Tung D12/415
D931,291 S * 9/2021 Lye D14/447
D931,849 S * 9/2021 Qiu D14/253

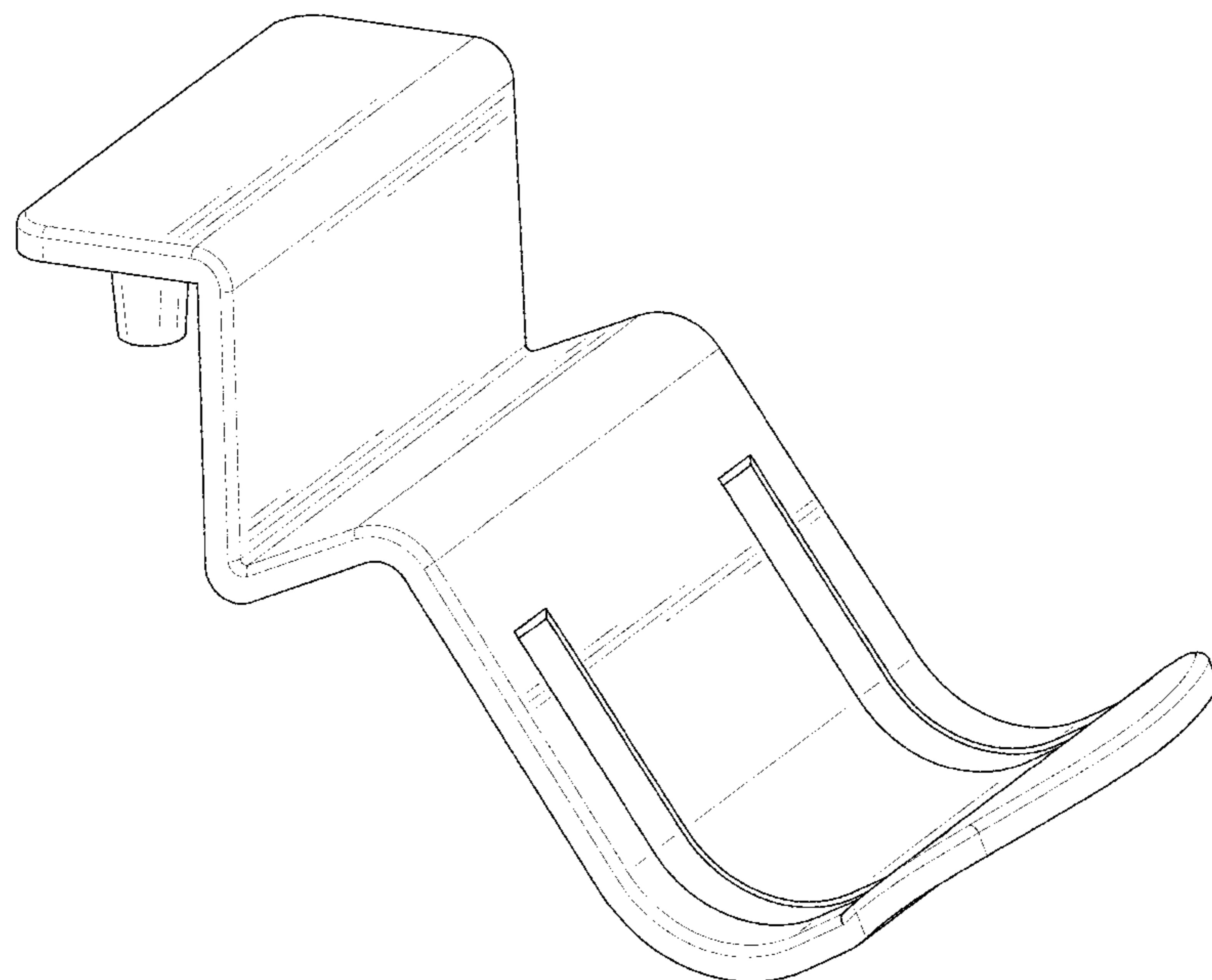
(Continued)

Primary Examiner — Mehri F Bajoul
(74) *Attorney, Agent, or Firm* — ScienBiziP, P.C.

(57) **CLAIM**
The ornamental design for a game player handle having a bracket, as shown and described.

DESCRIPTION
FIG. 1 is a front, right, and top perspective view of a game player handle having a bracket, showing my design.
FIG. 2 is a rear, left, and bottom perspective view thereof.
FIG. 3 is a front elevation view thereof.
FIG. 4 is a rear elevation view thereof.
FIG. 5 is a left side elevation view thereof.
FIG. 6 is a right side elevation view thereof.
FIG. 7 is a top plan view thereof; and,
FIG. 8 is a bottom plan view thereof.
The broken lines in FIGS. 2 and 8 depict portions of the game player handle having a bracket that forms no part of the claimed design.

1 Claim, 8 Drawing Sheets



(56)

References Cited

U.S. PATENT DOCUMENTS

D932,554 S * 10/2021 Tong A63F 13/24
D21/333
D934,172 S * 10/2021 Lin D13/118
D934,234 S * 10/2021 Deng D14/447
D940,700 S * 1/2022 Yongren D14/447
D944,240 S * 2/2022 Ye D14/253
D944,786 S * 3/2022 Liu D14/447
D944,806 S * 3/2022 Zhang D14/251
D946,570 S * 3/2022 Ded D14/349
D968,383 S * 11/2022 Nahum D14/253
D968,932 S * 11/2022 DeDios-Shirley F16B 45/00
D8/354
2014/0364232 A1 * 12/2014 Cramer A63F 13/98
463/37
2015/0174482 A1 * 6/2015 Hirshberg A63F 13/92
463/37
2020/0282309 A1 * 9/2020 Liao A63F 13/92
2020/0353369 A1 * 11/2020 Esselstrom F16B 2/22
2020/0398171 A1 * 12/2020 McDole A63F 13/98

* cited by examiner

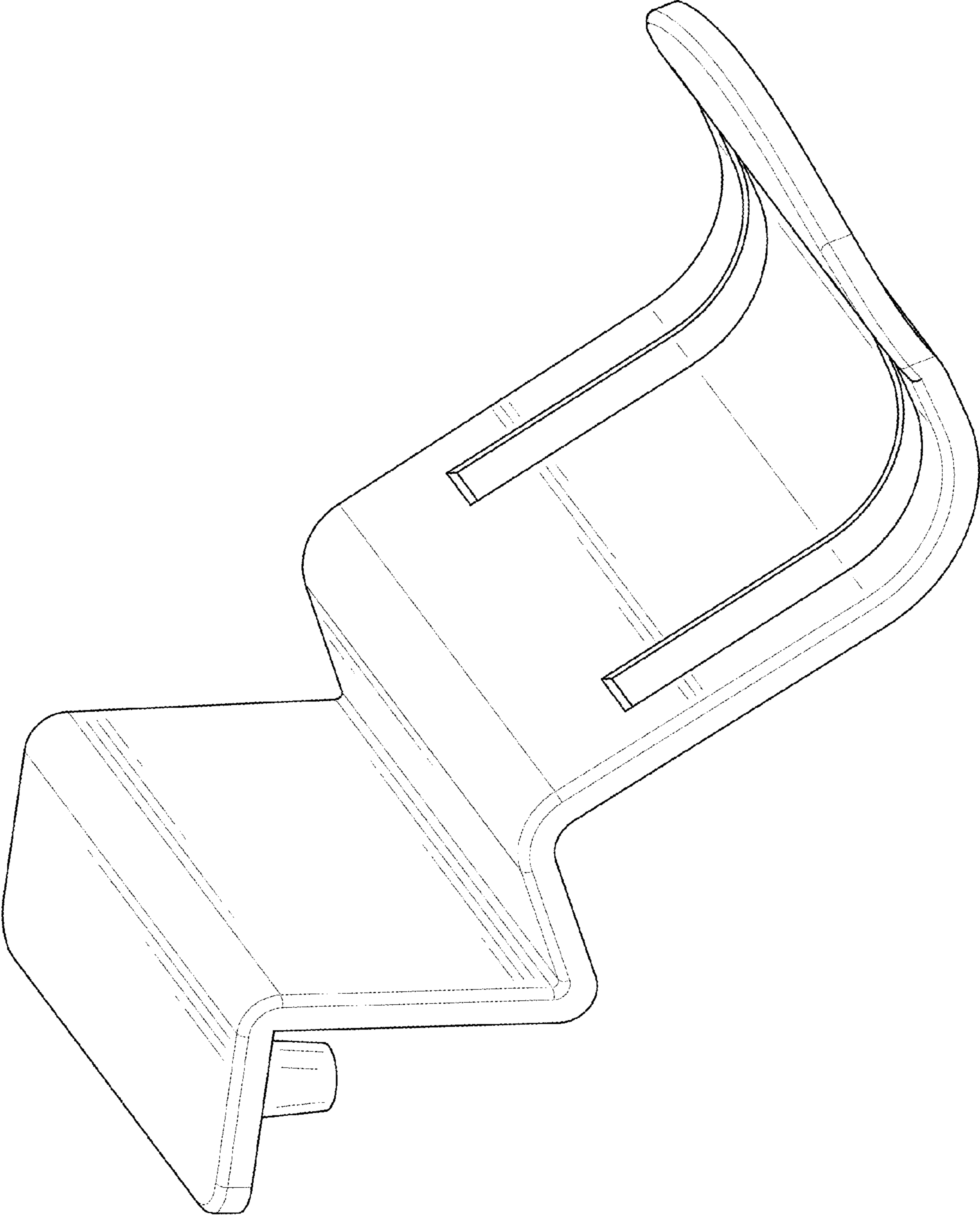


FIG.1

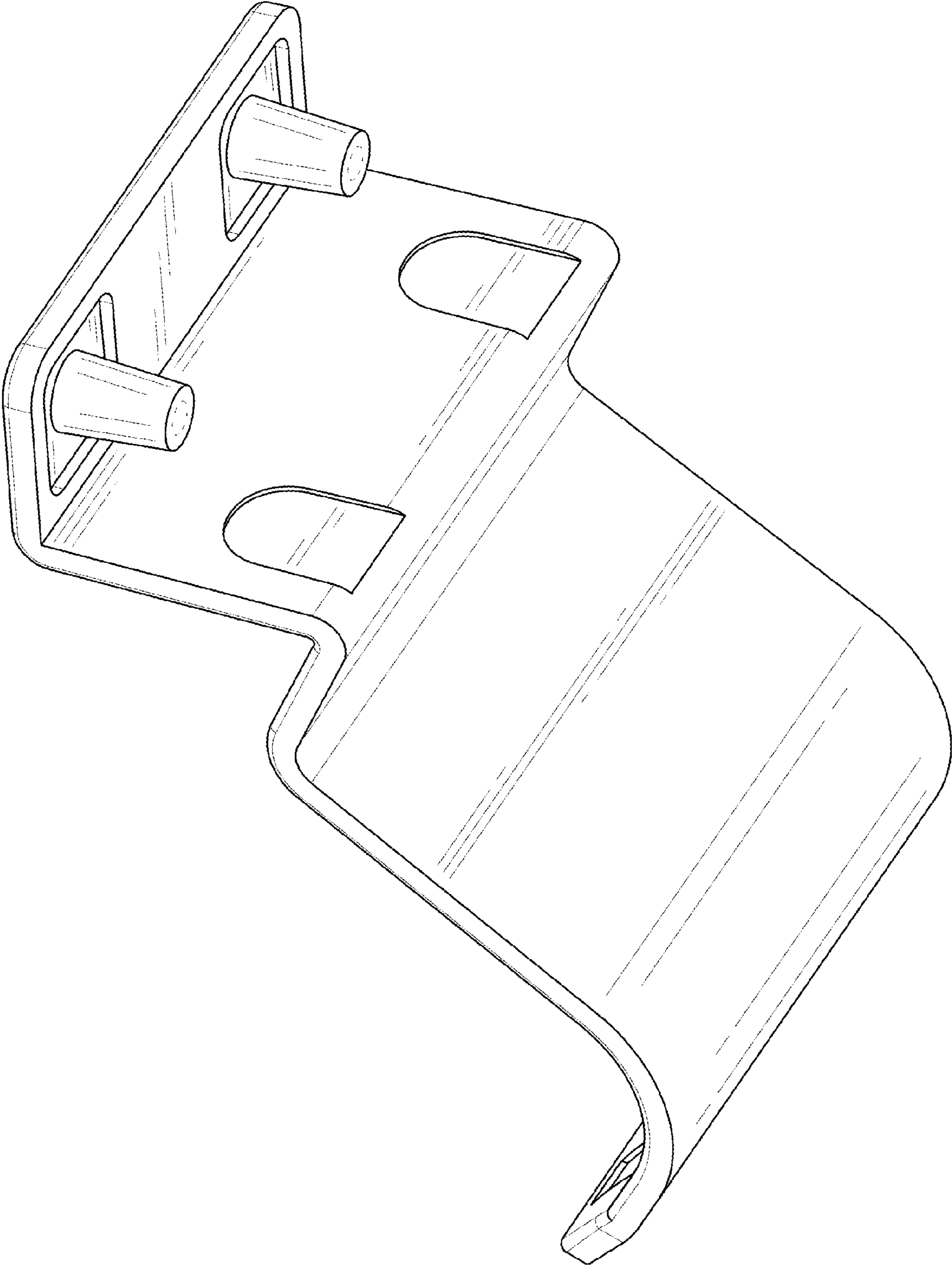


FIG.2

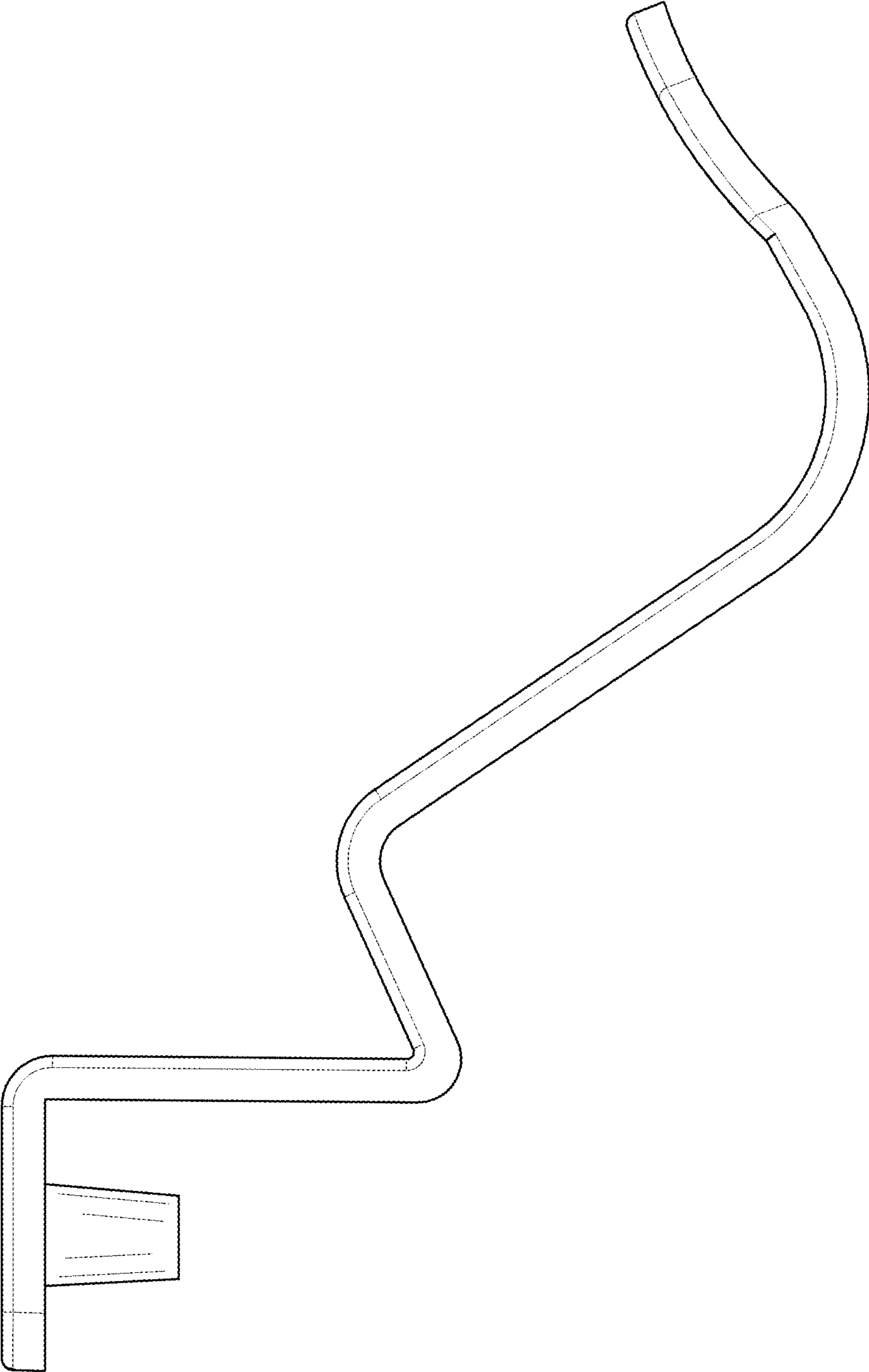


FIG.3

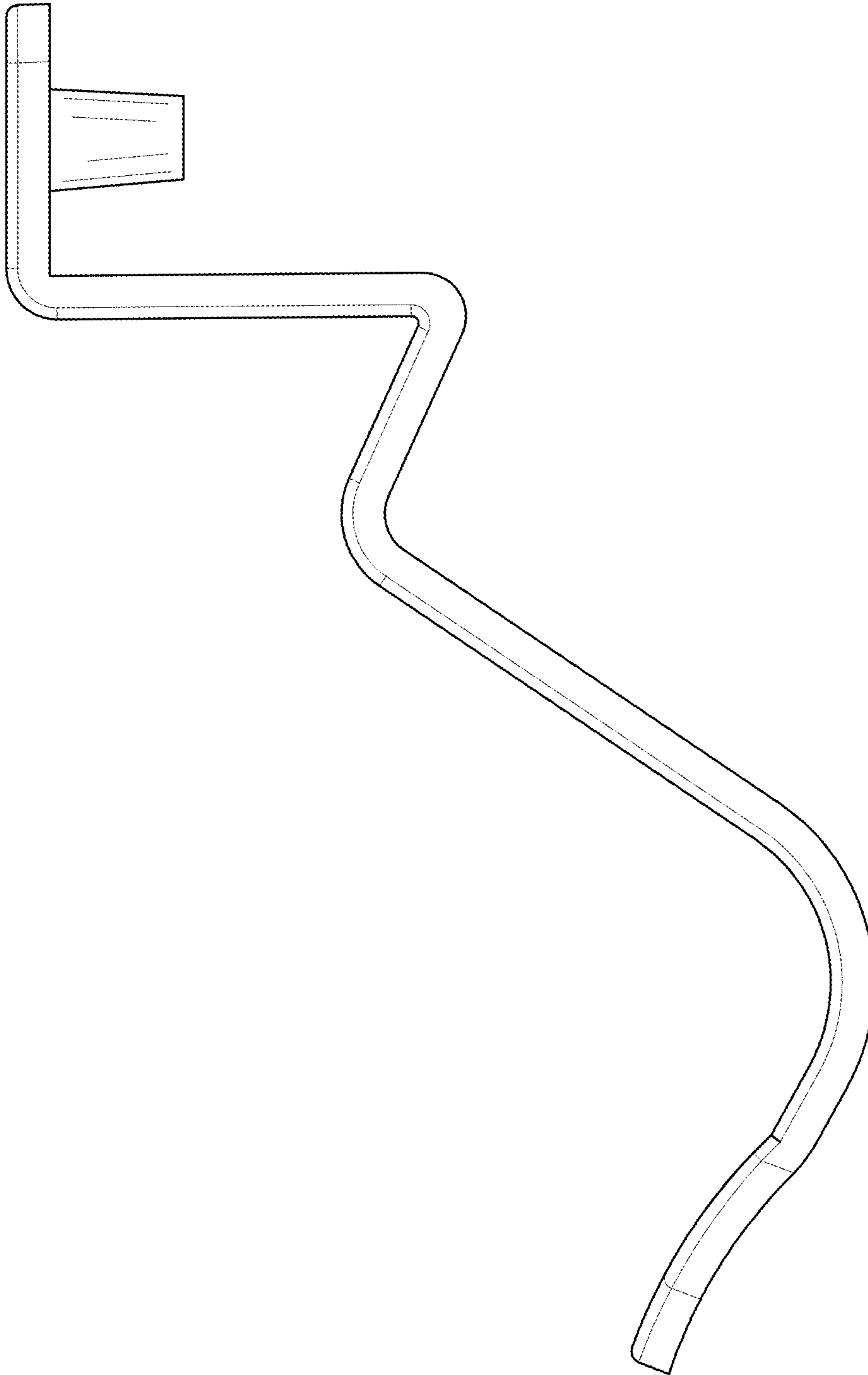


FIG.4

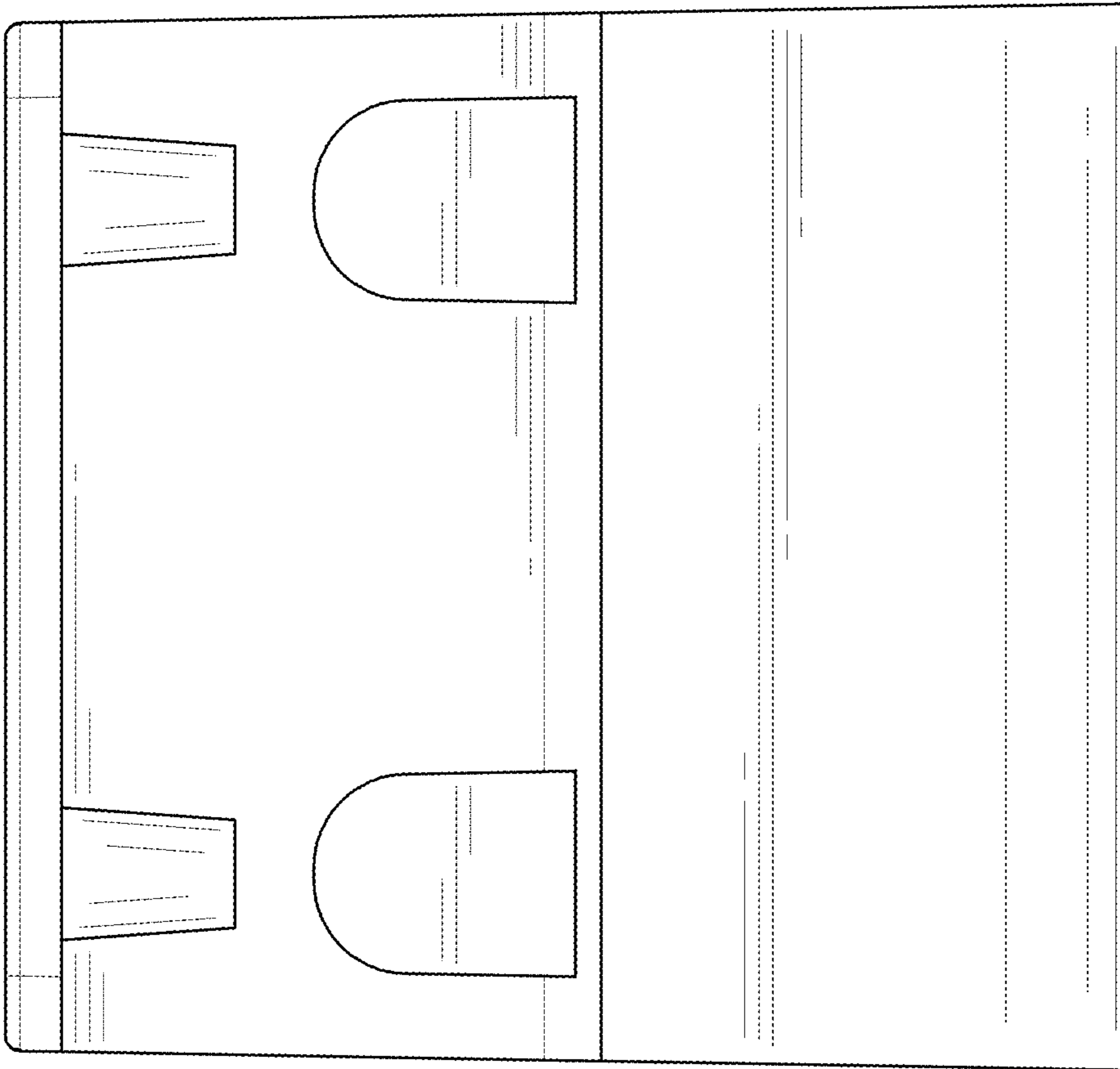


FIG.5

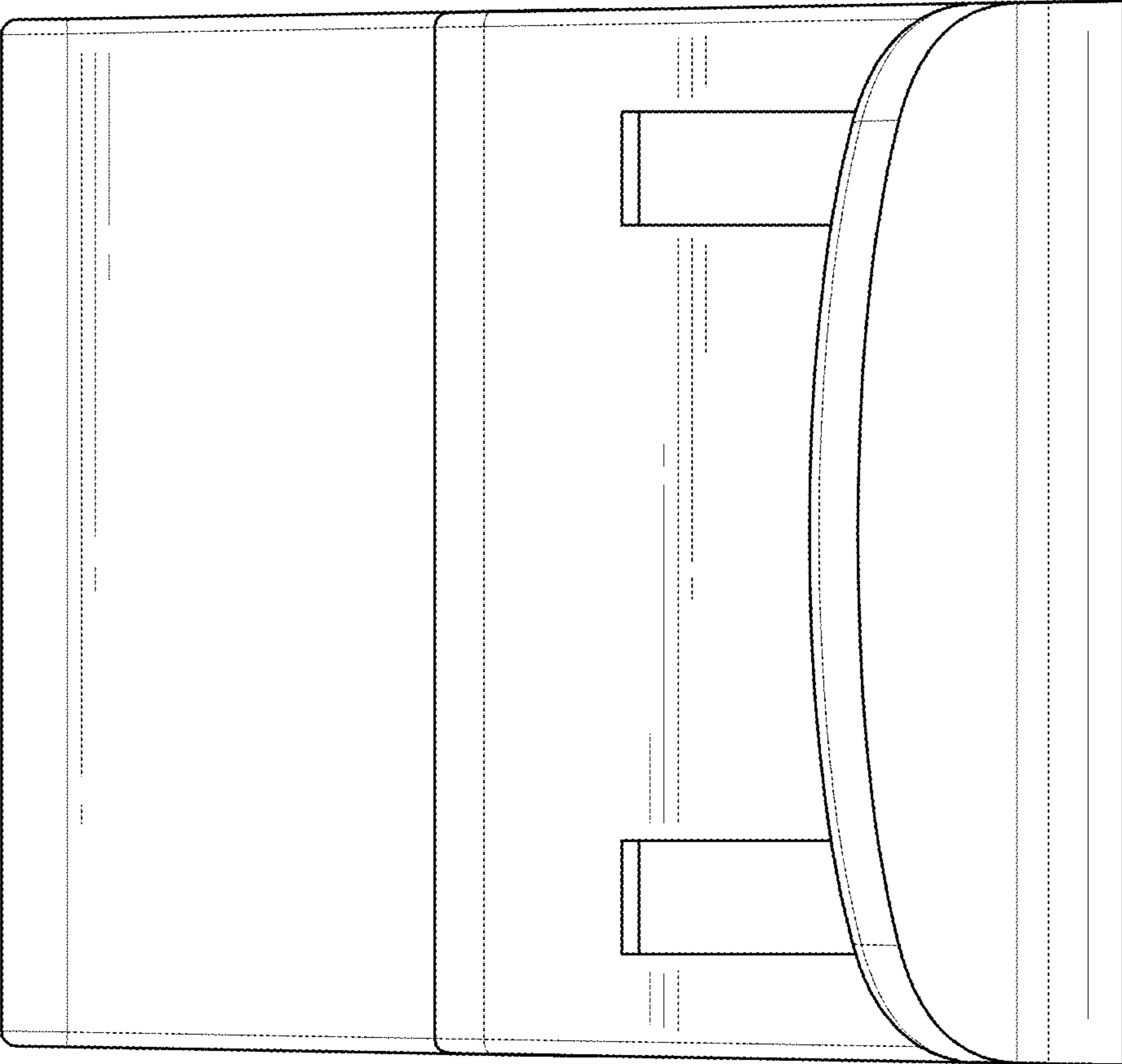


FIG.6

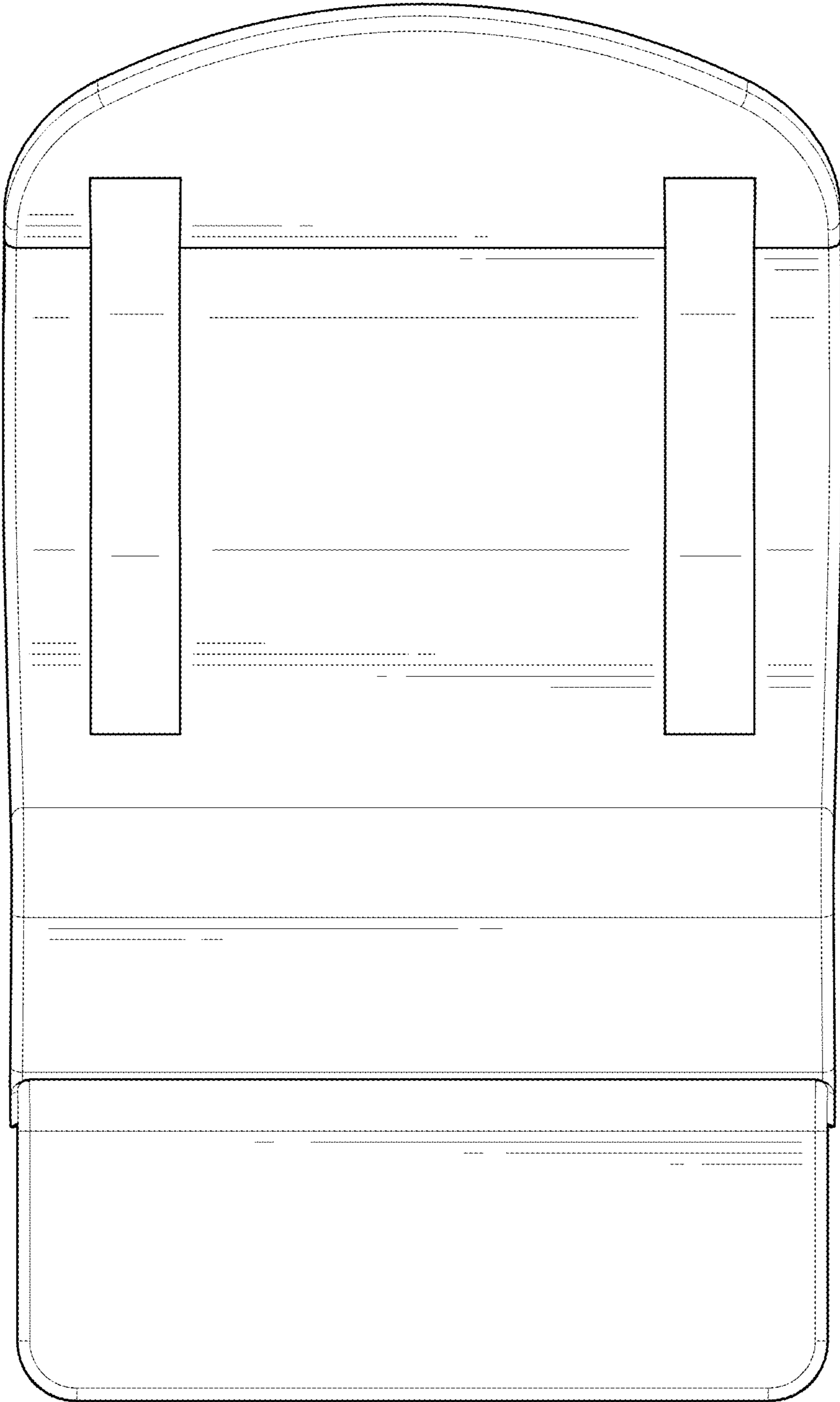


FIG.7

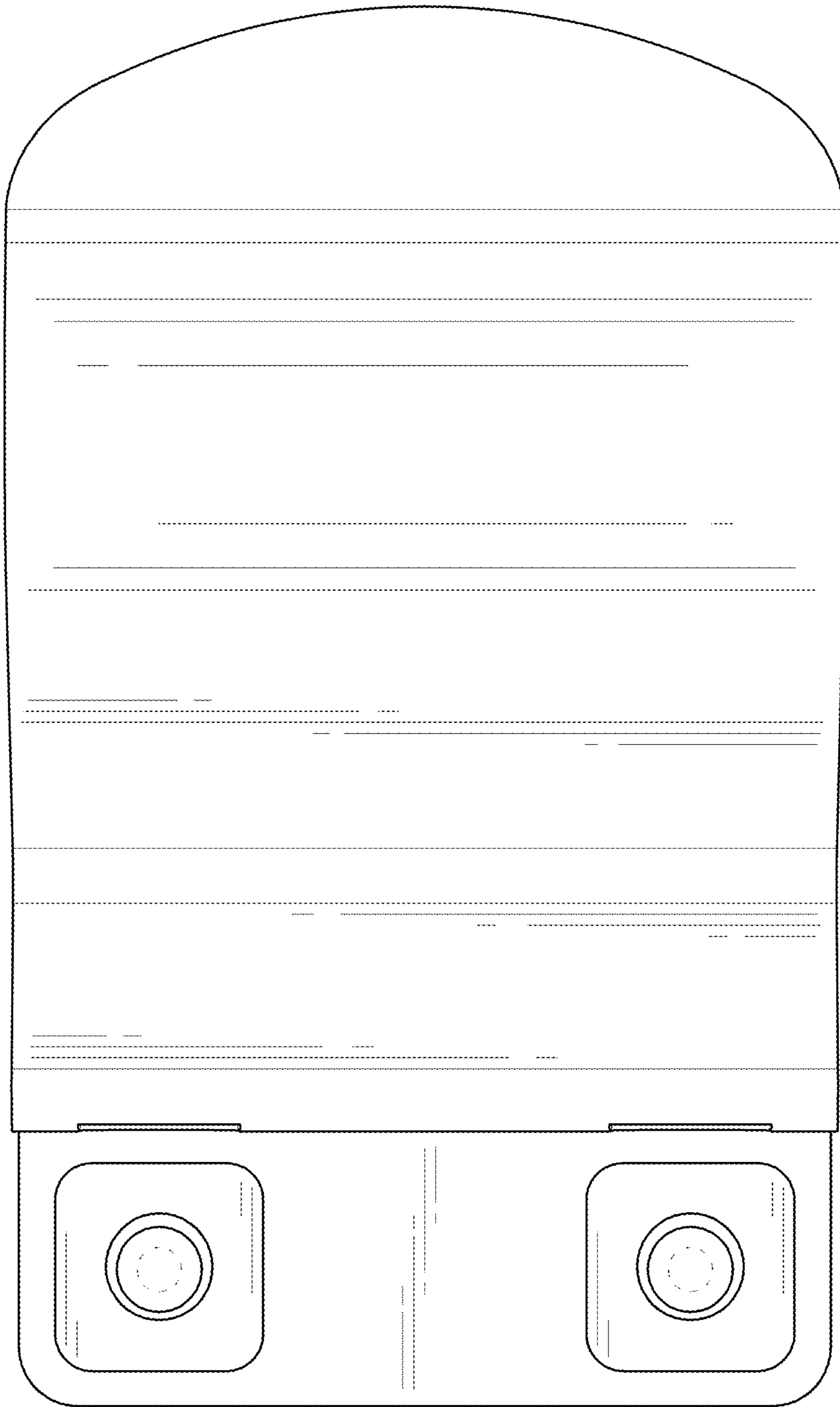


FIG.8