



US00D988401S

(12) **United States Design Patent** (10) **Patent No.:** **US D988,401 S**
Schultz (45) **Date of Patent:** **** Jun. 6, 2023**

(54) **MOBILE-PHONE AND BUSINESS-CARD HOLDER**

(71) Applicant: **Nathan Schultz**, Arlington, TX (US)

(72) Inventor: **Nathan Schultz**, Arlington, TX (US)

(**) Term: **15 Years**

(21) Appl. No.: **29/813,899**

(22) Filed: **Nov. 2, 2021**

(51) **LOC (14) Cl.** **19-02**

(52) **U.S. Cl.**
USPC **D19/92**

(58) **Field of Classification Search**
USPC D19/75, 77, 78, 79, 80, 81, 92; D4/341;
D3/230, 314; D28/73, 82; D6/706,
D6/683.1, 705.7, 675, 629, 674.1, 566;
D21/341; D24/230; D14/434, 253, 458
CPC G06Q 10/00; G06Q 10/1095; G09F 7/04;
G09F 1/10; A47B 57/58

See application file for complete search history.

(56) **References Cited**

U.S. PATENT DOCUMENTS

- 1,739,730 A * 12/1929 Orthwine A47F 5/0062
D19/75
- D139,831 S * 12/1944 Posnack D19/78
- D148,431 S * 1/1948 Lund 206/823
- D171,865 S * 3/1954 Roth D19/78
- 3,089,583 A * 5/1963 White A47G 19/04
D34/1
- D270,256 S * 8/1983 Sankey D19/78
- D288,039 S * 2/1987 LeBlanc D6/675.3
- D295,796 S * 5/1988 Wadsworth D28/73
- D305,246 S * 12/1989 Kirchhoff D19/78
- D342,760 S * 12/1993 Kirchhoff D19/86
- D357,373 S * 4/1995 Wolff D6/675.3
- D381,362 S * 7/1997 Meyer D19/86
- D381,691 S * 7/1997 Miyake D19/75
- D387,384 S * 12/1997 Meyer D19/86

- D390,268 S * 2/1998 Stravitz D19/86
- D401,015 S * 11/1998 Sussman D19/75
- D403,121 S * 12/1998 Sussman D19/75
- D504,701 S * 5/2005 Chen D19/75
- D590,021 S * 4/2009 Hughes D19/76

OTHER PUBLICATIONS

Leather Business Card Phone Stand ColonelLittleton.com, date reviewed Oct. 11, 2021, date retrieved Jan. 23, 2023—U.S. Appl. No. 29/813,899—<https://www.colonellittleton.com/shop/business-card-phone-stand/> (Year: 2021).*
Kingfom Desk Organizer, Amazon.com, date published May 9, 2019, date retrieved Jan. 23, 2023—U.S. Appl. No. 29/813,899—<https://amzn.to/3XWjC9y> (Year: 2019).*

* cited by examiner

Primary Examiner — Nicole C Shiflet
Assistant Examiner — Danielle Nichole Bowly
(74) *Attorney, Agent, or Firm* — Bradley Arant Boul
Cummings LLP

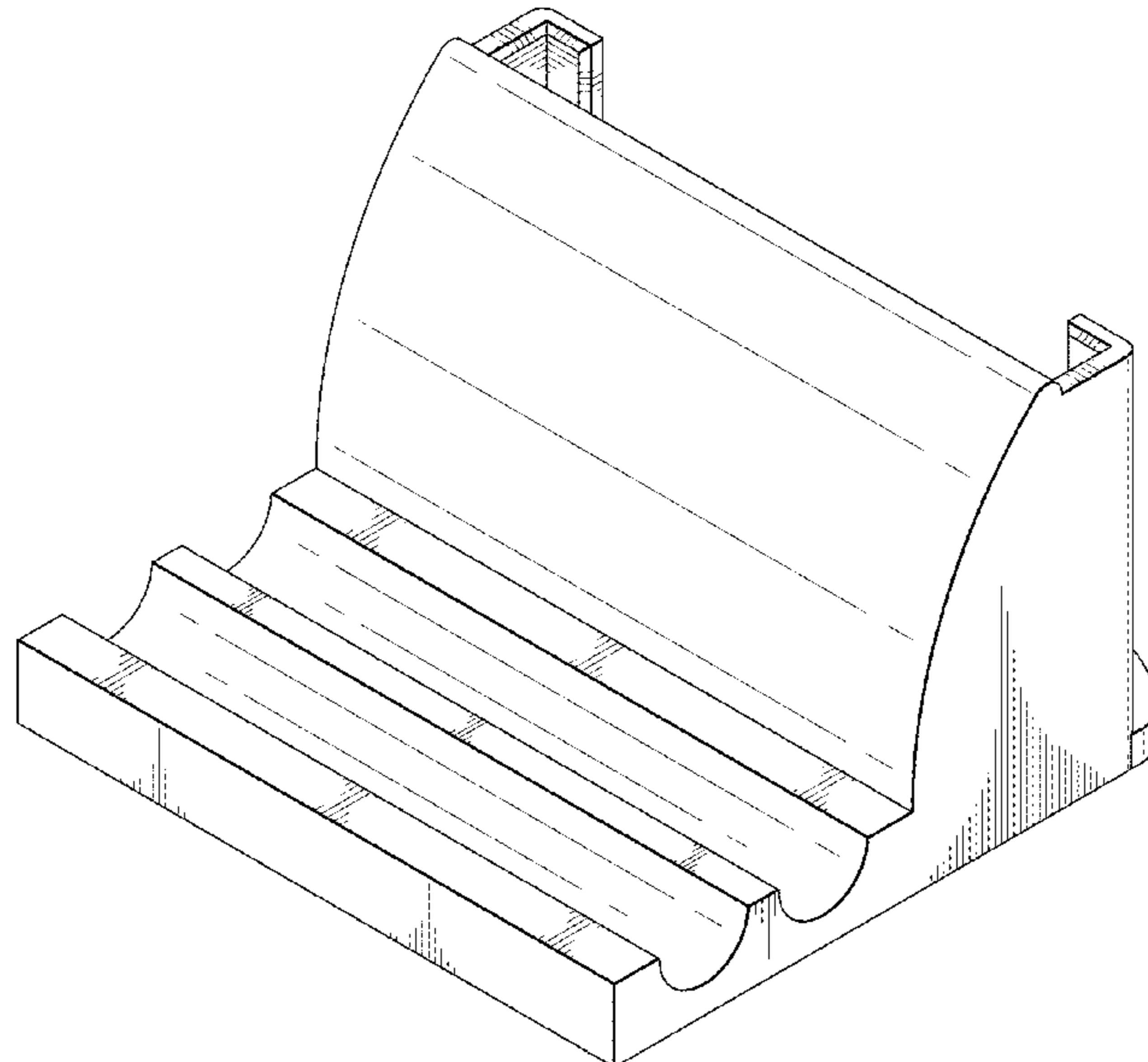
(57) **CLAIM**

The ornamental design for a mobile-phone and business-card holder, as shown and described.

DESCRIPTION

FIG. 1 is a front perspective view of a mobile-phone and business-card holder in accordance with the design;
FIG. 2 is a front view thereof;
FIG. 3 is a back view thereof;
FIG. 4 is a right side view thereof;
FIG. 5 is a left side view thereof;
FIG. 6 is a top view thereof;
FIG. 7 is a bottom view thereof; and,
FIG. 8 is a rear perspective view thereof.

1 Claim, 8 Drawing Sheets



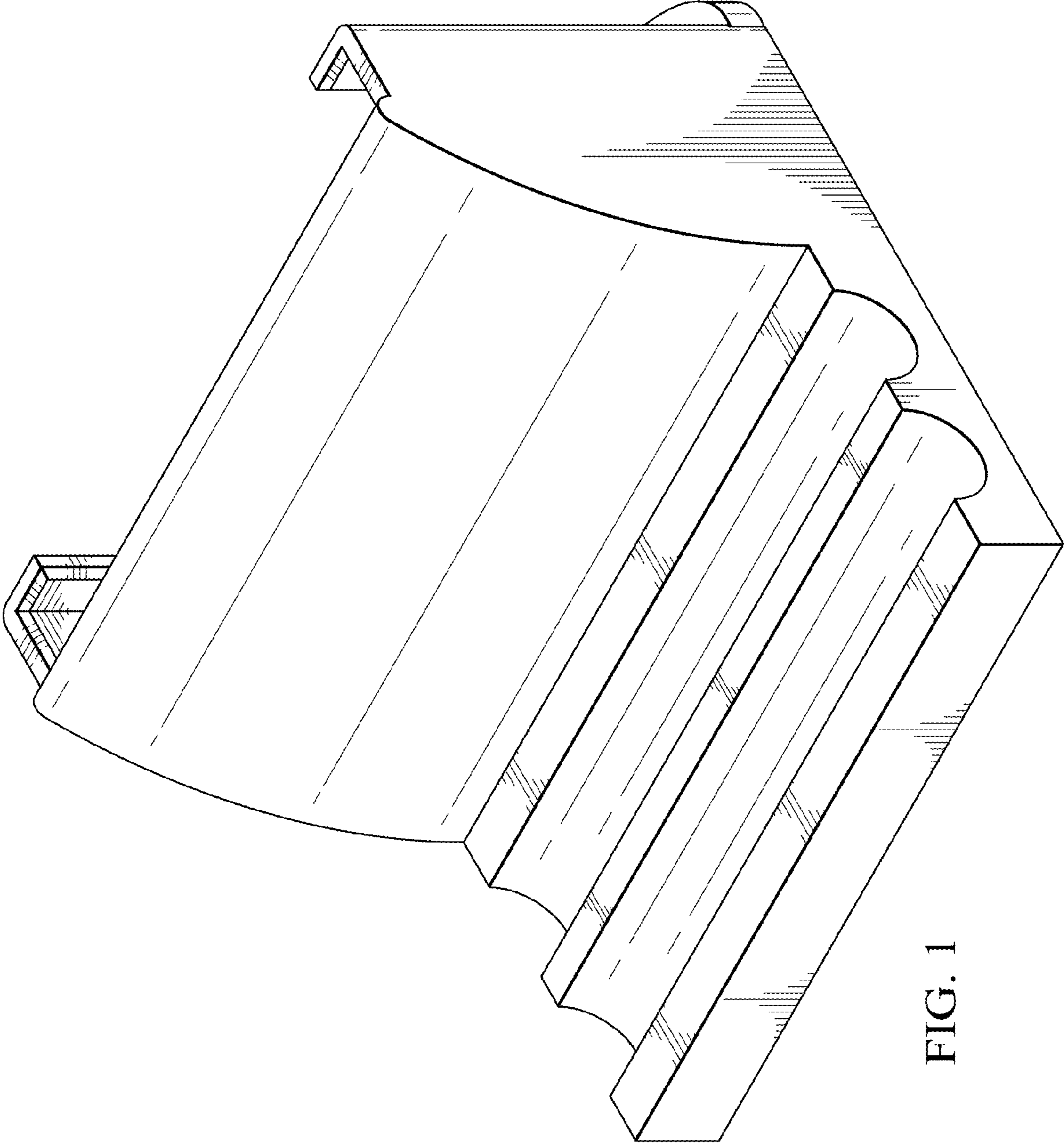


FIG. 1

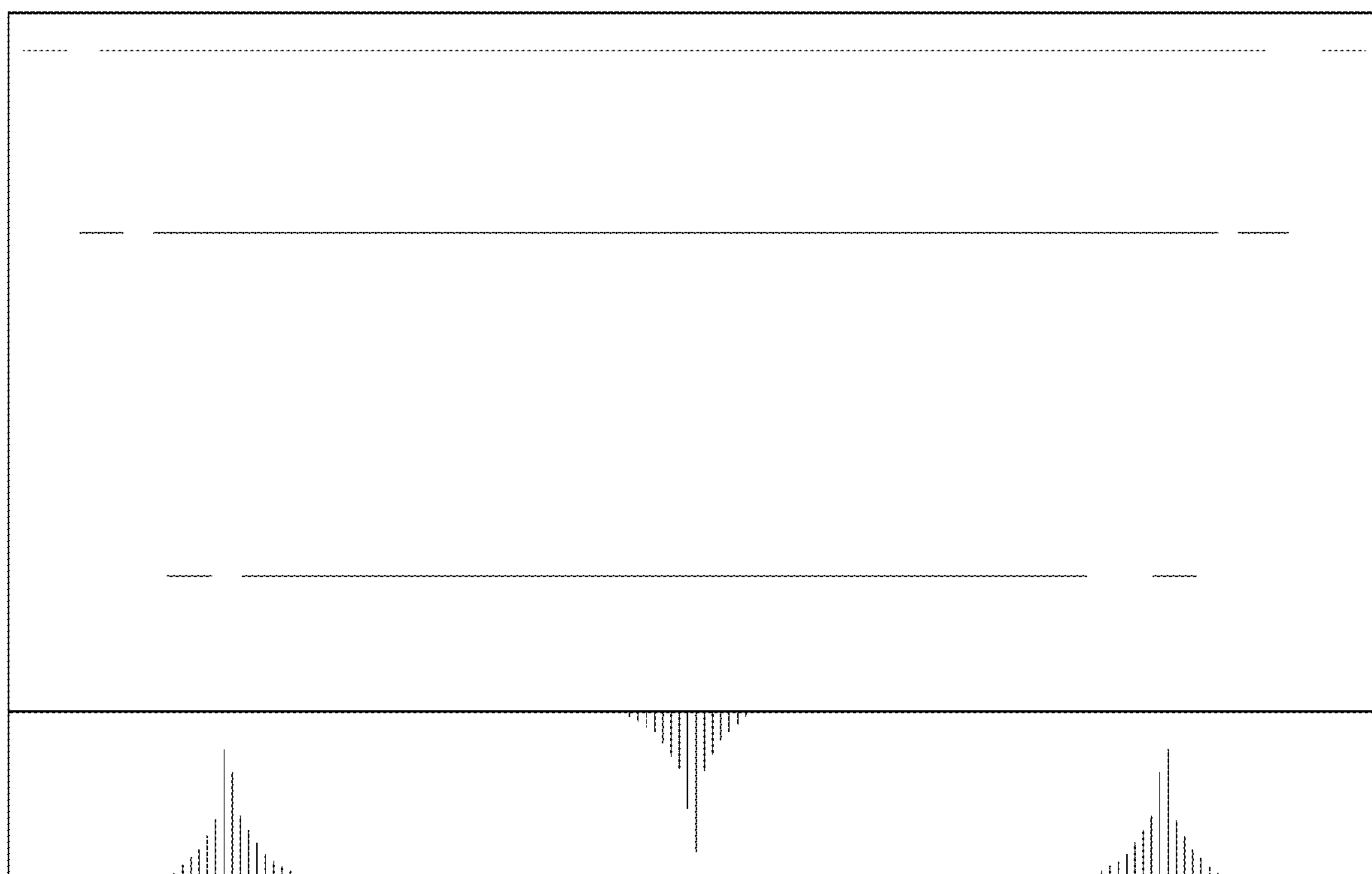


FIG. 2

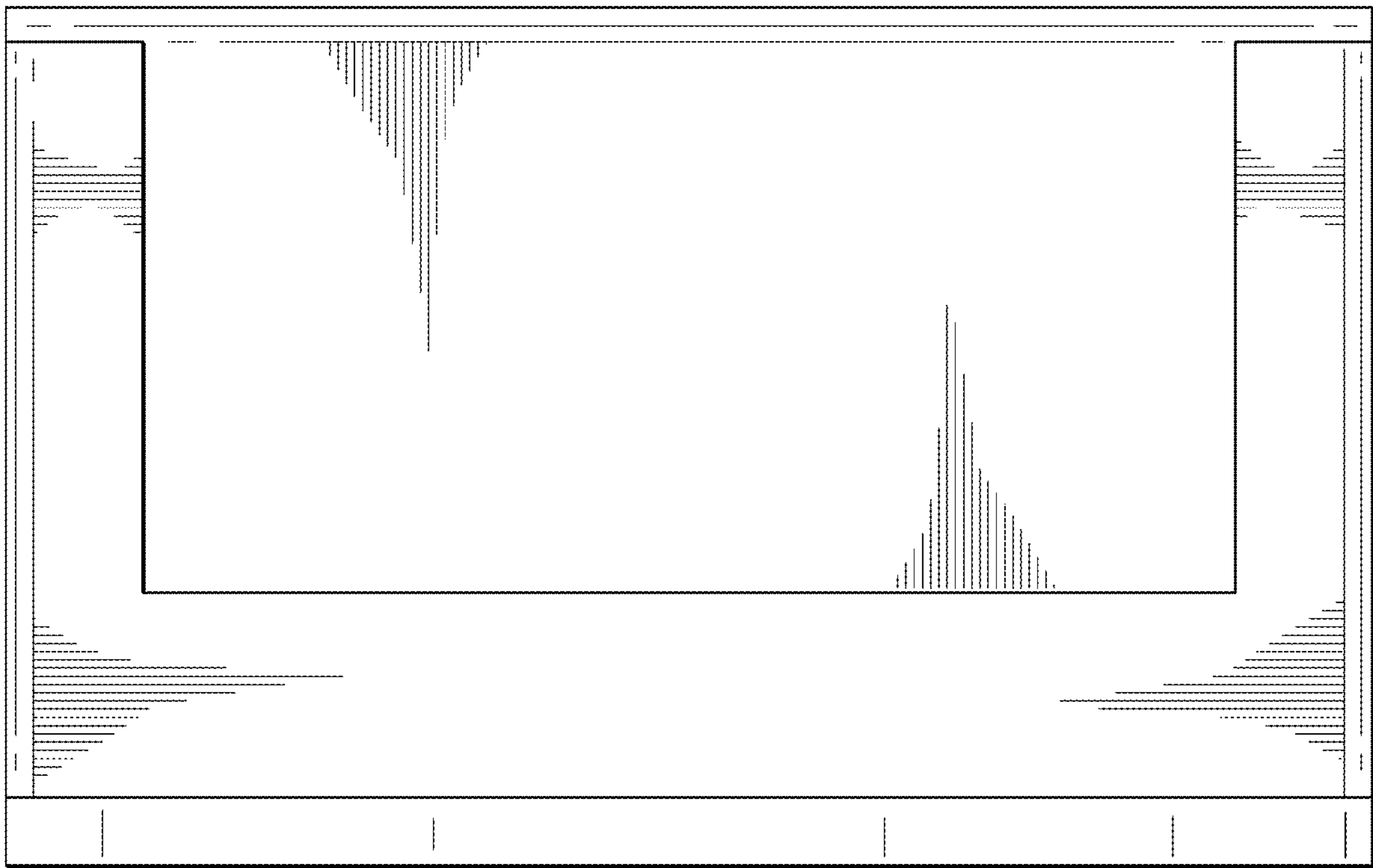


FIG. 3

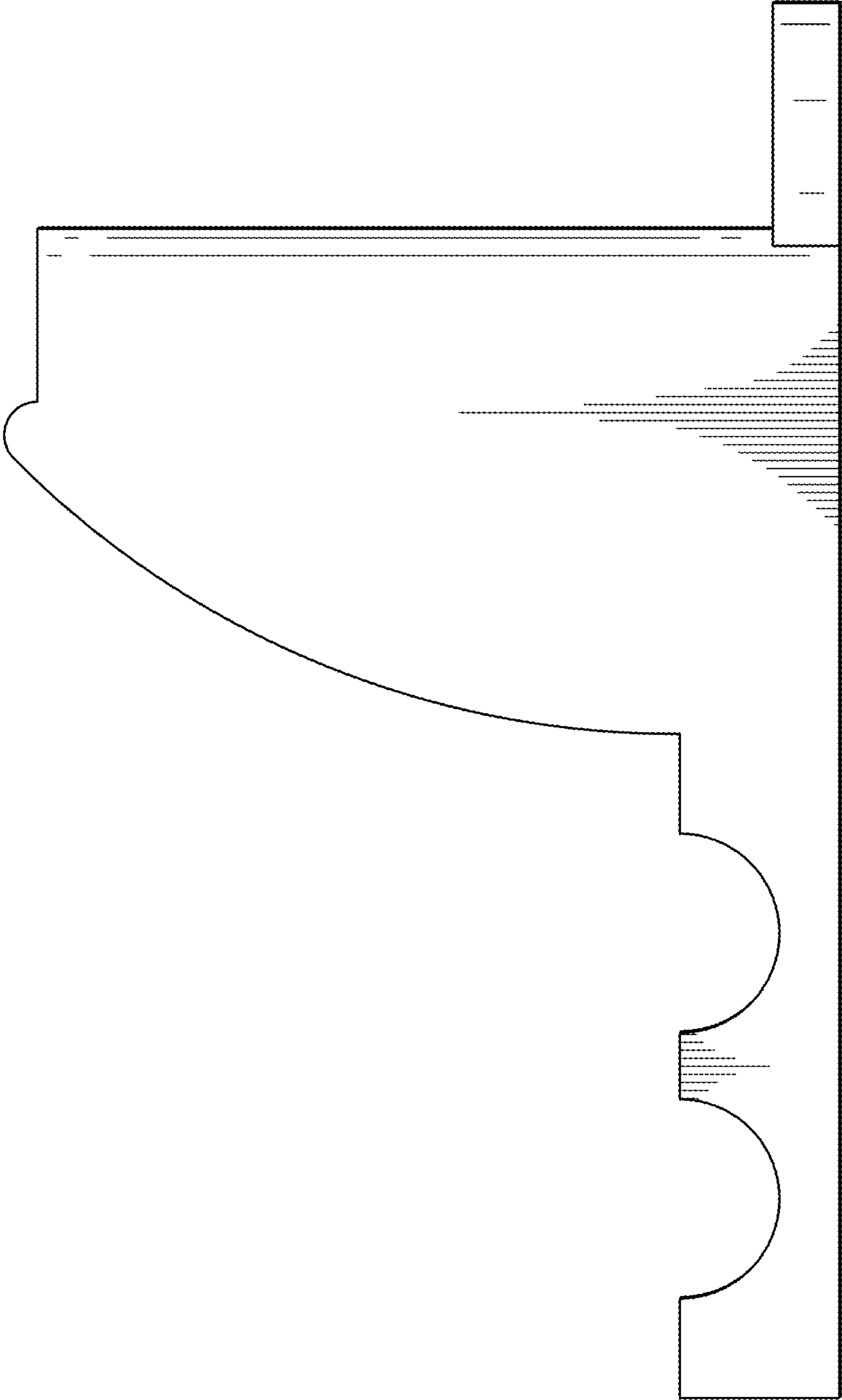


FIG. 4

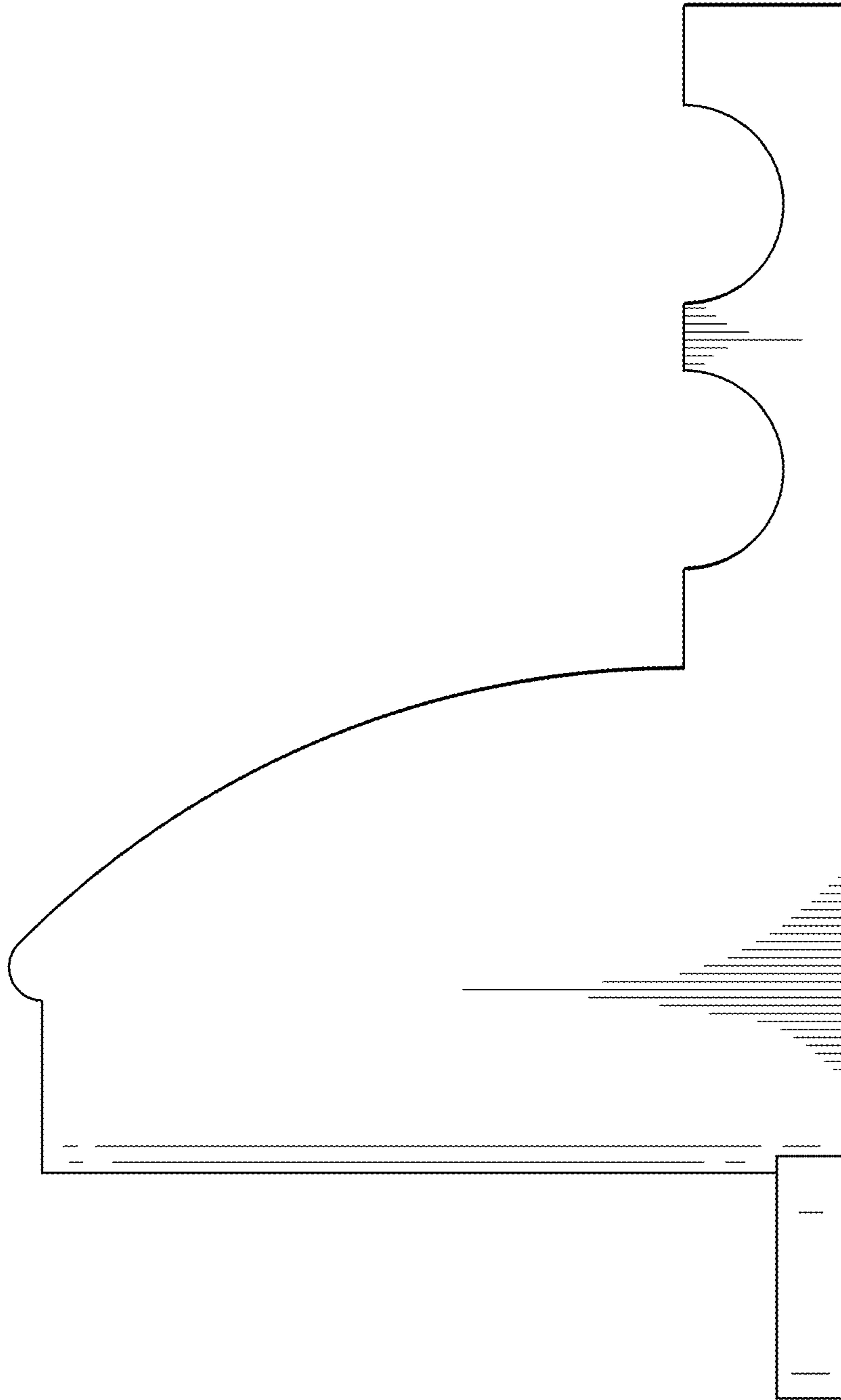


FIG. 5

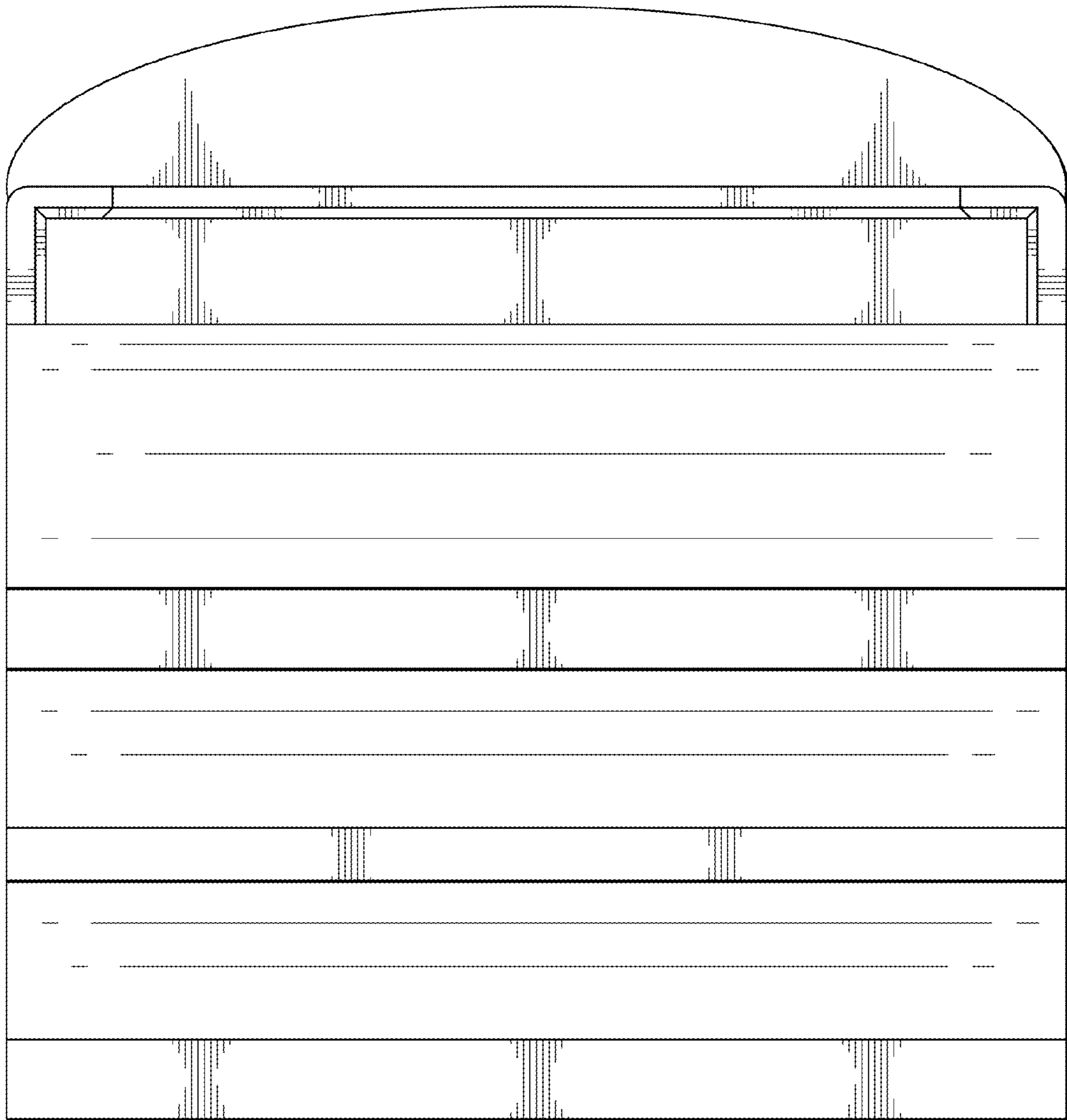


FIG. 6

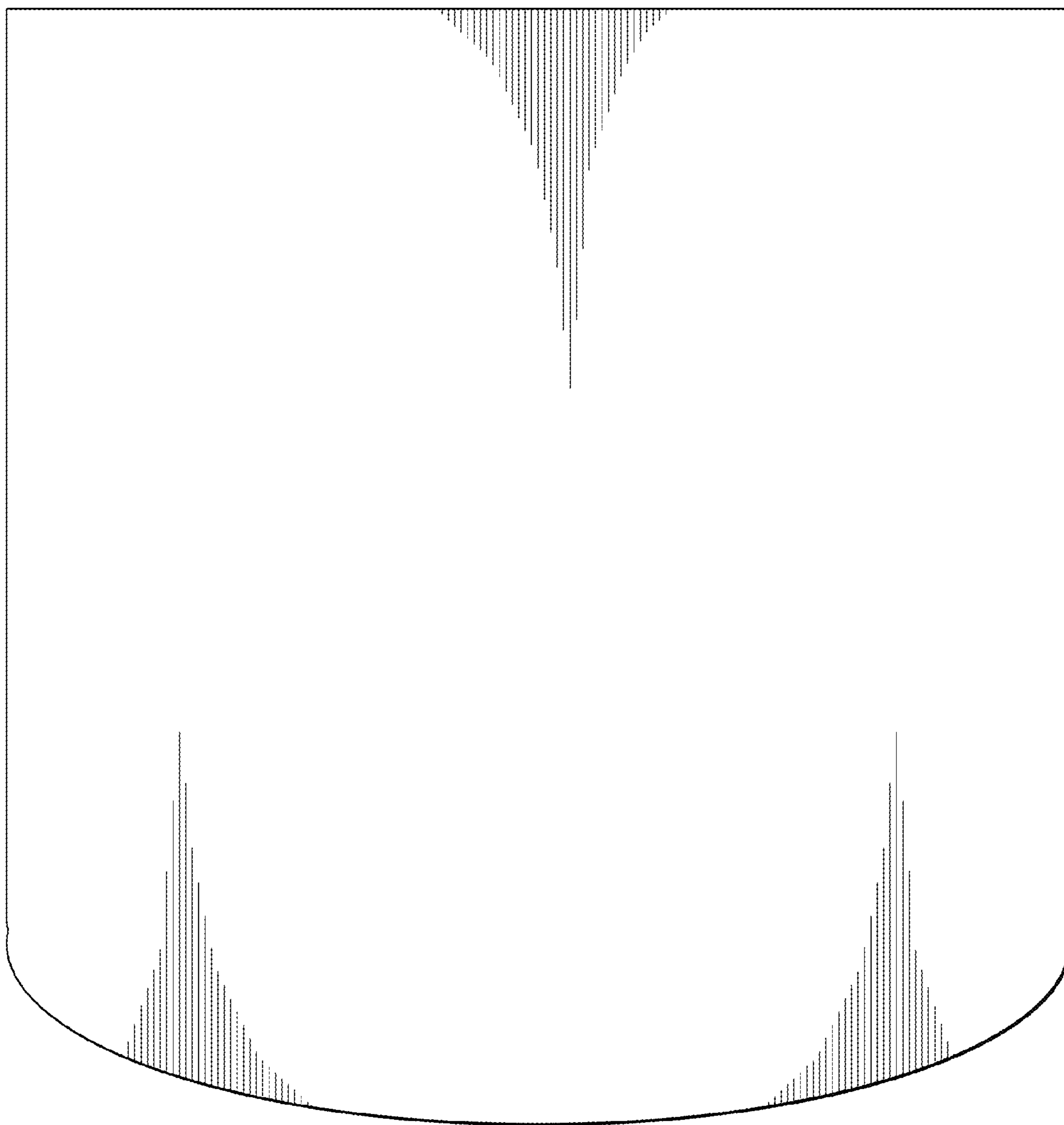


FIG. 7

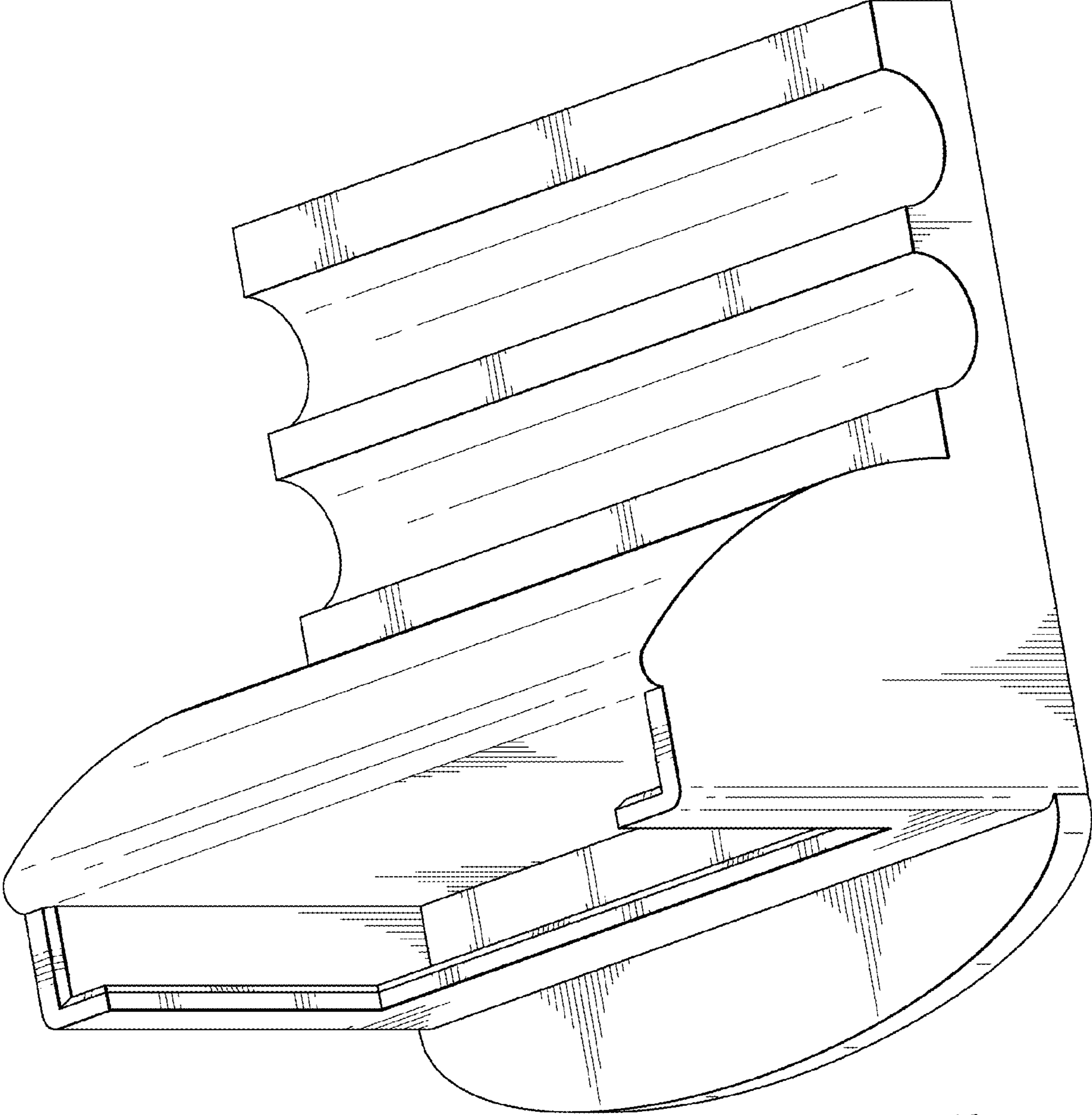


FIG. 8