



US00D988397S

(12) **United States Design Patent**
Shirato et al.

(10) **Patent No.:** **US D988,397 S**
(45) **Date of Patent:** **** Jun. 6, 2023**

(54) **ELECTRONIC MUSICAL INSTRUMENT**

(71) Applicant: **Roland Corporation**, Shizuoka (JP)

(72) Inventors: **Takeo Shirato**, Shizuoka (JP); **Akihito Kimura**, Shizuoka (JP); **Toshiaki Inoue**, Shizuoka (JP); **Takayuki Hirabayashi**, Nagano (JP); **Peter Brown**, Los Angeles, CA (US)

(73) Assignee: **Roland Corporation**, Shizuoka (JP)

(**) Term: **15 Years**

(21) Appl. No.: **29/779,511**

(22) Filed: **Apr. 20, 2021**

(51) **LOC (14) Cl.** **17-99**

(52) **U.S. Cl.**
USPC **D17/99**

(58) **Field of Classification Search**

USPC D17/99; D21/405; D14/168, 203, 222,
D14/188, 388

CPC . H04R 23/006; H01J 2893/0063; G10H 1/00;
G10H 1/02

See application file for complete search history.

(56) **References Cited**

U.S. PATENT DOCUMENTS

D429,233 S *	8/2000	Komiyama	D14/500
D486,148 S *	2/2004	Chan	D14/341
D512,409 S *	12/2005	Ishizaki	D14/168
D544,853 S *	6/2007	Harris	D14/500
D583,798 S *	12/2008	Iijima	D14/496
D616,410 S *	5/2010	Sonoda	D14/168
D706,230 S *	6/2014	McMillen	D13/164
D823,377 S *	7/2018	Kitamura	D17/99
D870,077 S *	12/2019	Kobayashi	D14/217
D881,268 S *	4/2020	Kuramoto	D17/99
D931,280 S *	9/2021	Kangasmaa	D14/388
D964,456 S *	9/2022	Chen	D17/1
D969,904 S *	11/2022	Kurio	D17/99

OTHER PUBLICATIONS

Amazon.com. https://www.amazon.com/Samson-SACONSPIR-Conspiracy-Control-Surface/dp/B00TQVZSYM/ref=sr_1_211?crd=5GD8OIZUTGAM&keywords=electronic+music+instrument+

controller&qid=1678315473&sprefix=%2Caps%2C70&sr=8-211. "Samson Saconspir Conspiracy MIDI Control Surface". Feb. 2015 (Year: 2015).*

Amazon.com. https://www.amazon.com/Monoprice-625894-Midi-Controller/dp/B08TQ7VMQK/ref=sr_1_193?crd=5GD8OIZUTGAM&keywords=electronic+music+instrument+controller&qid=1678315473&sprefix=%2Caps%2C70&sr=8-193. "Monoprice Midi Controller". Jan. 2021 (Year: 2021).*

Amazon.com. https://www.amazon.com/PreSonus-ATOM-Production-Performance-Controller/dp/B07H6BVHSV/ref=sr_1_30?crd=5GD8OIZUTGAM&keywords=electronic+music+instrument+controller&qid=1678315205&sprefix=%2Caps%2C70&sr=8-30. "PreSonus Atom Production & Performance Midi Pad Controller". Sep. 2018 (Year: 2018).*

"Office Action of Japan Counterpart Application", dated Sep. 14, 2021, with English translation thereof, p. 1-p. 4.

Roland Corporation, "Roland Commercial Audio/Video Equipment Catalog vol. 20," Jan. 27, 2006, pp. 1-2.

* cited by examiner

Primary Examiner — R. Johnson

(74) Attorney, Agent, or Firm — JCIPRNET

(57) **CLAIM**

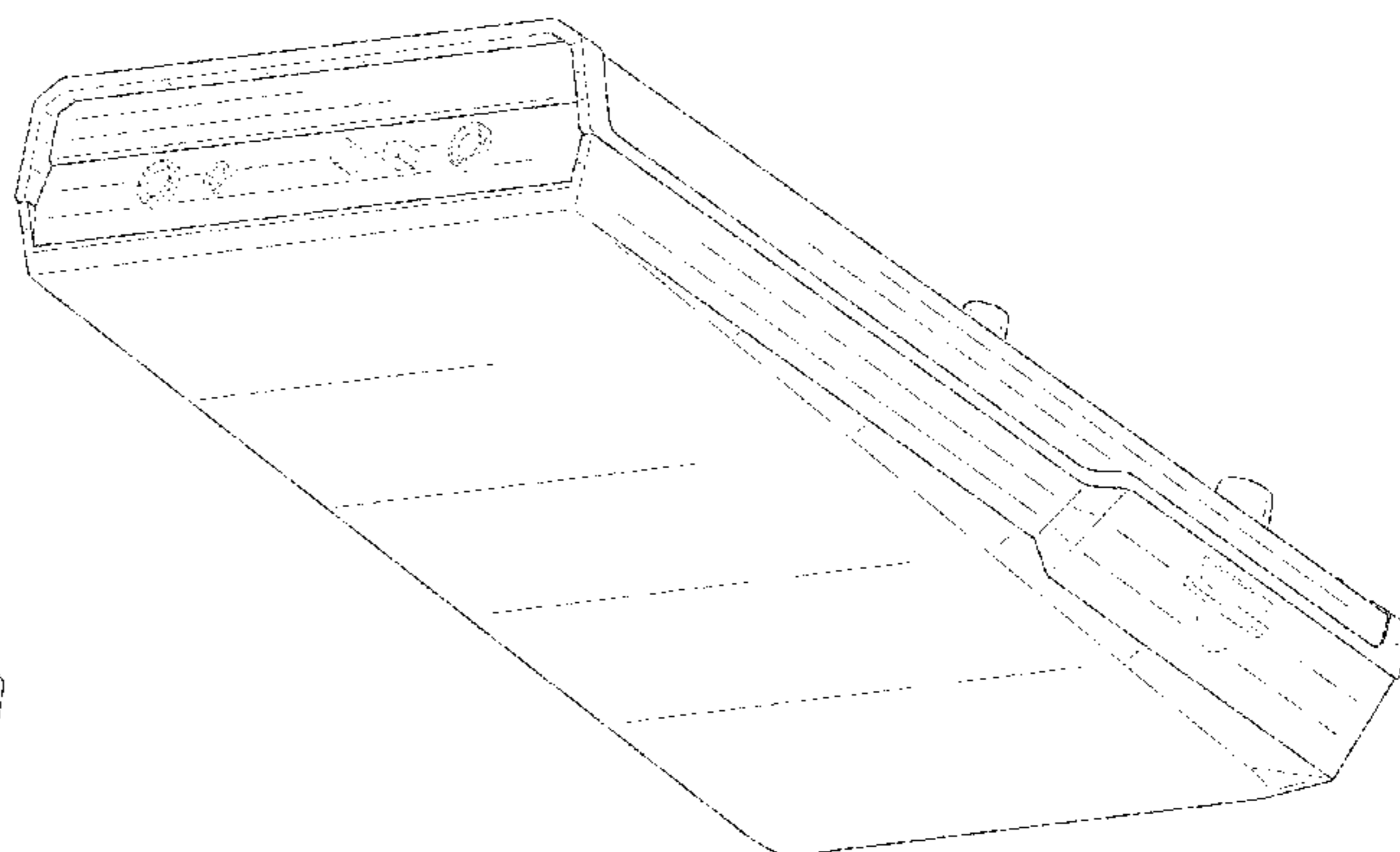
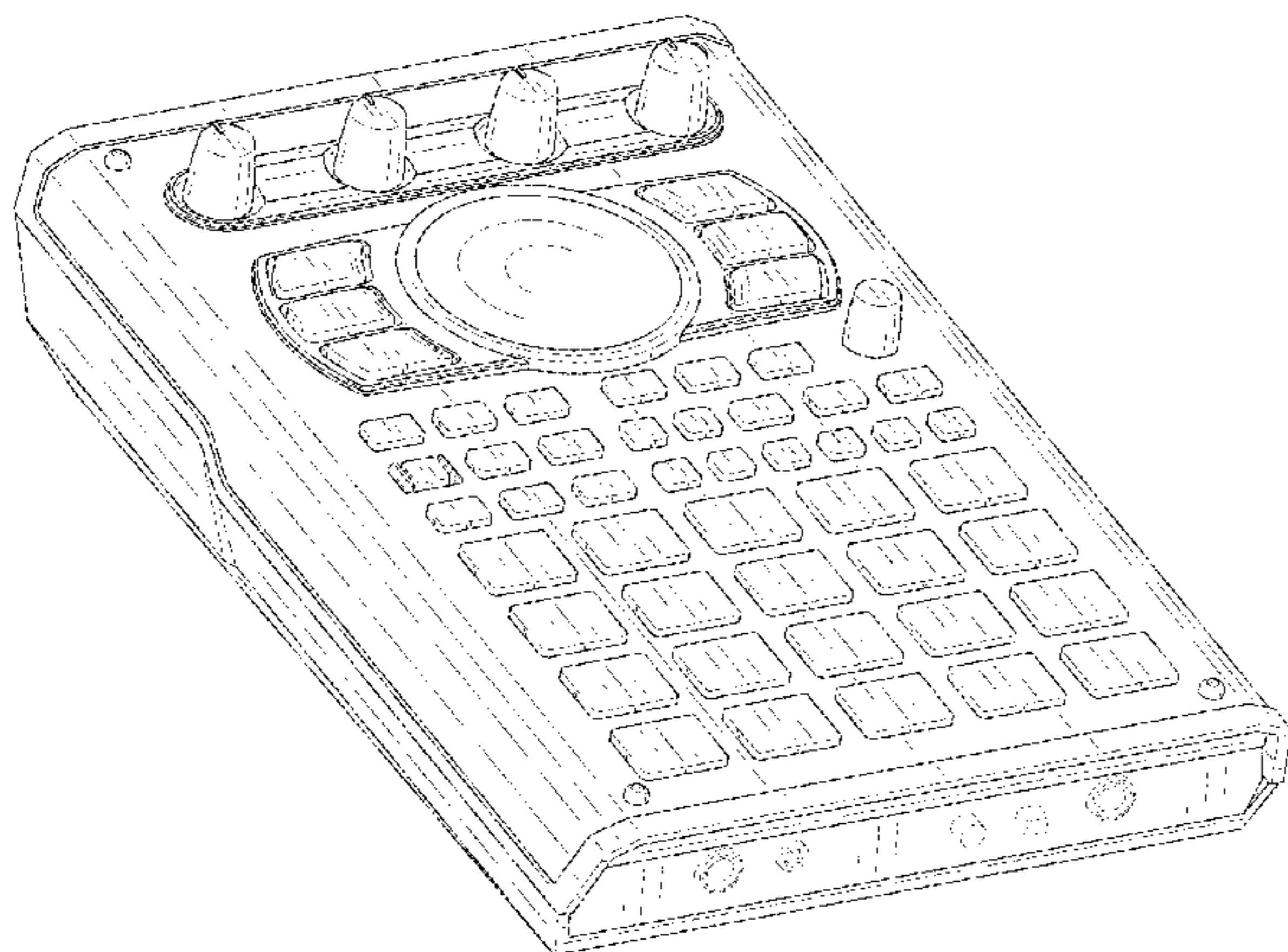
The ornamental design for an electronic musical instrument, as shown and described.

DESCRIPTION

FIG. 1 is a bottom, front, left perspective view of an electronic musical instrument showing our new design; FIG. 2 is a bottom, rear, right perspective view thereof; FIG. 3 is a top, rear, left perspective view thereof; FIG. 4 is a front view thereof; FIG. 5 is a rear view thereof; FIG. 6 is a left side view thereof; FIG. 7 is a right side view thereof; FIG. 8 is a top view thereof; and, FIG. 9 is a bottom view thereof.

The broken line portions of the electronic musical instrument in FIGS. 1-3 and 5-9 represent unclaimed portions of the claimed design and form no part thereof.

1 Claim, 7 Drawing Sheets



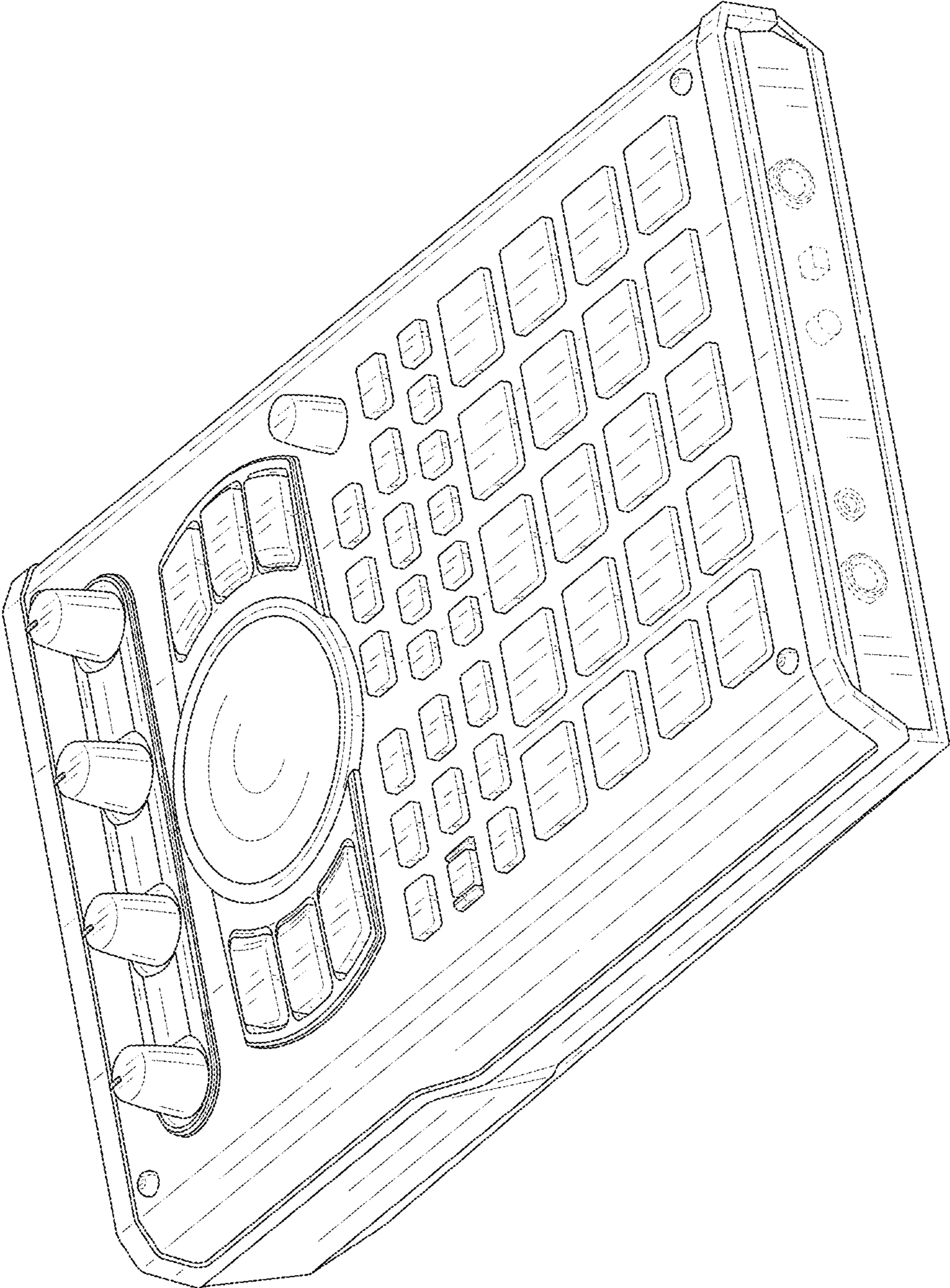


FIG. 1

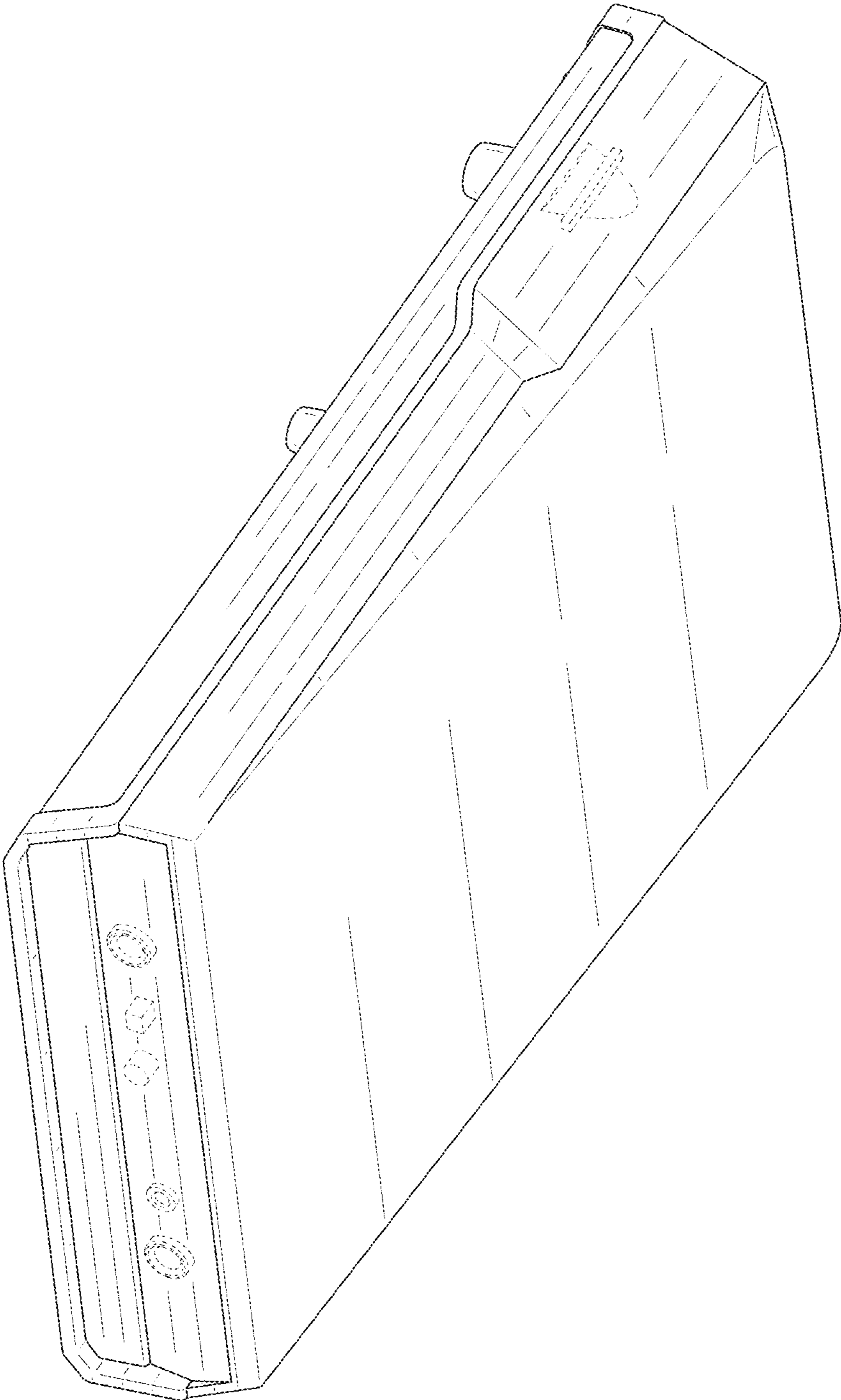


FIG. 2

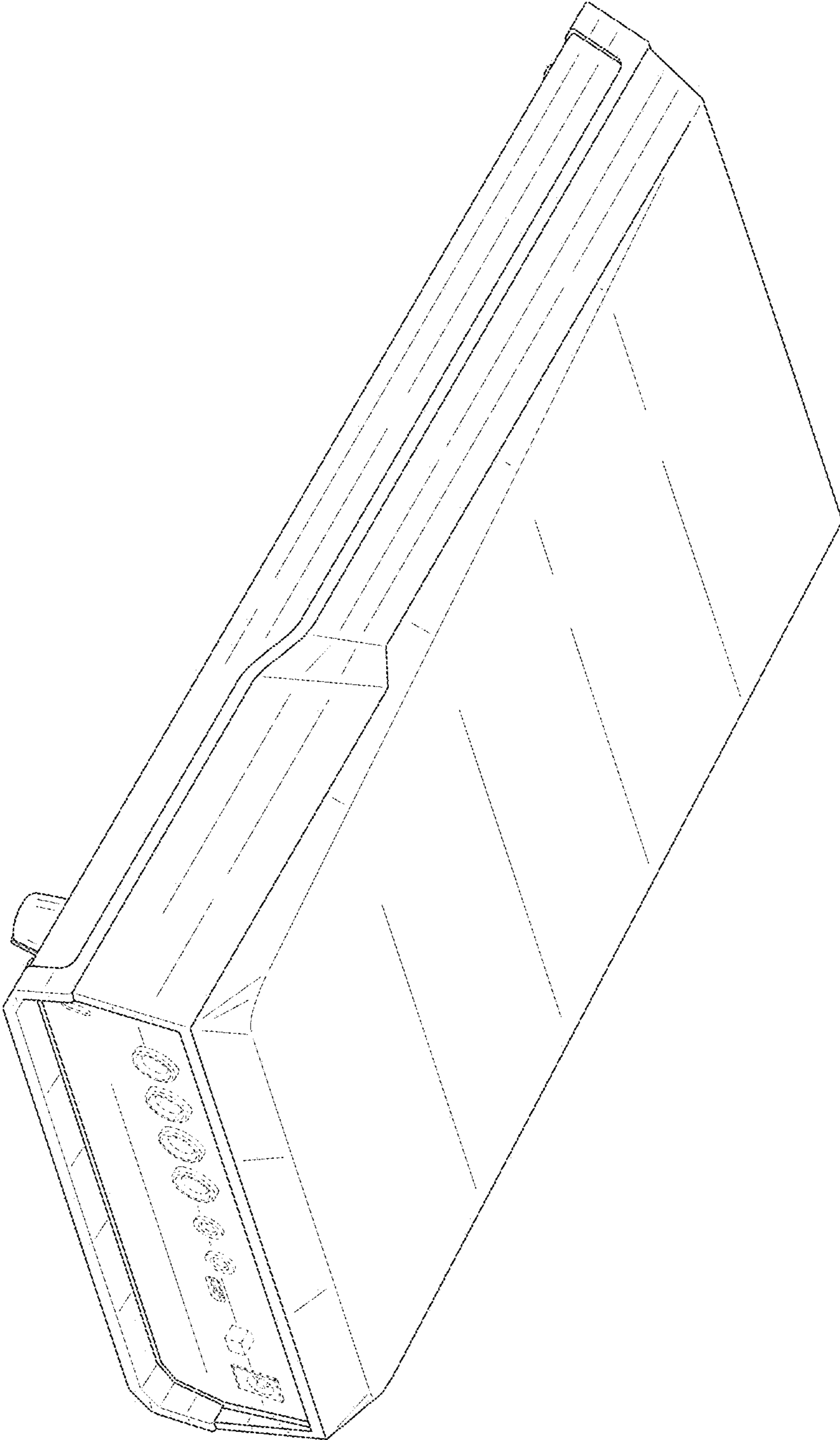


FIG. 3

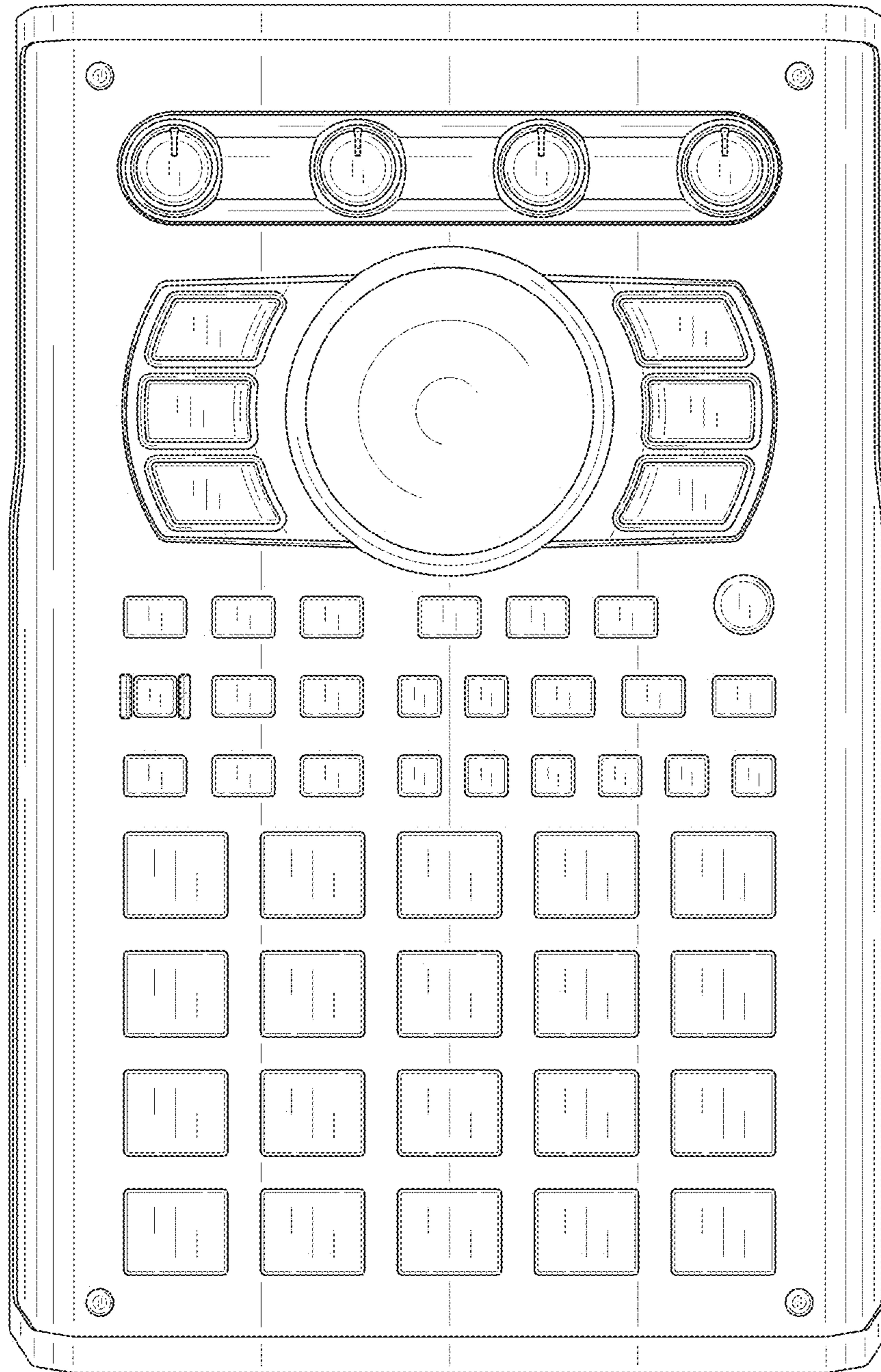


FIG. 4

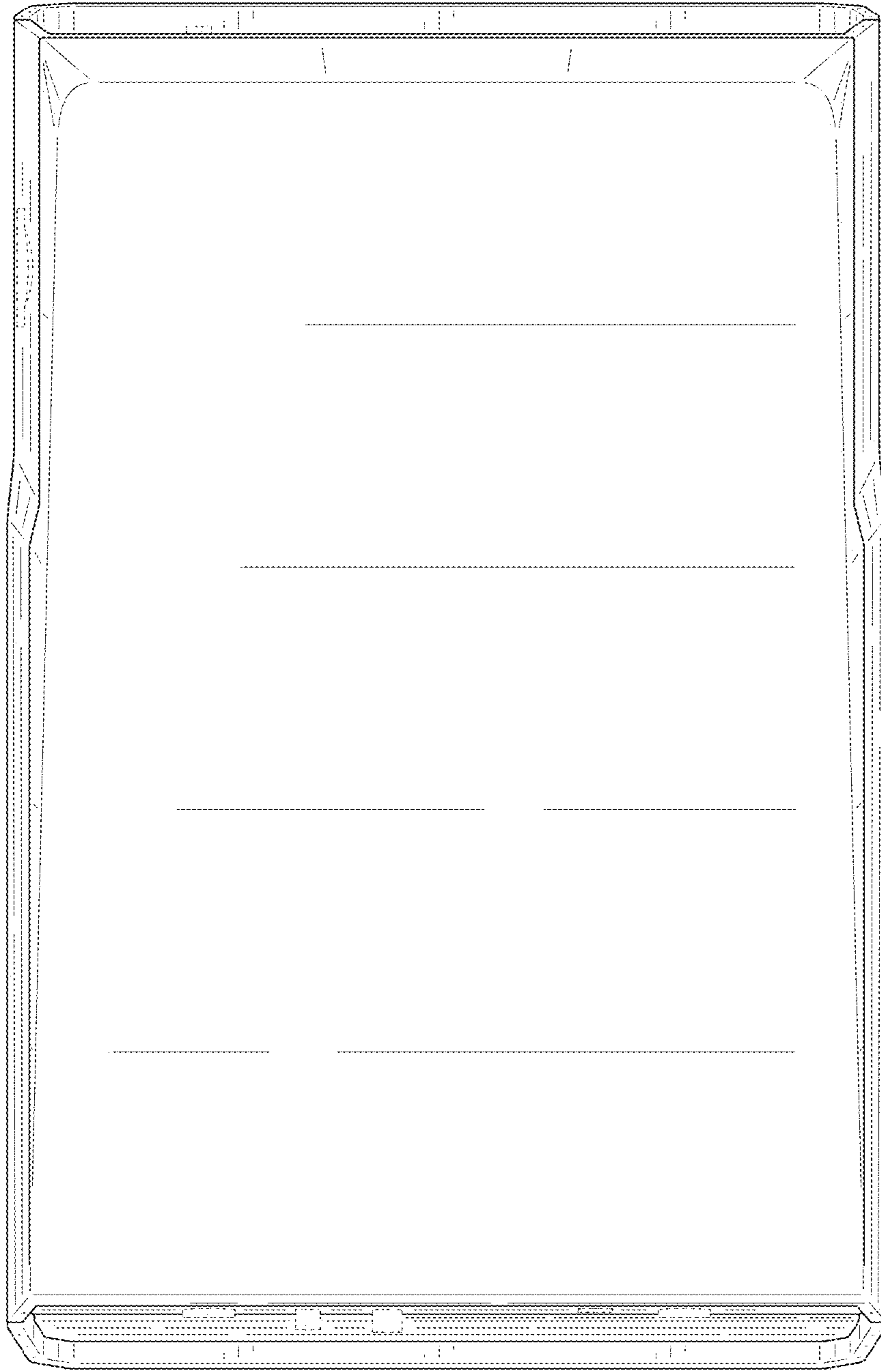


FIG. 5

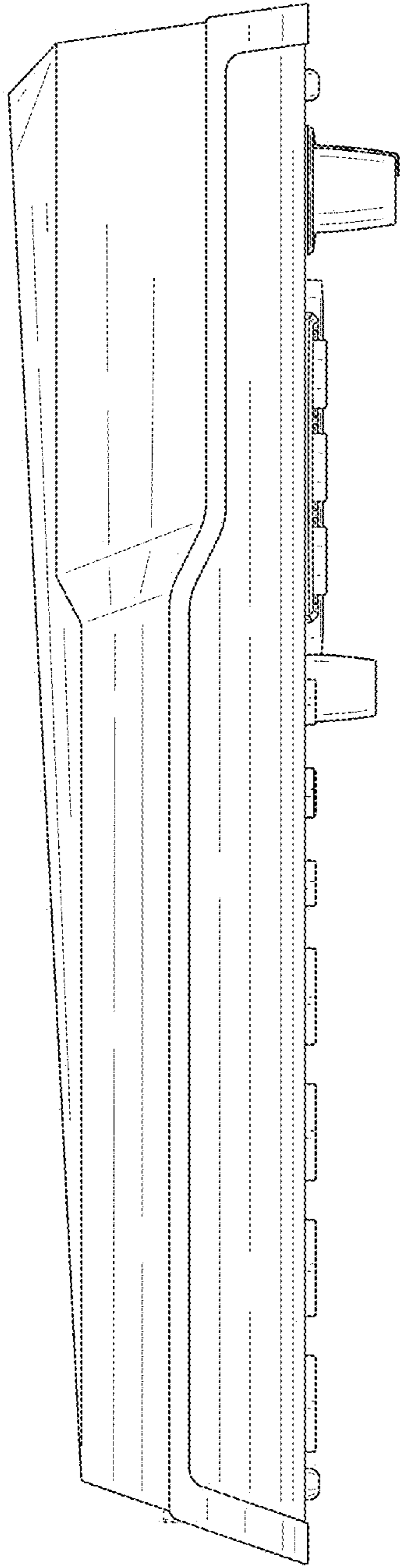


FIG. 6

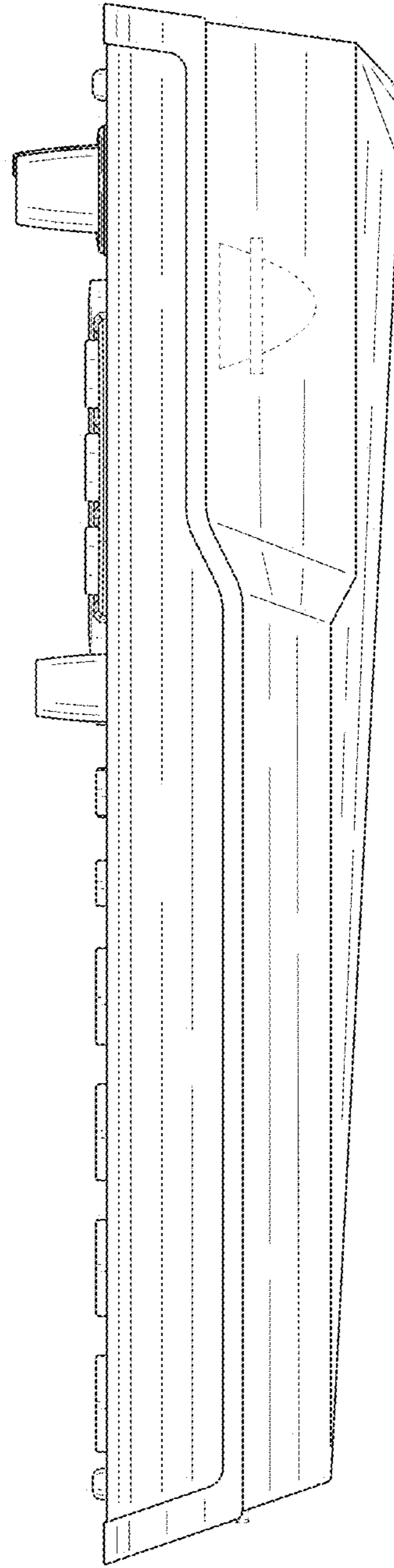


FIG. 7

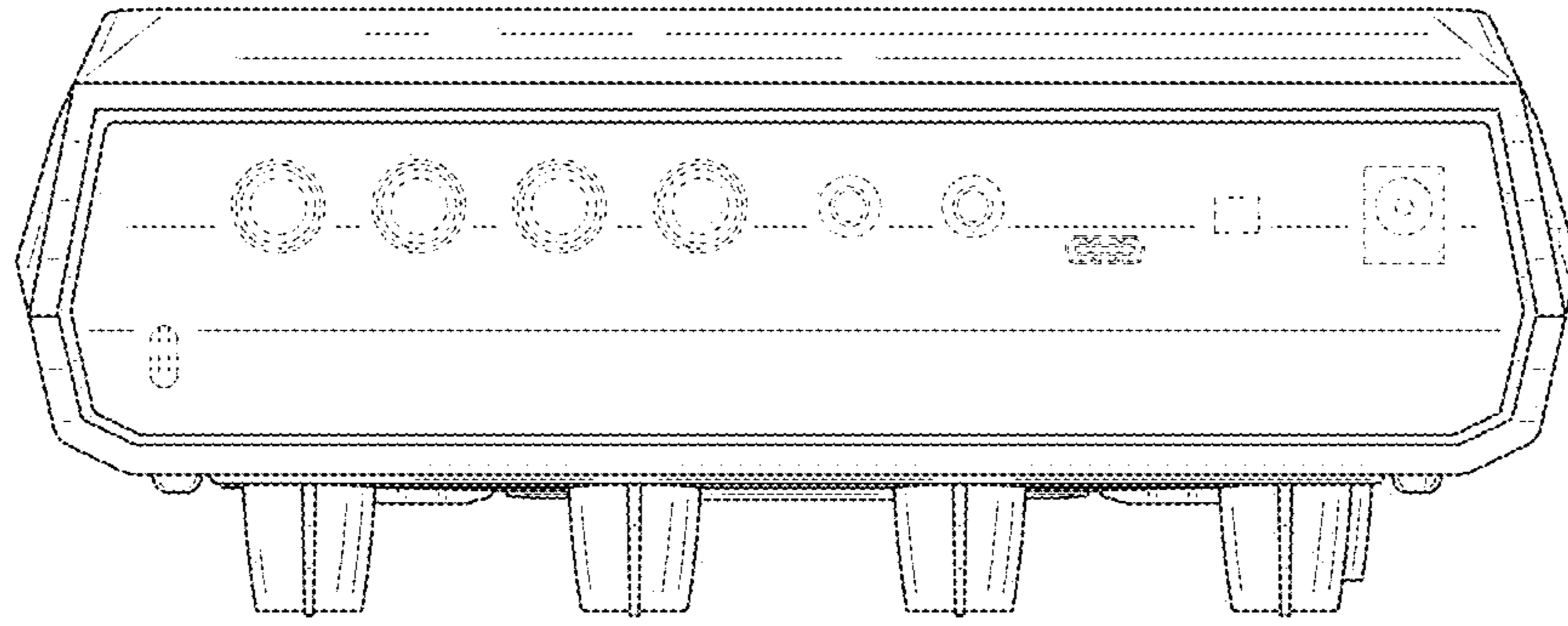


FIG. 8

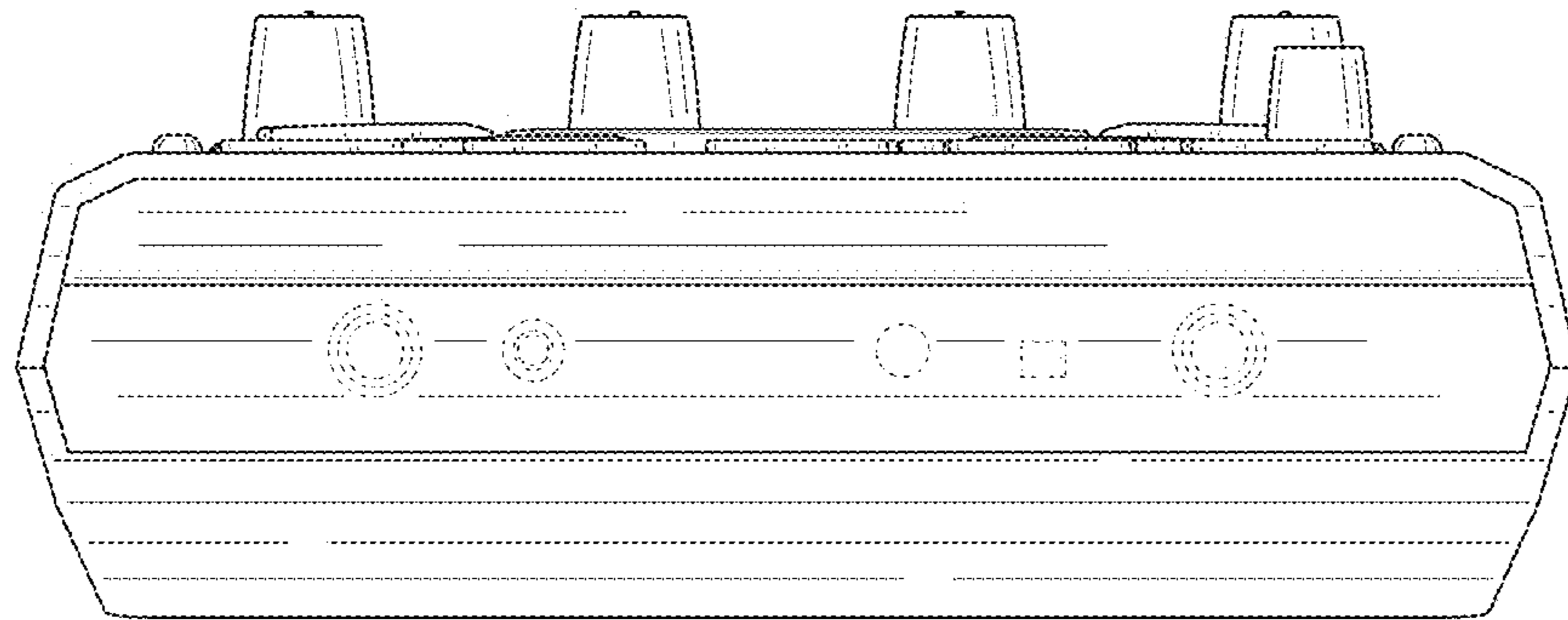


FIG. 9