



US00D988394S

(12) **United States Design Patent**  
**Burns et al.**

(10) **Patent No.:** **US D988,394 S**  
(45) **Date of Patent:** **\*\* Jun. 6, 2023**

(54) **CAMERA MOUNT**

(71) Applicant: **Amazon Technologies, Inc.**, Seattle, WA (US)

(72) Inventors: **Thomas Burns**, Boston, MA (US); **Emmanuel Laffon de Mazieres**, San Jose, CA (US); **Paul Douglas Grearson**, Andover, MA (US)

(73) Assignee: **Amazon Technologies, Inc.**, Seattle, WA (US)

(\*\*) Term: **15 Years**

(21) Appl. No.: **29/756,608**

(22) Filed: **Oct. 29, 2020**

**Related U.S. Application Data**

(62) Division of application No. 29/683,882, filed on Mar. 15, 2019, now Pat. No. Des. 902,289.

(51) **LOC (14) Cl.** ..... **16-05**

(52) **U.S. Cl.**  
USPC ..... **D16/242**

(58) **Field of Classification Search**  
USPC ..... D16/237-250

(Continued)

(56) **References Cited**

**U.S. PATENT DOCUMENTS**

D344,970 S \* 3/1994 Hanke ..... D16/245  
D387,791 S \* 12/1997 Wen ..... D16/242

(Continued)

**OTHER PUBLICATIONS**

Amazon, Blink XT2 Camera Mounts—Black—3-Pack: Amazon Devices, retrieved on Apr. 8, 2020 at <<<https://www.amazon.com/Blink-XT2-Camera-Mounts-3-Pack/product-reviews/B07PTMRBWH/>

ref=cm\_getr\_d\_paging\_btm\_next\_14?ie=UTF8&reviewerType=all\_reviews&pageNumber=14&sortBy=recent>>, 5 pgs.

(Continued)

*Primary Examiner* — Richard Kearney

*Assistant Examiner* — Benjamin M Weeks

(74) *Attorney, Agent, or Firm* — Lee & Hayes, P.C.

(57) **CLAIM**

The ornamental design for a camera mount, as shown and described.

**DESCRIPTION**

FIG. 1 is a front, left-side, top perspective view of a first embodiment of a camera mount according to the present design;

FIG. 2 is a front, right-side, bottom perspective view thereof;

FIG. 3 is a back, right-side, top perspective view thereof;

FIG. 4 is a back, left-side, bottom perspective view thereof;

FIG. 5 is a right-side elevation view thereof;

FIG. 6 is a left-side elevation view thereof;

FIG. 7 is a top plan view thereof;

FIG. 8 is a bottom plan view thereof;

FIG. 9 is a front elevation view thereof;

FIG. 10 is a back elevation view thereof;

FIG. 11 is a front, left-side, top perspective view of a second embodiment of a camera mount according to the present design;

FIG. 12 is a front, right-side, bottom perspective view thereof;

FIG. 13 is a back, right-side, top perspective view thereof;

FIG. 14 is a back, left-side, bottom perspective view thereof;

FIG. 15 is a right-side elevation view thereof;

FIG. 16 is a left-side elevation view thereof;

FIG. 17 is a top plan view thereof;

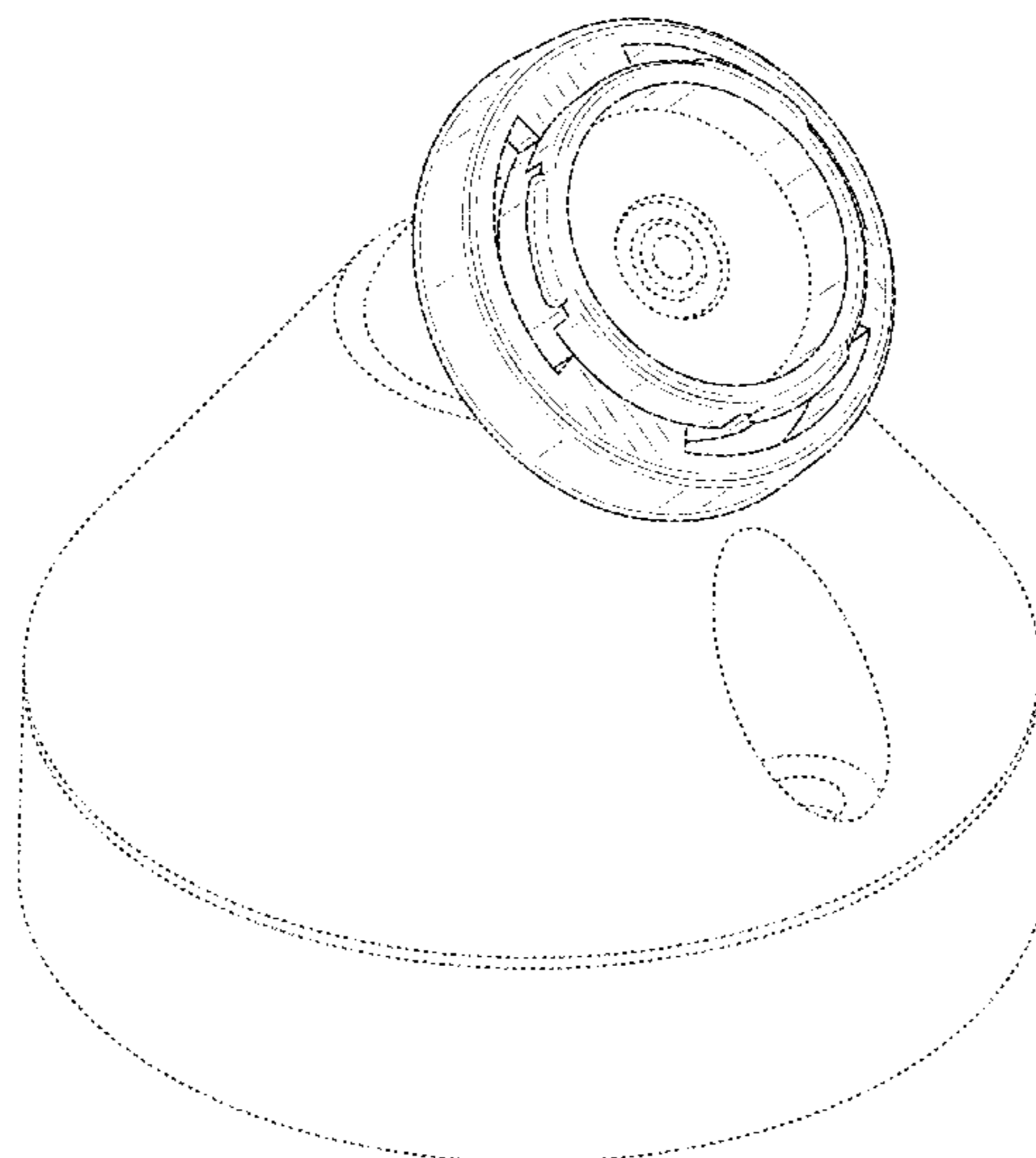
FIG. 18 is a bottom plan view thereof;

FIG. 19 is a front elevation view thereof; and,

FIG. 20 is a back elevation view thereof.

The dashed broken lines depict portions of the camera mount that form no part of the claimed design.

**1 Claim, 20 Drawing Sheets**



(58) **Field of Classification Search**

CPC ..... A45F 5/00; A45F 5/10; F16M 11/06-10;  
F16M 11/14; G02B 7/00-002

See application file for complete search history.

(56) **References Cited**

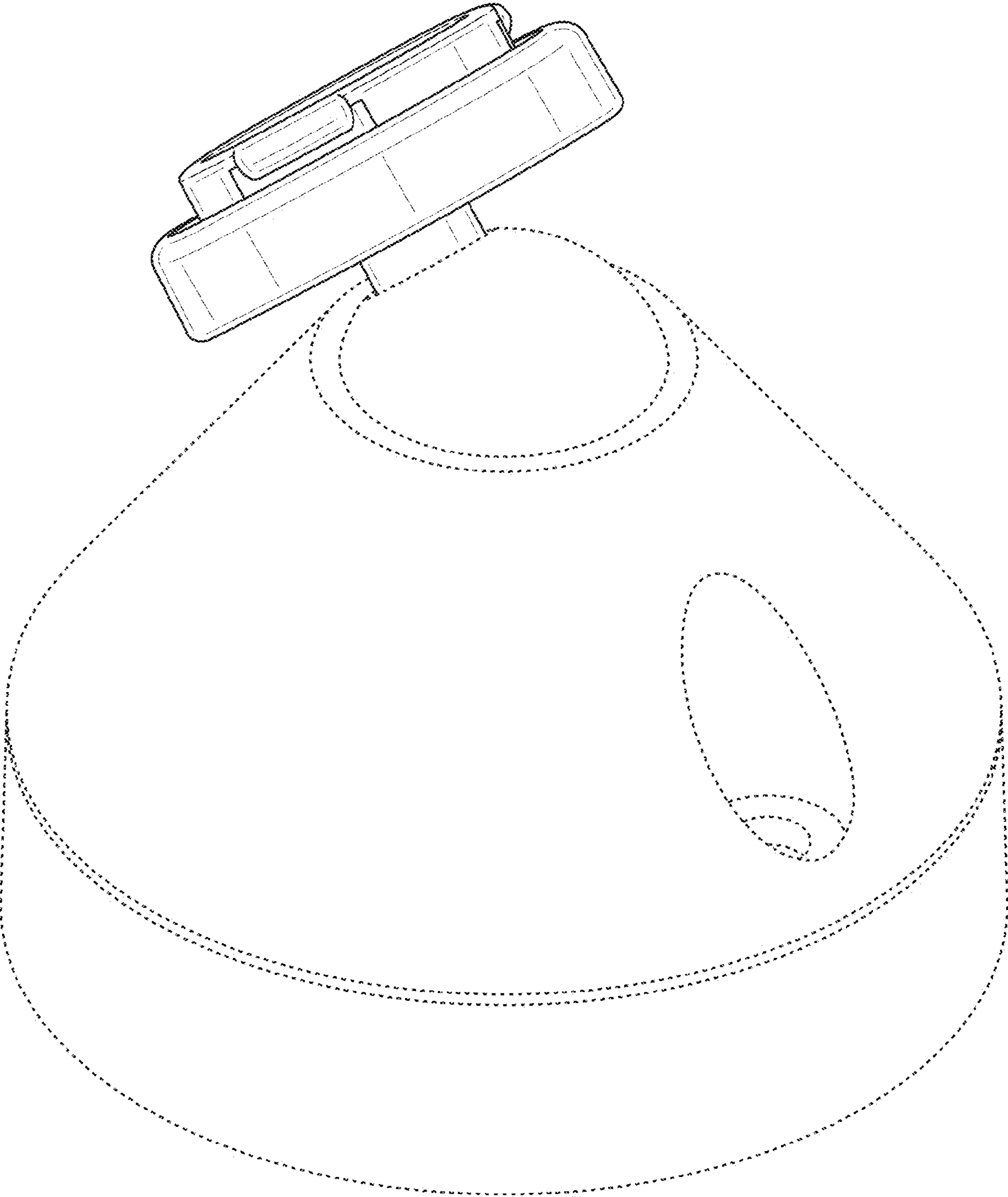
U.S. PATENT DOCUMENTS

D405,815 S	2/1999	Takizawa	
D549,709 S	8/2007	Richter	
D588,903 S	3/2009	Carnevali	
D638,406 S	5/2011	Chiang	
D659,177 S *	5/2012	Chan .....	D16/242
D677,297 S	3/2013	Bart et al.	
D695,816 S	12/2013	Raccah et al.	
D727,333 S	4/2015	Shih et al.	
9,243,739 B2 *	1/2016	Peters .....	A45F 5/00
D788,571 S	6/2017	Richter	
D801,414 S	10/2017	Martin et al.	
D806,522 S	1/2018	Hsu	
9,920,876 B2	3/2018	Prugue	
9,952,485 B1	4/2018	Luski et al.	
9,961,306 B1	5/2018	Lev et al.	
D841,077 S *	2/2019	Kip .....	D16/242
D873,897 S	1/2020	Wengreen	
D875,736 S	2/2020	Ramones et al.	
D902,289 S *	11/2020	Burns .....	D16/242
D933,118 S *	10/2021	Burns .....	D16/242

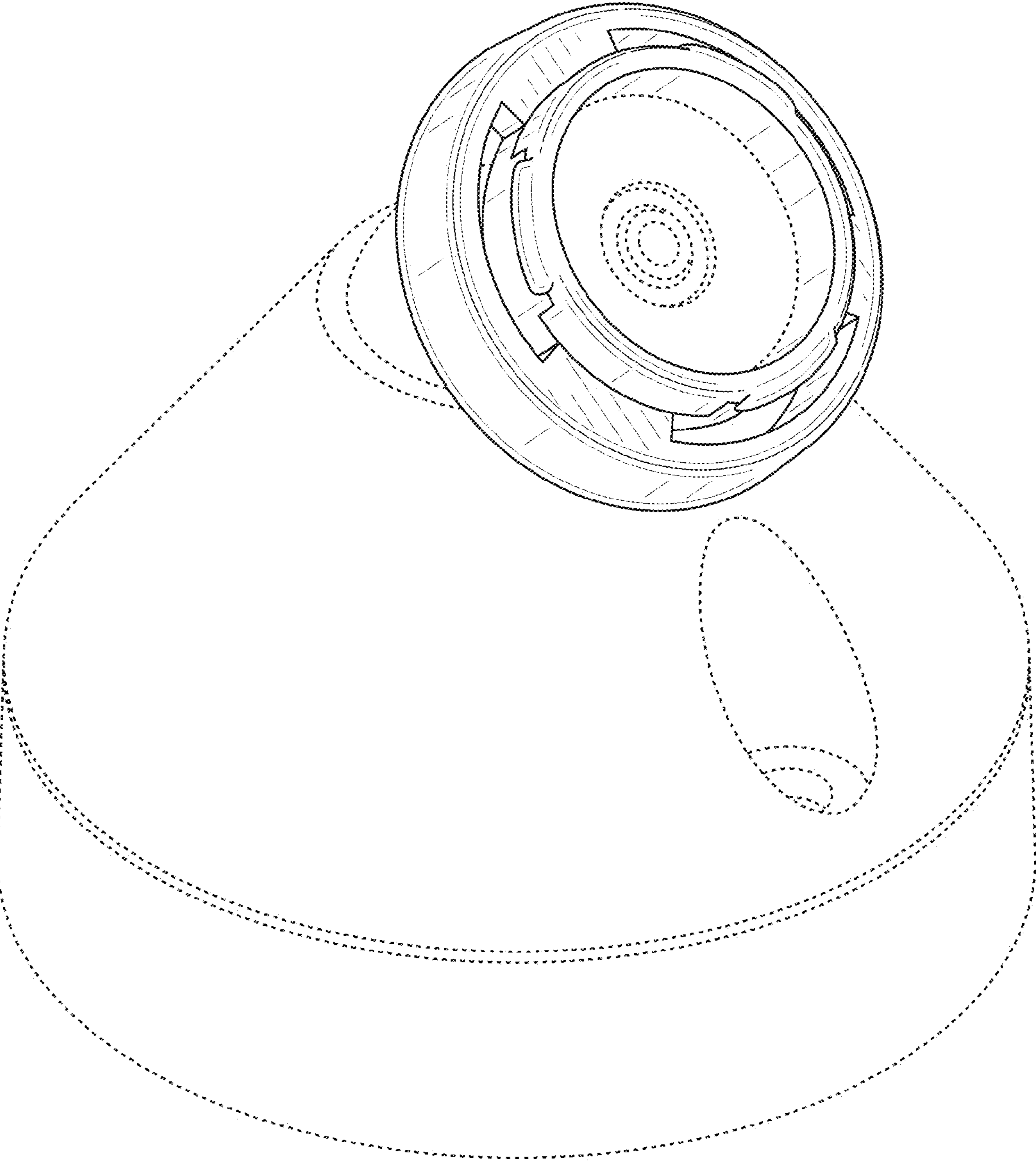
OTHER PUBLICATIONS

Office Action for U.S. Appl. No. 29/683,882, dated May 28, 2020,  
Burns, "Camera Mount", 5 Pages.

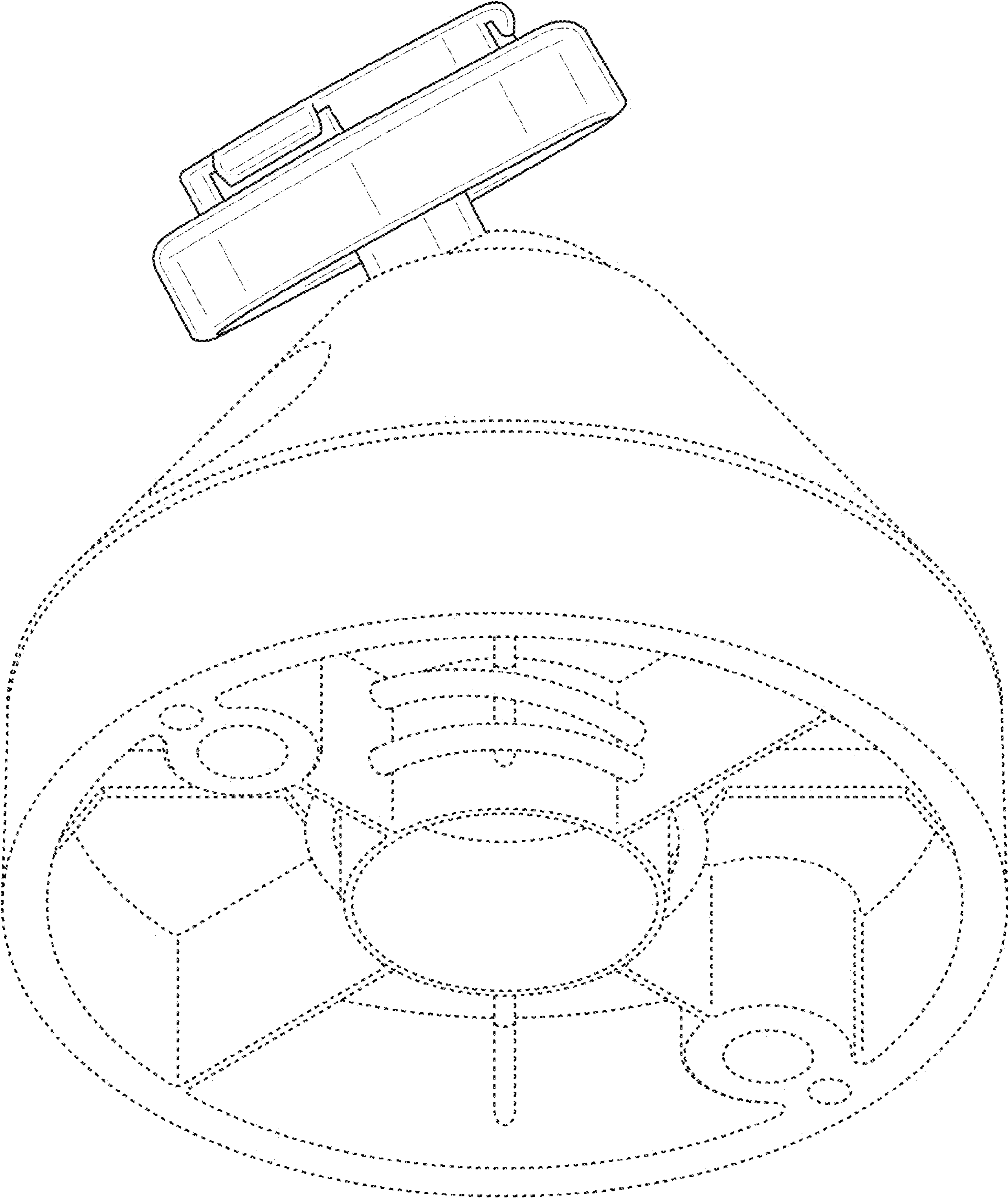
\* cited by examiner



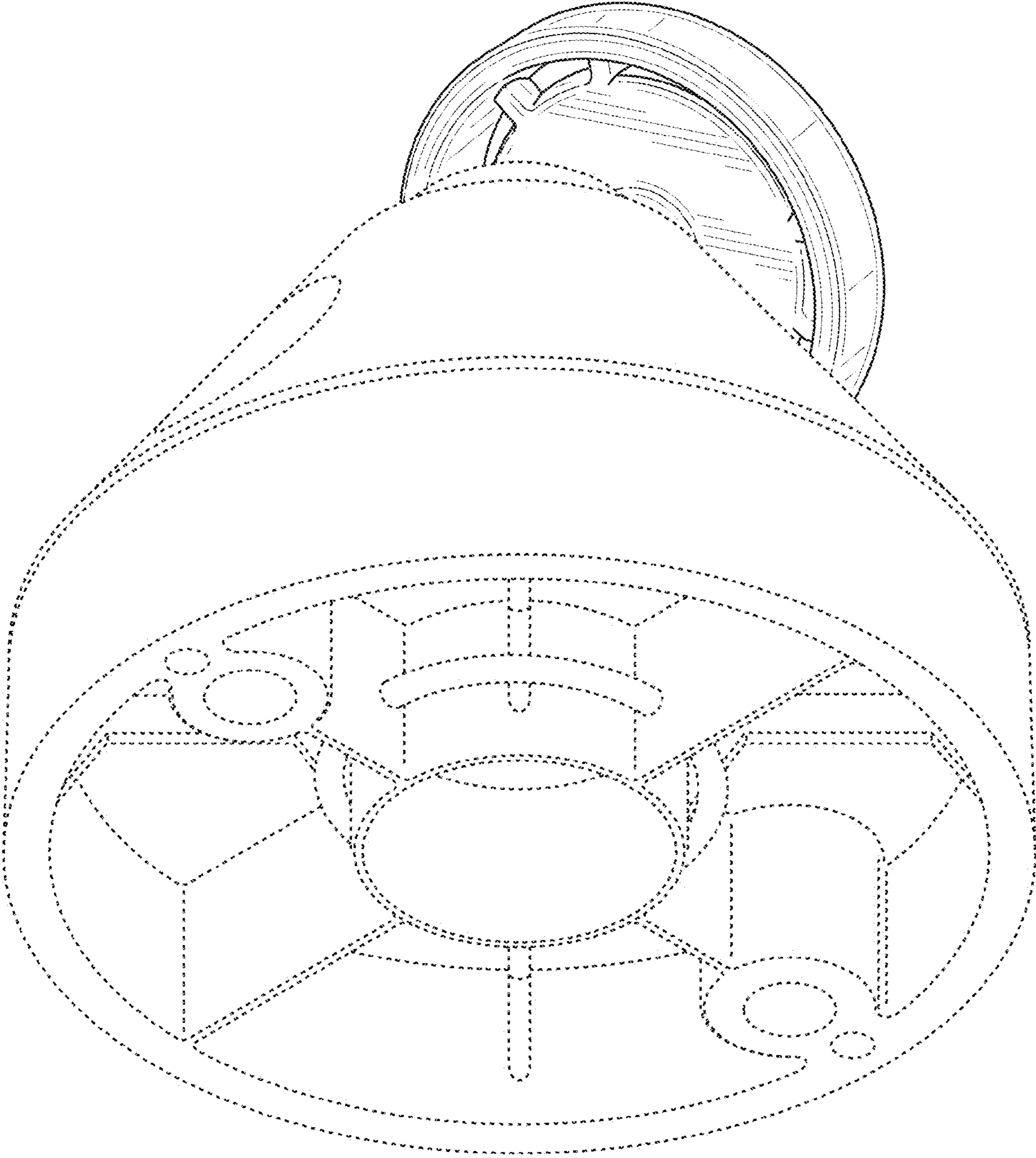
**FIG. 1**



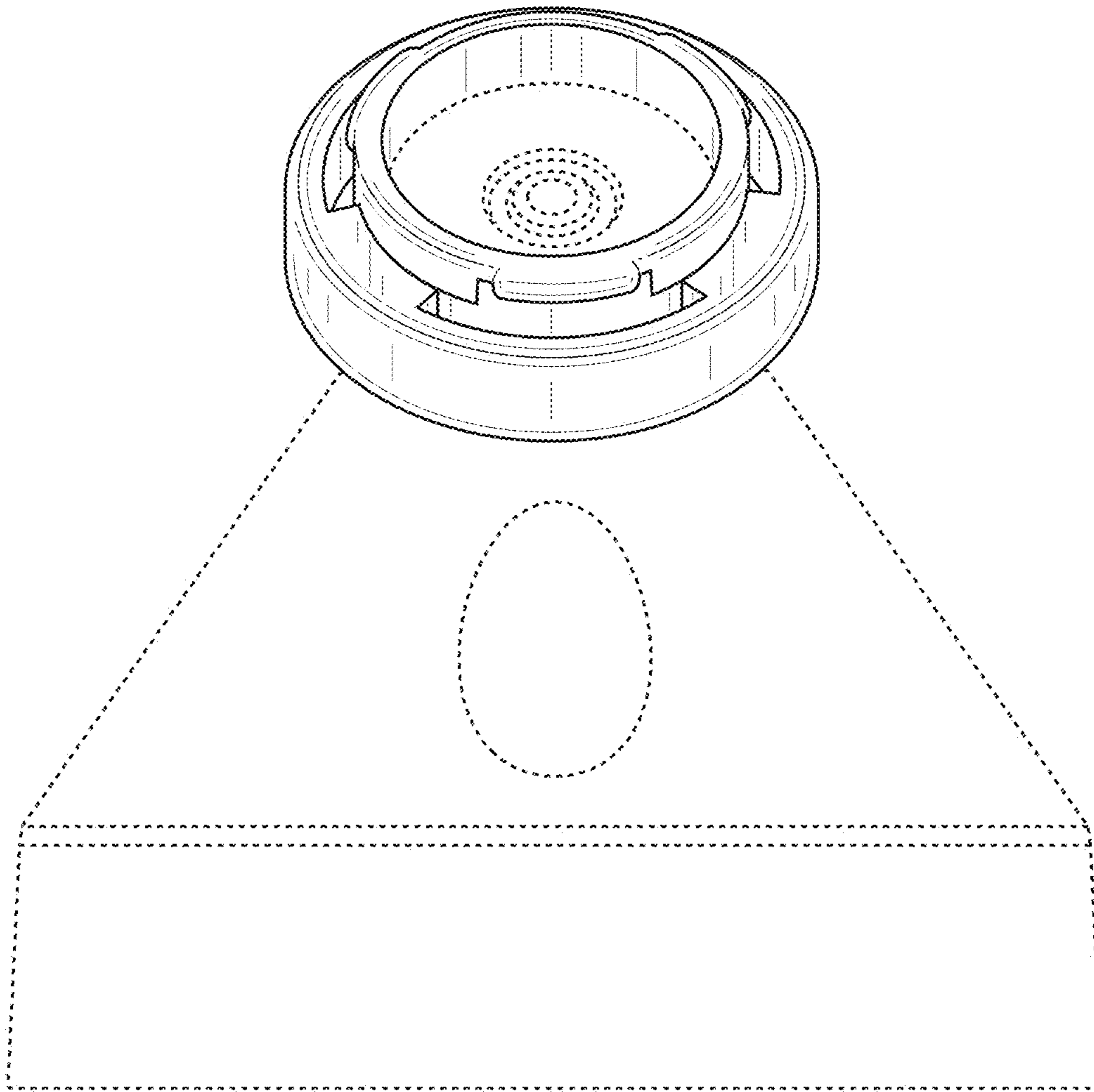
**FIG. 2**



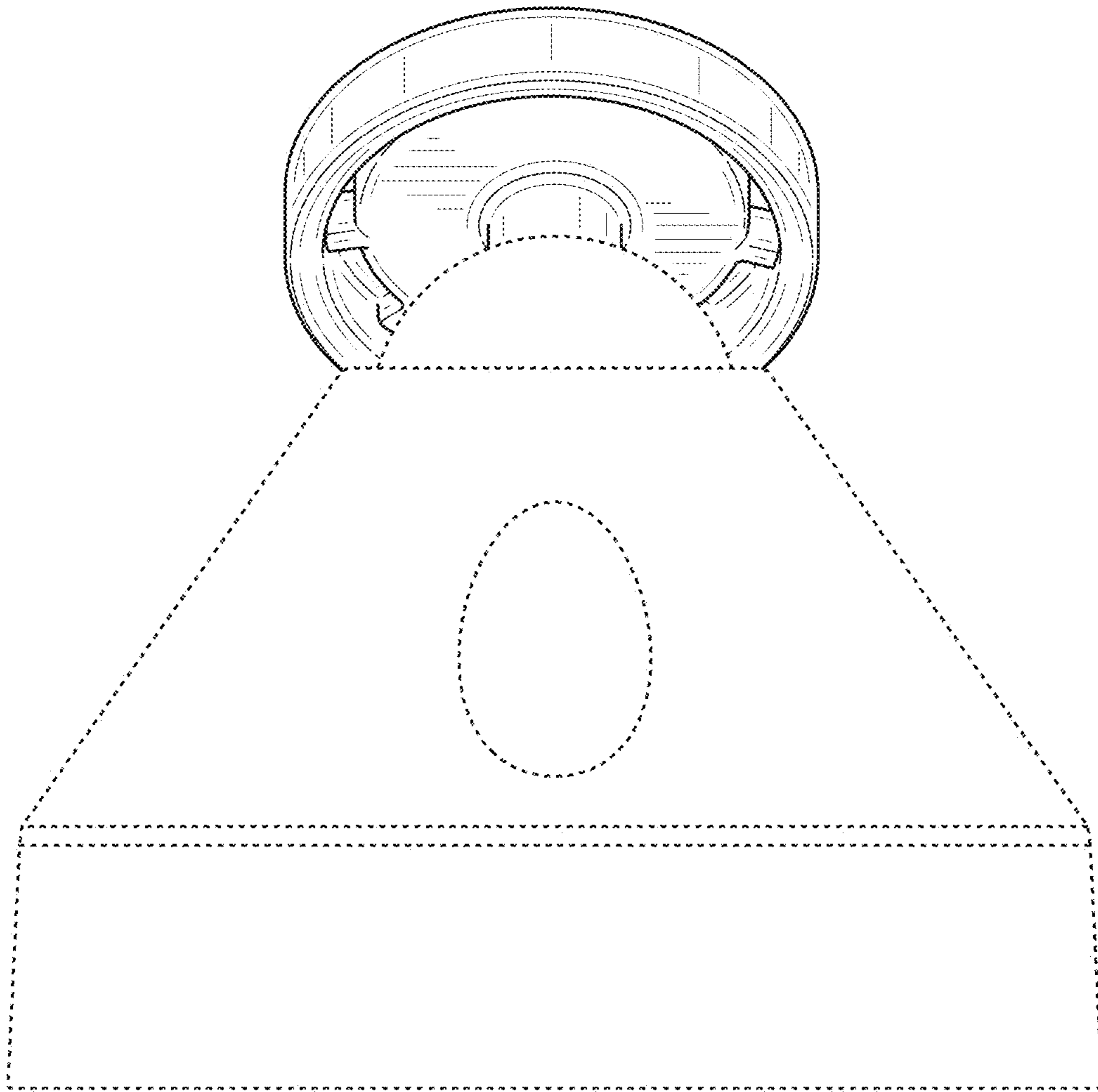
**FIG. 3**



**FIG. 4**

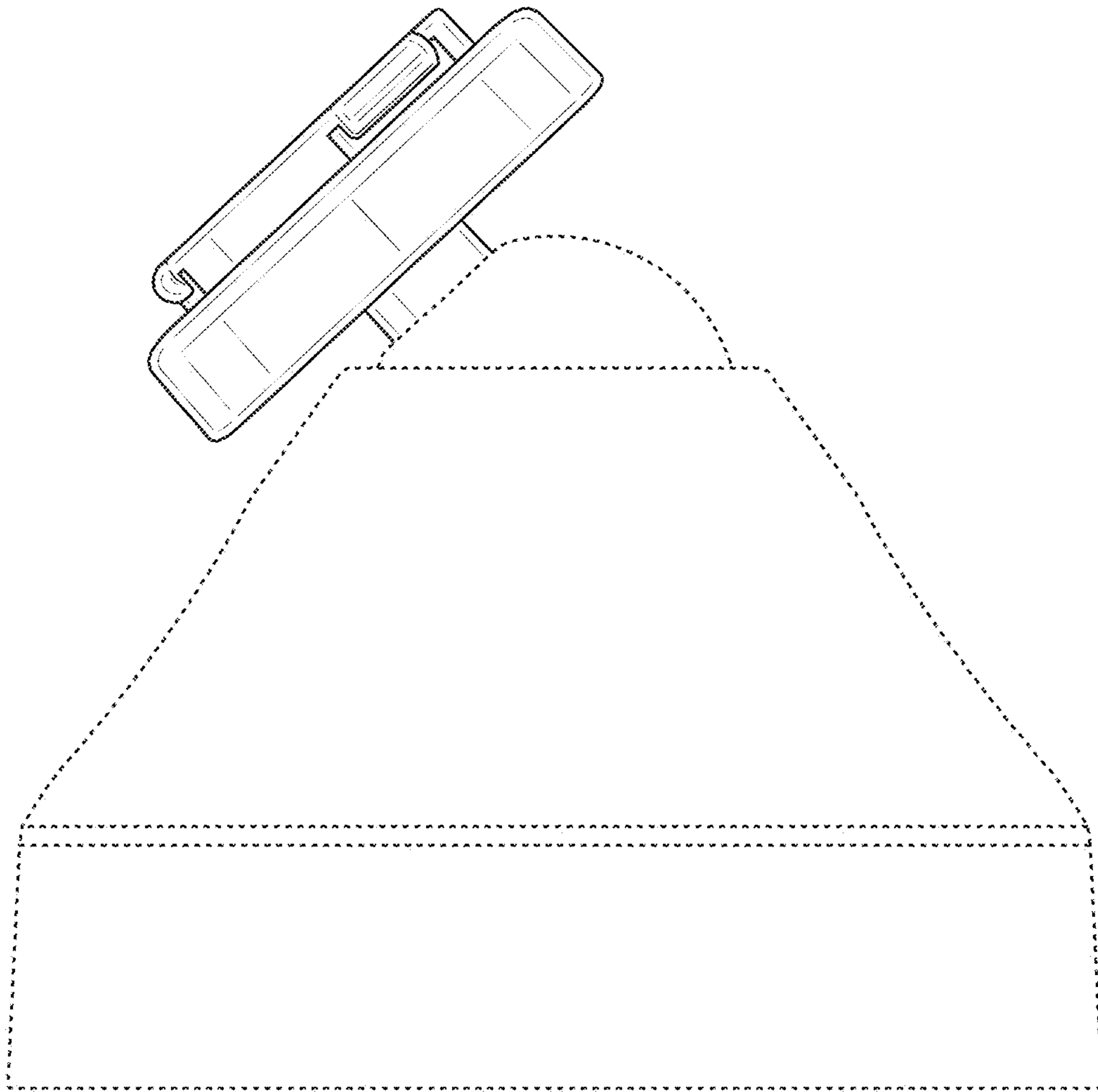


**FIG. 5**

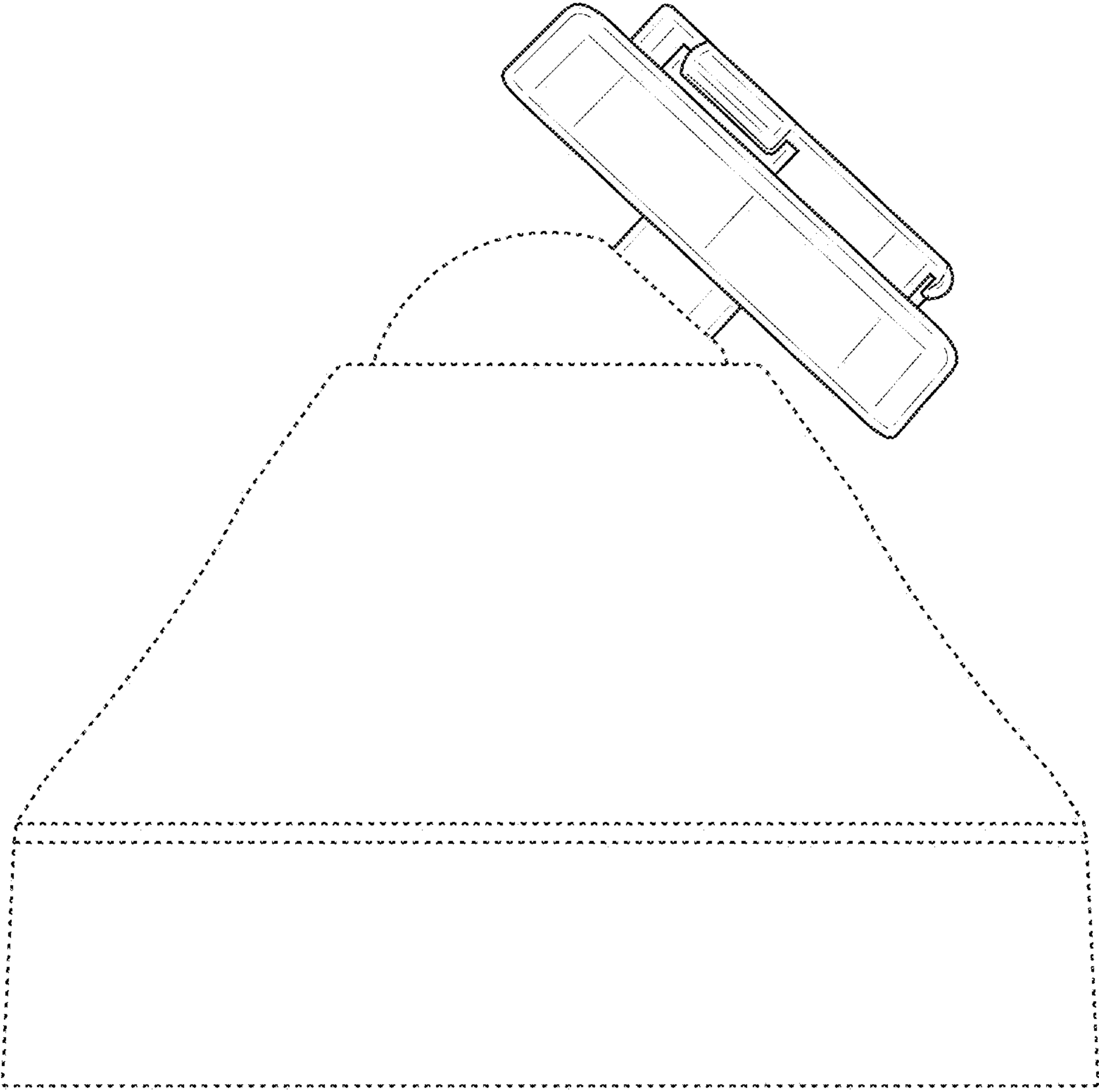


**FIG. 6**

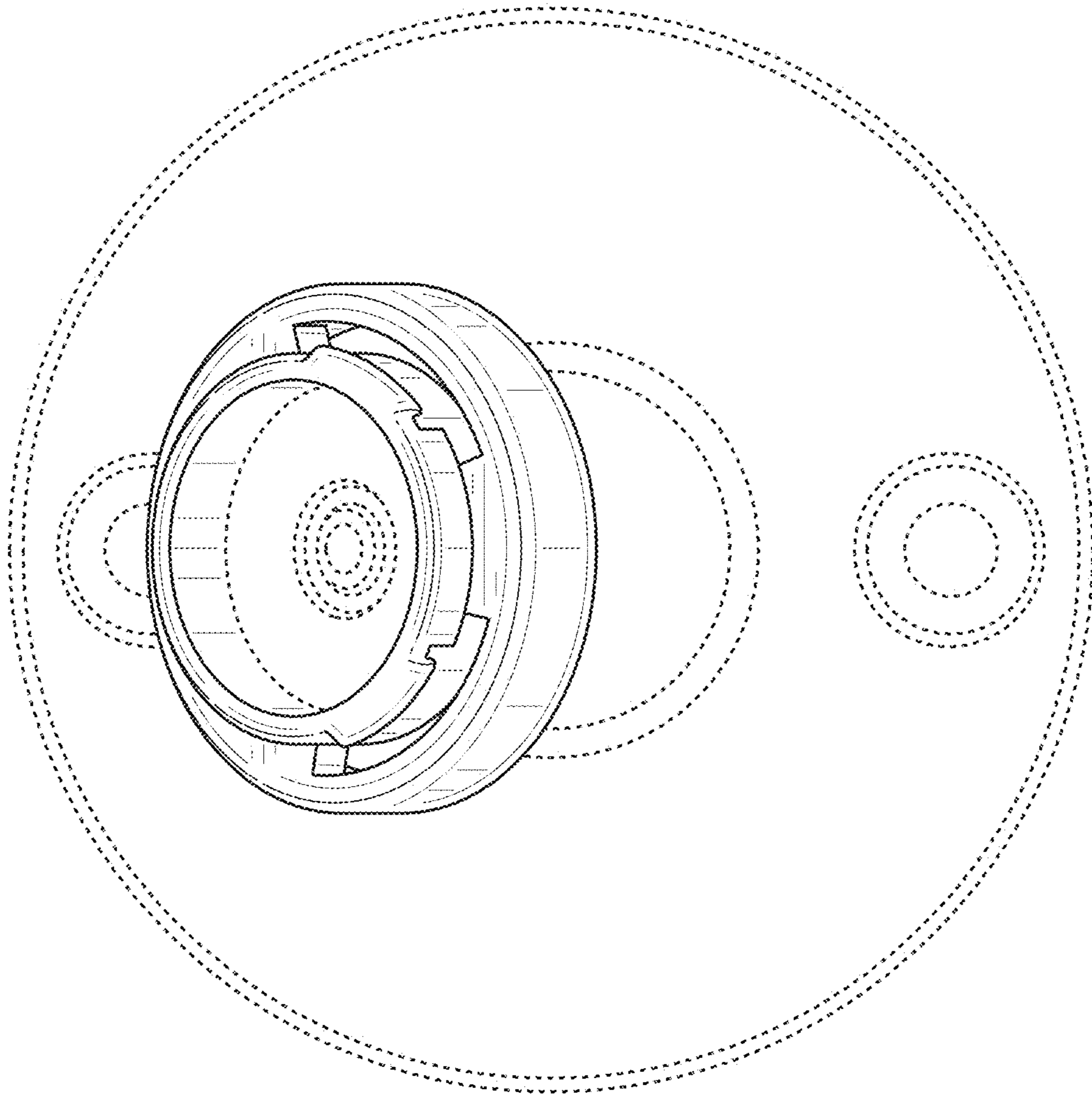




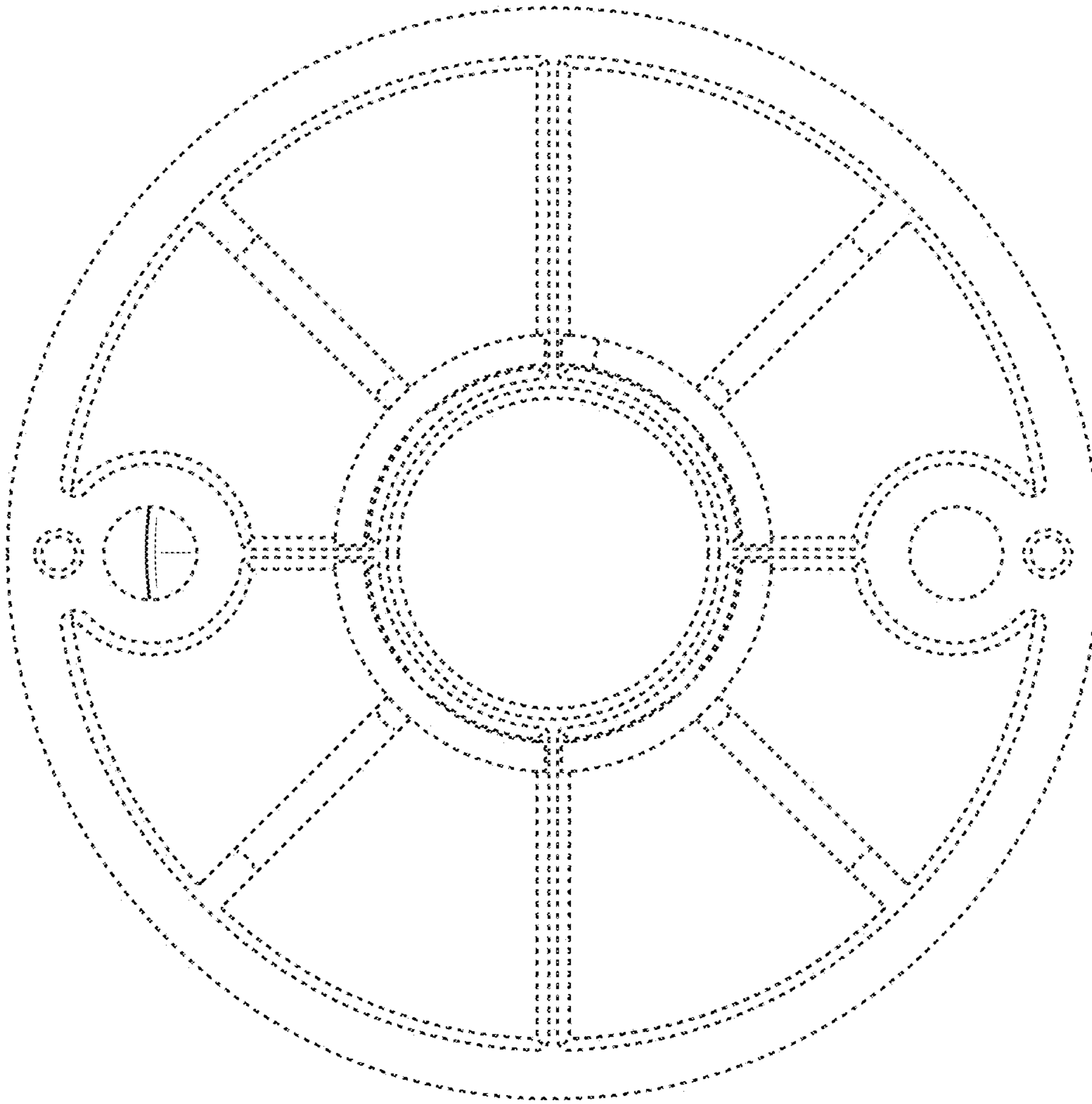
**FIG. 7**



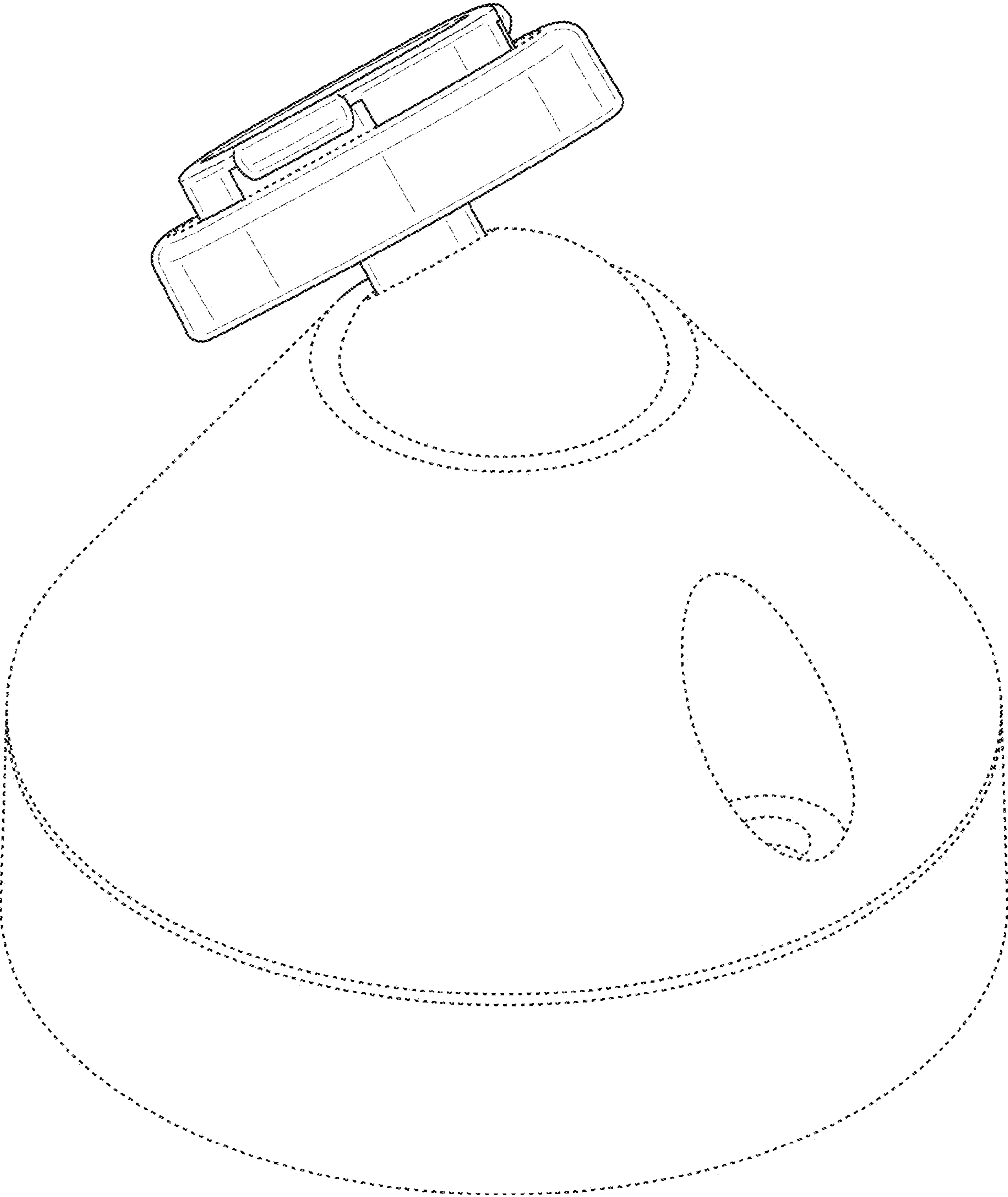
**FIG. 8**



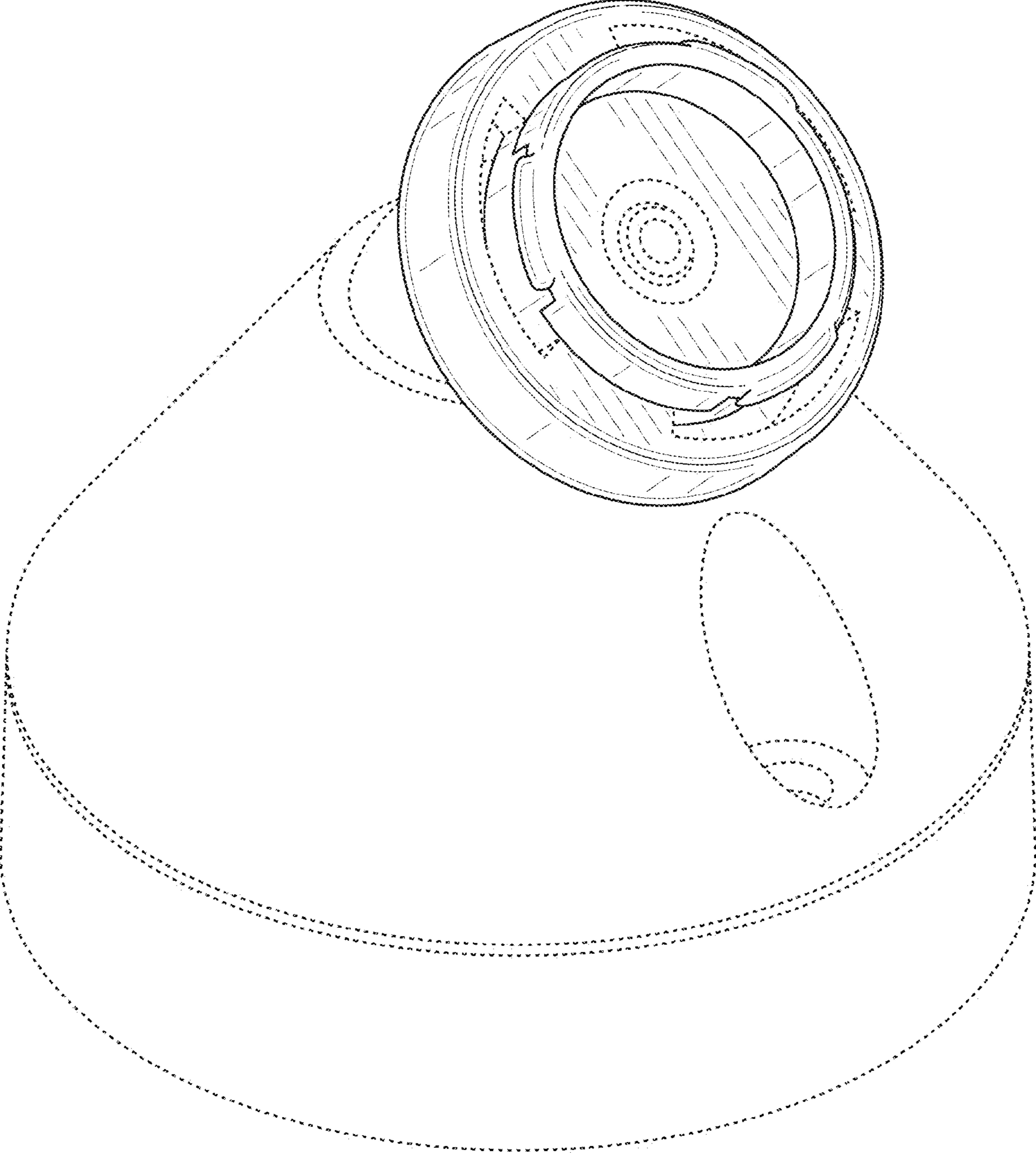
**FIG. 9**



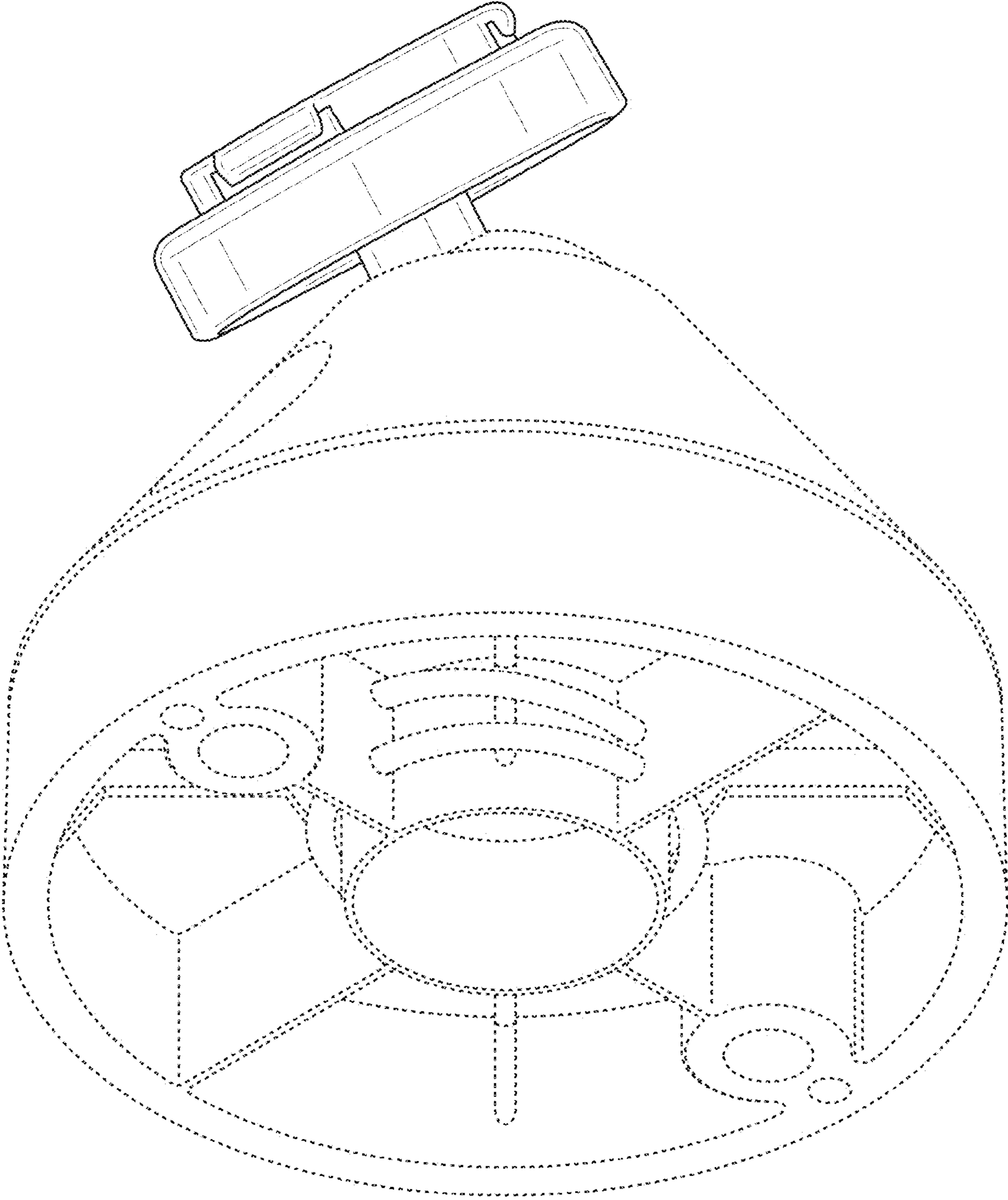
**FIG. 10**



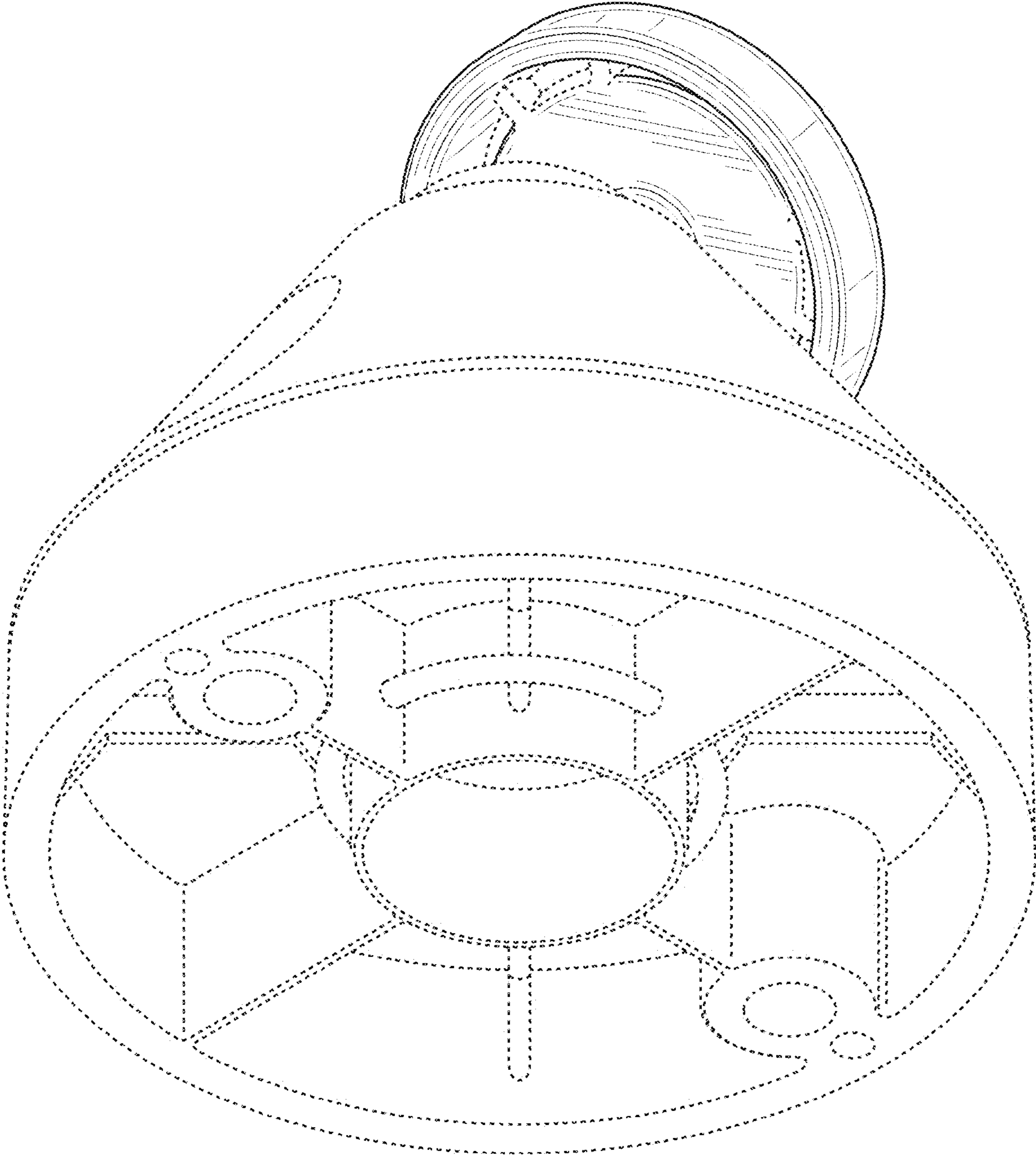
**FIG. 11**



**FIG. 12**

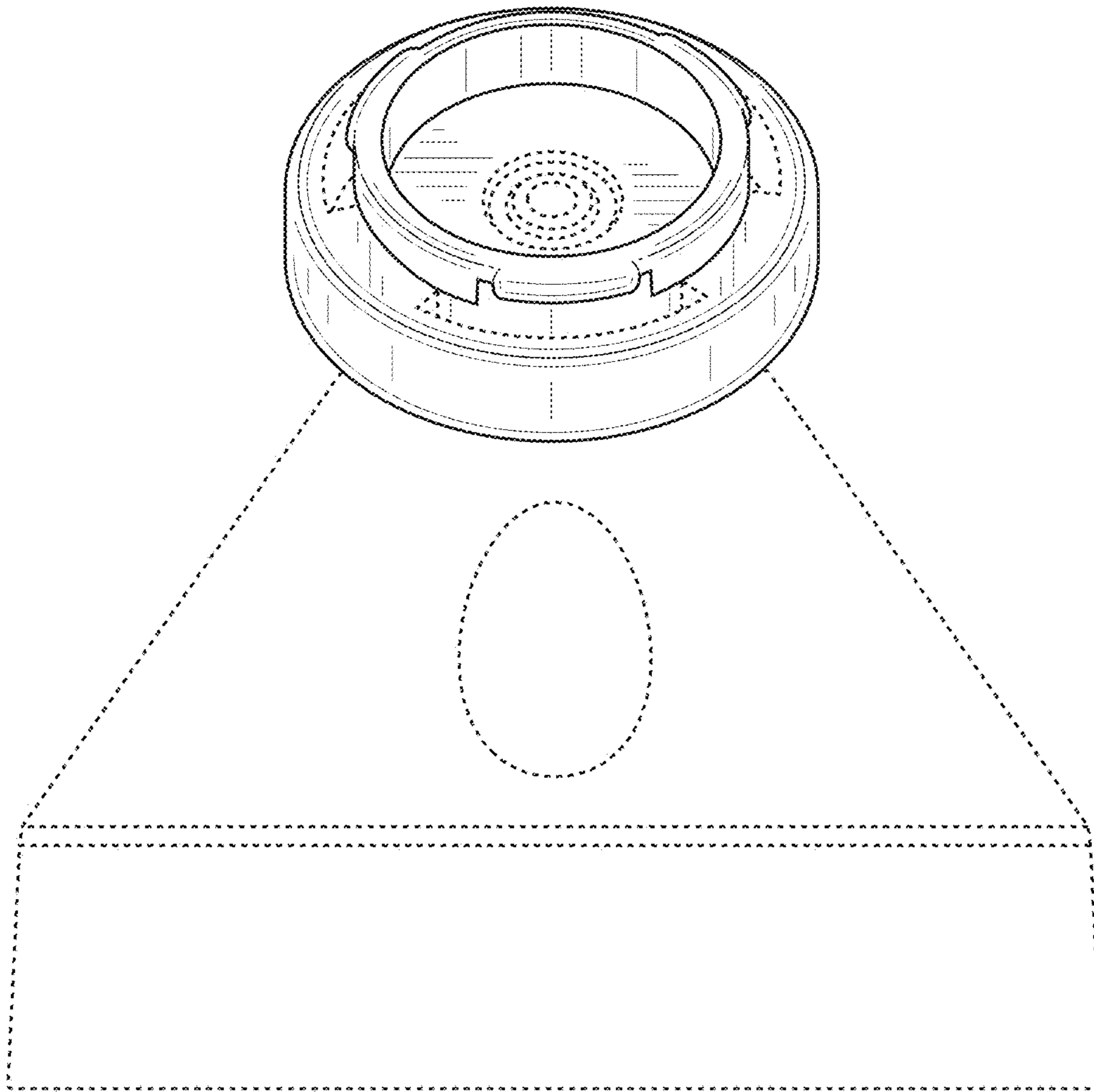


**FIG. 13**

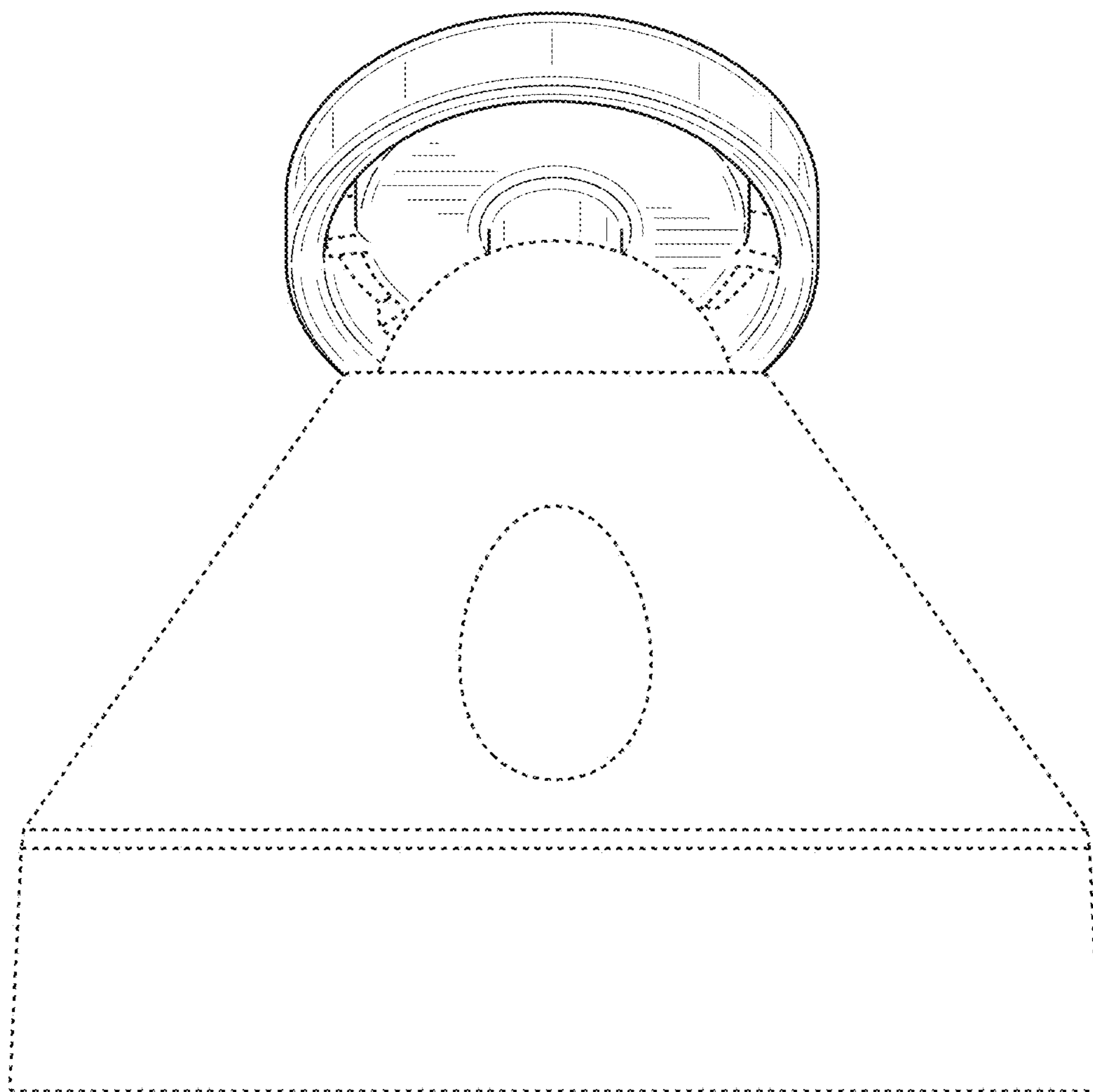


**FIG. 14**

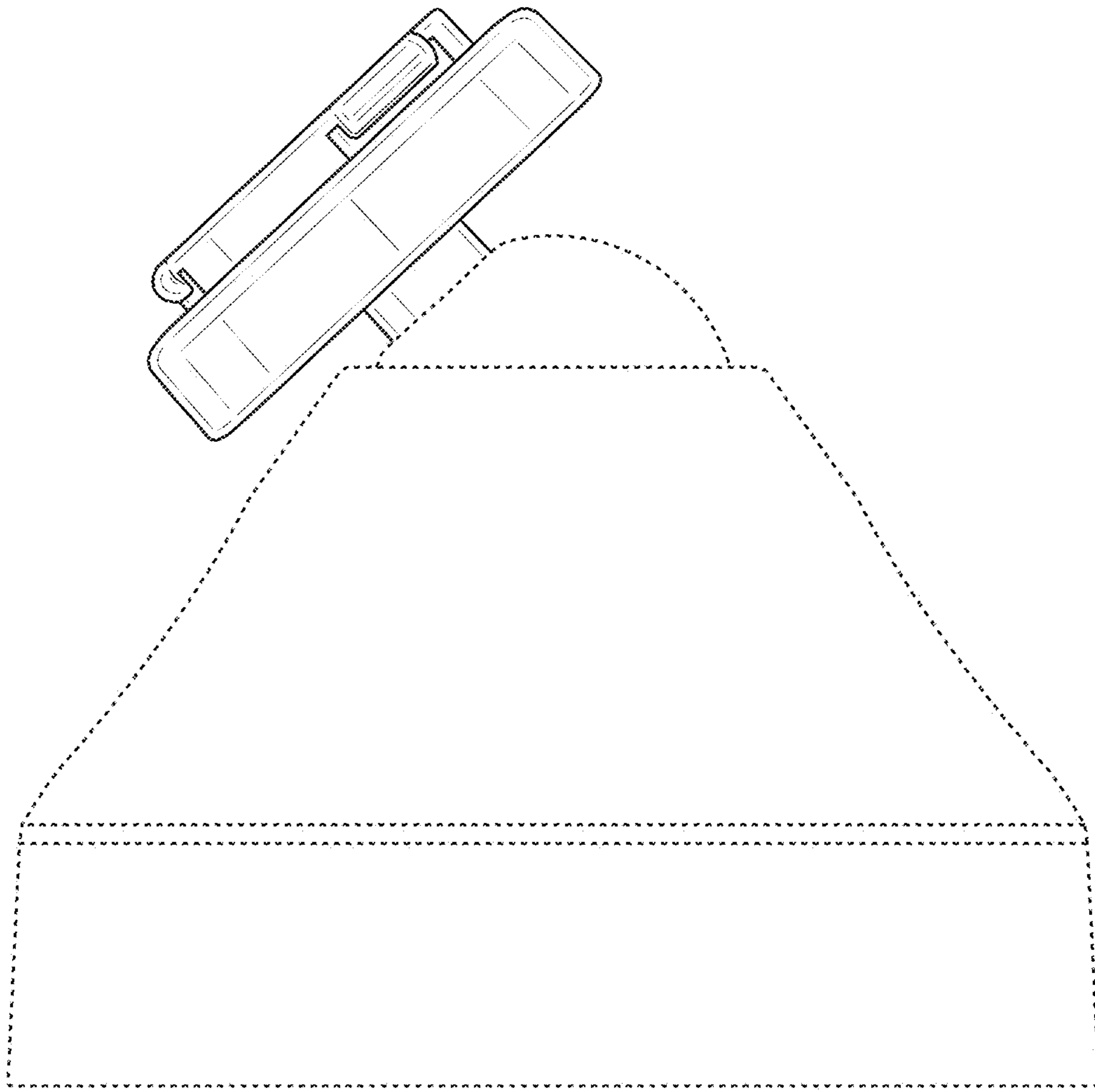




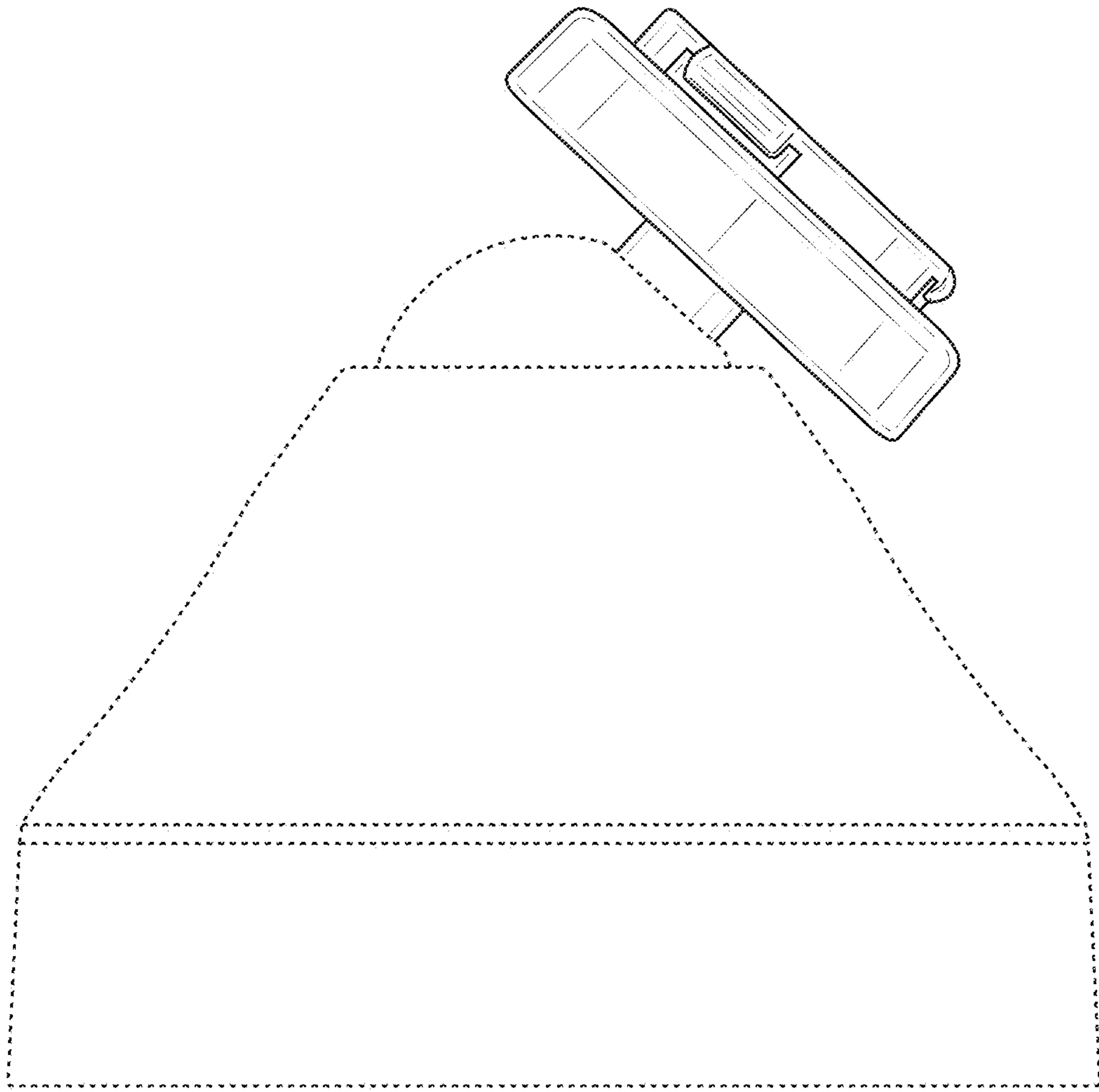
**FIG. 15**



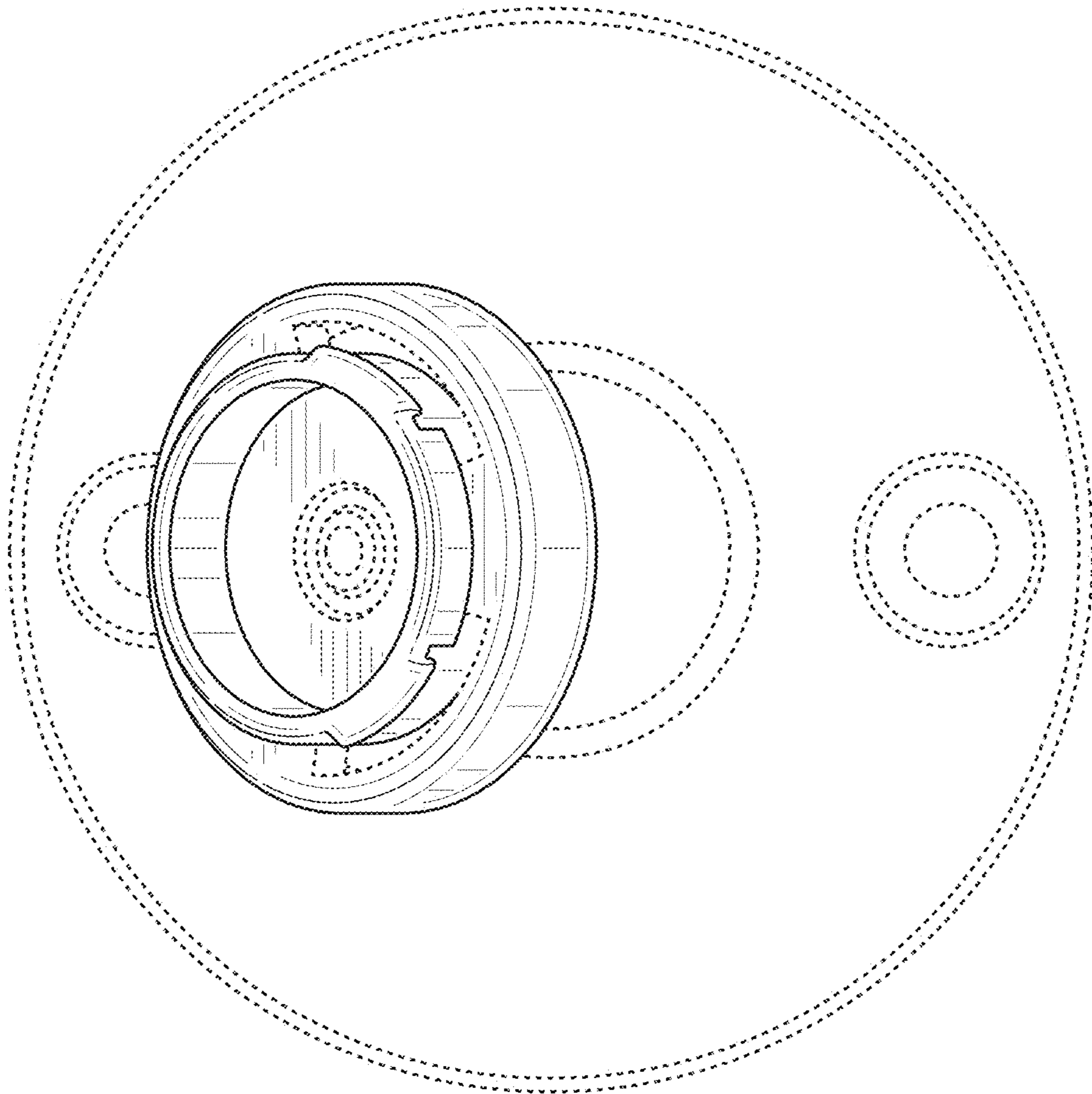
**FIG. 16**



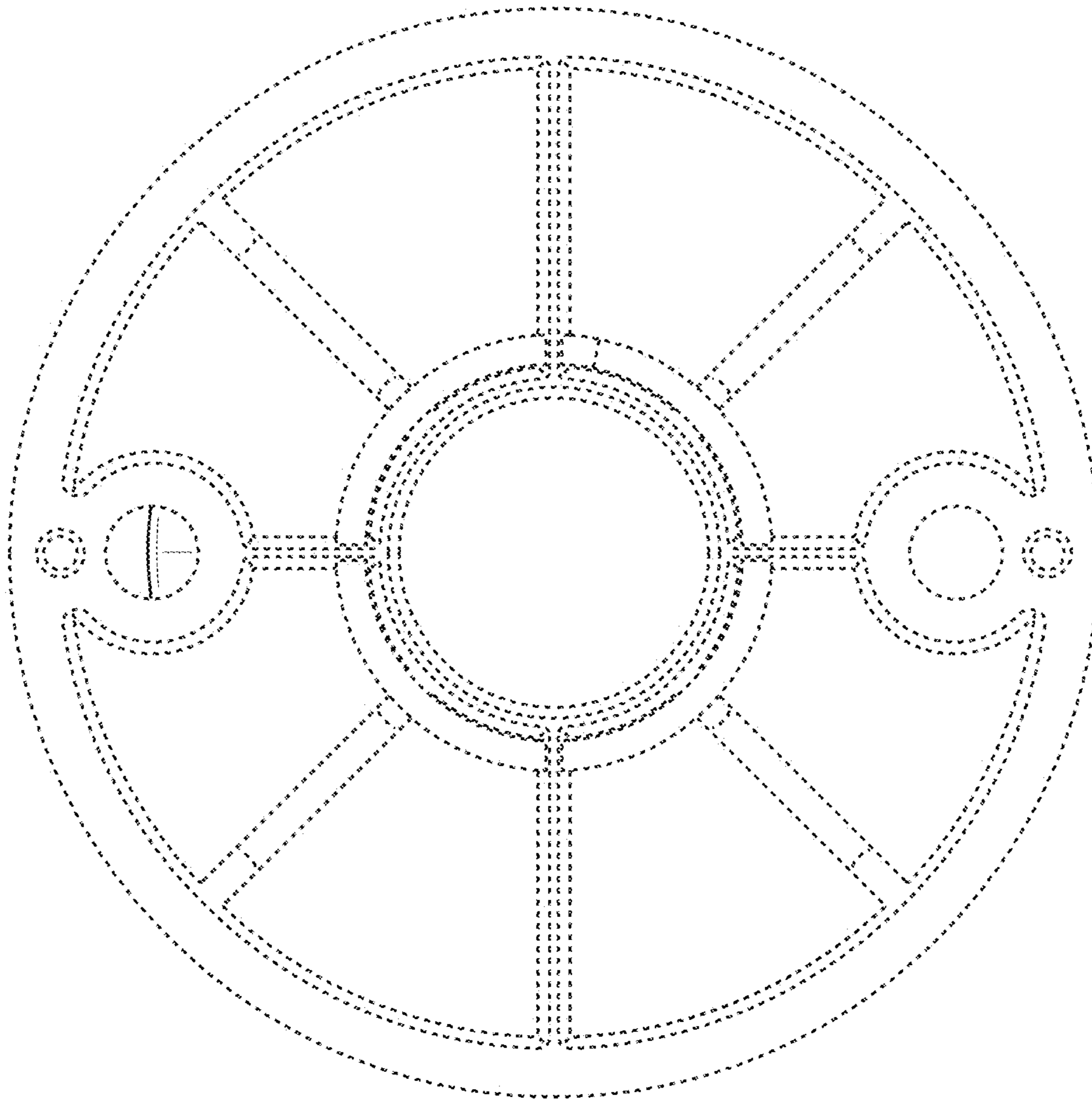
**FIG. 17**



**FIG. 18**



**FIG. 19**



**FIG. 20**