



US00D988390S

(12) **United States Design Patent**  
**Muhlenkamp, IV et al.**

(10) **Patent No.:** **US D988,390 S**  
(45) **Date of Patent:** **\*\* Jun. 6, 2023**

(54) **CAMERA**

(71) Applicant: **GoPro, Inc.**, San Mateo, CA (US)

(72) Inventors: **John George Muhlenkamp, IV**,  
Brisbane, CA (US); **Huy Phuong**  
**Nguyen**, Alpine, UT (US); **Daniel J.**  
**Coster**, Oakura (NZ)

(73) Assignee: **GoPro, Inc.**, San Mateo, CA (US)

(\*\*) Term: **15 Years**

(21) Appl. No.: **29/838,412**

(22) Filed: **May 12, 2022**

**Related U.S. Application Data**

(62) Division of application No. 29/814,777, filed on Nov. 9, 2021, now Pat. No. Des. 956,123, which is a division of application No. 29/785,302, filed on May 25, 2021, now Pat. No. Des. 950,629, which is a division of application No. 29/706,013, filed on Sep. 17, 2019, now Pat. No. Des. 920,419.

(51) **LOC (14) Cl.** ..... **16-01**

(52) **U.S. Cl.**  
USPC ..... **D16/218**

(58) **Field of Classification Search**

USPC ..... D16/200, 202–208, 218, 219, 242  
CPC ..... G03B 17/02; G03B 19/04; G03B 17/56;  
G03B 17/04; G03B 15/03; H04N 5/2251;  
H04N 5/2252; H04N 5/2253; H04N  
5/2254; H04N 7/181; H04N 7/183; H04N  
7/18; G08B 13/1963; G08B 13/19619;  
G08B 13/19632; F16M 11/04; F16M  
13/00

See application file for complete search history.

(56) **References Cited**

**U.S. PATENT DOCUMENTS**

1,612,277 A 12/1926 Leo  
D96,348 S 7/1935 Teaque

D118,296 S 12/1939 Tuomey  
3,508,482 A 4/1970 Taylor  
3,721,746 A 3/1973 Knappenberger  
(Continued)

**FOREIGN PATENT DOCUMENTS**

CA 168972 4/1916  
CN 1531337 A 9/2004  
(Continued)

**OTHER PUBLICATIONS**

“FlyHi Battery”. Found online Nov. 2, 2021 at amazon.com. Reference dated Nov. 21, 2016. 3 pages. Retrieved from <https://www.amazon.com/dp/B01MTQ9D74?tag=toptenbest-20>. (Year: 2016).  
(Continued)

*Primary Examiner* — Ramzi Almatrahi

(74) *Attorney, Agent, or Firm* — Young Basile Hanlon & MacFarlane, P.C.

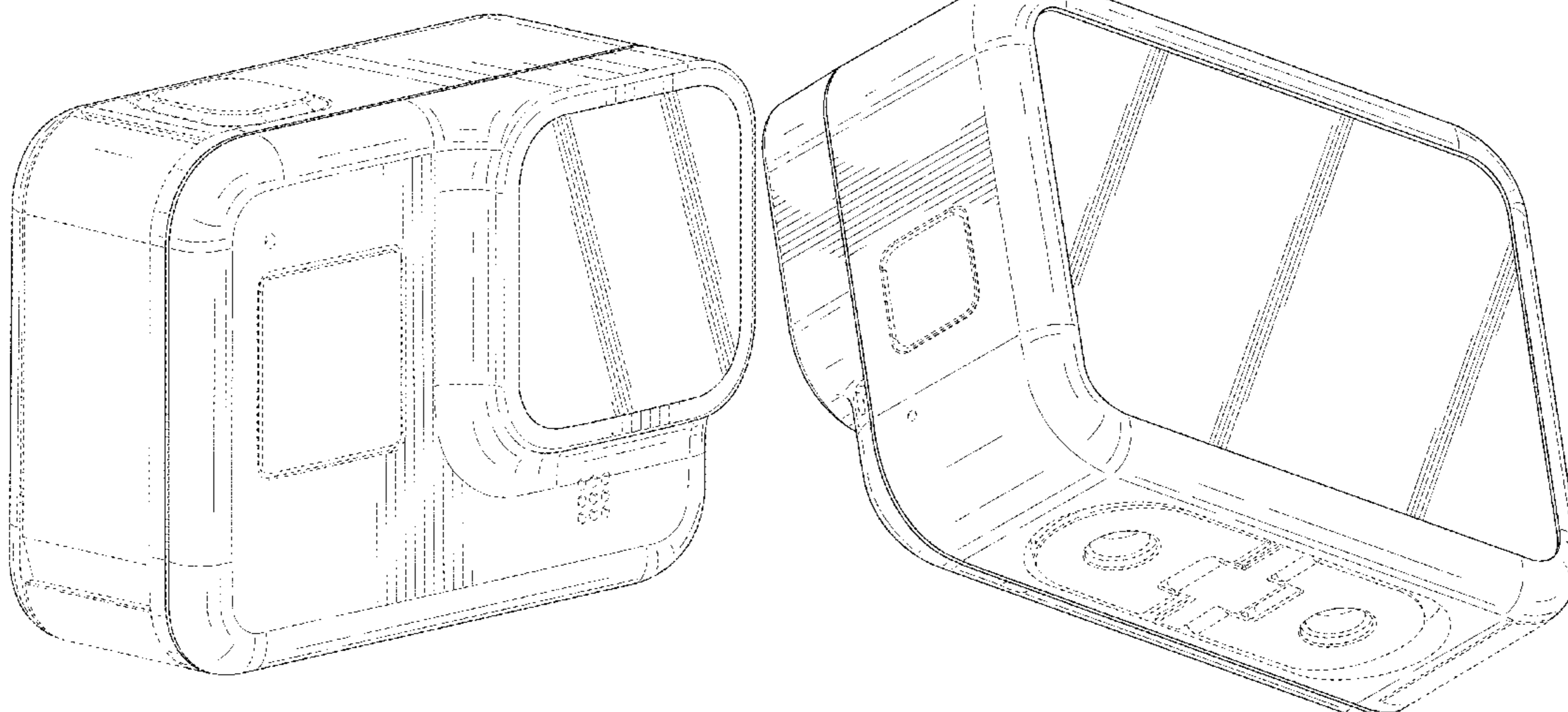
(57) **CLAIM**

The ornamental design for a camera, as shown and described.

**DESCRIPTION**

FIG. 1 is a top, front and left perspective view of a camera showing our new design;  
FIG. 2 is a bottom, rear and right perspective view thereof;  
FIG. 3 is a front view thereof;  
FIG. 4 is a rear view thereof;  
FIG. 5 is a right view thereof;  
FIG. 6 is a left view thereof;  
FIG. 7 is a top view thereof; and,  
FIG. 8 is a bottom view thereof.  
The broken lines depict portions of the camera that form no part of the claimed design.

**1 Claim, 8 Drawing Sheets**



(56)

## References Cited

## U.S. PATENT DOCUMENTS

D243,618 S	3/1977	Kaye	D531,199 S	10/2006	Matsuda
4,091,402 A	5/1978	Siegel	D532,029 S	11/2006	Kim
4,208,028 A	6/1980	Brown	D532,030 S	11/2006	Yoshida
D260,513 S	9/1981	Comstock	D532,433 S	11/2006	Sato
4,469,423 A	9/1984	Bresson	D533,574 S	12/2006	Hamamura
4,646,141 A	2/1987	Timmermans	D534,564 S	1/2007	Tainaka
4,733,259 A	3/1988	Ng	D535,249 S	1/2007	Ogasawara
D299,651 S	1/1989	Preussner	D535,253 S	1/2007	Buck
D321,705 S	11/1991	Ohmura	D538,322 S	3/2007	Horikiri
D328,888 S	8/1992	Zhu	D544,463 S	6/2007	Harris, Jr.
D329,040 S	9/1992	Seki	D546,277 S	7/2007	Andre
D334,169 S	3/1993	Antonczak	D551,969 S	10/2007	Aurilio
5,216,371 A	6/1993	Nagai	D555,587 S	11/2007	Yamamoto
D338,220 S	8/1993	Kohno	D556,803 S	12/2007	Ishida
D339,365 S	9/1993	Urcuilio	D561,092 S	2/2008	Kim
D348,043 S	6/1994	Hamilton	D566,151 S	4/2008	Won
D354,739 S	1/1995	Durham	D576,486 S	9/2008	Koza
5,400,234 A	3/1995	Yu	D577,729 S	9/2008	Derry
D372,896 S	8/1996	Nagele	D577,731 S	9/2008	Altonji
D385,283 S	10/1997	Snyder	D584,683 S	1/2009	Preliasco
D386,147 S	11/1997	Siddoway	D590,334 S	4/2009	Tatehata
D392,659 S	3/1998	Takano	D594,047 S	6/2009	Lee
5,808,663 A	9/1998	Okaya	D594,497 S	6/2009	Hatori
D400,496 S	11/1998	Barber	D596,217 S	7/2009	Kim
D402,955 S	12/1998	Smith	7,626,621 B2	12/2009	Ito
D404,356 S	1/1999	Higgins	7,653,292 B2	1/2010	Yamaguchi
D407,098 S	3/1999	Goto	D610,539 S	2/2010	Dahan
D408,796 S	4/1999	Georgopoulos	7,683,968 B2	3/2010	Hagihara
D409,160 S	5/1999	Sonntag	D616,480 S	5/2010	Ookawa
D412,153 S	7/1999	Chen	D616,742 S	6/2010	Lynn
D418,107 S	12/1999	Murray, III	D617,360 S	6/2010	Endo
D423,449 S	4/2000	Naskali	7,728,905 B2	6/2010	Tanaka
D432,493 S	10/2000	Killebrew	D621,860 S	8/2010	Fukano
6,153,834 A	11/2000	Cole	D622,591 S	8/2010	Biesecker, II
D439,218 S	3/2001	Yu	7,768,727 B2	8/2010	Iida
D441,386 S	5/2001	Yamazaki	7,801,439 B2	9/2010	Nagata
D442,982 S	5/2001	Adachi	D631,835 S	2/2011	Neidhart
6,233,400 B1	5/2001	Muramatsu	D635,607 S	4/2011	Takagi
D449,577 S	10/2001	Nishio	D637,552 S	5/2011	Inman
6,315,180 B1	11/2001	Watkins	D640,196 S	6/2011	Shuang
D456,006 S	4/2002	Maher	D641,389 S	7/2011	Dastagir
6,380,713 B2	4/2002	Namura	D642,517 S	8/2011	Inman
D457,132 S	5/2002	Petherbridge	D643,809 S	8/2011	Okuda
D460,411 S	7/2002	Wang	D644,988 S	9/2011	Finney
D463,469 S	9/2002	Kawase	D645,814 S	9/2011	Otani
D463,774 S	10/2002	Buck	8,014,656 B2	9/2011	Woodman
D474,489 S	5/2003	Kawashima	D646,222 S	10/2011	Tatehata
D480,682 S	10/2003	Kawase	D647,554 S	10/2011	Yim
D480,741 S	10/2003	Berger	D647,935 S	11/2011	Raken
D481,995 S	11/2003	Yokota	D647,944 S	11/2011	Jannard
D483,329 S	12/2003	Kuo	D648,270 S	11/2011	Jiang
D484,164 S	12/2003	Ogura	D654,850 S	2/2012	Obata
D486,510 S	2/2004	Ogura	D654,853 S	2/2012	Bacon
D487,765 S	3/2004	Dow	D657,808 S	4/2012	Woodman
6,718,129 B1	4/2004	Cornell	D660,339 S	5/2012	Yoshida
D490,370 S	5/2004	Picardo	D660,788 S	5/2012	Ziring
D491,137 S	6/2004	Suzuki	8,199,251 B2	6/2012	Woodman
D492,248 S	6/2004	Gregory	D664,995 S	8/2012	Akana
D494,940 S	8/2004	Fiocchi	D665,340 S	8/2012	Obata
D496,674 S	9/2004	Hayashi	8,247,106 B2	8/2012	Takeshita
D504,904 S	5/2005	Nagai	D667,003 S	9/2012	Richter
D509,189 S	9/2005	Buck	D668,247 S	10/2012	Kim
D510,721 S	10/2005	Axelrod	D674,749 S	1/2013	Moore
D512,371 S	12/2005	Axelrod	D676,476 S	2/2013	Ishikura
D515,121 S	2/2006	Bleau	D680,097 S	4/2013	Davies
D515,613 S	2/2006	Holmes	D681,550 S	5/2013	Corbin
D516,502 S	3/2006	Small	D682,777 S	5/2013	Gupta
D516,503 S	3/2006	Takeshita	D682,778 S	5/2013	Baumgartner
D521,445 S	5/2006	Liu	8,467,675 B2	6/2013	Chen
D521,446 S	5/2006	Liu	D687,426 S	8/2013	Requa
D523,808 S	6/2006	Thor	D690,280 S	9/2013	Schul
D524,241 S	7/2006	Takeshita	8,542,308 B2	9/2013	Ozawa
D524,836 S	7/2006	Morita	D692,042 S	10/2013	Dawes
D526,612 S	8/2006	Sugeno	8,544,643 B2	10/2013	Yim
D527,403 S	8/2006	Byun	D692,939 S	11/2013	Huang
			D699,672 S	2/2014	Kosugi
			D700,136 S	2/2014	Morris
			D700,166 S	2/2014	Petersen
			D702,276 S	4/2014	Woodman

(56)

## References Cited

## U.S. PATENT DOCUMENTS

D702,278 S	4/2014	Kim	9,395,031 B1	7/2016	Clearman
8,743,277 B2	6/2014	Matsuzawa	D762,759 S	8/2016	Wu
D708,189 S	7/2014	An	D763,346 S	8/2016	Jenkins
D708,571 S	7/2014	Ji	D763,941 S	8/2016	Smith
D709,439 S	7/2014	Ferber	D764,559 S	8/2016	Luo
8,792,003 B2	7/2014	Nakamura	D765,594 S	9/2016	Li
D710,921 S	8/2014	Gioscia	D766,175 S	9/2016	Tsiopanos
D710,922 S	8/2014	Gioscia	D766,351 S	9/2016	Li
D712,347 S	9/2014	Awiszus	D769,346 S	10/2016	Nguyen
D712,391 S	9/2014	Kim	D769,814 S	10/2016	Lin
D713,868 S	9/2014	Yang	D772,804 S	11/2016	Nakashima
8,828,601 B2	9/2014	Hara	D772,966 S	11/2016	Song
8,837,928 B1	9/2014	Clearman	9,507,245 B1	11/2016	Druker
D715,347 S	10/2014	Troxel	D773,546 S	12/2016	Nguyen
D715,789 S	10/2014	Yoon	D773,547 S	12/2016	Lee
8,865,339 B2	10/2014	Enari	D775,254 S	12/2016	Parfitt
D718,617 S	12/2014	Taylor	D776,183 S	1/2017	Miyazaki
D721,395 S	1/2015	Woodman	D776,610 S	1/2017	Nommensen
D722,043 S	2/2015	Requa	D776,612 S	1/2017	Chen
D722,864 S	2/2015	Greenthal	D776,738 S	1/2017	Clearman
D723,456 S	3/2015	Currah	D776,741 S	1/2017	Parfitt
D724,013 S	3/2015	Zsolcsak	D777,125 S	1/2017	Eder
D724,538 S	3/2015	Baumgartner	D777,236 S	1/2017	Mai
D724,637 S	3/2015	Samuels	D777,240 S	1/2017	Costa
D724,638 S	3/2015	Samuels	D777,821 S	1/2017	Gioscia
D725,169 S	3/2015	Gioscia	D778,335 S	2/2017	Gioscia
D725,590 S	3/2015	Clyne	D778,336 S	2/2017	Gioscia
D725,691 S	3/2015	De Rosa	D779,576 S	2/2017	Ikegame
8,992,102 B1	3/2015	Samuels	D780,111 S	2/2017	Clyne
D726,648 S	4/2015	Zealer	D780,112 S	2/2017	Lin
D727,387 S	4/2015	Hasegawa	D780,244 S	2/2017	Wang
D727,991 S	4/2015	Hasegawa	9,588,407 B1	3/2017	Harrison
9,004,783 B1	4/2015	Woodman	D785,692 S	5/2017	Wang
D729,059 S	5/2015	Taylor	D785,695 S	5/2017	Woodman
D729,761 S	5/2015	Hu	D785,696 S	5/2017	Parfitt
D729,762 S	5/2015	Hu	D785,697 S	5/2017	Costa
D730,287 S	5/2015	Motoyama	D788,835 S	6/2017	Wu
D730,423 S	5/2015	Vandenbussche	D789,435 S	6/2017	Nguyen
9,033,596 B2	5/2015	Samuels	D790,001 S	6/2017	Parfitt
D732,593 S	6/2015	Woodman	D790,002 S	6/2017	Nguyen
D733,781 S	7/2015	Chen	D790,454 S	6/2017	Lee
D733,788 S	7/2015	Baker	D791,211 S	7/2017	Fujita
D734,799 S	7/2015	Woodman	D791,695 S	7/2017	Bergman
9,077,013 B2	7/2015	Huang	D791,848 S	7/2017	Zhu
D737,879 S	9/2015	Woodman	D792,919 S	7/2017	Ryu
D739,451 S	9/2015	Gioscia	D793,463 S	8/2017	Houin
D740,868 S	10/2015	Gioscia	D794,554 S	8/2017	Chang
D741,394 S	10/2015	Gioscia	D794,695 S	8/2017	Zhang
D741,932 S	10/2015	Huang	D794,696 S	8/2017	Nguyen
D742,818 S	11/2015	Lin	D797,040 S	9/2017	Lavin, Jr.
D742,952 S	11/2015	Nakajima	D798,929 S	10/2017	Zhou
D744,572 S	12/2015	Tabuchi	D800,202 S	10/2017	Hu
D745,589 S	12/2015	Lee	D800,817 S	10/2017	Sutton
D745,920 S	12/2015	Lee	D800,819 S	10/2017	Parfitt
9,204,021 B2	12/2015	Woodman	D803,705 S	11/2017	Read
D750,146 S	2/2016	Costa	D803,919 S	11/2017	Jeong
D750,680 S	3/2016	Chen	D803,920 S	11/2017	Shin
D750,686 S	3/2016	Chen	D803,925 S	11/2017	Hoshi
D750,687 S	3/2016	Samuels	D804,560 S	12/2017	Costa
D750,690 S	3/2016	Lee	D805,117 S	12/2017	Nguyen
D751,131 S	3/2016	Woodman	D805,569 S	12/2017	Daugela
D752,672 S	3/2016	Clearman	D806,155 S	12/2017	Parfitt
D753,749 S	4/2016	Zhu	D806,775 S	1/2018	Nguyen
D754,238 S	4/2016	Woodman	D808,163 S	1/2018	Song
D754,769 S	4/2016	Patulski	D808,898 S	1/2018	Walker
D755,270 S	5/2016	Vehlewald	D814,543 S	4/2018	Oshima
D755,271 S	5/2016	Patulski	D815,032 S	4/2018	Lin
D755,274 S	5/2016	Lee	D815,677 S	4/2018	Gao
D755,874 S	5/2016	Yang	D816,753 S	5/2018	Zhang
D758,467 S	6/2016	Zhang	D818,025 S	5/2018	Wong
D759,145 S	6/2016	Lee	D818,028 S	5/2018	Ramones
D759,585 S	6/2016	Herbst	D818,029 S	5/2018	Fujita
D760,309 S	6/2016	Parfitt	D819,718 S	6/2018	Wu
D760,312 S	6/2016	Lee	D820,335 S	6/2018	Lukas
9,360,742 B1	6/2016	Harrison	D820,339 S	6/2018	Yau
			D820,898 S	6/2018	Fujita
			D821,476 S	6/2018	Martin
			D821,480 S	6/2018	Gioscia
			D821,481 S	6/2018	Gioscia

(56)

References Cited

U.S. PATENT DOCUMENTS

D824,982 S	8/2018	Lee	D906,396 S	12/2020	Schaarschmidt
D825,636 S	8/2018	Hueber	D907,101 S	1/2021	Coster
D829,260 S	9/2018	Fujita	D907,680 S	1/2021	Nguyen
D830,446 S	10/2018	Muhlenkamp, IV	D907,682 S	1/2021	Sjögren
D832,905 S	11/2018	Liu	D911,412 S	2/2021	Alberstein
D832,906 S	11/2018	Hasegawa	D911,418 S	2/2021	Yap
D833,505 S	11/2018	Hu	D912,120 S	3/2021	Druker
D835,172 S	12/2018	Fujita	D920,419 S	5/2021	Muhlenkamp, IV
D835,574 S	12/2018	Trongone	D921,086 S	6/2021	Li
D835,910 S	12/2018	Eliyahu	D921,737 S	6/2021	Liang
D836,696 S	12/2018	Zhang	D921,740 S	6/2021	Coster
D837,861 S	1/2019	Luo	D923,075 S	6/2021	Grant
D837,865 S	1/2019	Parfitt	D925,643 S	7/2021	Hsu
D838,762 S	1/2019	Piekarski	D926,243 S	7/2021	Tsukamoto
D839,335 S	1/2019	Zhang	D928,863 S	8/2021	Alberstein
D839,945 S	2/2019	Lenz	D935,507 S	11/2021	Li
D840,463 S	2/2019	Nguyen	D939,608 S	12/2021	Han
D842,142 S	3/2019	Recker	D939,610 S	12/2021	Han
D848,509 S	5/2019	Lee	D940,066 S	1/2022	Venugopal
D849,076 S	5/2019	Bertram	D941,904 S	1/2022	Coster
D849,078 S	5/2019	Girotti	D942,373 S	2/2022	Ruffing
D849,084 S	5/2019	Hu	D943,654 S	2/2022	Jiang
D849,100 S	5/2019	Hsu	D946,074 S	3/2022	Muhlenkamp
D849,108 S	5/2019	Huang	D947,920 S	4/2022	Muhlenkamp
D849,730 S	5/2019	Charette	D949,222 S	4/2022	Bergman
D850,513 S	6/2019	Gan	D950,624 S	5/2022	Muhlenkamp
D851,155 S	6/2019	Hu	D950,628 S	5/2022	Au
D852,255 S	6/2019	Guo	D950,629 S	5/2022	George
D852,256 S	6/2019	Bai	D963,017 S *	9/2022	Muhlenkamp, IV ..... D16/200
D854,597 S	7/2019	Gao	D963,022 S *	9/2022	Muhlenkamp, IV ..... D16/200
D855,675 S	8/2019	Luo	D963,726 S *	9/2022	Au ..... D16/200
D857,076 S	8/2019	Gan	2001/0034163 A1	10/2001	Chiang
D859,498 S	9/2019	Lin	2002/0046218 A1	4/2002	Gilbert
D861,592 S	10/2019	Venugopal	2002/0090212 A1	7/2002	Shimamura
D861,761 S	10/2019	Bergman	2002/0136557 A1	9/2002	Shimamura
D861,765 S	10/2019	Muhlenkamp, IV	2003/0156212 A1	8/2003	Kingetsu
D861,766 S	10/2019	Lim	2004/0223752 A1	11/2004	Ghanouni
D863,404 S	10/2019	Karpenko	2005/0019029 A1	1/2005	Kawakami
D864,275 S	10/2019	Huang	2005/0208345 A1	9/2005	Yoon
D865,843 S	11/2019	Hu	2005/0212959 A1	9/2005	Manabe
D865,844 S	11/2019	Jalala	2006/0233545 A1	10/2006	Senba
D865,845 S	11/2019	Sakai	2006/0257137 A1	11/2006	Fromm
D867,420 S	11/2019	Zhang	2007/0019948 A1	1/2007	Terada
D867,427 S	11/2019	Bai	2007/0071423 A1	3/2007	Fantone
D868,871 S	12/2019	Nguyen	2007/0140686 A1	6/2007	Misawa
D868,874 S	12/2019	Muhlenkamp, IV	2008/0117328 A1	5/2008	Daoud
D869,844 S	12/2019	Eliyahu	2008/0248703 A1	10/2008	Russell
D870,176 S	12/2019	Hokari	2009/0032420 A1	2/2009	Zenzai
D870,183 S	12/2019	Tsukamoto	2010/0060747 A1	3/2010	Woodman
D871,480 S	12/2019	Hu	2010/0061711 A1	3/2010	Woodman
10,523,925 B2	12/2019	Woodman	2011/0001834 A1	1/2011	Herrell
D872,156 S	1/2020	Zhao	2011/0042530 A1	2/2011	Phillips
D872,162 S	1/2020	Gao	2011/0129210 A1	6/2011	McGucken
10,536,615 B2	1/2020	Campbell	2011/0216195 A1	9/2011	Tanaka
D876,521 S	2/2020	Costa	2011/0223447 A1	9/2011	Ignor
10,574,871 B2	2/2020	Abbas	2011/0317065 A1	12/2011	Lin
D880,561 S	4/2020	Muhlenkamp	2013/0186310 A1	7/2013	Lymberis
D880,567 S	4/2020	Zhang	2013/0200768 A1	8/2013	Miura
D880,569 S	4/2020	Zhang	2013/0321696 A1	12/2013	Bae
D881,974 S	4/2020	Nguyen	2014/0060582 A1	3/2014	Hartranft
D882,666 S	4/2020	Tsukamoto	2014/0160349 A1	6/2014	Huang
D884,597 S	5/2020	Pilliod	2015/0022717 A1	1/2015	Coons
D887,970 S	6/2020	Himeno	2015/0122849 A1	5/2015	Jones
D890,709 S	7/2020	Lim	2015/0189131 A1	7/2015	Woodman
D890,835 S	7/2020	Nguyen	2015/0316835 A1	11/2015	Scott
D892,194 S	8/2020	Nguyen	2015/0318579 A1	11/2015	Kwon
D892,905 S	8/2020	Nguyen	2016/0116828 A1	4/2016	Clearman
D893,578 S *	8/2020	Denby ..... D16/218	2016/0119516 A1	4/2016	Clearman
D894,256 S	8/2020	Vitale	2016/0131963 A1	5/2016	Clearman
D897,400 S	9/2020	Liu	2016/0209731 A1	7/2016	Song
D897,403 S	9/2020	Liu	2016/0274338 A1	9/2016	Davies
D897,408 S	9/2020	Tsukamoto	2017/0059967 A1	3/2017	Harrison
10,768,508 B1	9/2020	Woodman	2017/0111559 A1	4/2017	Abbas
D900,911 S	11/2020	Muhlenkamp, IV	2017/0150236 A1	5/2017	Newman
D903,740 S	12/2020	Au	2017/0195550 A1	7/2017	Kim
			2017/0289413 A1	10/2017	Samuels
			2017/0324890 A1	11/2017	Moskovchenko
			2018/0039162 A1	2/2018	Ali
			2018/0081258 A1	3/2018	Clyne

(56)

References Cited

U.S. PATENT DOCUMENTS

2018/0084194	A1	3/2018	Woodman
2018/0084215	A1	3/2018	Jing
2018/0102123	A1	4/2018	Tisch
2018/0103189	A1	4/2018	Nguyen
2018/0103190	A1	4/2018	Nguyen
2018/0146122	A1	5/2018	Campbell
2018/0198989	A1	7/2018	MacMillan
2018/0262682	A1	9/2018	Wang
2019/0179214	A1	6/2019	Hara
2020/0159091	A1	5/2020	Vitale
2020/0184690	A1	6/2020	Guérin
2020/0204721	A1	6/2020	Douady
2020/0204772	A1	6/2020	Gounelle
2020/0218136	A1	7/2020	Au
2020/0221010	A1	7/2020	Douady
2020/0221219	A1	7/2020	Hardin
2020/0259978	A1	8/2020	Abbas

FOREIGN PATENT DOCUMENTS

CN	1892403	A	1/2007
CN	101078859	A	11/2007
CN	101331815	A	12/2008
CN	102005552	A	4/2011
CN	207083334	U	3/2018
CN	207531231	U	6/2018
EP	0031985220005		2/2018
JP	H05304625	A	11/1993
JP	2001217564	A	8/2001
JP	2003142841	A	5/2003
JP	2007057997	A	3/2007
JP	1595273		1/2018
JP	1595299		1/2018
JP	2018107558	A	7/2018

OTHER PUBLICATIONS

“GoPro Rechargeable Battery”. Found online Mar. 10, 2022 at amazon.co.uk Reference dated Oct. 7, 2016. 4 pages. Retrieved from <https://www.amazon.co.uk/GoPro-Rechargeable-Battery-Official-Accessory-Black/dp/B01MOPV67H/?th=1>. (Year: 2016).

“Newmowa Rechargeable Battery” Found online Mar. 14, 2022 at amazon.co.uk. Reference dated Mar. 26, 2017. 6 pages. Retrieved from <https://www.amazon.co.uk/Newmowa-Rechargeable-AHDBT-302-Replacement-3-Channel/dp/B06XW6R74Z>. (Year: 2017).

“Tectra Battery”. Found online Mar. 10, 2022 at joom.com. Reference dated Jun. 6, 2019. 3 pages. Retrieved from <https://www.joom.com/en/products/5c9356006ecda80101b7f260>. (Year: 2019).

“Telesin Batteries”. Found online Mar. 10, 2022 at amazon.com Reference dated Mar. 29, 2019. 3 pages. Retrieved from <https://www.amazon.com/TELESIN-Replacement-Batteries-Function-Waterproof/dp/B07Q4C1MST>. (Year: 2019).

Alex NLD AHDBT501 TinEye. Tineye.com [published Jan. 13, 2017][online][Accessed Feb. 28, 2017]<Url:<https://tineye.com/>

[search/a068519109ac11d29440a513c6a88863d1-dc6e51/?extension.sub.--ver=chrome-1.1.5](https://tineye.com/search/a068519109ac11d29440a513c6a88863d1-dc6e51/?extension.sub.--ver=chrome-1.1.5)>, 4 pages.

Amazon.com: Ailuki Rechargeable Battery 1490MAH 2 Pack and 3-Channel Charger for GoPro Hero. Published Jun. 22, 2017. Retrieved from the internet at <<https://www.amazon.com/Rechargeable-Battery-3-Channel-Compatible-Original/dp/B0734J76NN/>>, Jan. 19, 2019. 1 page. (Year: 2017).

Amazon.com: GoPro Battery (Fusion) . . . Date First Available of Feb. 1, 2018. Retrieved from the internet at <<https://www.amazon.com/GoPro-Camera-ASBBA-001-Fusion-Battery/dp/B078XY2L42/>>, Sep. 14, 2020. 1 page. (Year: 2018).

Chinese Office Action, Chinese Application No. 201430488714.2, dated Mar. 12, 2015, 3 pages.

Design U.S. Appl. No. 29/631,230, filed Feb. 28, 2017, Huy Phuong Nguyen et al., 82 pages.

Design U.S. Appl. No. 29/663,435, filed Sep. 14, 2018, Au et al., 68 pages.

Design U.S. Appl. No. 29/694,559, filed Jun. 11, 2019, Coster et al., 27 pages.

Design U.S. Appl. No. 29/699,945, filed Jul. 30, 2019, Huy Phuong Nguyen et al., 11 pages.

International Search Report and Written Opinion for App. No. PCT/CN2020/099915, dated Mar. 25, 2021, 10 pages.

International Search Report and Written Opinion for App. No. PCT/US2020/050479 dated Dec. 3, 2020, 6 pages.

International Search Report and Written Opinion for App. No. PCT/US2020/050483 dated Nov. 12, 2020, 9 pages.

Kingma Ebay. Ebay.com. [published Nov. 10, 2016][online][Accessed Feb. 28, 2017]<URL:<http://www.ebay.com/itm/KingMa-AHDBT-501-Li-ion-Battery-1220-mAh-Dual-Charger-For-Gopro-Hero-5-Camera-/272413104511>>, 4 pages.

Office Action for Taiwanese Patent Application No. TW 103304745, dated Jan. 28, 2016, 3 Pages.

PCT International Search Report and Written Opinion for PCT/US2014/058465, dated Dec. 23, 2014, 17 pages.

PCT International Search Report and Written Opinion for PCT/US2014/070655, dated Apr. 29, 2015, 13 Pages.

Shophthewall Tin Eye. Tineye.com[published Feb. 9, 2017][online][Accessed Feb. 27, 2017]. <URL:<https://tineye.com/search/2432380143a2cf364f8dd9e5150bce62a316525-f/?extension.sub.--ver=chrome-1.1.5>>, 4 pages.

United States Office Action for U.S. Appl. No. 14/148,536, filed Jul. 9, 2014, 9 pages.

United States Office Action for U.S. Appl. No. 14/536,683, filed Dec. 18, 2014, 14 Pages.

United States Office Action for U.S. Appl. No. 14/536,683, filed Jun. 9, 2015, 16 pages.

United States Office Action for U.S. Appl. No. 14/536,683, filed Sep. 21, 2015. 15 Pages.

United States Office Action, U.S. Appl. No. 29/576,880, filed Mar. 9, 2017, 13 pages.

Youtube.com: Ailuki Battery Charger for GoPro Hero 5/6/7 at ~9 seconds; published by Jake Wipp on Mar. 15, 2019; retrieved from the internet at <<https://www.youtube.com/watch?v=M13sf6NBkVE>> on Apr. 24, 2019; 1 page.

\* cited by examiner

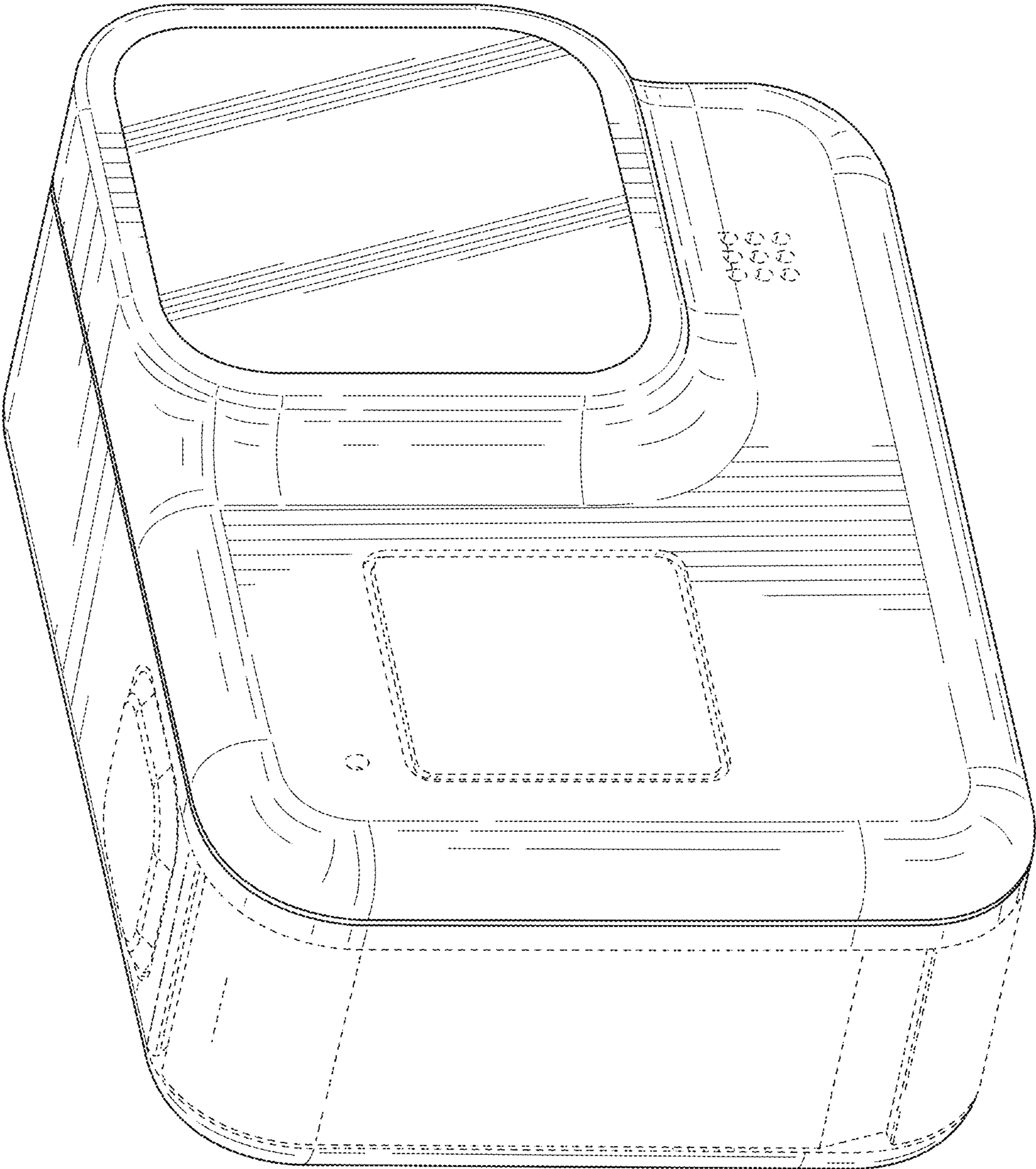


FIG. 1

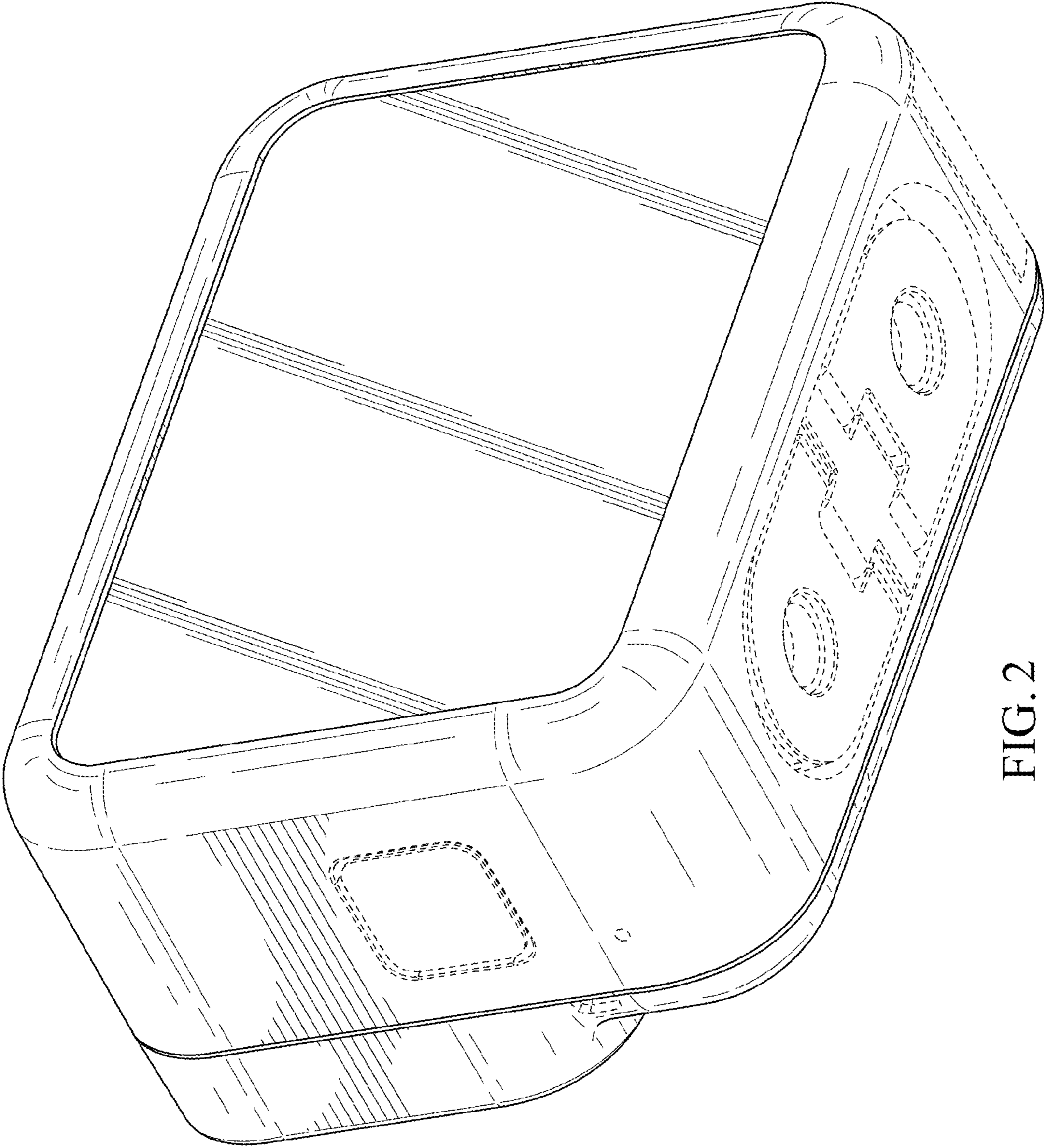


FIG. 2

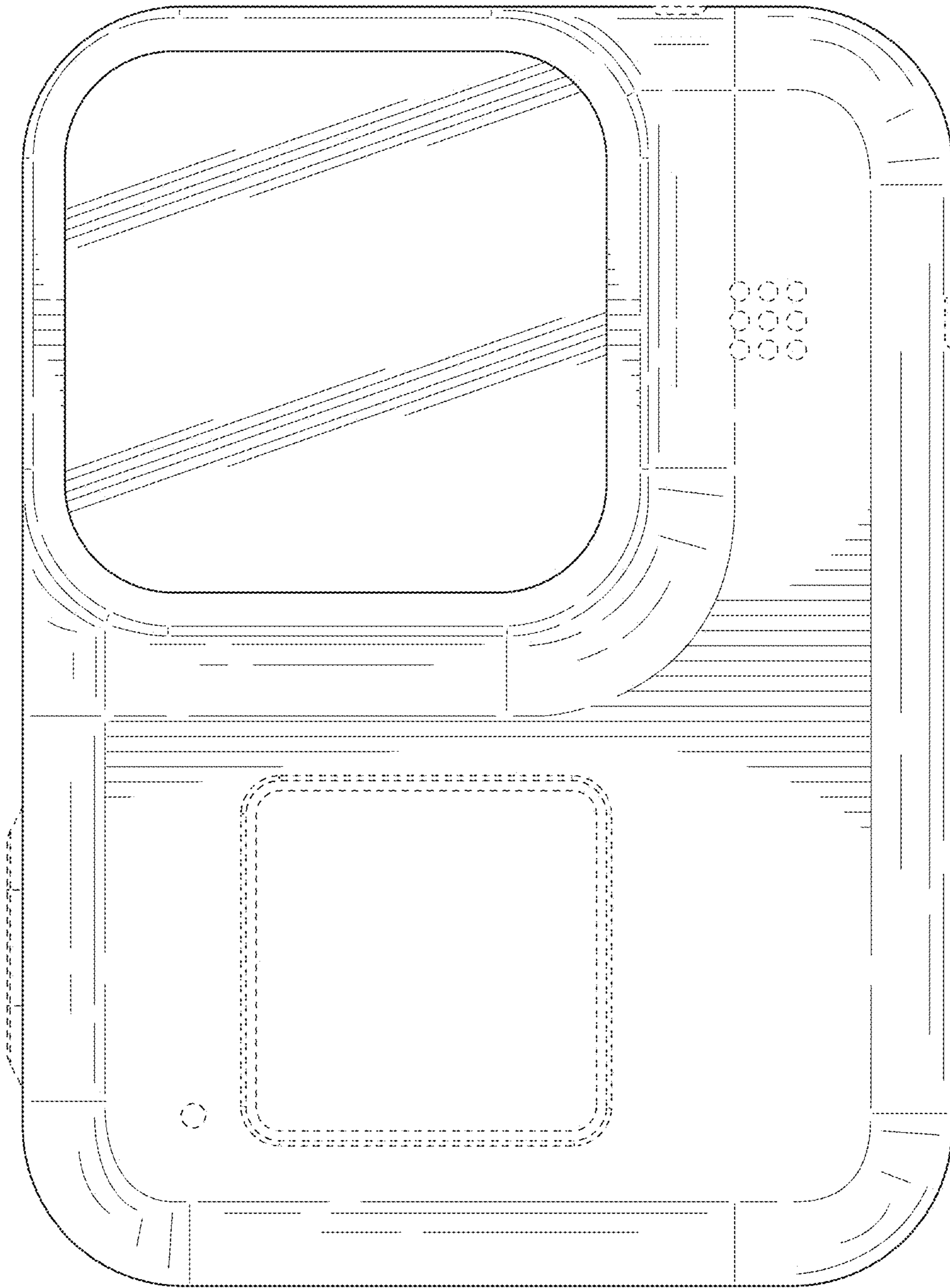


FIG. 3



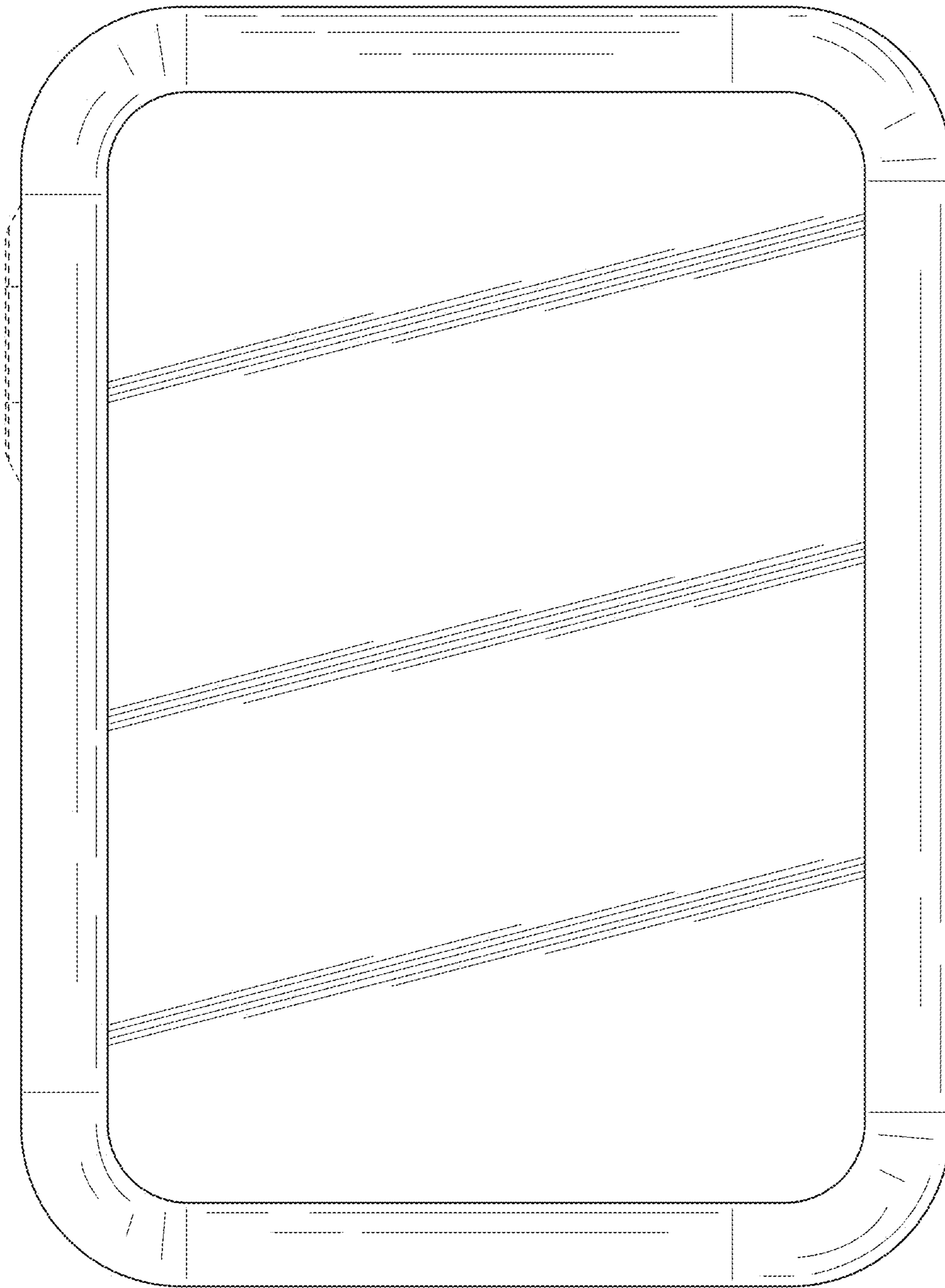


FIG. 4

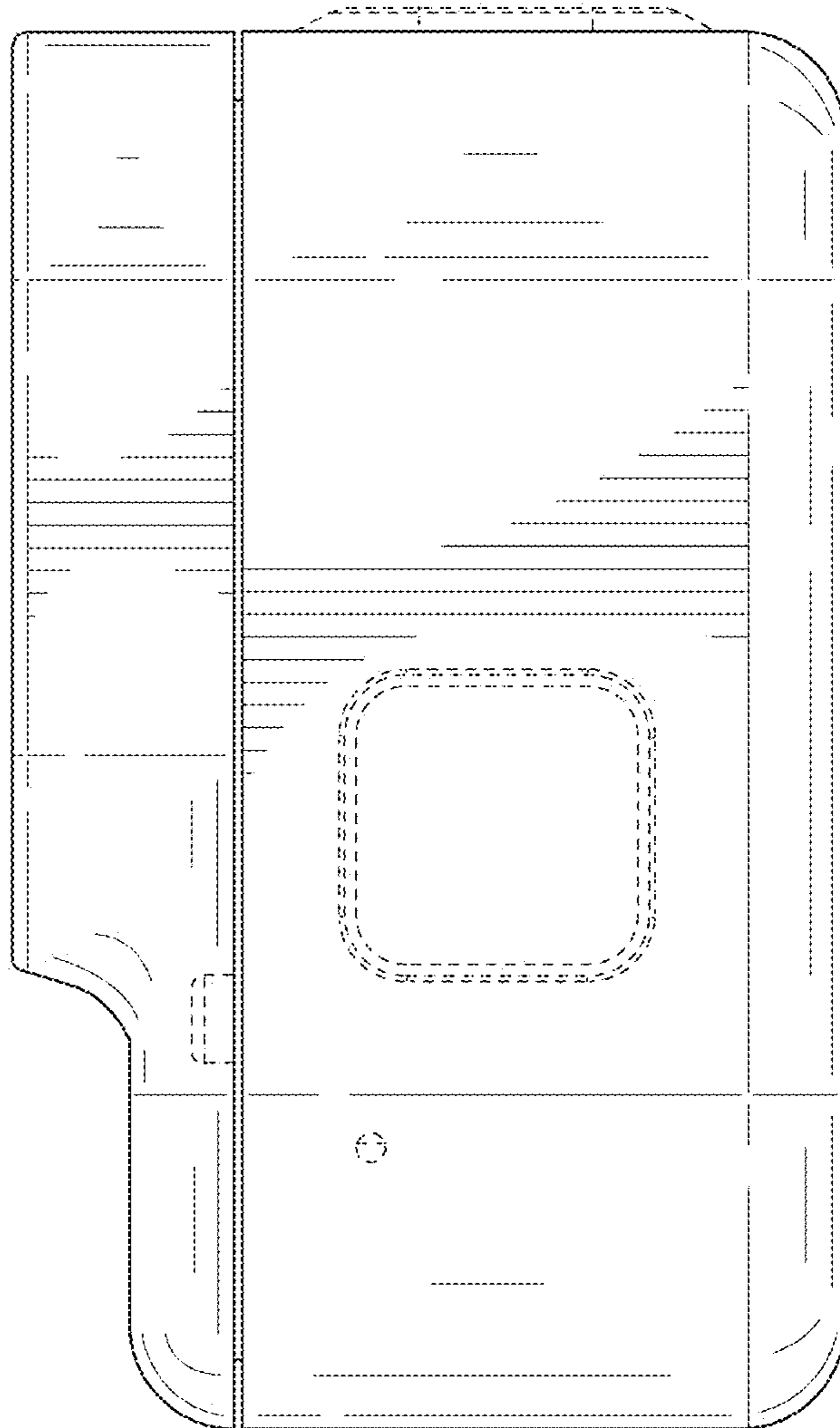


FIG. 5

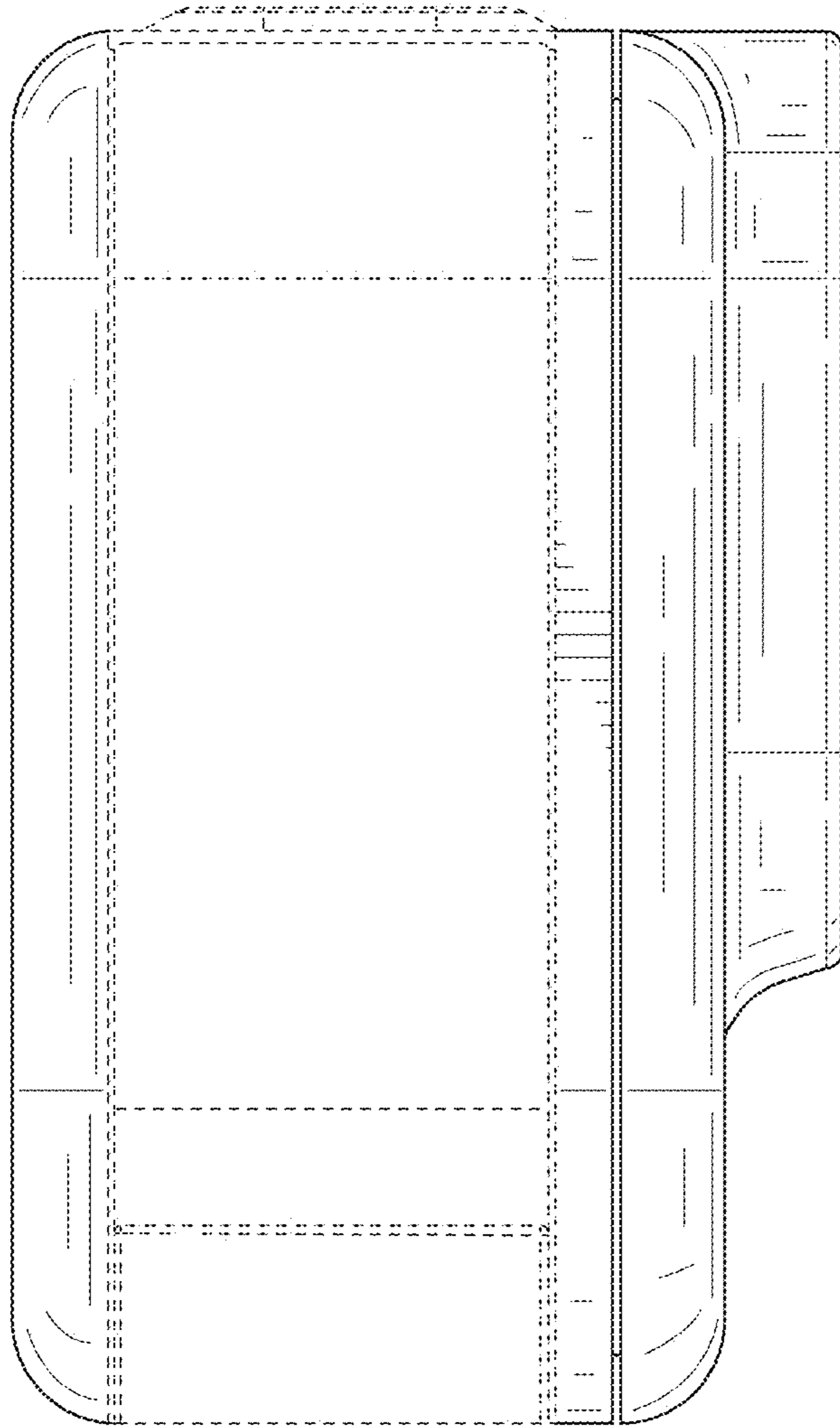


FIG. 6

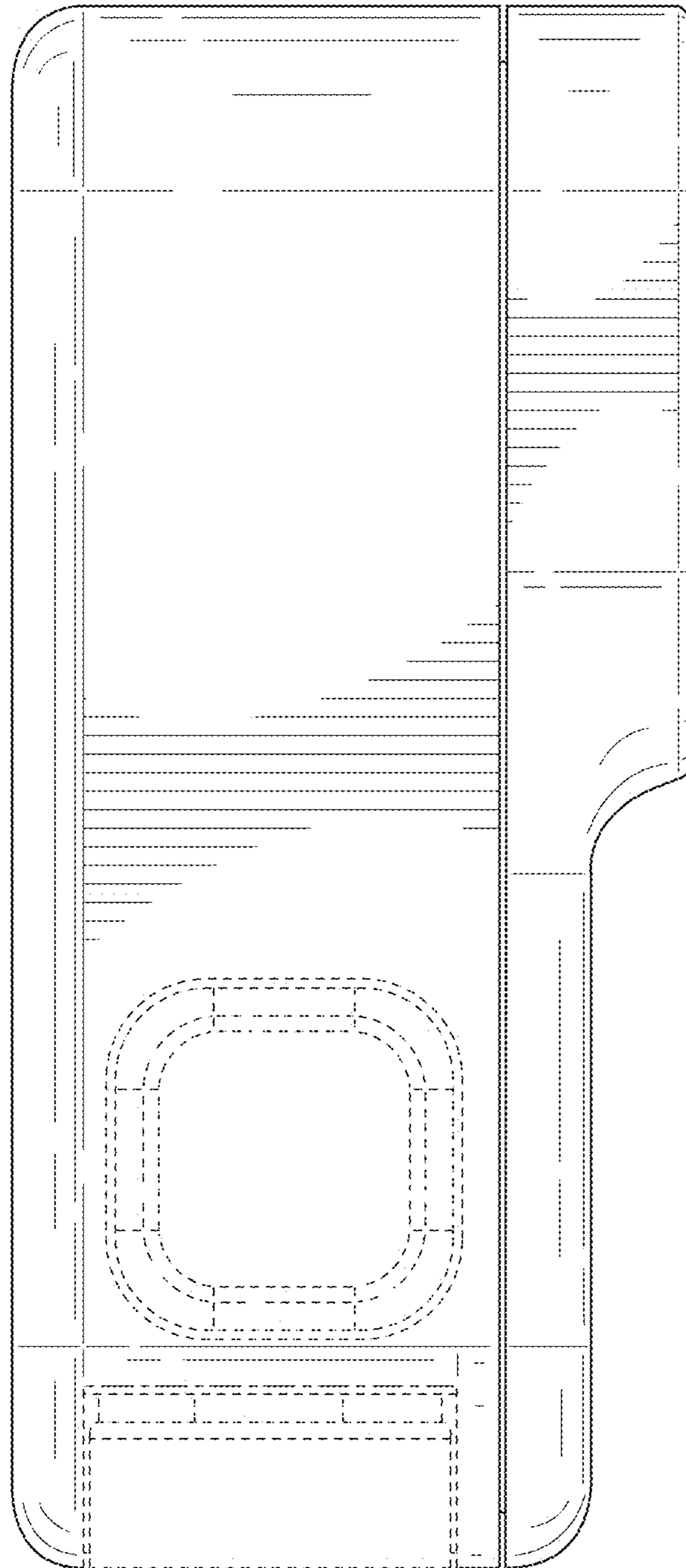


FIG. 7

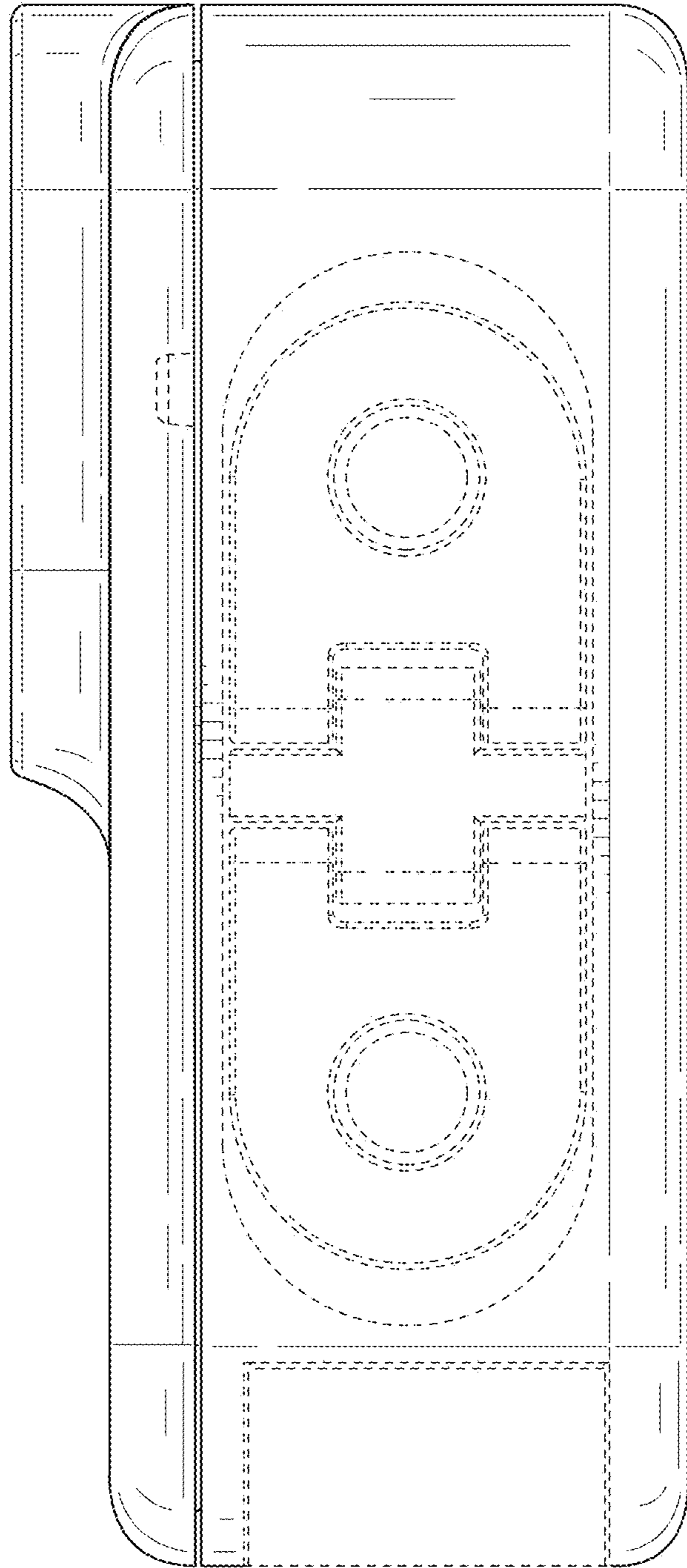


FIG. 8