



US00D988389S

(12) **United States Design Patent**  
**Chen**

(10) **Patent No.:** **US D988,389 S**  
(45) **Date of Patent:** **\*\* Jun. 6, 2023**

- (54) **MONITORING CAMERA**
- (71) Applicant: **Zhanghuang Chen**, Zhuhai (CN)
- (72) Inventor: **Yumei Chen**, Zhuhai (CN)
- (\*\*) Term: **15 Years**
- (21) Appl. No.: **29/863,379**
- (22) Filed: **Dec. 19, 2022**
- (51) **LOC (14) Cl.** ..... **16-01**
- (52) **U.S. Cl.**  
USPC ..... **D16/203**
- (58) **Field of Classification Search**  
USPC ..... D16/200, 202–204, 206–209, 211, 214,  
D16/217–219  
CPC .... G03B 17/00; G03B 17/02; G03B 2217/00;  
H04N 1/00265; G08B 13/19617  
See application file for complete search history.

- D961,650 S \* 8/2022 Kim ..... D16/203
- D962,322 S \* 8/2022 Kim ..... D16/203
- D965,665 S 10/2022 Zhang
- D971,988 S \* 12/2022 Lee ..... D16/203
- 2018/0013934 A1\* 1/2018 Germe ..... H04N 23/51

**OTHER PUBLICATIONS**

“Imou Security Camera,” first available Nov. 22, 2021, retrieved Feb. 9, 2023 from <https://www.amazon.co.jp/-/en/Surveillance-Smartphone-Connection-Notification-Bullet/dp/B08BY1DF3G?th=1> (Year: 2021).\*

\* cited by examiner

*Primary Examiner* — Maria J. Edwards  
*Assistant Examiner* — Dina Michelle Hoeynck

(56) **References Cited**

**U.S. PATENT DOCUMENTS**

- D509,842 S \* 9/2005 Ou ..... D16/202
- D813,289 S \* 3/2018 Laffon de Mazieres .... D16/202
- D831,089 S \* 10/2018 Laffon de Mazieres .... D16/202
- D842,357 S \* 3/2019 Maiwald ..... D16/203
- D843,431 S \* 3/2019 Jacob ..... D16/203
- D845,373 S \* 4/2019 Mittleman ..... D16/202
- D849,092 S 5/2019 Portela et al.
- D864,276 S 10/2019 Hathway et al.
- D879,859 S \* 3/2020 Jacob ..... D16/219
- D892,898 S \* 8/2020 Jacob ..... D16/203
- 10,795,244 B2\* 10/2020 Wilson ..... F16M 13/02
- D910,733 S 2/2021 Lennerstedt et al.
- D924,301 S \* 7/2021 Tseng ..... D16/203
- D942,524 S 2/2022 Xu
- D956,851 S 7/2022 Zhang
- D959,532 S 8/2022 Sjogren et al.
- D959,536 S \* 8/2022 Jacob ..... D16/219

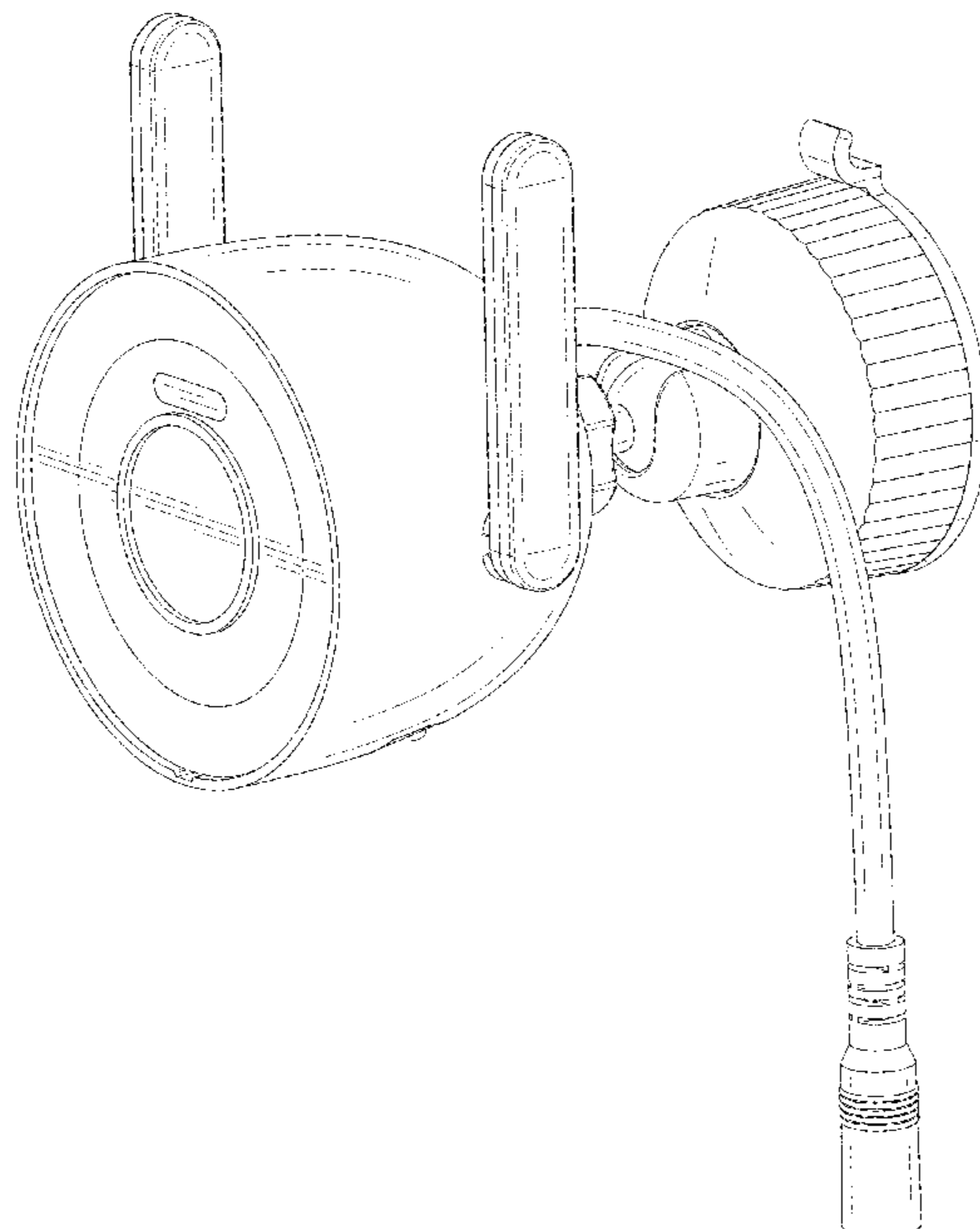
(57) **CLAIM**

The ornamental design for a monitoring camera, as shown and described.

**DESCRIPTION**

FIG. 1 is a front, left, and top perspective view of a monitoring camera, showing my new design; FIG. 2 is a rear, right, and bottom perspective view thereof; FIG. 3 is a front elevational view thereof; FIG. 4 is a rear elevational view thereof; FIG. 5 is a left elevational view thereof; FIG. 6 is a right elevational view thereof; FIG. 7 is a top plan view thereof; and, FIG. 8 is a bottom plan view thereof. The broken lines depict portions of the monitoring camera that form no part of the claimed design.

**1 Claim, 8 Drawing Sheets**



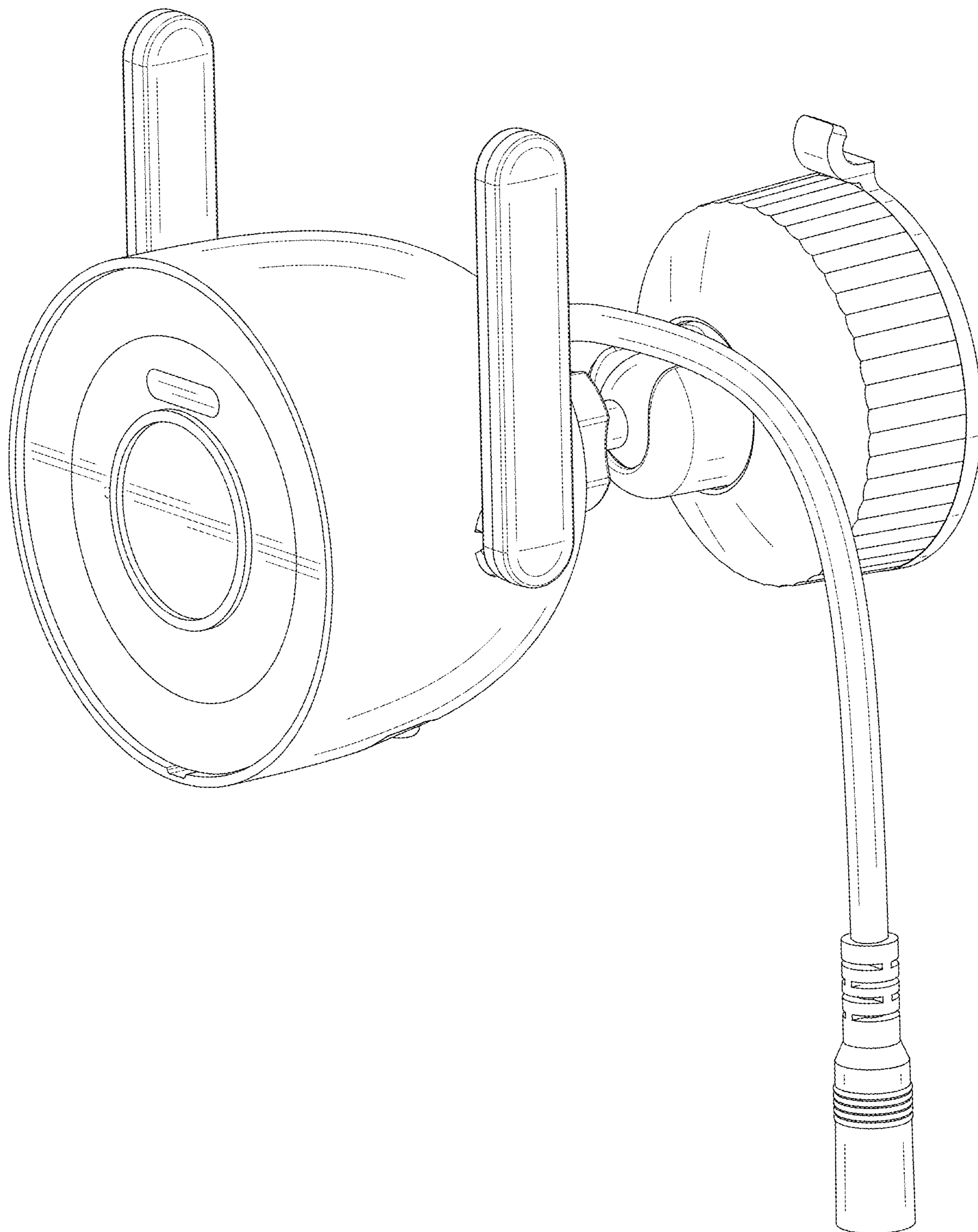


FIG. 1

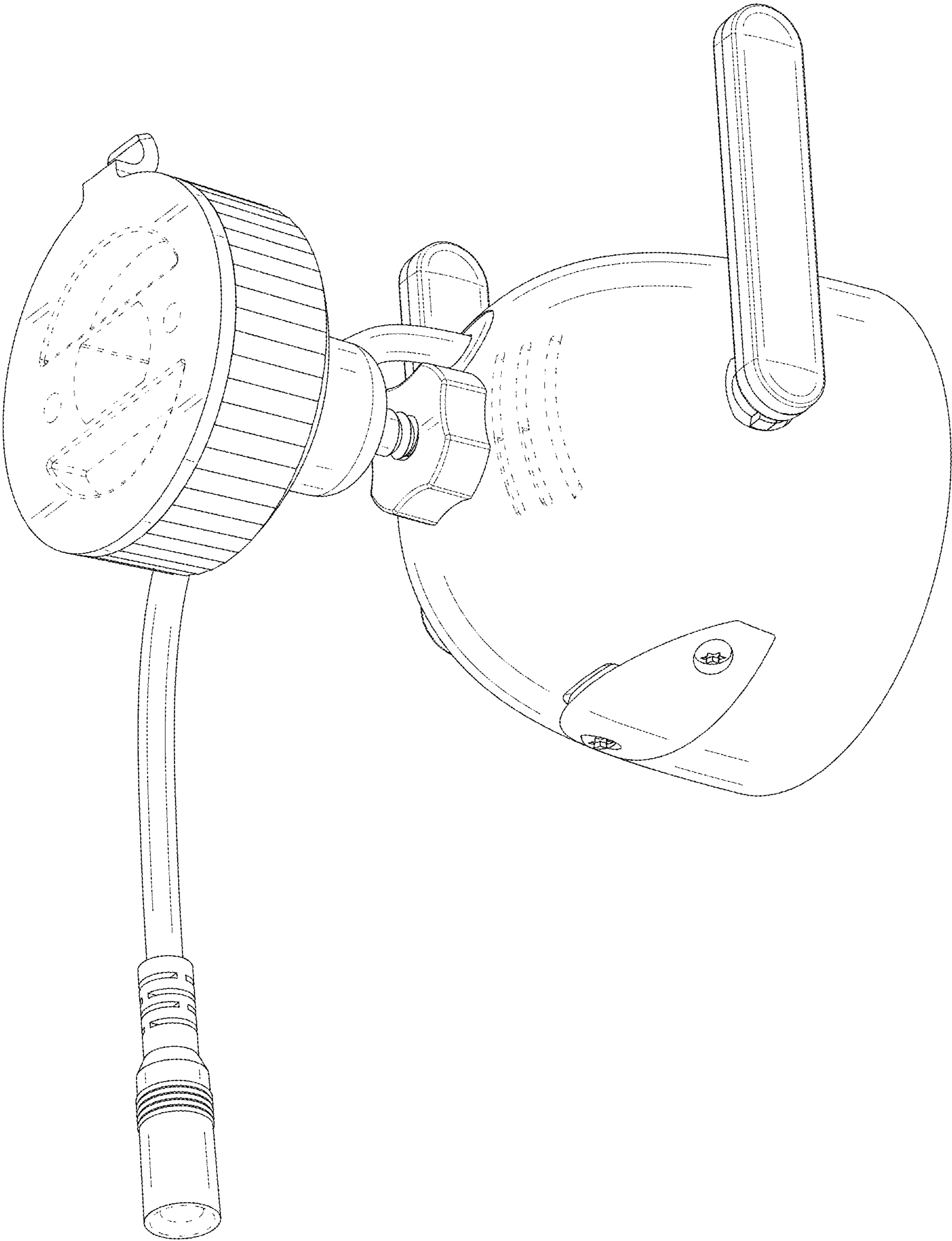


FIG. 2

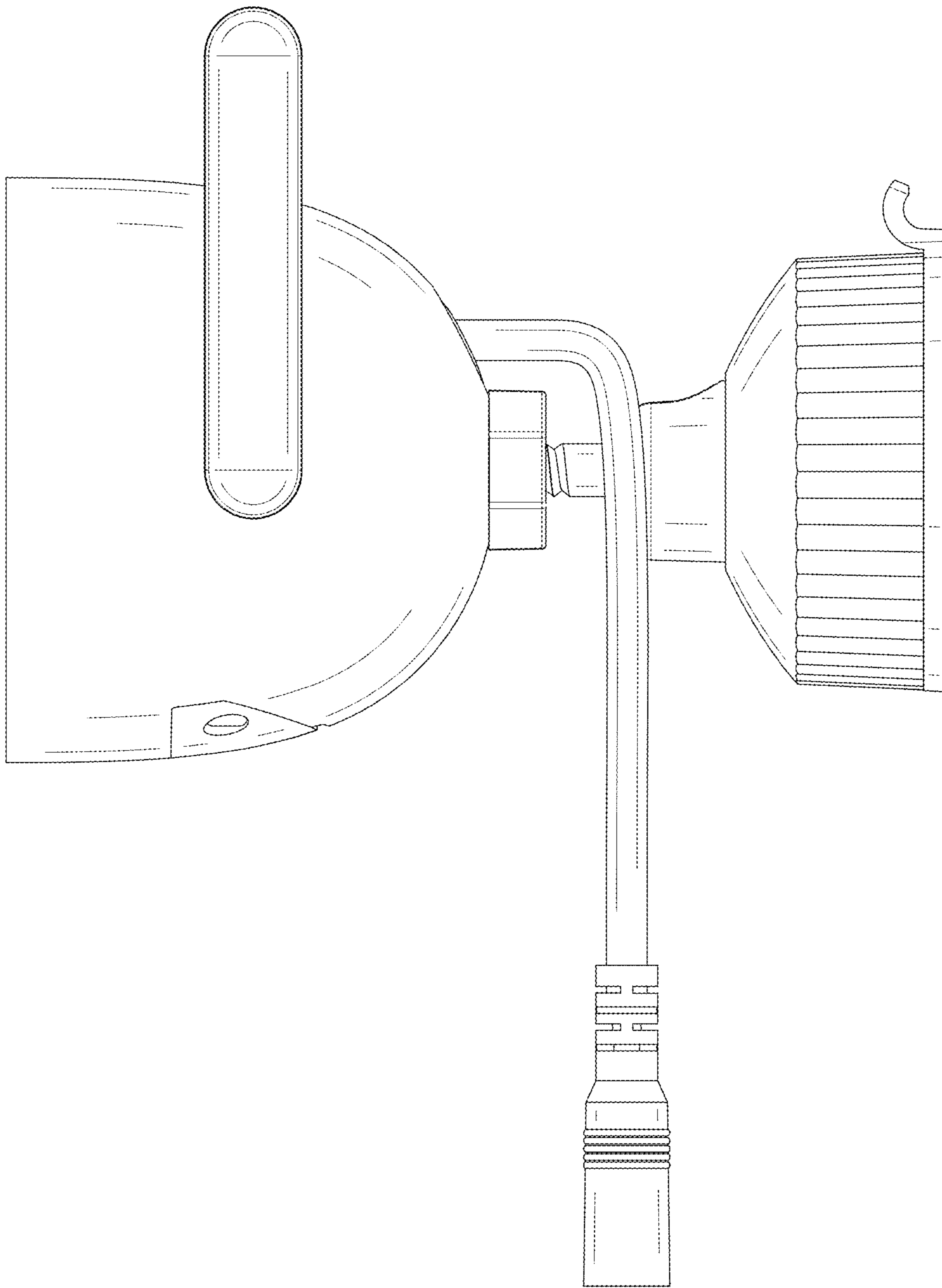


FIG. 3

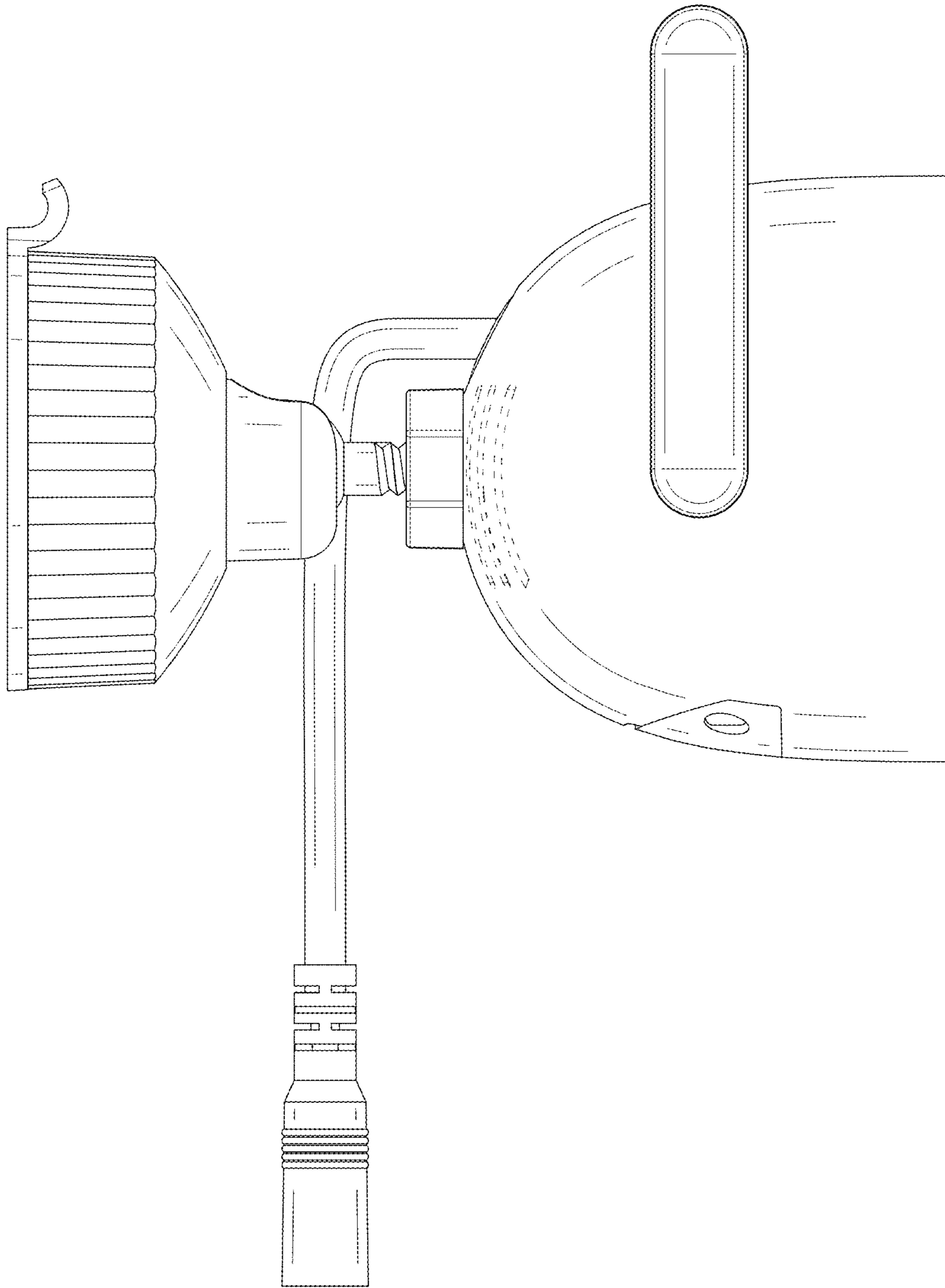


FIG. 4

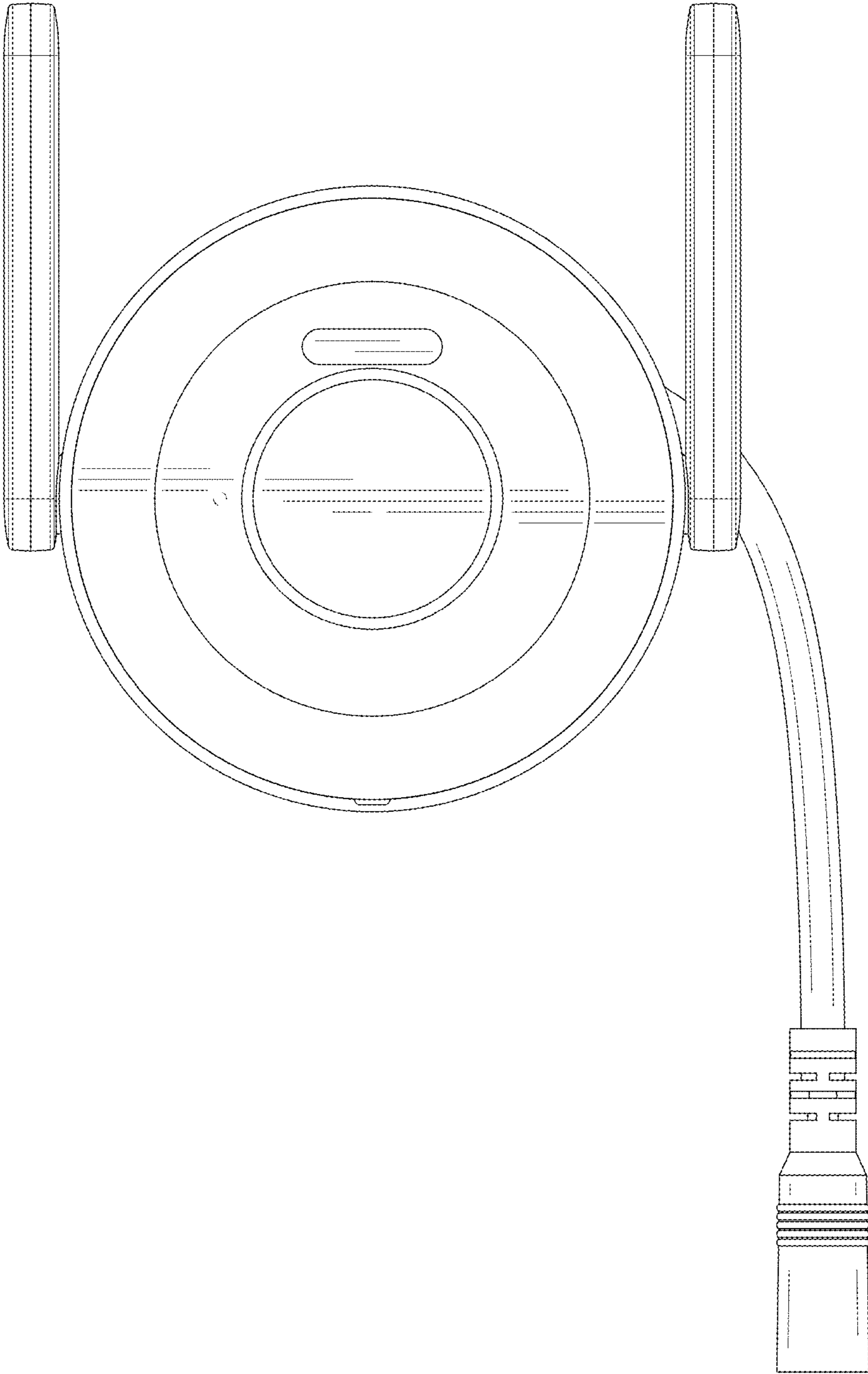


FIG. 5

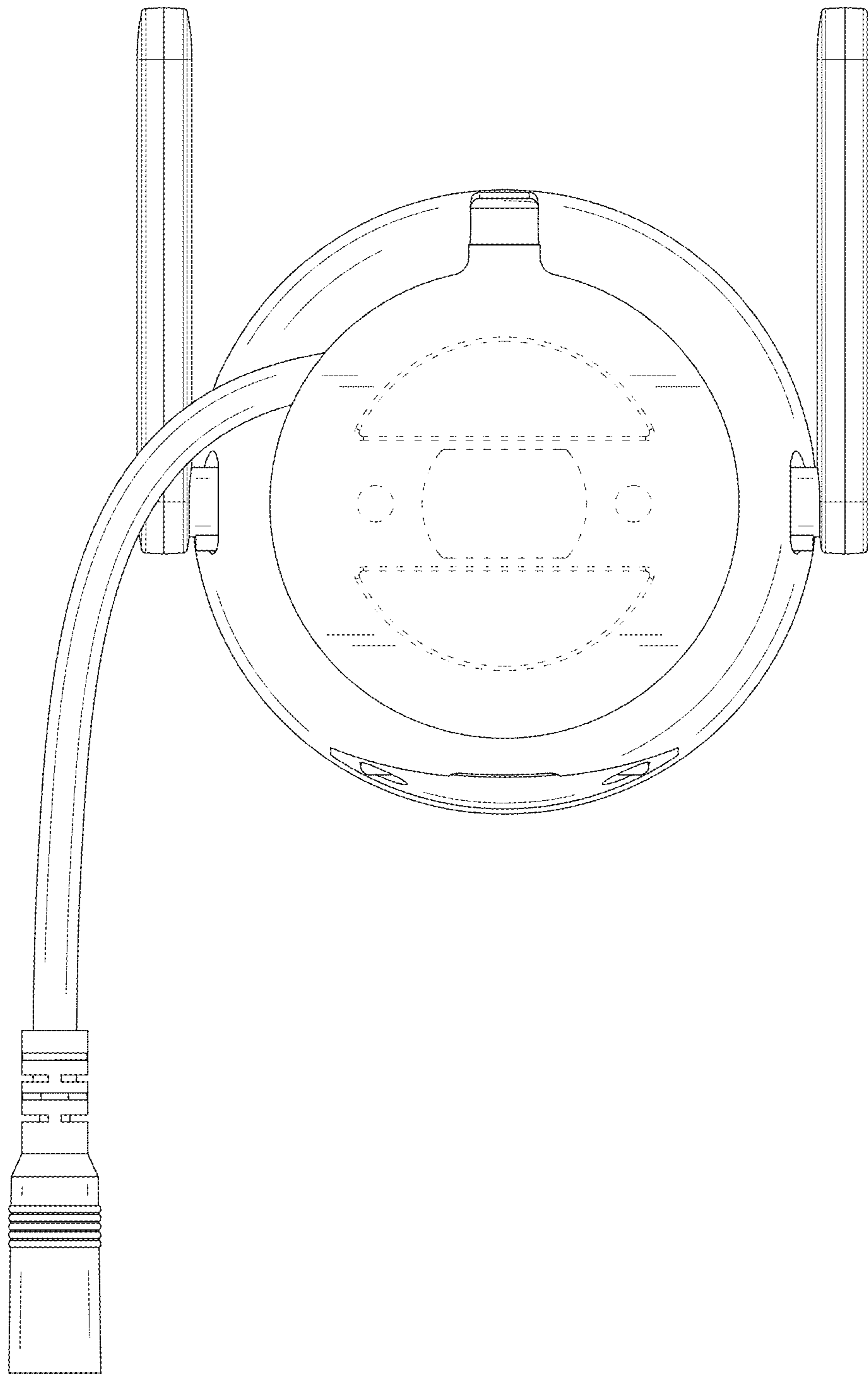


FIG. 6

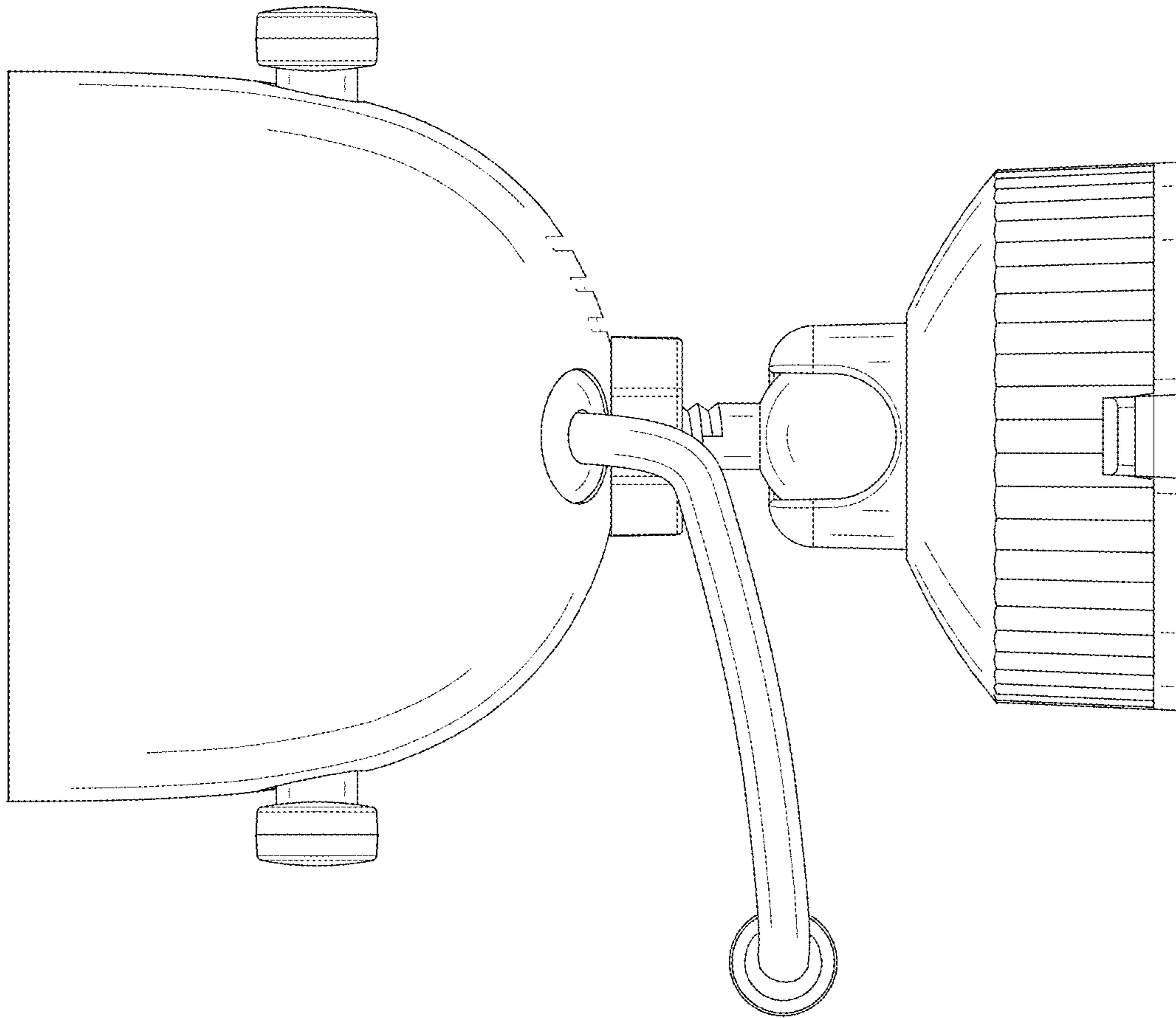


FIG. 7



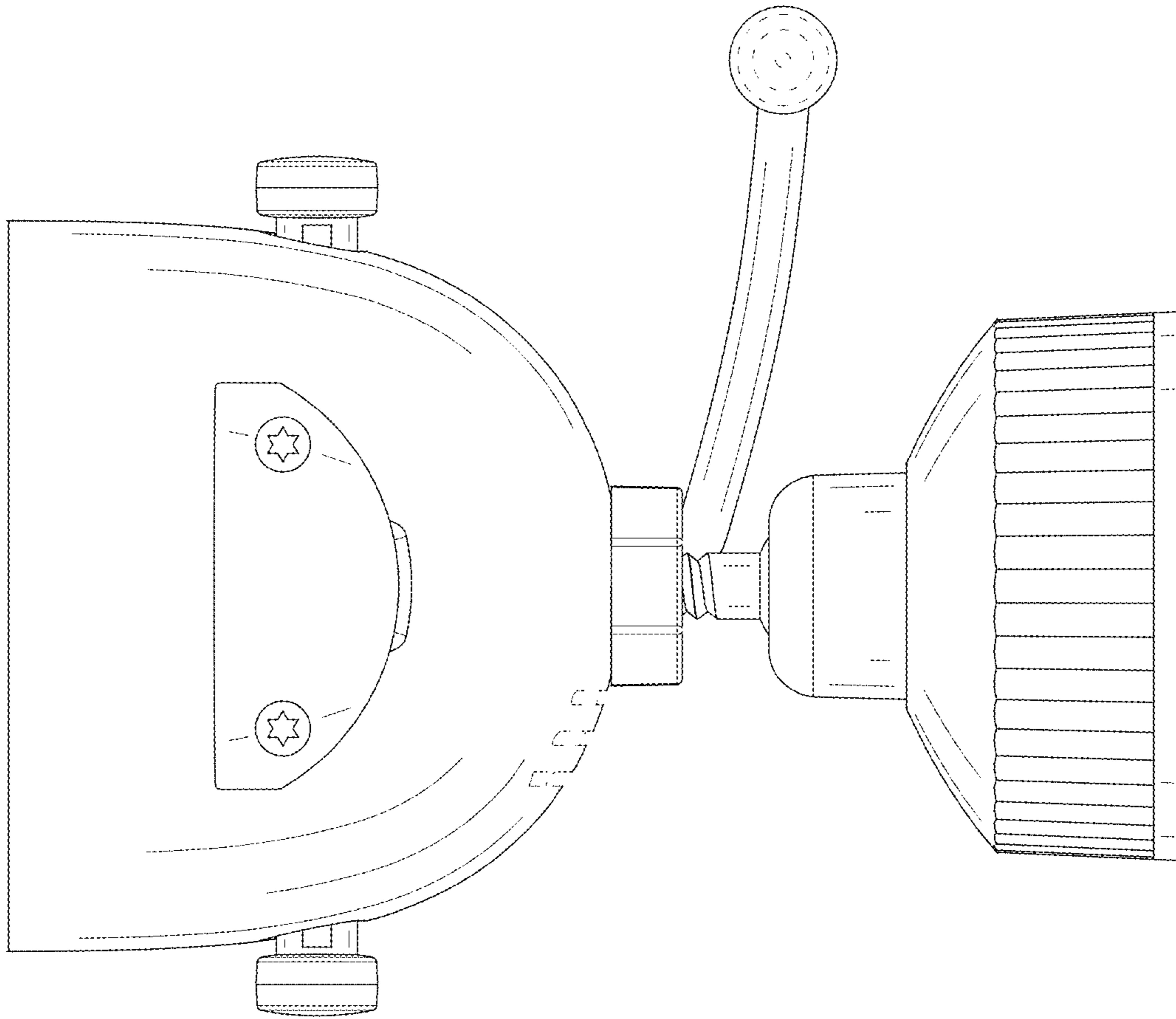


FIG. 8