



US00D988388S

(12) **United States Design Patent**
Feng et al.

(10) **Patent No.:** **US D988,388 S**

(45) **Date of Patent:** **** Jun. 6, 2023**

(54) **CAR DASH CAMERA**

(71) Applicant: **Hangzhou Zhifei Electronic
Commerce Co., Ltd.**, Hangzhou (CN)

(72) Inventors: **Shaohui Feng**, Foshan (CN); **Yongtao
Huang**, Shenzhen (CN)

(73) Assignee: **Hangzhou Zhifei Electronic
Commerce Co., Ltd.**, Hangzhou (CN)

(**) Term: **15 Years**

(21) Appl. No.: **29/871,746**

(22) Filed: **Feb. 27, 2023**

(51) **LOC (14) Cl.** **16-01**

(52) **U.S. Cl.**
USPC **D16/202**

(58) **Field of Classification Search**
USPC D16/200–203, 208, 217–218; D10/46,
D10/61, 62, 70, 104.1, 106.6, 109.1,
D10/109.2; D14/125, 203.1, 204, 317,
D14/474, 496

CPC G03B 17/02; G03B 21/10; G03B 2217/00;
H04N 23/50; H04N 5/23216

See application file for complete search history.

(56) **References Cited**

U.S. PATENT DOCUMENTS

D473,207 S *	4/2003	Tanio	D16/208
D609,688 S *	2/2010	Obata	D14/167
D747,386 S *	1/2016	Li	D16/208
D755,874 S *	5/2016	Yang	D16/202
D756,436 S *	5/2016	Ku	D16/218
D766,351 S *	9/2016	Li	D16/202
D772,966 S *	11/2016	Song	D16/200
D808,455 S *	1/2018	Lee	D16/202
D816,144 S *	4/2018	Vigren	D16/203
D825,636 S *	8/2018	Hueber	D16/202
D856,392 S *	8/2019	Luo	D16/202
D857,076 S *	8/2019	Gan	D16/202

D860,290 S *	9/2019	Lee	D16/208
D875,803 S *	2/2020	Yuan	D16/202
D881,254 S *	4/2020	Guo	D16/202
D884,053 S *	5/2020	Lee	D16/208

(Continued)

FOREIGN PATENT DOCUMENTS

EM	004066389-0001	*	10/2017
GB	6203315	*	4/2022

OTHER PUBLICATIONS

“Toguard 4K Dash Cam with WiFi GPS, Front and Inside Dual Car Dash Camera, IR Night Vision Interior Car Camera, Car Driving Recorder with 3.2” screen, Parking Monitoring, Loop Recording, G-sensor” from Newegg.com, first retrieved Aug. 6, 2022 from the internet <<https://www.newegg.com/p/0PD-00RV-00005>> (Year: 2022).*

(Continued)

Primary Examiner — Elizabeth J Oswecki
Assistant Examiner — Lacey Chey Bowman
(74) *Attorney, Agent, or Firm* — Nitin Kaushik

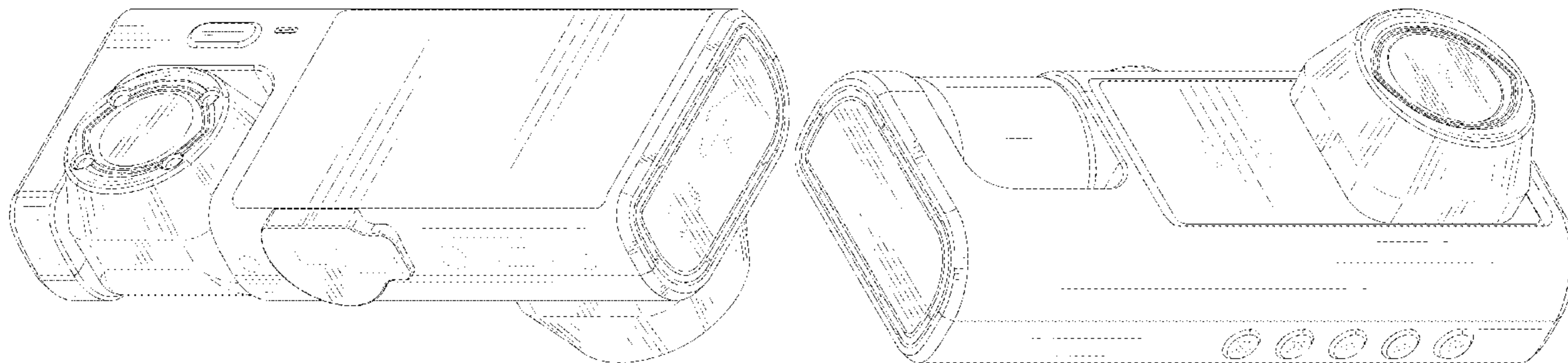
(57) **CLAIM**

The ornamental design for a car dash camera, as shown and described.

DESCRIPTION

FIG. 1 is a front perspective view of a car dash camera, showing our new design;
FIG. 2 is a rear perspective view thereof;
FIG. 3 is a front view thereof;
FIG. 4 is a rear view thereof;
FIG. 5 is a left side view thereof;
FIG. 6 is a right side view thereof;
FIG. 7 is a top view thereof; and,
FIG. 8 is a bottom view thereof.
The broken lines in the drawings illustrate the portions of the car dash camera, which form no part of the claimed design.

1 Claim, 8 Drawing Sheets



(56)

References Cited

U.S. PATENT DOCUMENTS

D884,054 S * 5/2020 Mihara D16/208
D888,801 S * 6/2020 Hsu D16/208
D892,901 S * 8/2020 Xu D16/218
D919,691 S * 5/2021 Yang D16/208
D952,482 S * 5/2022 Wang D10/70
2005/0158039 A1* 7/2005 Han H04N 5/2252
348/E5.026
2006/0088314 A1* 4/2006 Matsushita G03B 17/02
396/529
2010/0194931 A1* 8/2010 Kawaguchi H04N 5/23222
348/240.99
2017/0195550 A1* 7/2017 Kim H04N 5/23216

OTHER PUBLICATIONS

“Dual Dash Cam Front and Inside 1080P Dash Camera for Cars IR Night Vision Car Camera for Taxi Accident Lock Parking Monitor 2 Mounting Options” from Amazon.com, first available Sep. 17, 2021 from the internet <<https://www.amazon.com/Inside-Camera-Accident-Parking-Monitor/dp/B09GK8DXF1/>> (Year: 2021).*

* cited by examiner

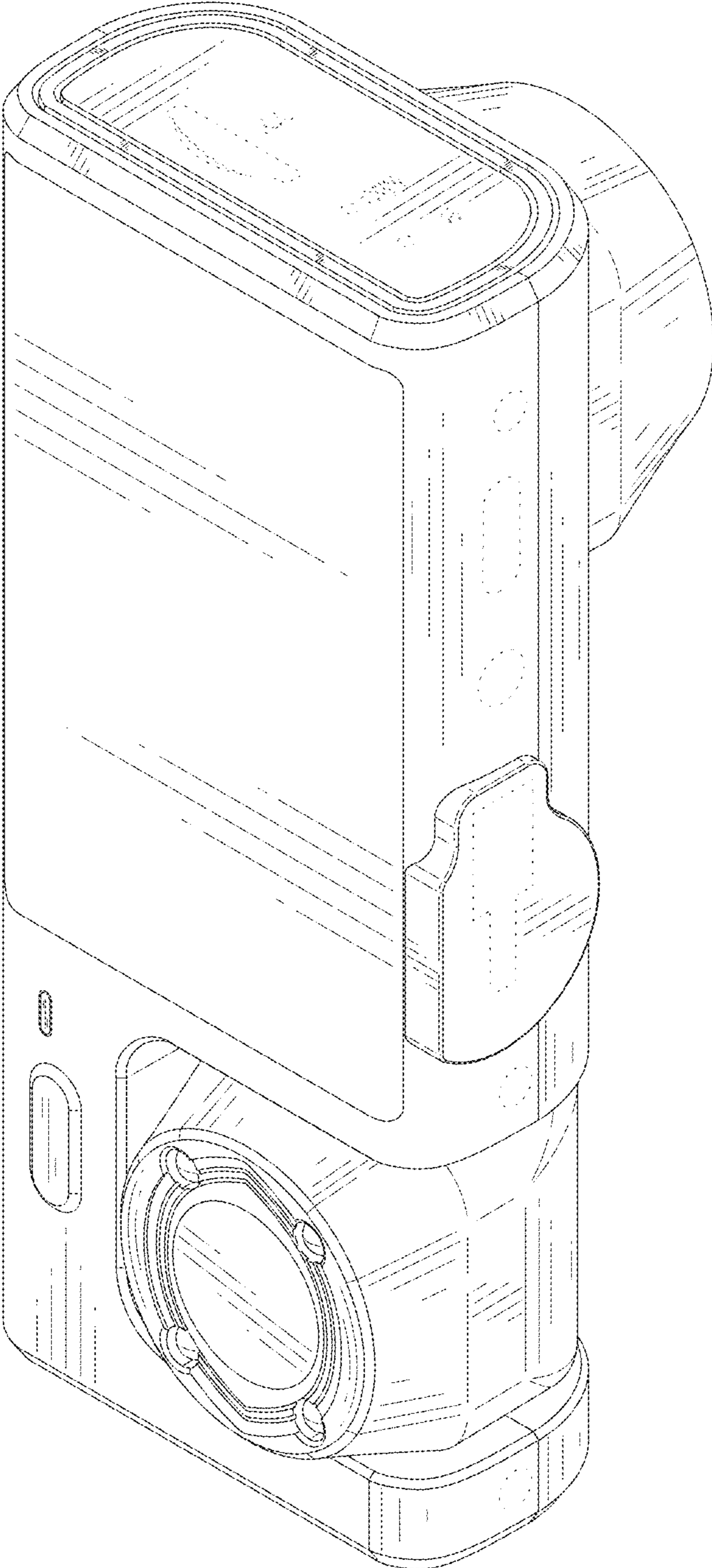


FIG. 1

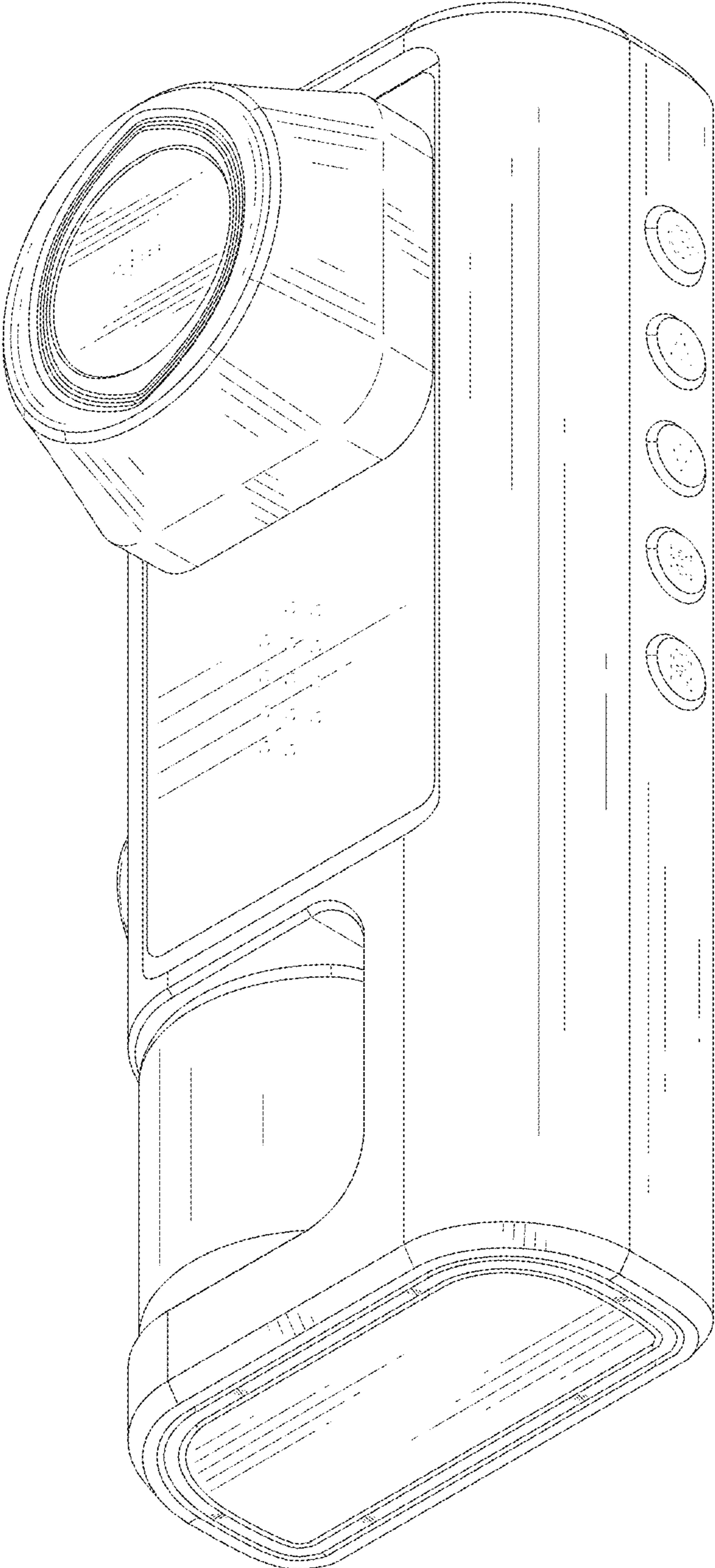


FIG. 2

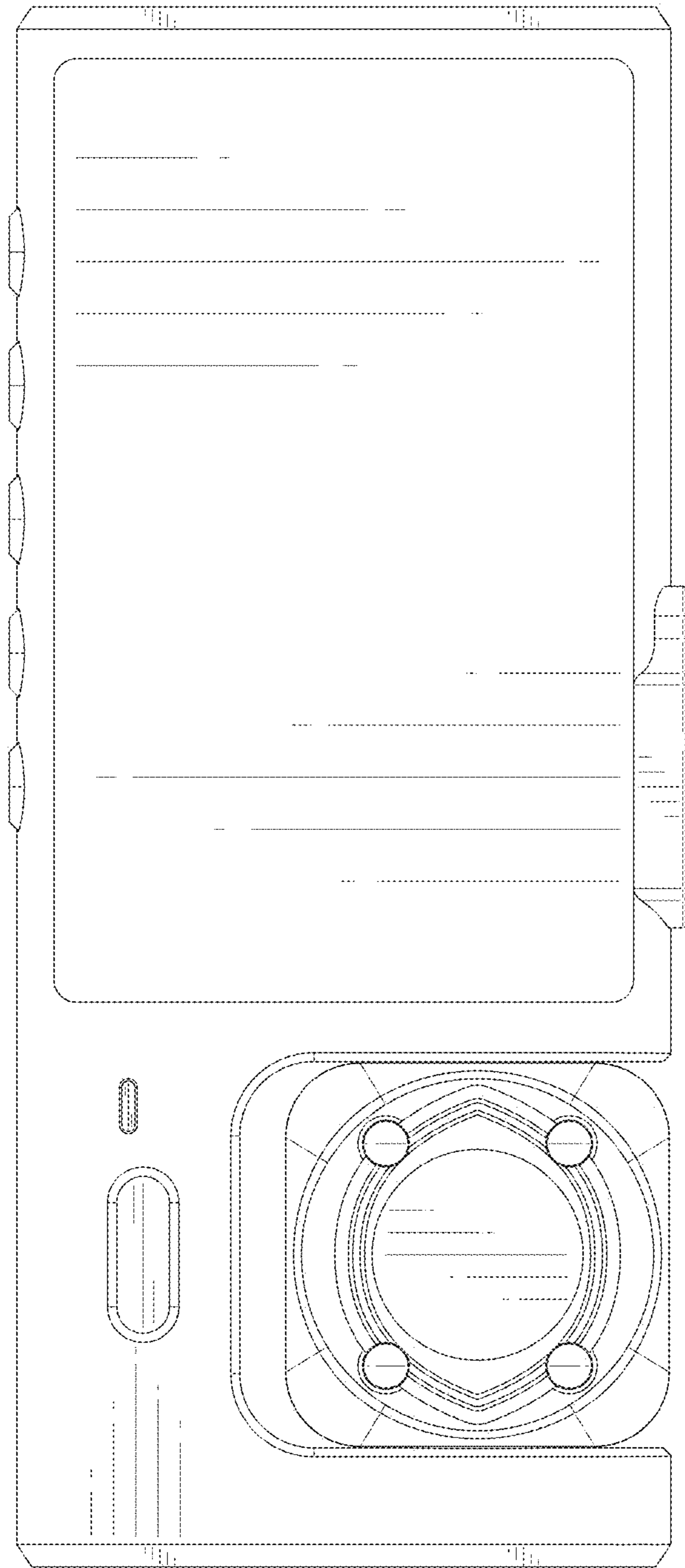


FIG. 3

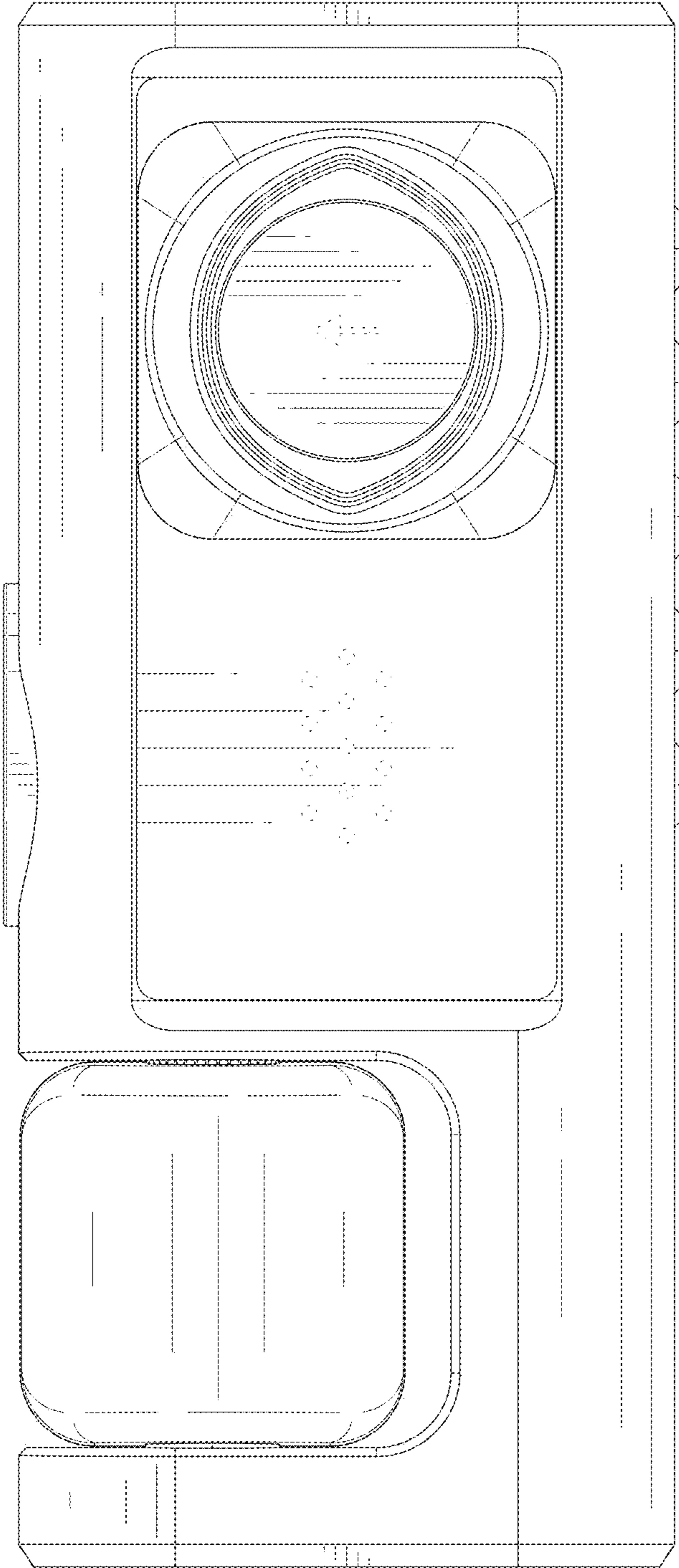


FIG. 4

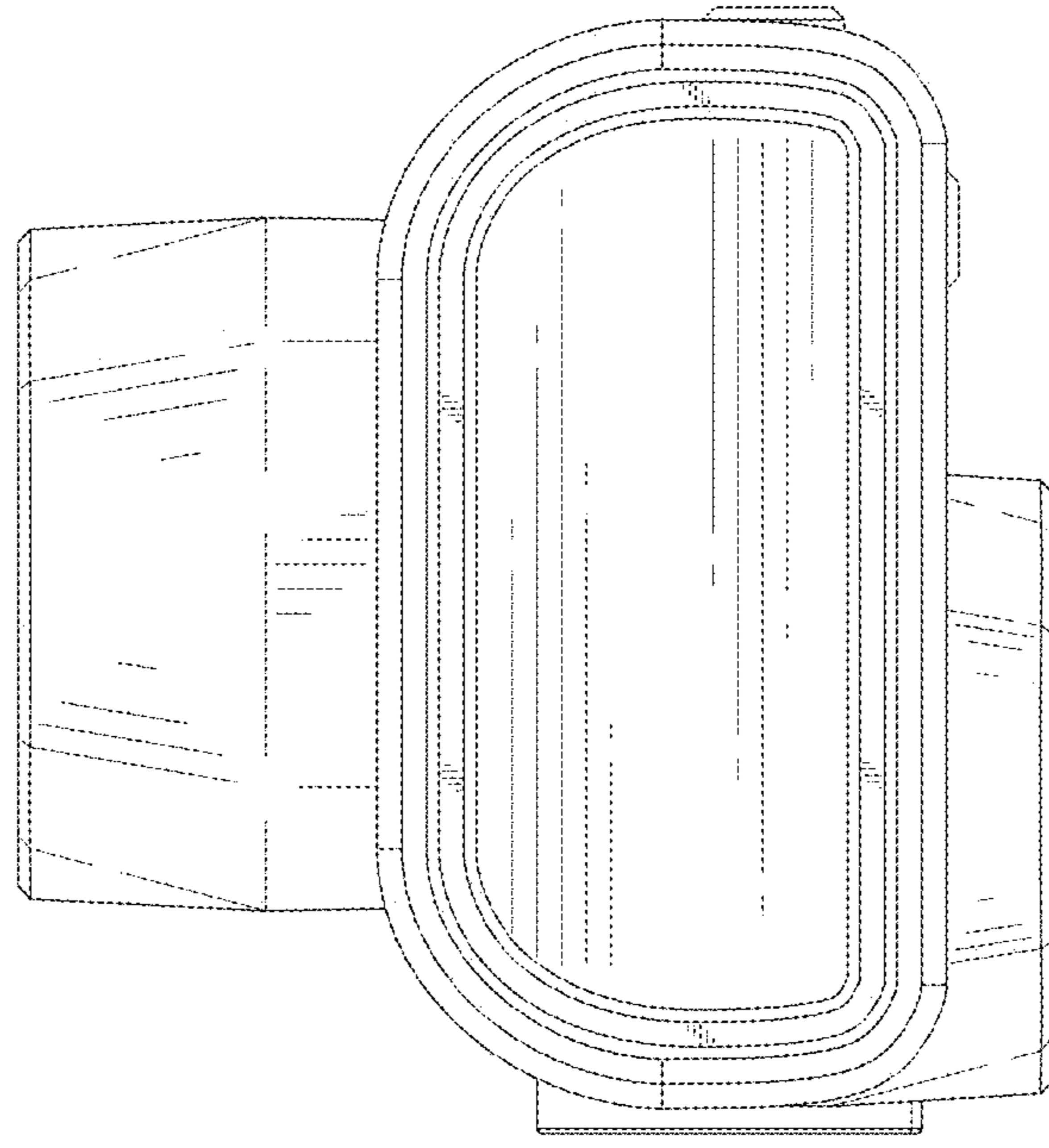


FIG. 5

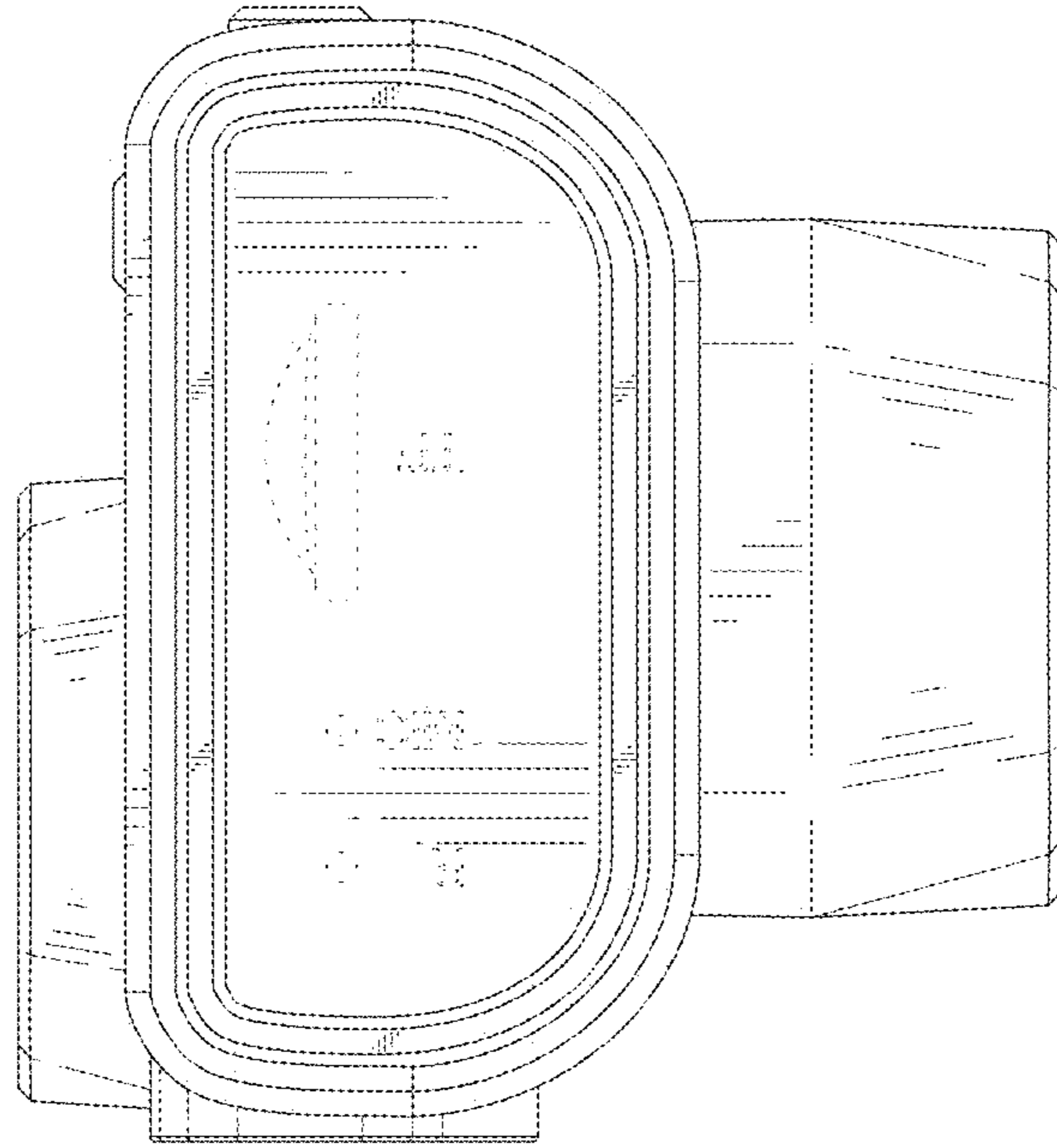


FIG. 6

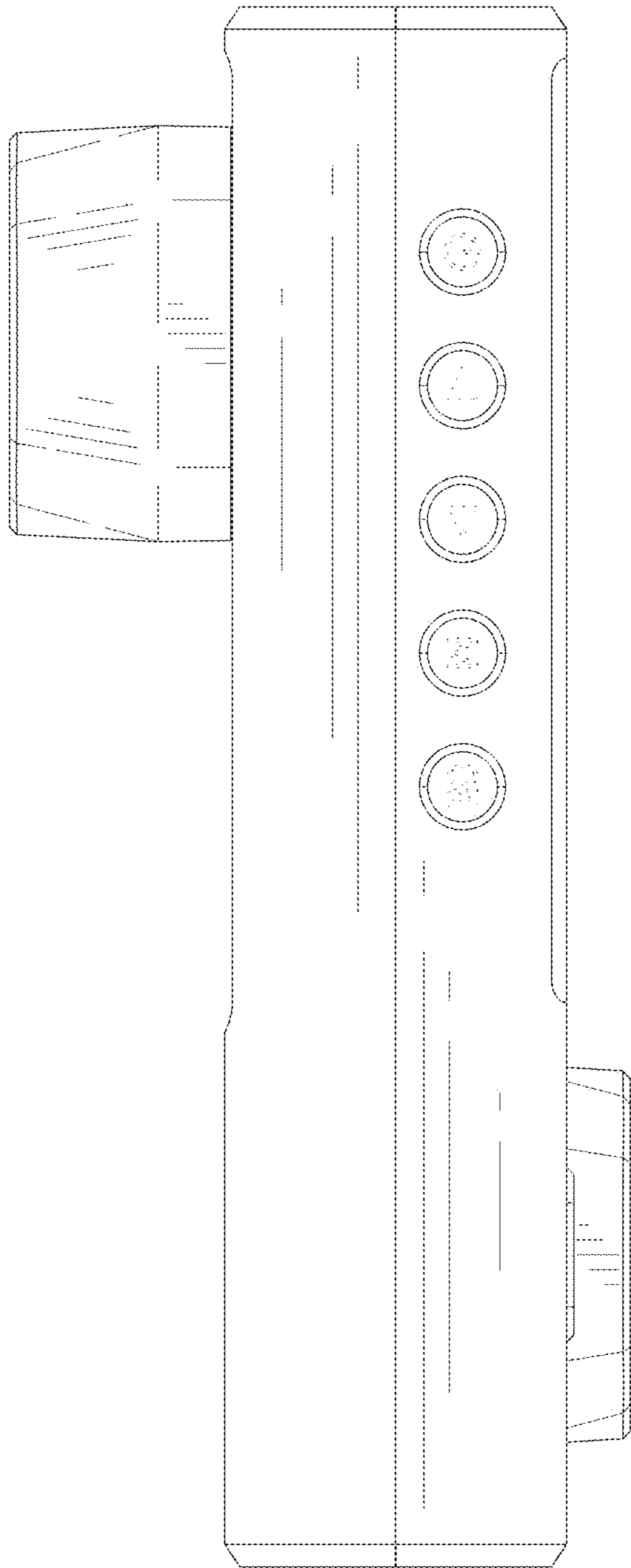


FIG. 7

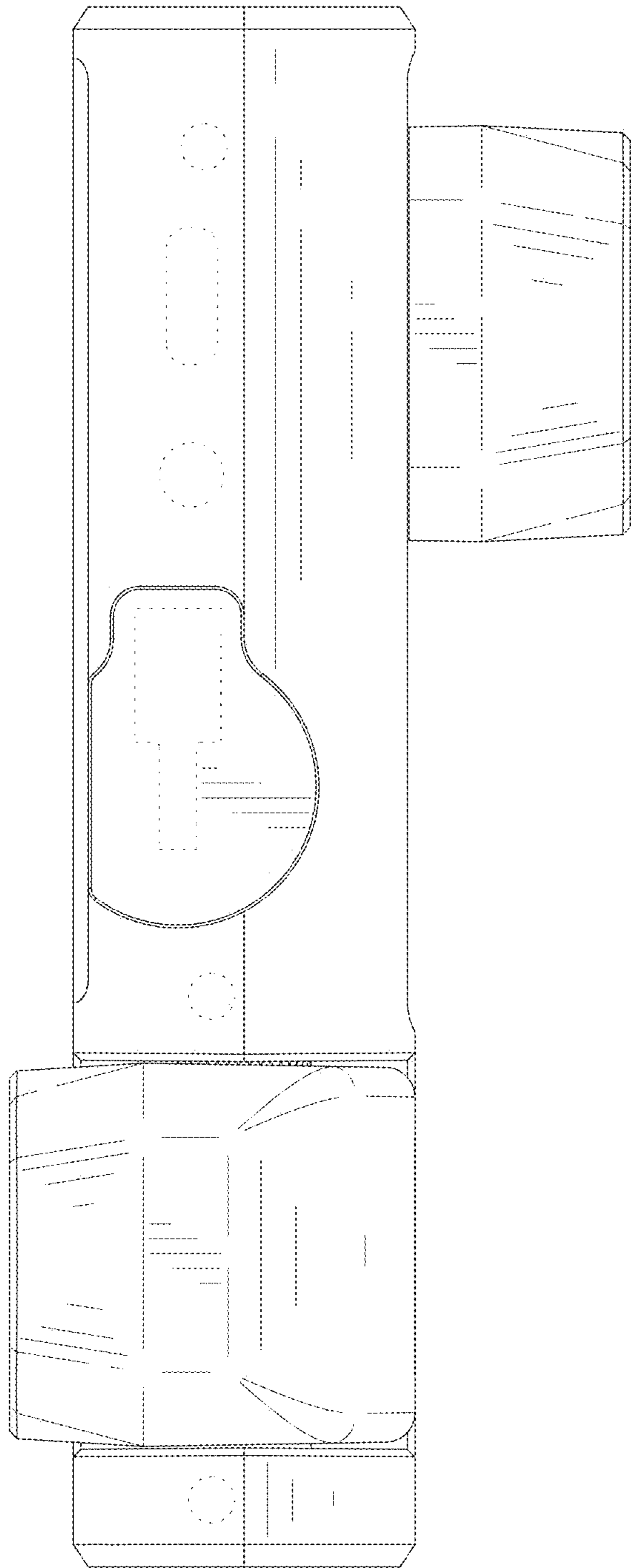


FIG. 8