



US00D988387S

(12) **United States Design Patent**
Lee

(10) **Patent No.:** **US D988,387 S**
(45) **Date of Patent:** **** Jun. 6, 2023**

(54) **CAR VIDEO RECORDER**

- (71) Applicant: **THINKWARE CORPORATION**,
Seongnam-si (KR)
- (72) Inventor: **Yong Lee**, Seongnam-si (KR)
- (73) Assignee: **Thinkware Corporation**, Seongnam-si
(KR)
- (**) Term: **15 Years**
- (21) Appl. No.: **29/725,686**
- (22) Filed: **Feb. 26, 2020**

(30) **Foreign Application Priority Data**

Aug. 27, 2019 (KR) 30-2019-0040867

(51) **LOC (14) Cl.** **16-01**

(52) **U.S. Cl.**
USPC **D16/202**

(58) **Field of Classification Search**
USPC D16/200–203, 214, 208; D10/46, 61, 62,
D10/65, 70, 104.1, 106.6, 109.1;
D14/203.1, 204, 203.8, 209.1, 317, 474,
D14/496

CPC G03B 17/02; G03B 21/10; G03B 2217/00;
H04N 5/2251; H04N 5/2252; H04N
5/2253; H04N 5/2254; H04N 5/23216;
H04N 5/232939; F16M 13/00

See application file for complete search history.

(56) **References Cited**

U.S. PATENT DOCUMENTS

| | | | | | |
|------------|---|---------|--------|-------|---------|
| D552,141 S | * | 10/2007 | Kaplan | | D16/202 |
| D860,290 S | * | 9/2019 | Lee | | D16/208 |
| D881,254 S | * | 4/2020 | Guo | | D16/202 |
| D884,053 S | * | 5/2020 | Lee | | D16/208 |
| D943,019 S | * | 2/2022 | Lee | | D16/242 |

FOREIGN PATENT DOCUMENTS

| | | | |
|----|----------|---|--------|
| CA | 168869 | * | 3/2017 |
| JP | D1660054 | * | 5/2020 |

OTHER PUBLICATIONS

“Dash Cam 4K WiFi Ultra HD 2160P Car Dash Cam Front, Dash Camera for Cars Dashboard Camera Recorder with Night Vision, WDR, Loop Recording, 170° Wide Angle, G-Sensor, 24H Parking Monitor” from Amazon.com, first available Oct. 6, 2021 from the internet <<https://www.amazon.com/dp/B09HTQCZM4/>> (Year: 2021).*
“Thinkware F790 Dual Channel Dash Cam with Full HD 1080p, Front and Rear Cam, Dual Band WiFi, Built-in GPS, Parking Mode, Night Vision, Thinkware Plugin Mount and Ambarella Quad-Core CPU” from Amazon.com, first available Feb. 7, 2022 from the internet <<https://www.amazon.com/Thinkware-Channel-Parking-Ambarella-Quad-Core/dp/B09P21P5FN/>> (Year: 2022).*

* cited by examiner

Primary Examiner — Elizabeth J Oswecki

Assistant Examiner — Lacey Chey Bowman

(74) *Attorney, Agent, or Firm* — Saliwanchik, Lloyd & Eisenschenk

(57) **CLAIM**

The ornamental design for a car video recorder, as shown and described.

DESCRIPTION

FIG. 1 is a perspective view of a car video recorder showing my new design;

FIG. 2 is a front view thereof;

FIG. 3 is a rear view thereof;

FIG. 4 is a left side view thereof;

FIG. 5 is a right side view thereof;

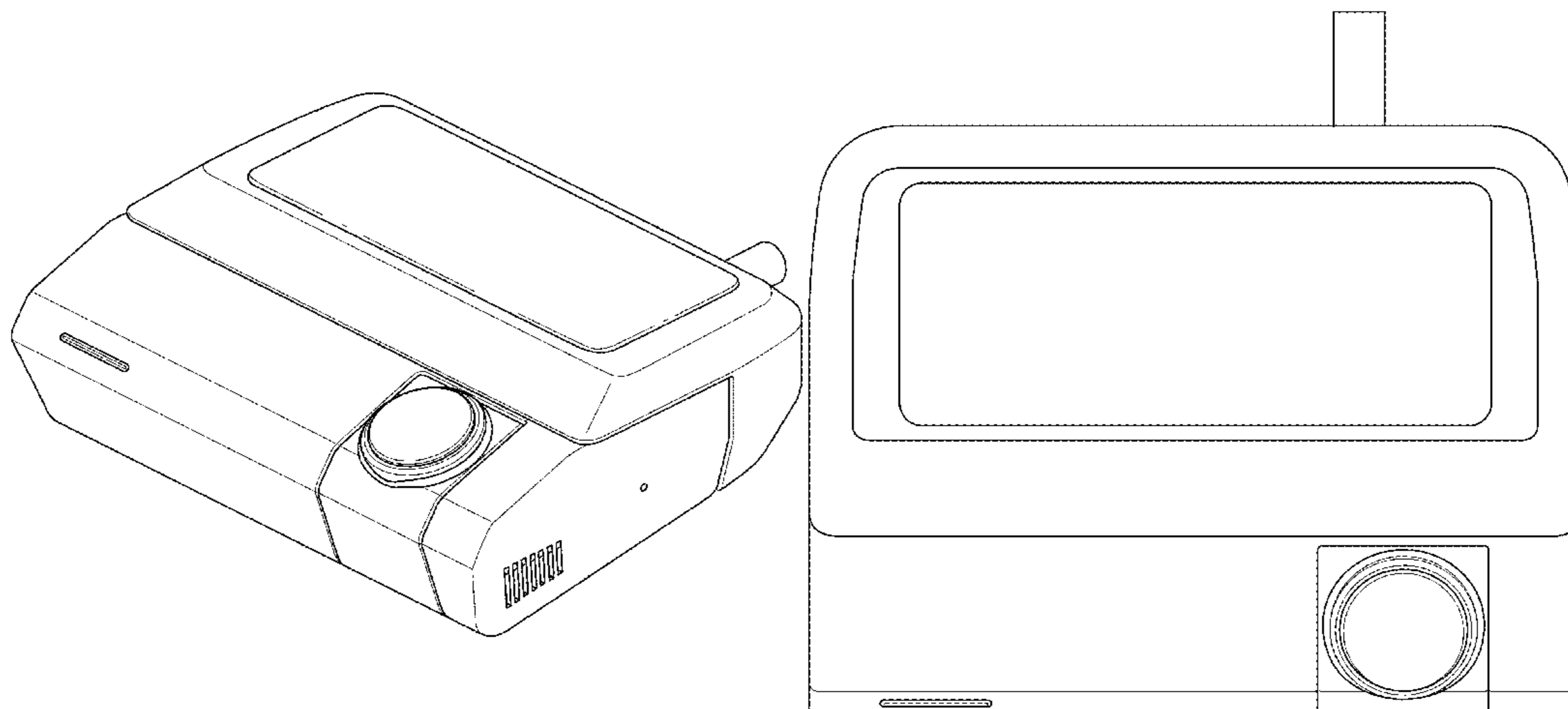
FIG. 6 is a top view thereof;

FIG. 7 is a bottom view thereof; and,

FIG. 8 is an alternative perspective view showing rotation of the lens of the video recorder.

The broken lines depict portions of the car video recorder that form no part of the claimed design.

1 Claim, 8 Drawing Sheets



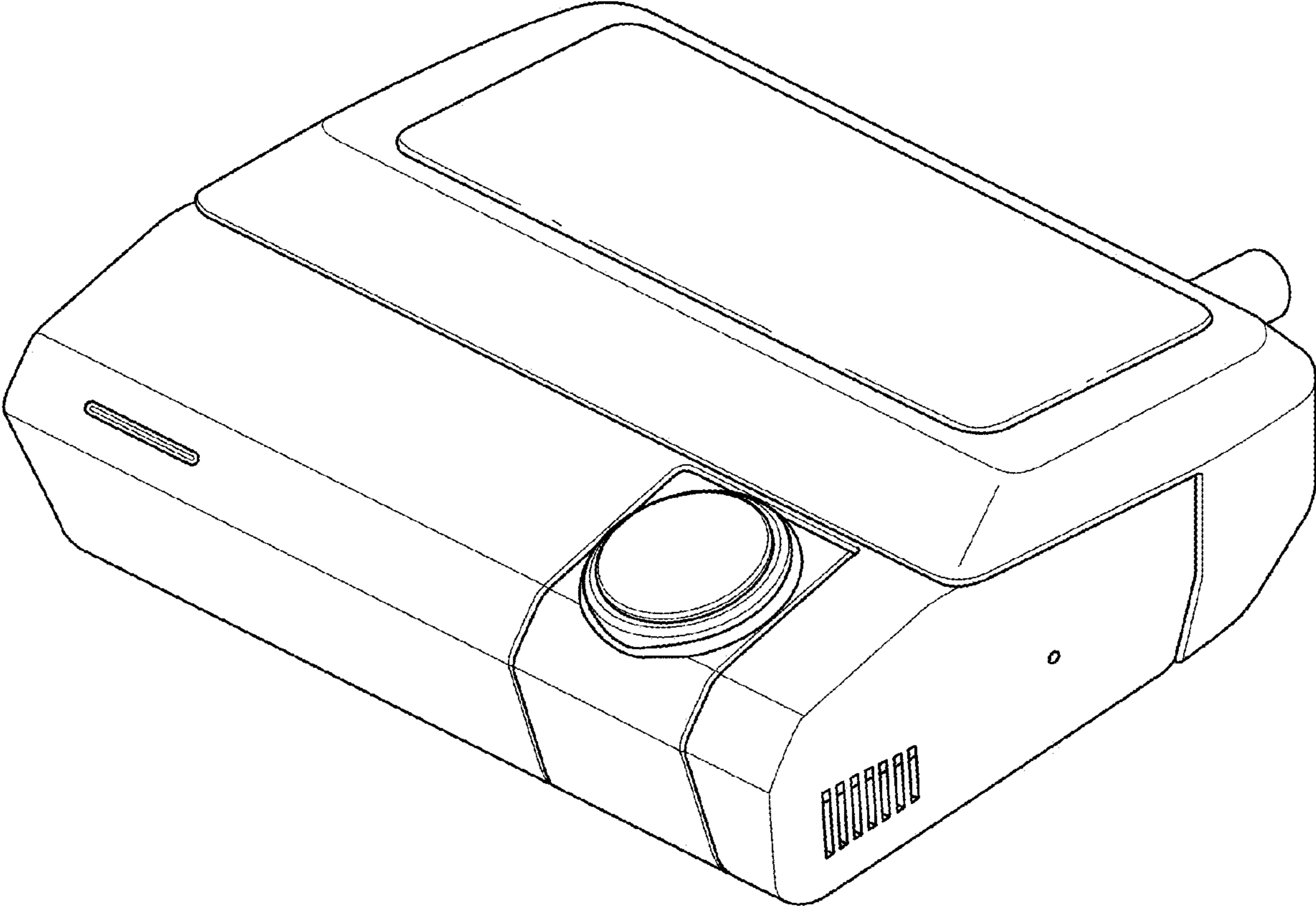


FIG. 1

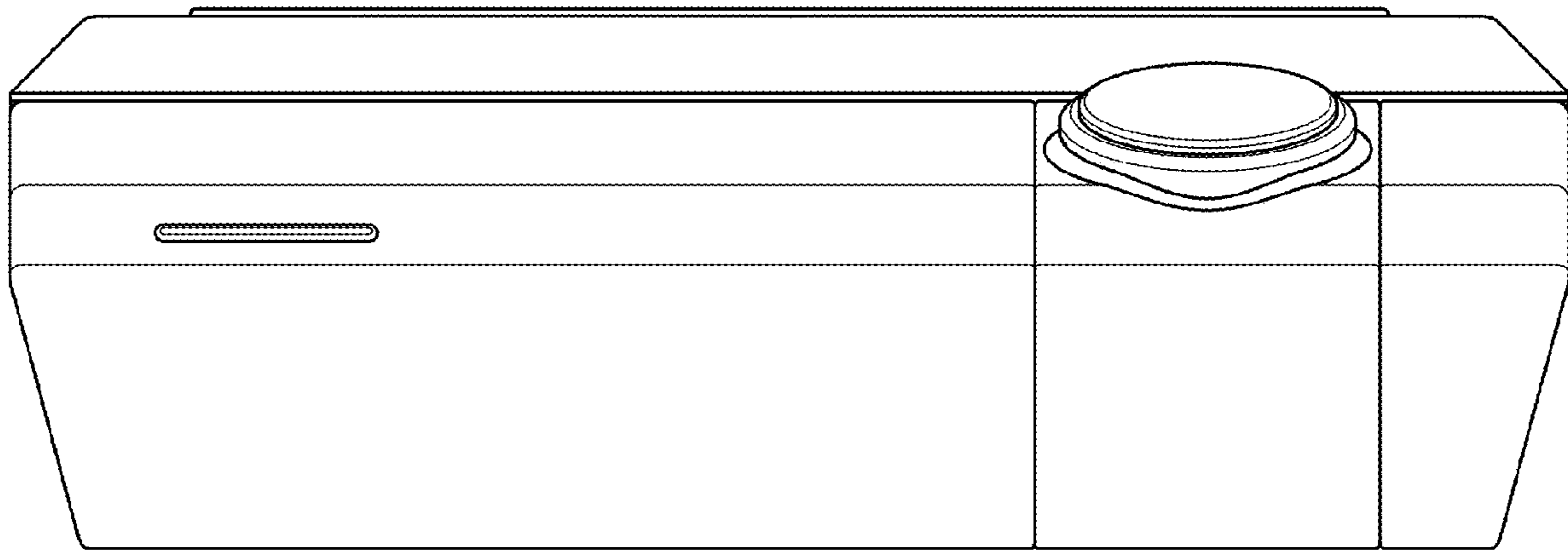


FIG. 2

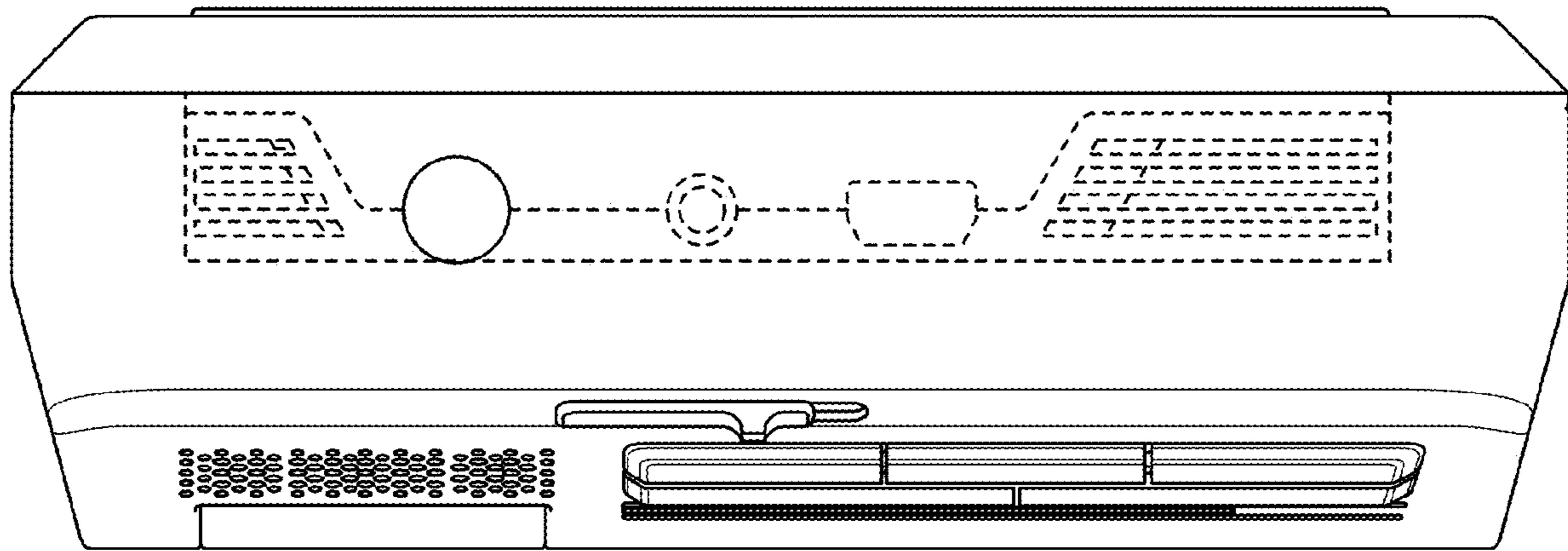


FIG. 3

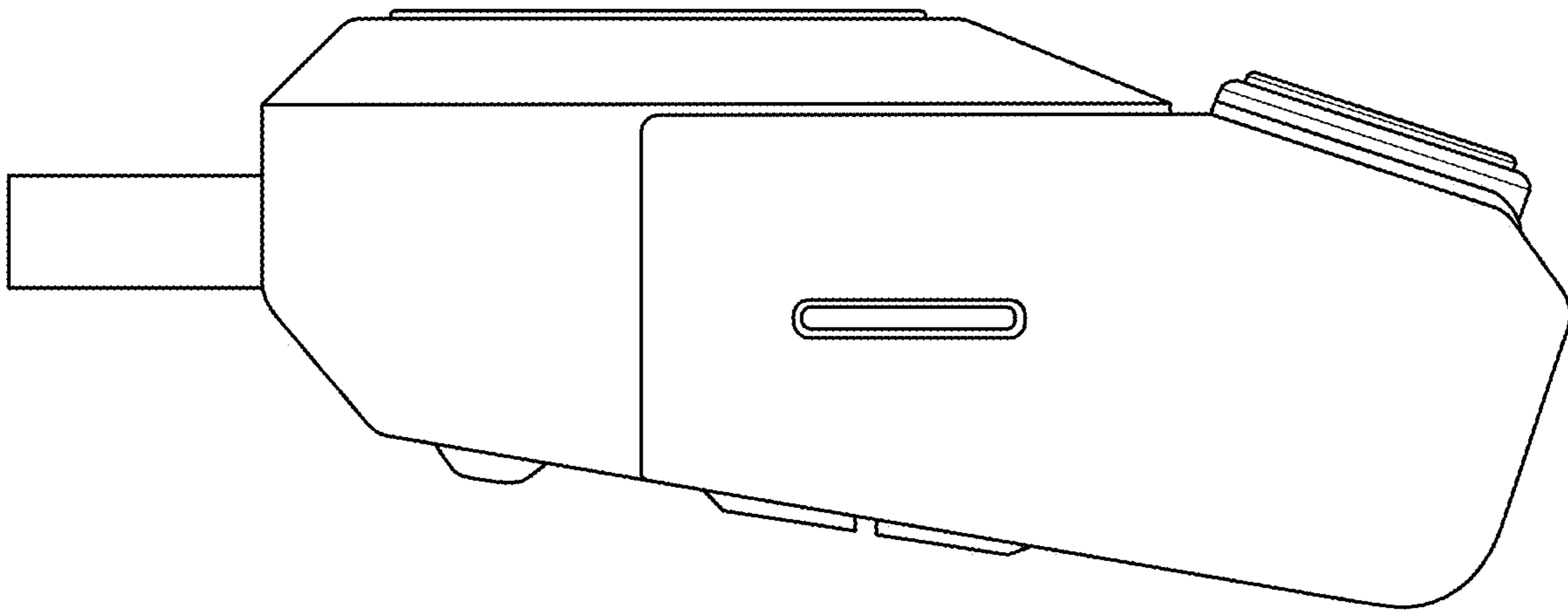


FIG. 4

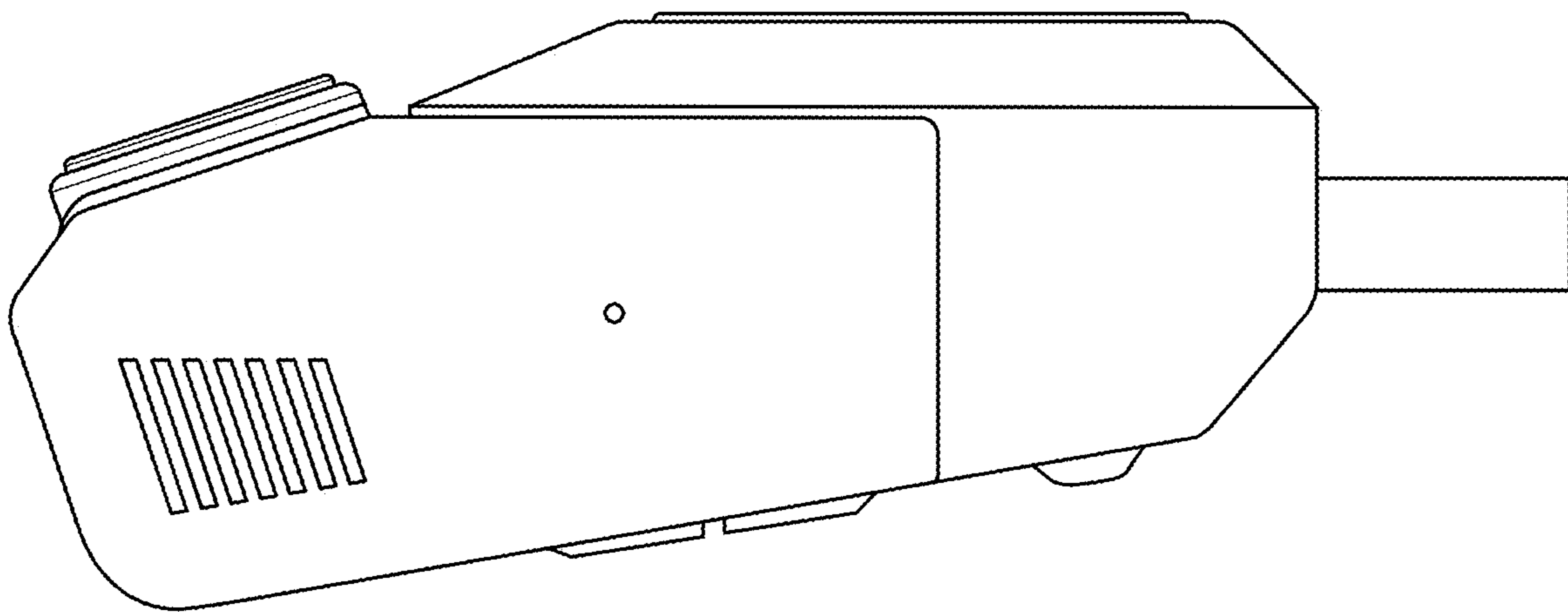


FIG. 5

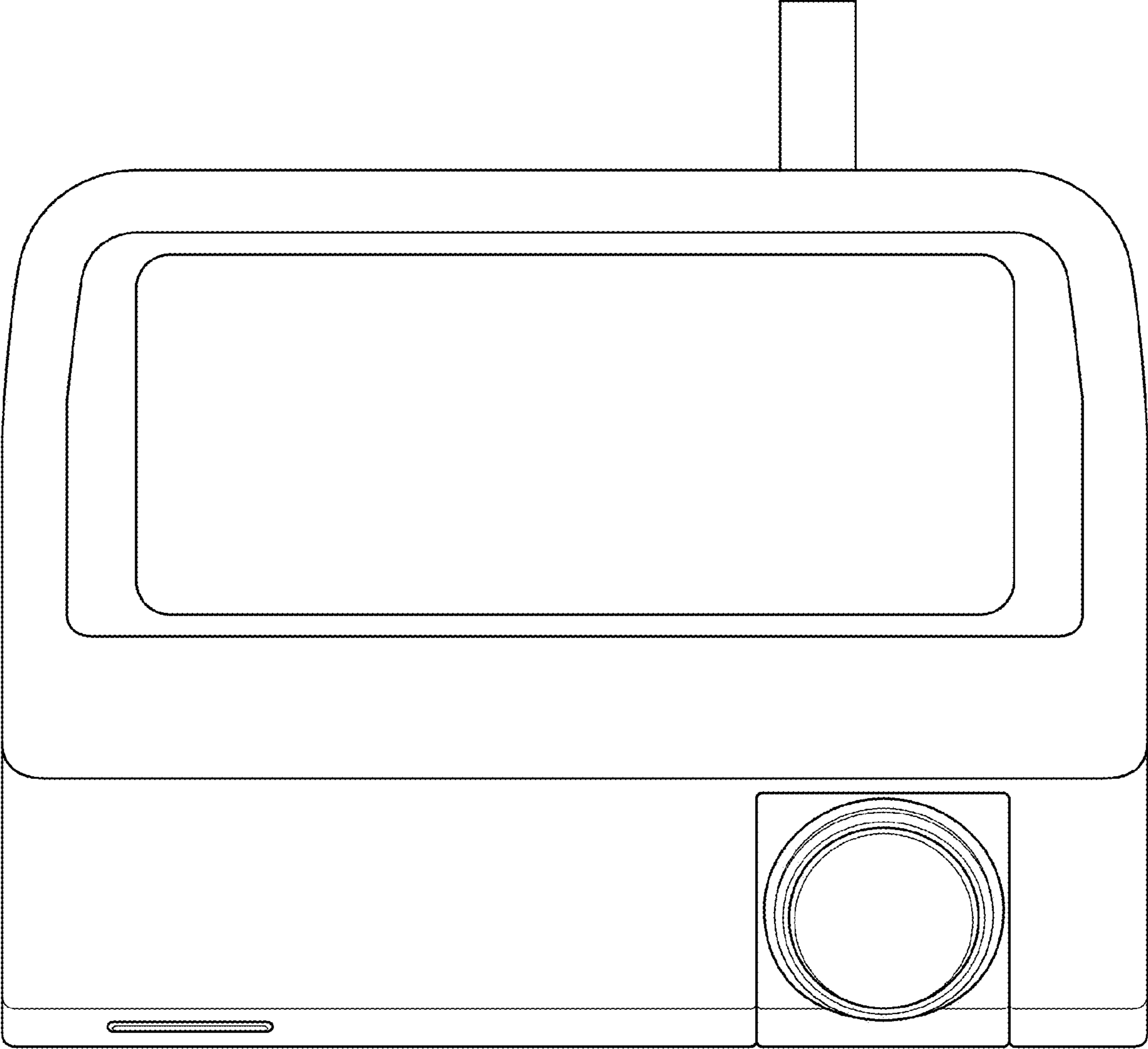


FIG. 6

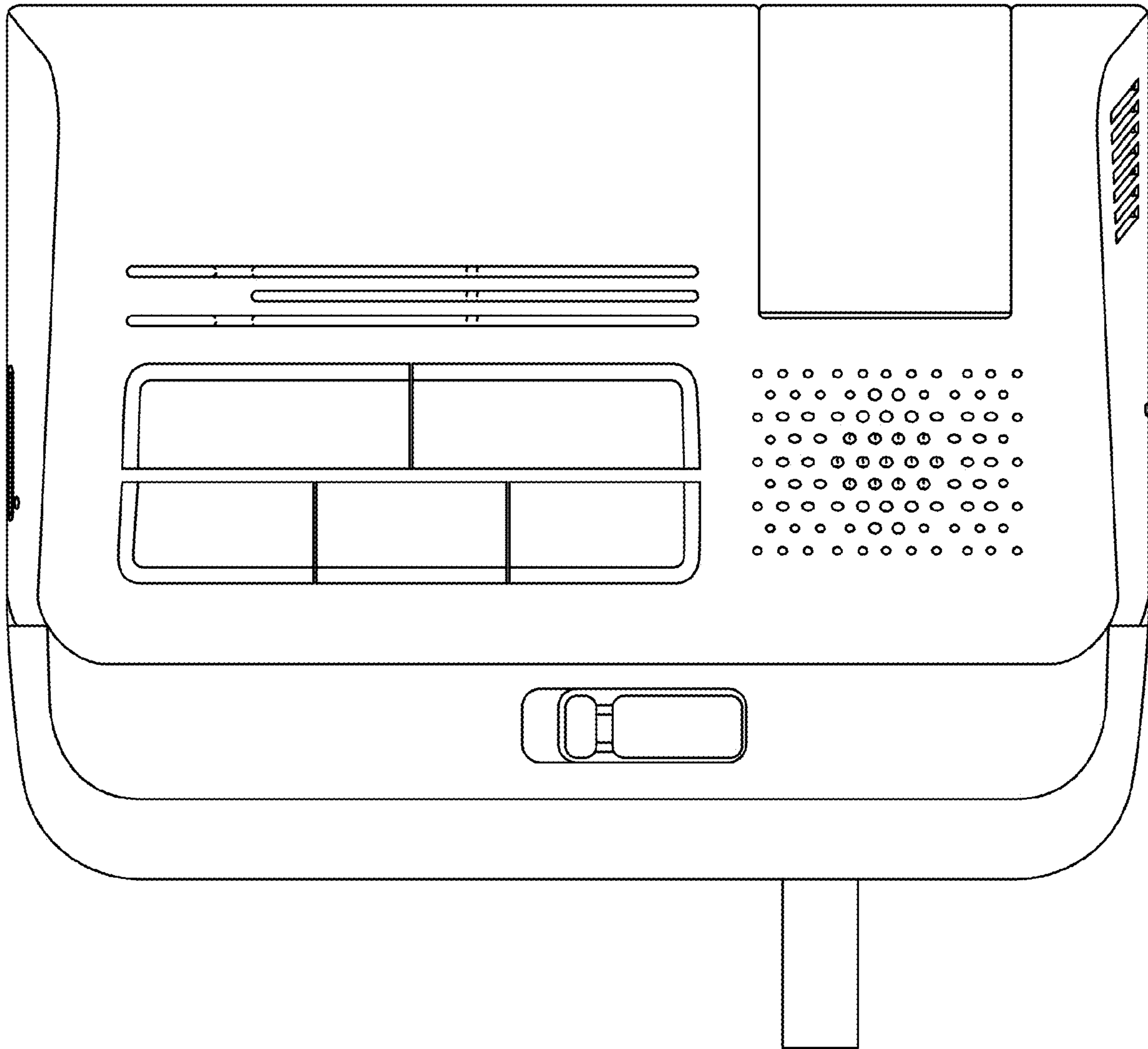


FIG. 7

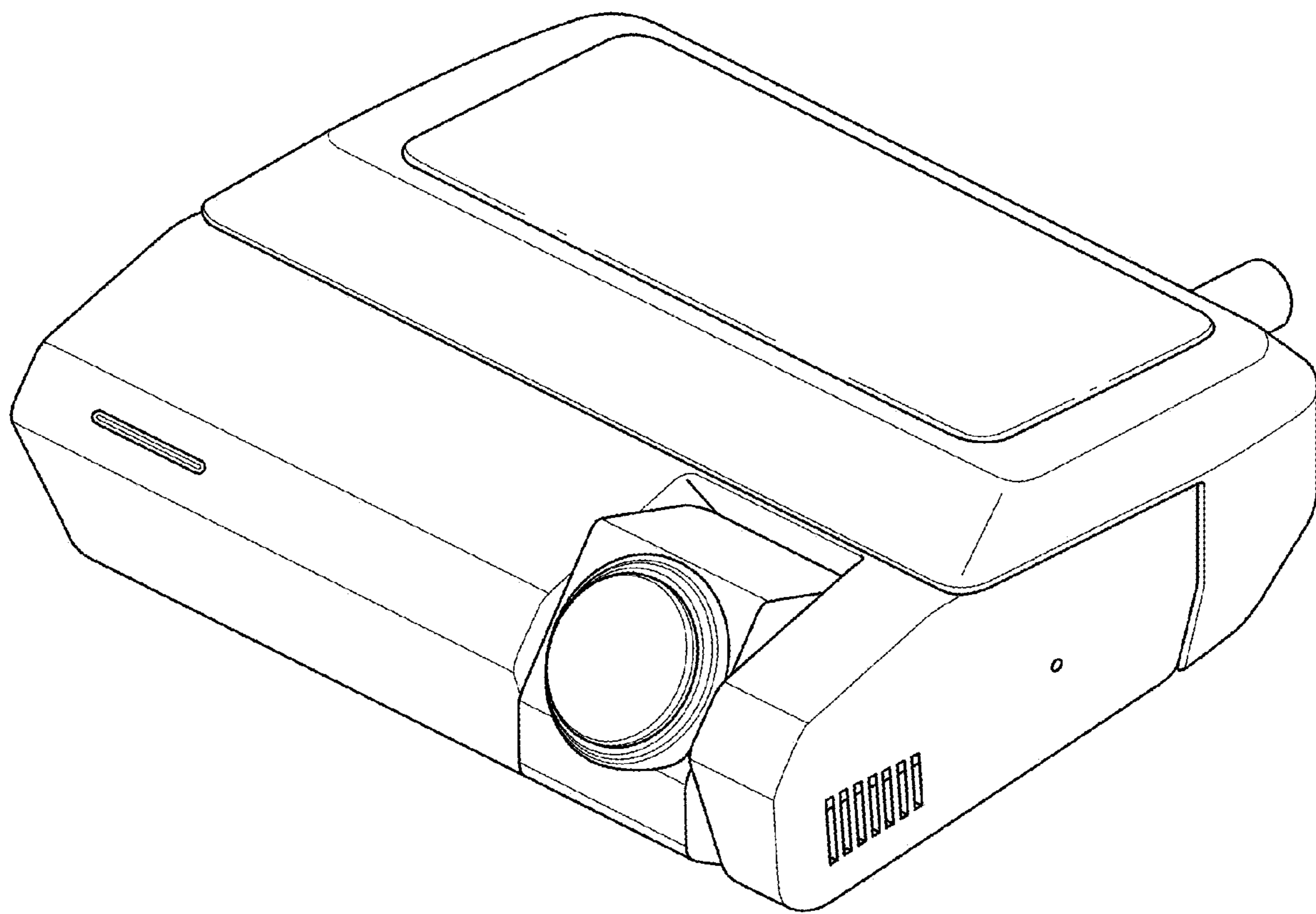


FIG. 8