



US00D988385S

(12) **United States Design Patent** (10) **Patent No.:** **US D988,385 S**
Ju (45) **Date of Patent:** **** Jun. 6, 2023**

(54) **CAMERA**
(71) Applicant: **GETAC TECHNOLOGY CORPORATION**, Hsinchu County (TW)
(72) Inventor: **Shuan-Yeong Ju**, Taipei (TW)
(73) Assignee: **GETAC TECHNOLOGY CORPORATION**, Hsinchu County (TW)

D559,290 S * 1/2008 Chung D16/205
D560,810 S * 1/2008 Hennessy D24/214
D583,358 S * 12/2008 Joseph D10/2
D611,858 S * 3/2010 Nagano D10/98
D630,941 S * 1/2011 Paredes D9/430
D751,932 S * 3/2016 Chong D10/57
D756,011 S * 5/2016 Nojima D26/51
D773,941 S * 12/2016 Holzer D10/22

(Continued)

(**) Term: **15 Years**

FOREIGN PATENT DOCUMENTS

CN 306142025 * 10/2020
CN 307257146 * 4/2022

(21) Appl. No.: **29/786,028**

OTHER PUBLICATIONS

(22) Filed: **May 28, 2021**

“Hidden Spy Camera Clock,” reviewed Jan. 21, 2020, retrieved Oct. 2, 2022 from <https://www.amazon.com/Hidden-Detective-Monitor-Recorder-Security/dp/B07LC7813V> (Year: 2020).*

(30) **Foreign Application Priority Data**

Apr. 1, 2021 (CN) 202130181098.6

Primary Examiner — Maria J. Edwards
Assistant Examiner — Dina Michelle Hoeynck

(51) **LOC (14) Cl.** **16-01**

(52) **U.S. Cl.**
USPC **D16/208**; D16/218

(57) **CLAIM**

(58) **Field of Classification Search**
USPC D16/200, 202–204, 208, 211, 214, 218,
D16/219, 243; D10/57, 70; D14/125,
D14/167

The ornamental design for a camera, as shown and described.

CPC G03B 17/00; G03B 17/02; G03B 2217/00;
H04N 5/225

DESCRIPTION

See application file for complete search history.

FIG. 1 is a top, front, and right side perspective view of a camera, showing my new design;
FIG. 2 is a bottom, rear, and left side perspective view thereof;
FIG. 3 is a front view thereof;
FIG. 4 is a rear view thereof;
FIG. 5 is a left side view thereof;
FIG. 6 is a right side view thereof;
FIG. 7 is a top view thereof; and,
FIG. 8 is a bottom view thereof.

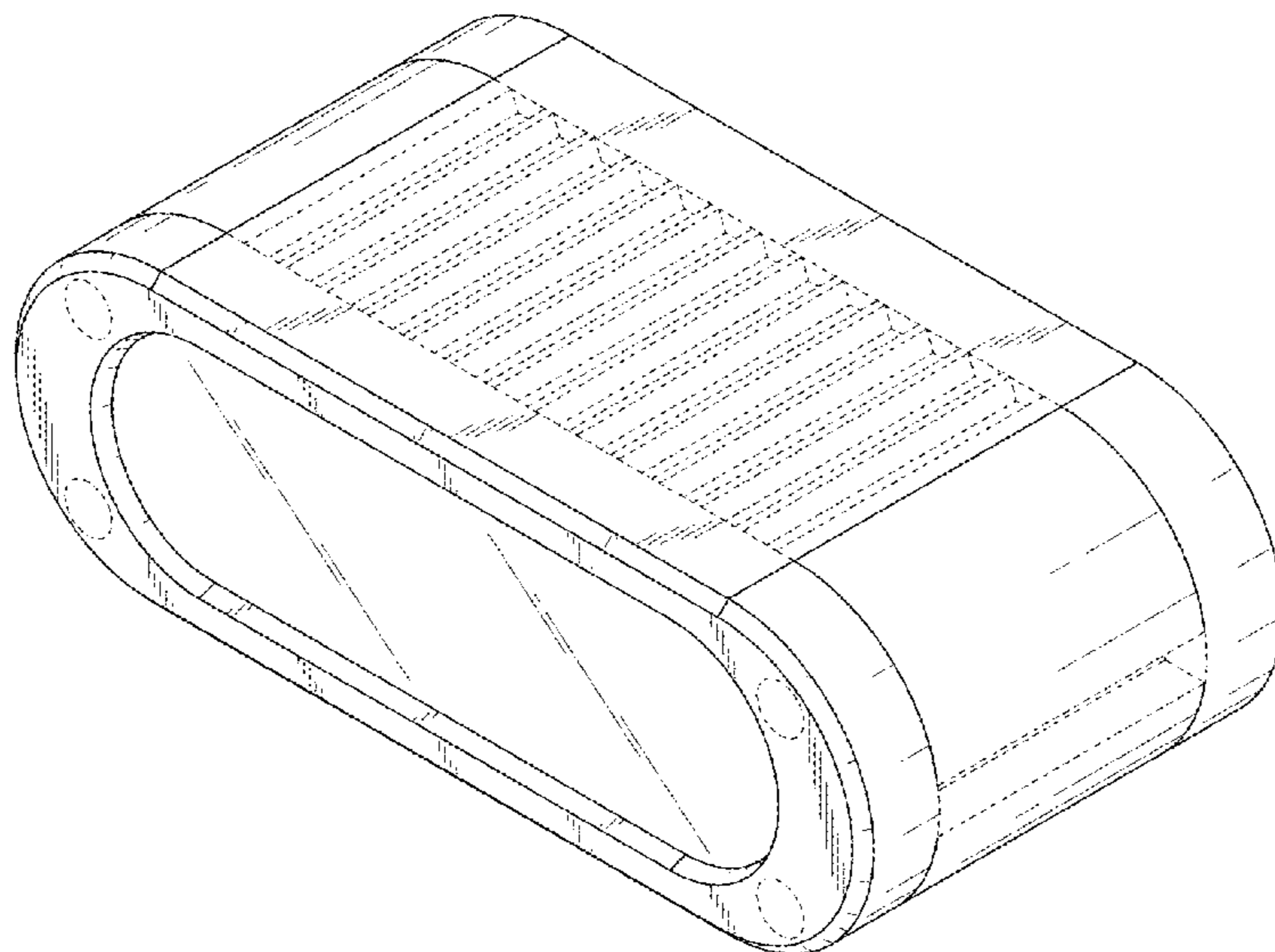
The dash lines in the figures illustrate the portions of the article that form no part of the claimed design.

(56) **References Cited**

U.S. PATENT DOCUMENTS

D29,376 S * 9/1898 Brownell D16/200
D303,535 S * 9/1989 Lane D16/217
D369,819 S * 5/1996 Mori D16/202
D403,340 S * 12/1998 Arbuckle D16/203
D424,084 S * 5/2000 Senda D16/202
D431,582 S * 10/2000 Sumita D16/202
6,309,717 B1 * 10/2001 Qiu B32B 29/00
428/34.3

1 Claim, 8 Drawing Sheets



(56)

References Cited

U.S. PATENT DOCUMENTS

D775,679	S	*	1/2017	Klein	D16/202
D777,234	S	*	1/2017	Webb	D16/202
D779,341	S	*	2/2017	Poandl	D10/2
D797,747	S	*	9/2017	Xu	D14/433
D803,924	S	*	11/2017	Martin	D16/218
D808,455	S	*	1/2018	Lee	D16/202
D813,925	S	*	3/2018	Park	D16/203
D833,411	S	*	11/2018	Castle	D14/155
D835,701	S	*	12/2018	Song	D16/219
D847,112	S	*	4/2019	Castle	D14/155
D847,811	S	*	5/2019	Shim	D14/348
D862,561	S	*	10/2019	Pritikin	D16/214
D865,029	S	*	10/2019	Fook	D16/218
D872,792	S	*	1/2020	Fletcher	D10/70
D885,455	S	*	5/2020	Kanemori	D16/202
D896,106	S	*	9/2020	Gong	D10/56
D909,446	S	*	2/2021	Ross	D16/202
D909,451	S	*	2/2021	Hamlin	D16/208
D923,490	S	*	6/2021	Wolos	D10/2
D931,927	S	*	9/2021	Russo	D16/202
D941,685	S	*	1/2022	Carpenter	D9/430
D947,923	S	*	4/2022	Wang	D16/203

* cited by examiner

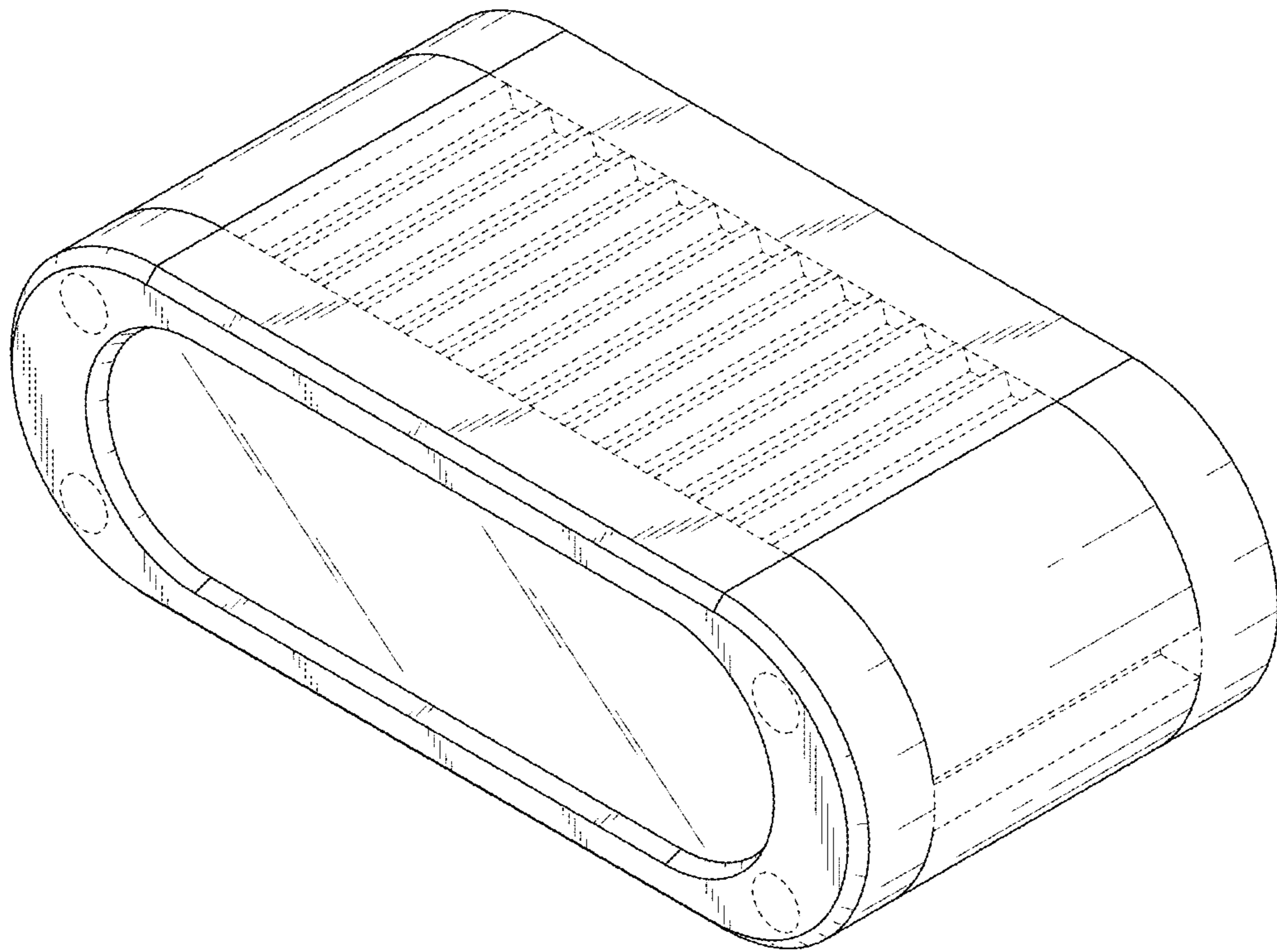


FIG. 1

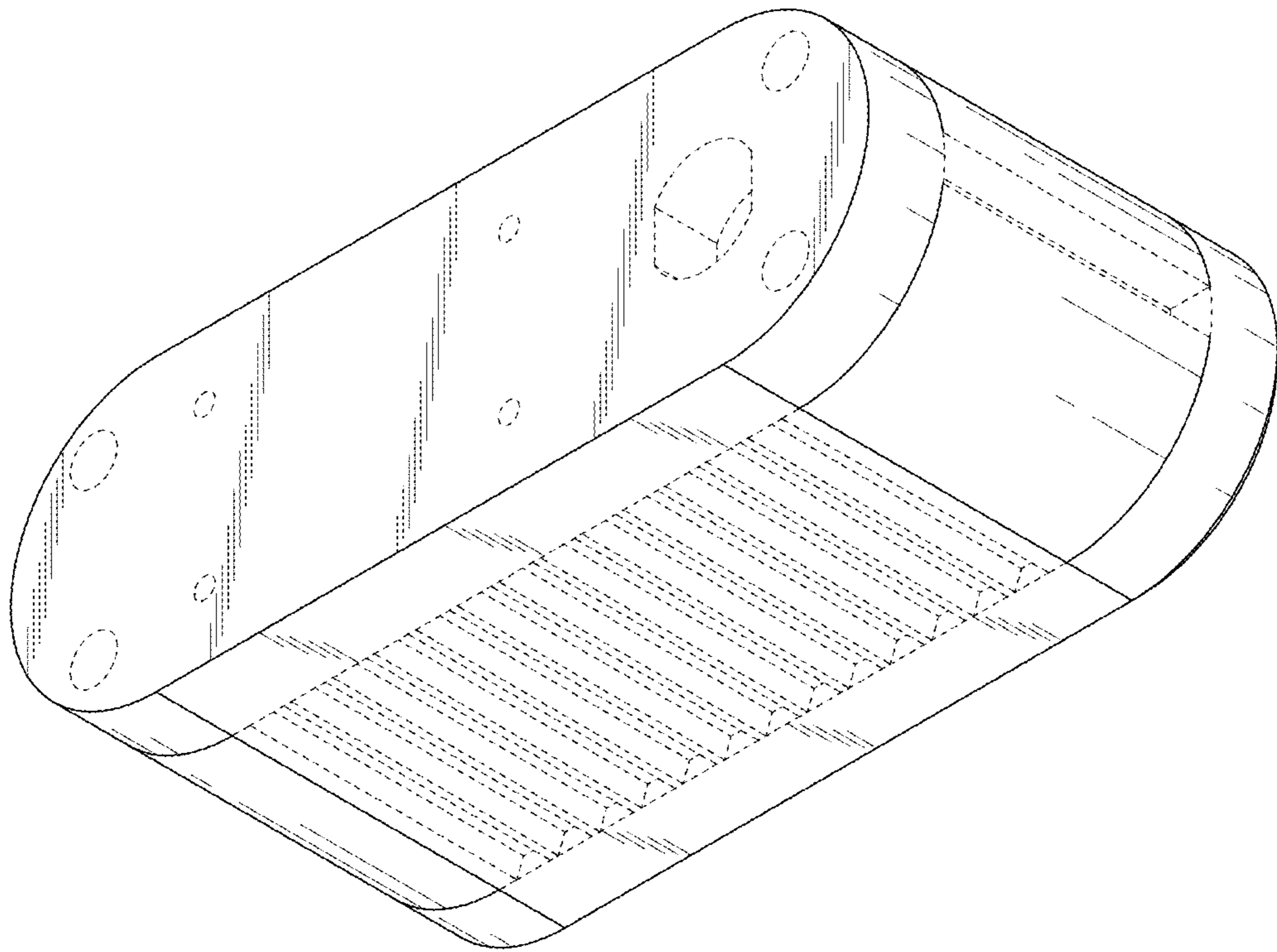


FIG. 2

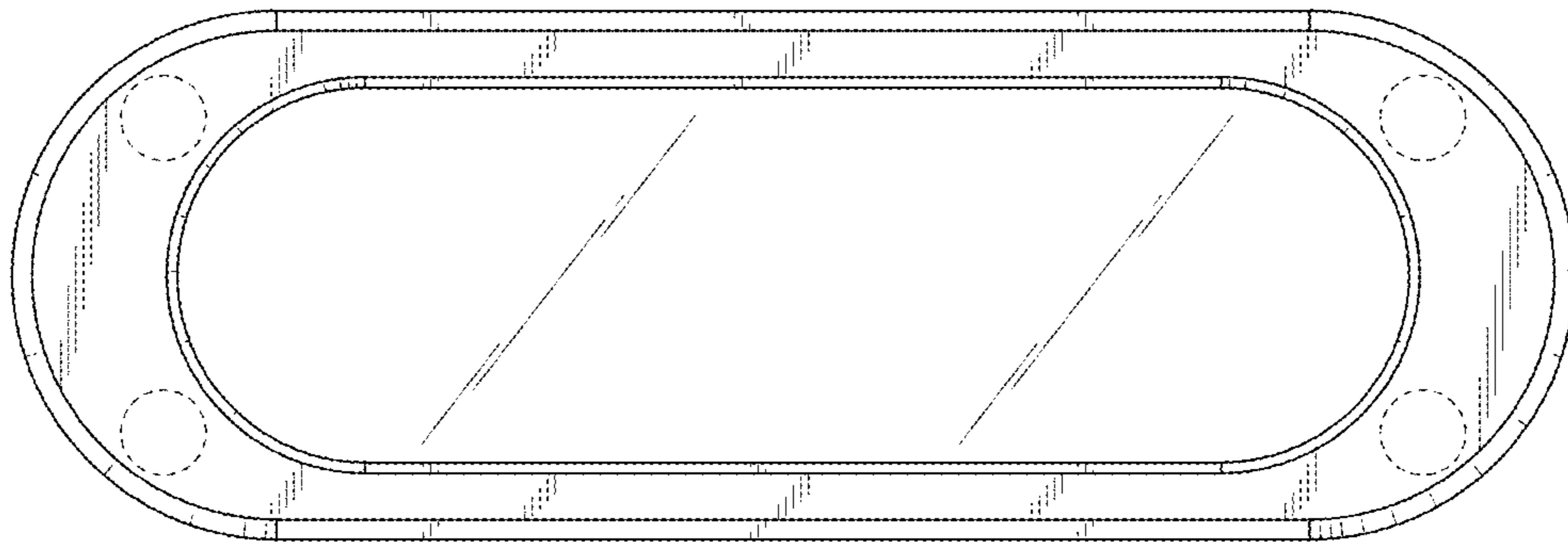


FIG. 3

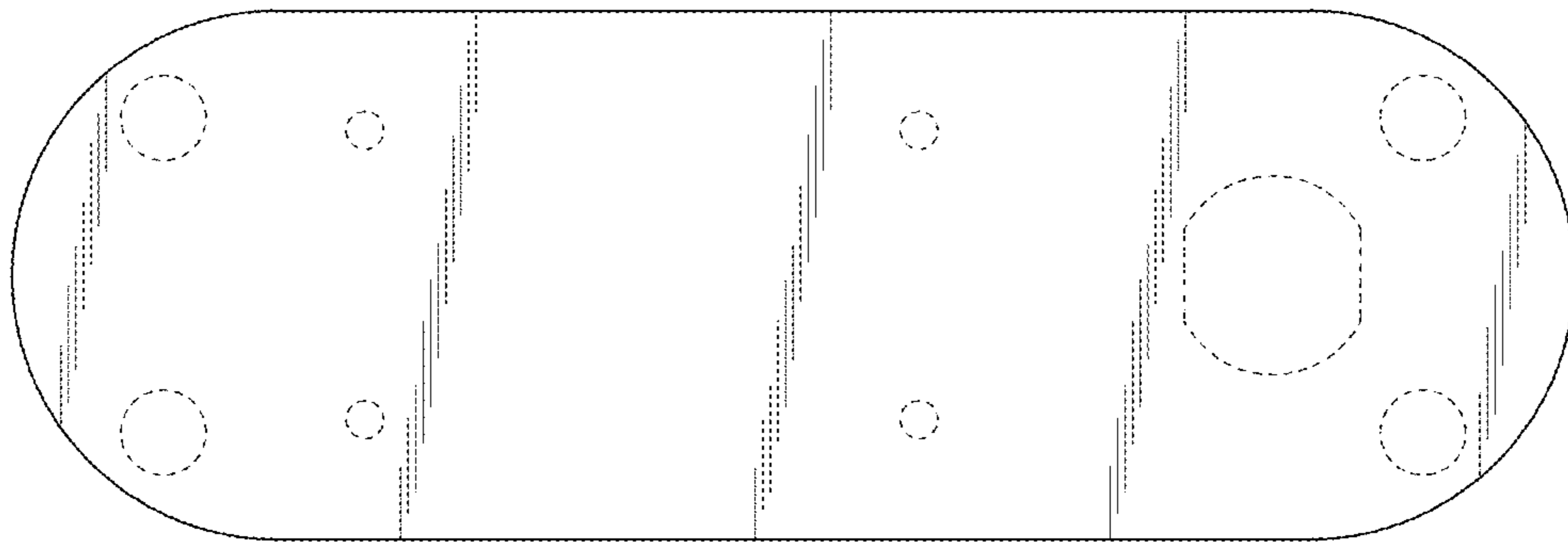


FIG. 4

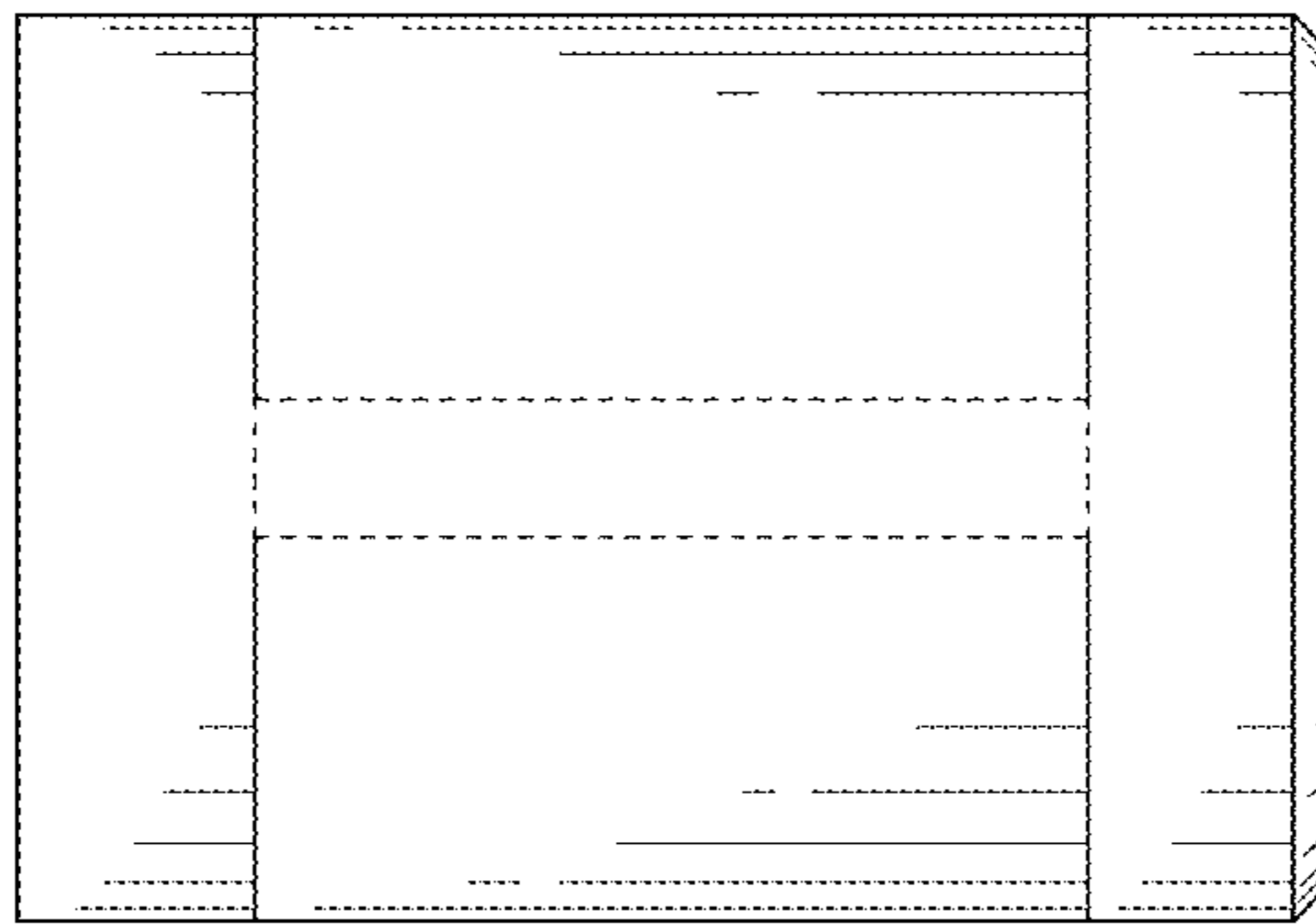


FIG. 5

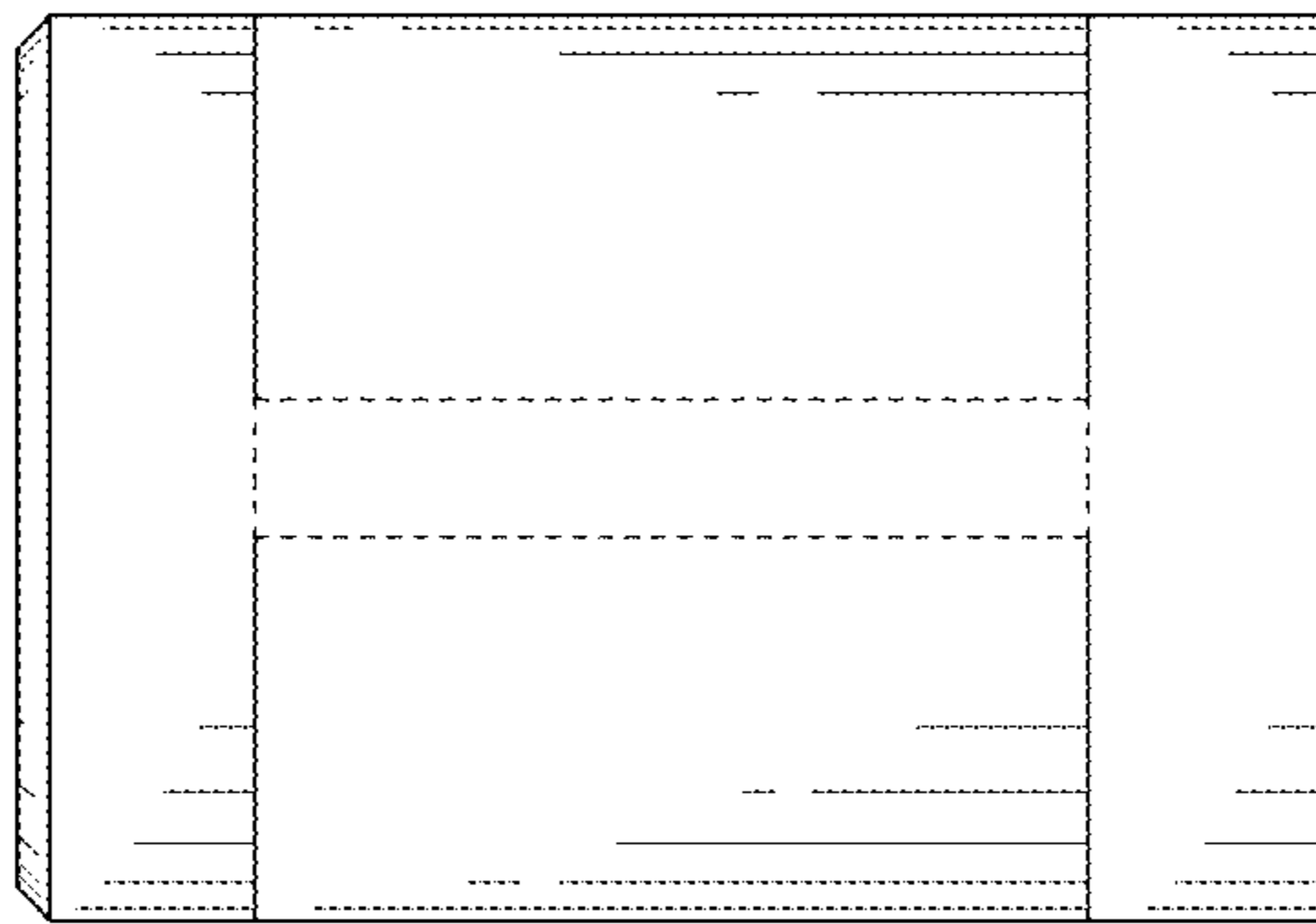


FIG. 6

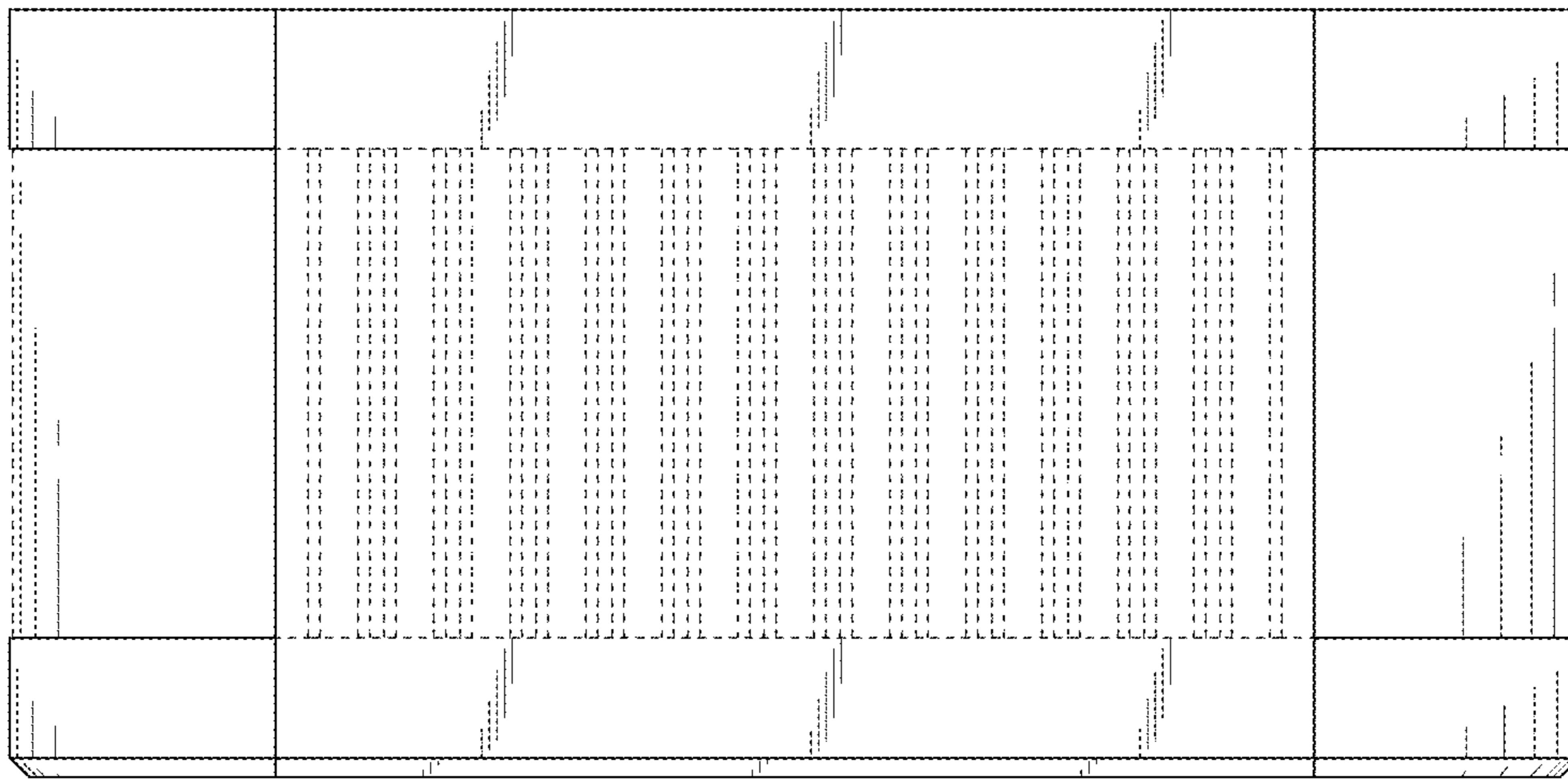


FIG. 7

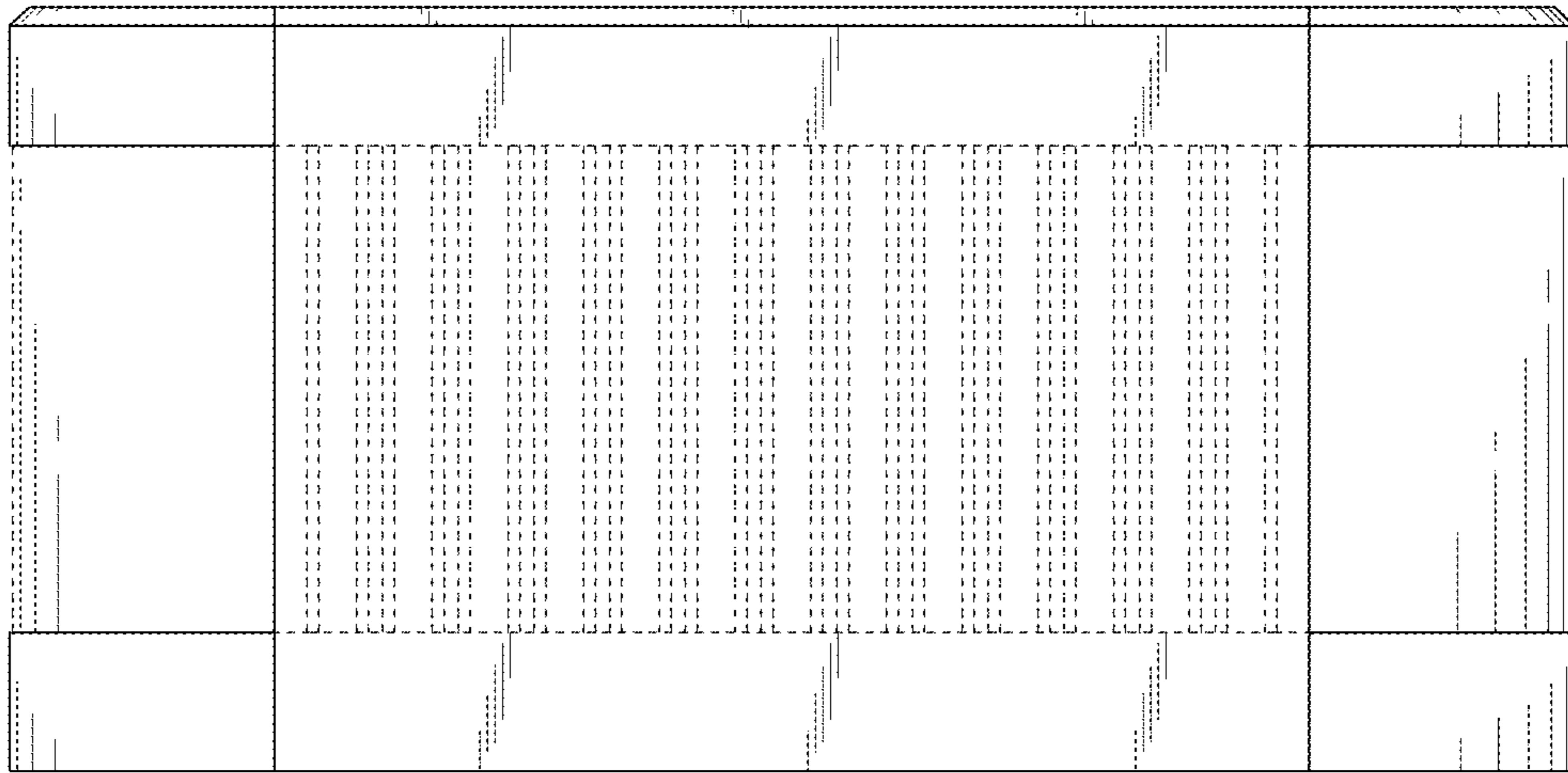


FIG. 8