



US00D988381S

(12) **United States Design Patent**  
**Han et al.**

(10) **Patent No.:** **US D988,381 S**

(45) **Date of Patent:** **\*\* Jun. 6, 2023**

(54) **ROBOT**

(71) Applicant: **Bear Robotics, Inc.**, Redwood City,  
CA (US)

(72) Inventors: **Sori Han**, Oakland, CA (US); **Soojin Shim**, Seoul (KR); **Si Kyung Lee**, Seoul (KR); **Jungho Jo**, Seoul (KR); **Minkeun Song**, Hwaseong-si (KR)

(73) Assignee: **Bear Robotics, Inc.**, Redwood City,  
CA (US)

(\*\*) Term: **15 Years**

(21) Appl. No.: **29/812,239**

(22) Filed: **Oct. 20, 2021**

(51) **LOC (14) Cl.** ..... **15-99**

(52) **U.S. Cl.**  
USPC ..... **D15/199**

(58) **Field of Classification Search**  
USPC ..... D15/199; D21/578-583, 621, 622;  
D32/21; D34/34  
CPC ..... B25J 5/007; B25J 9/0003; B25J 11/00;  
B62D 57/024; G06N 3/008; Y10S 901/01  
See application file for complete search history.

(56) **References Cited**

**U.S. PATENT DOCUMENTS**

D799,575 S *	10/2017	Tang	.....	D15/199
D810,167 S *	2/2018	Yang	.....	D15/199
D813,285 S *	3/2018	Wei	.....	D15/199
D824,442 S *	7/2018	Du	.....	D15/199
D855,673 S *	8/2019	Sutherland	.....	D15/199
D869,533 S *	12/2019	Kim	.....	A63H 11/00
				D15/199
D872,788 S *	1/2020	Sutherland	.....	D15/199

D883,355 S *	5/2020	Greenwalt	.....	D15/199
D894,248 S *	8/2020	Kim	.....	D15/199
D894,987 S *	9/2020	Li	.....	D15/199
D908,151 S *	1/2021	Song	.....	D15/199
D920,411 S *	5/2021	Zheng	.....	D15/199
D921,080 S *	6/2021	Chen	.....	D15/199
D921,081 S *	6/2021	LaPlante	.....	D15/199
D931,921 S *	9/2021	Haddadin	.....	D15/199
D934,933 S *	11/2021	Cho	.....	D15/199
11,419,442 B1 *	7/2022	Delaunay	.....	D15/199
D966,382 S *	8/2022	Nguegang	.....	A47G 23/08
	10/2022	Chen	.....	D15/199
2014/0074287 A1 *	3/2014	LaFary	.....	B25J 9/1676
				700/253

\* cited by examiner

*Primary Examiner* — Patricia A Palasik

(74) *Attorney, Agent, or Firm* — Dinsmore & Shohl LLP;  
Yongsok Choi, Esq.

(57) **CLAIM**

The ornamental design for a robot, as shown and described.

**DESCRIPTION**

FIG. 1 is a perspective view of a robot;  
FIG. 2 is a front view thereof;  
FIG. 3 is a rear view thereof;  
FIG. 4 is a left side view thereof;  
FIG. 5 is a right side view thereof;  
FIG. 6 is a top plan view thereof;  
FIG. 7 is a bottom view thereof; and,  
FIG. 8 is another perspective view of the robot in an alternate position.  
The broken lines in the drawings illustrate the portions of the robot that form no part of the claimed design.

**1 Claim, 8 Drawing Sheets**

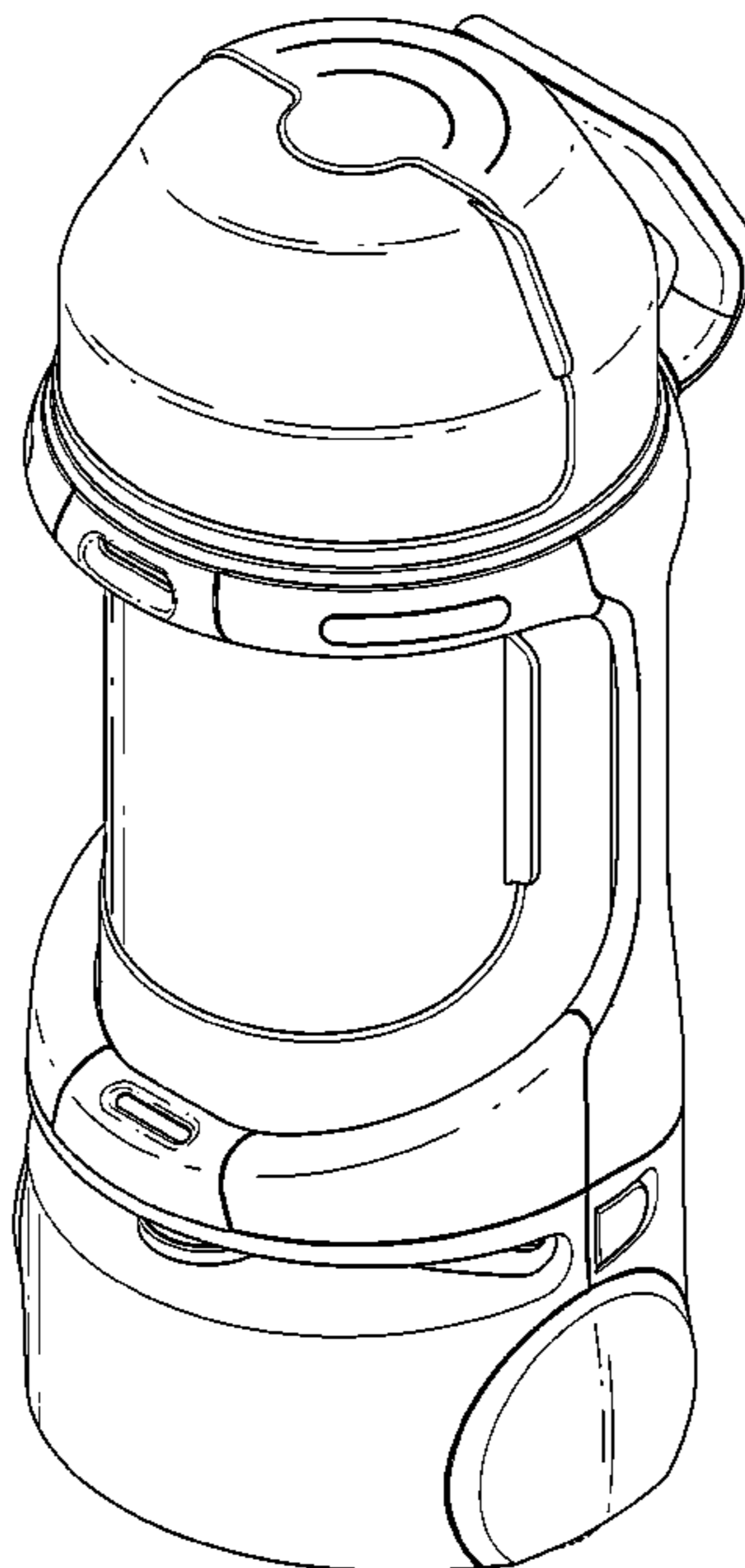


FIG. 1

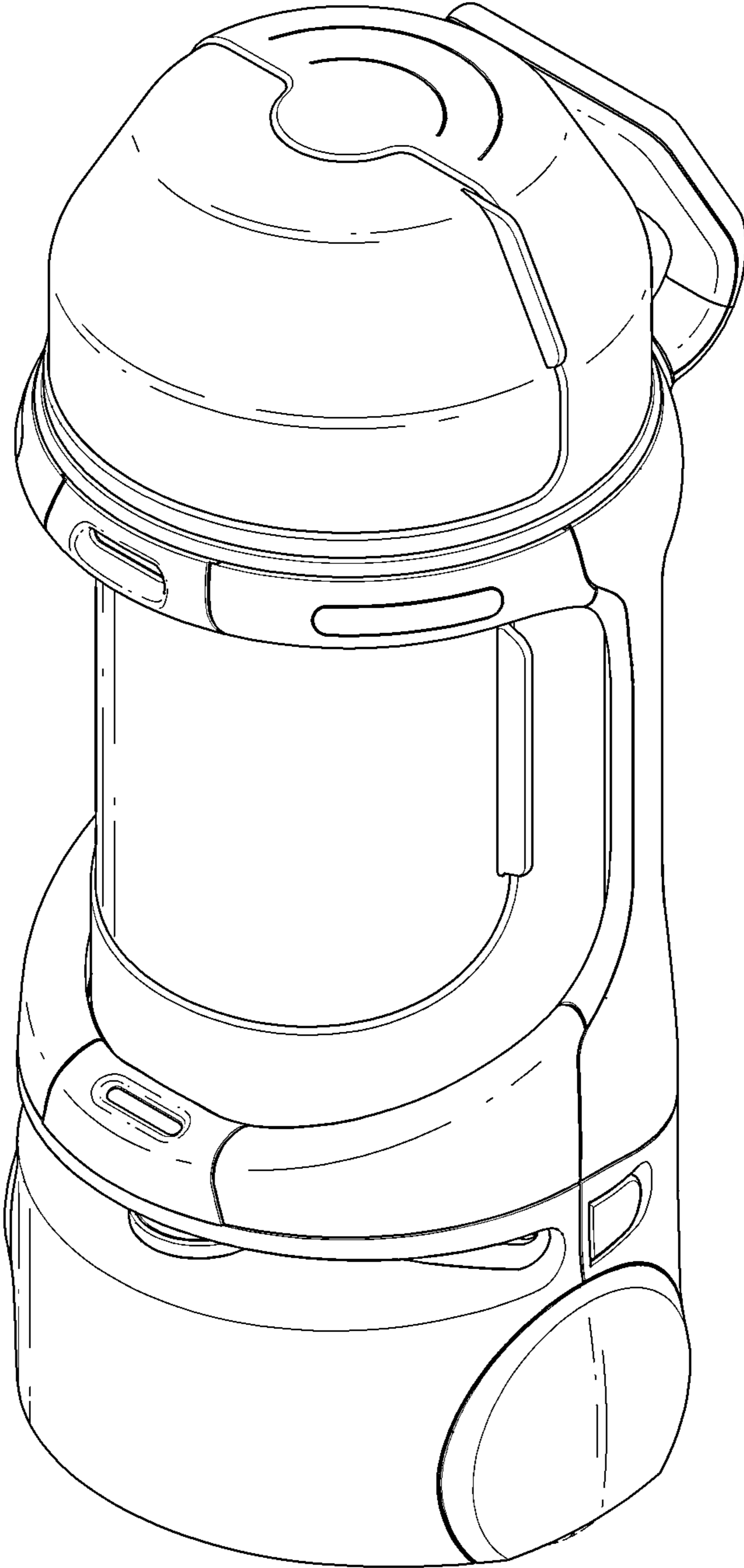


FIG. 2

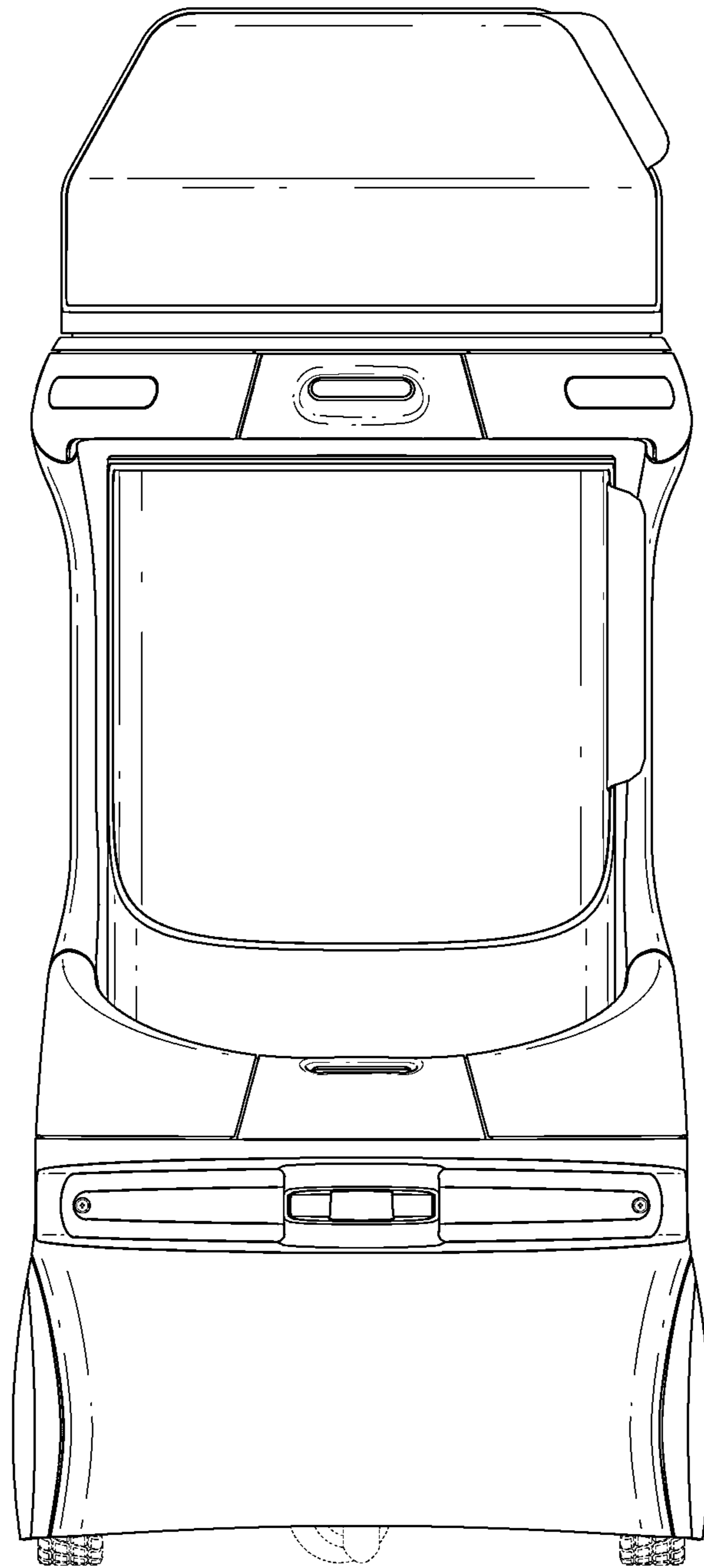


FIG. 3

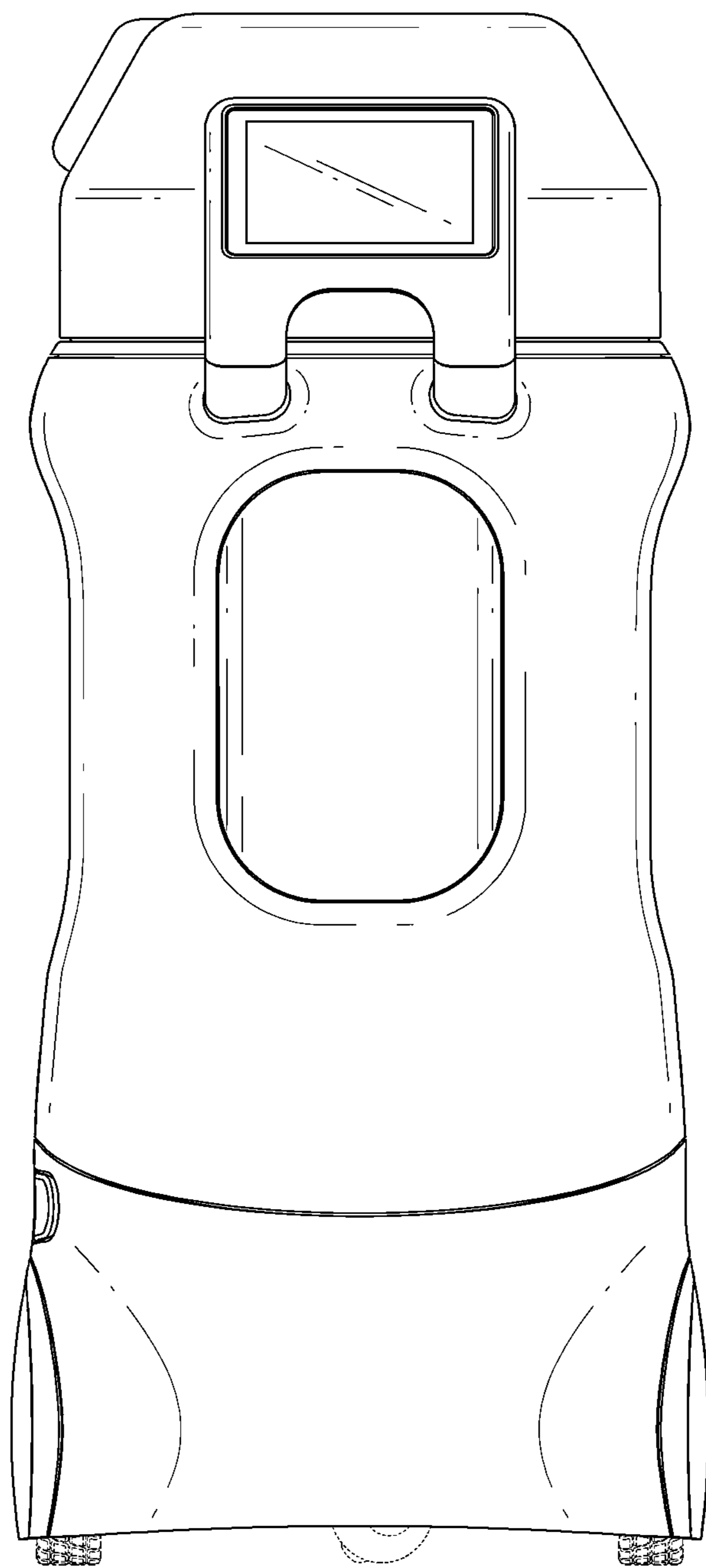


FIG. 4

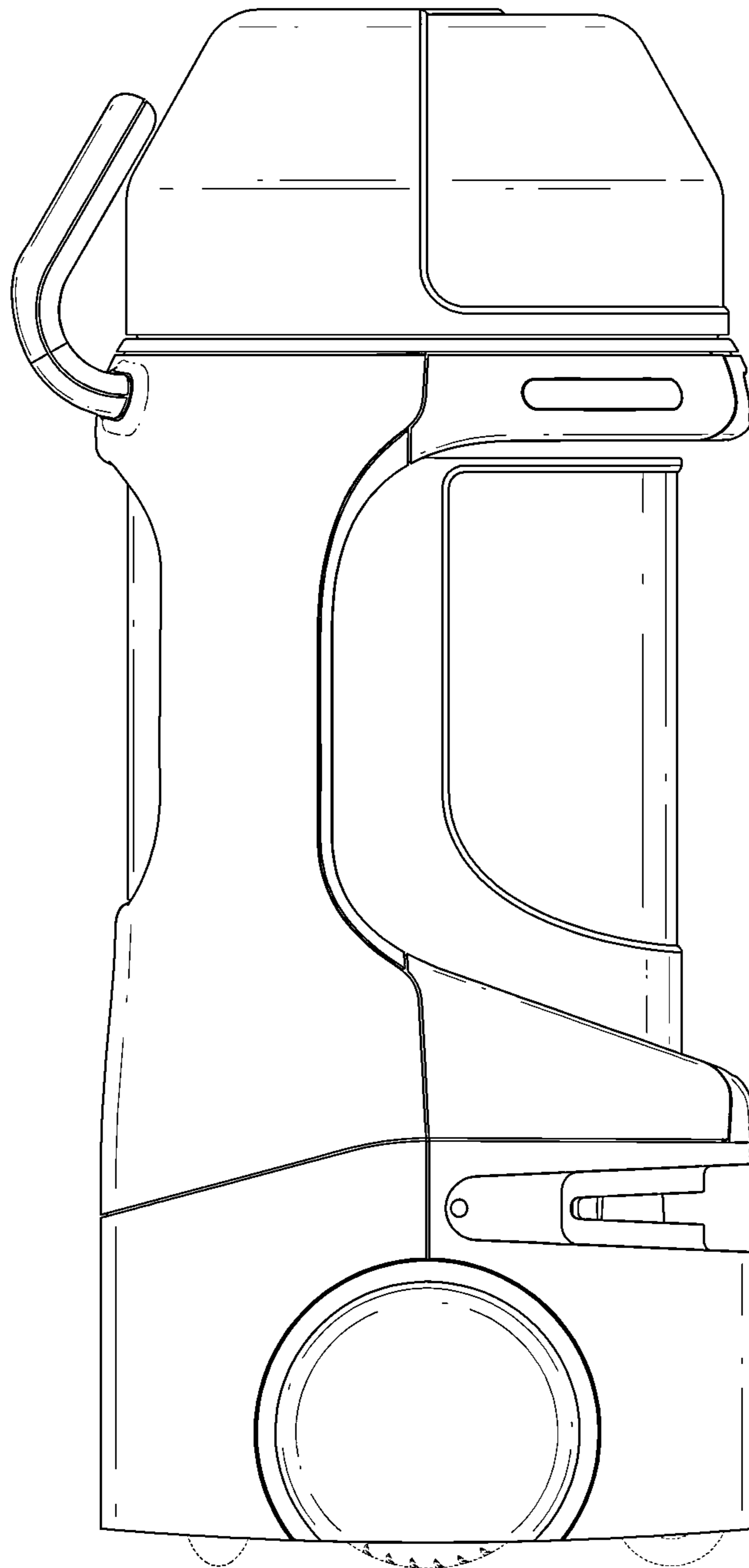


FIG. 5

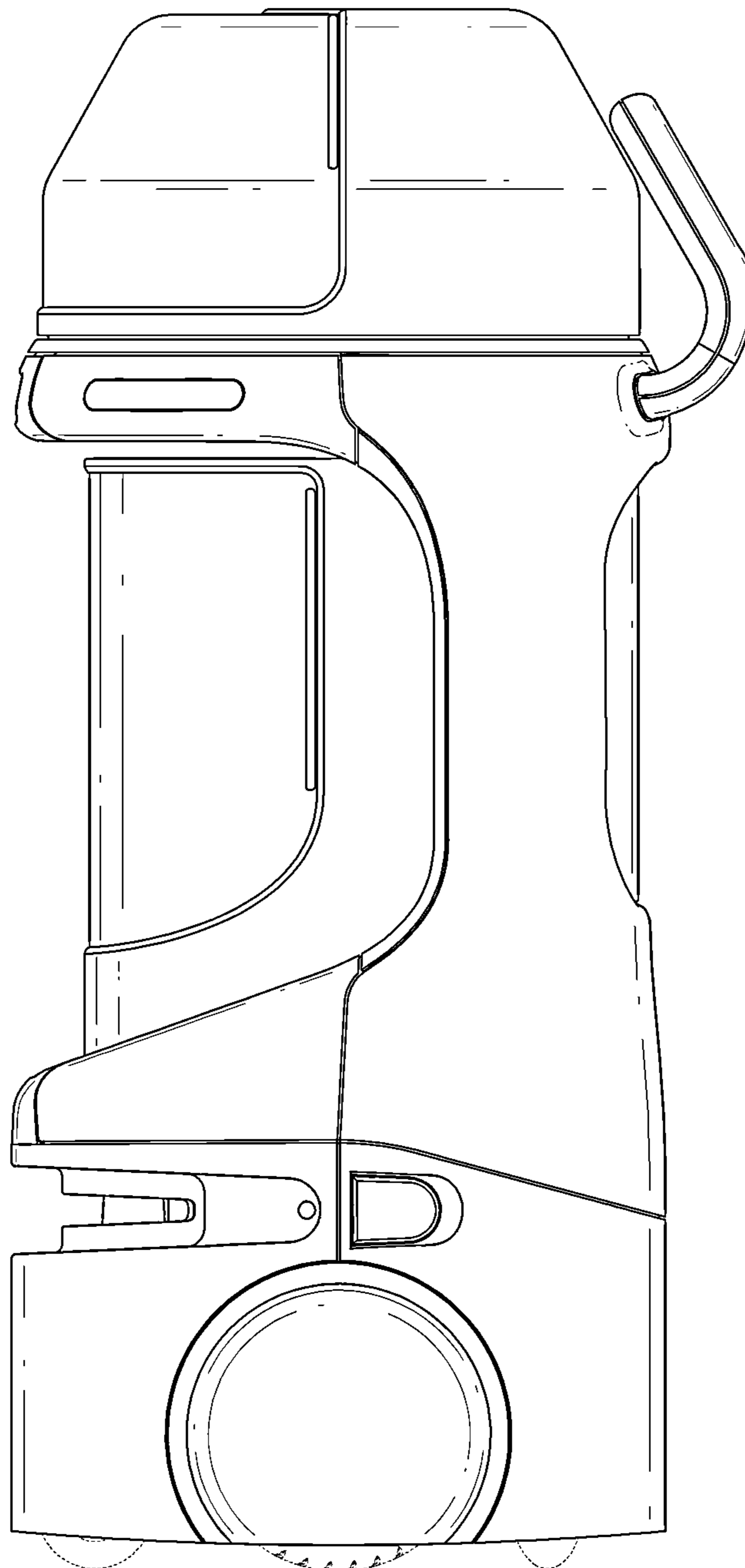


FIG. 6

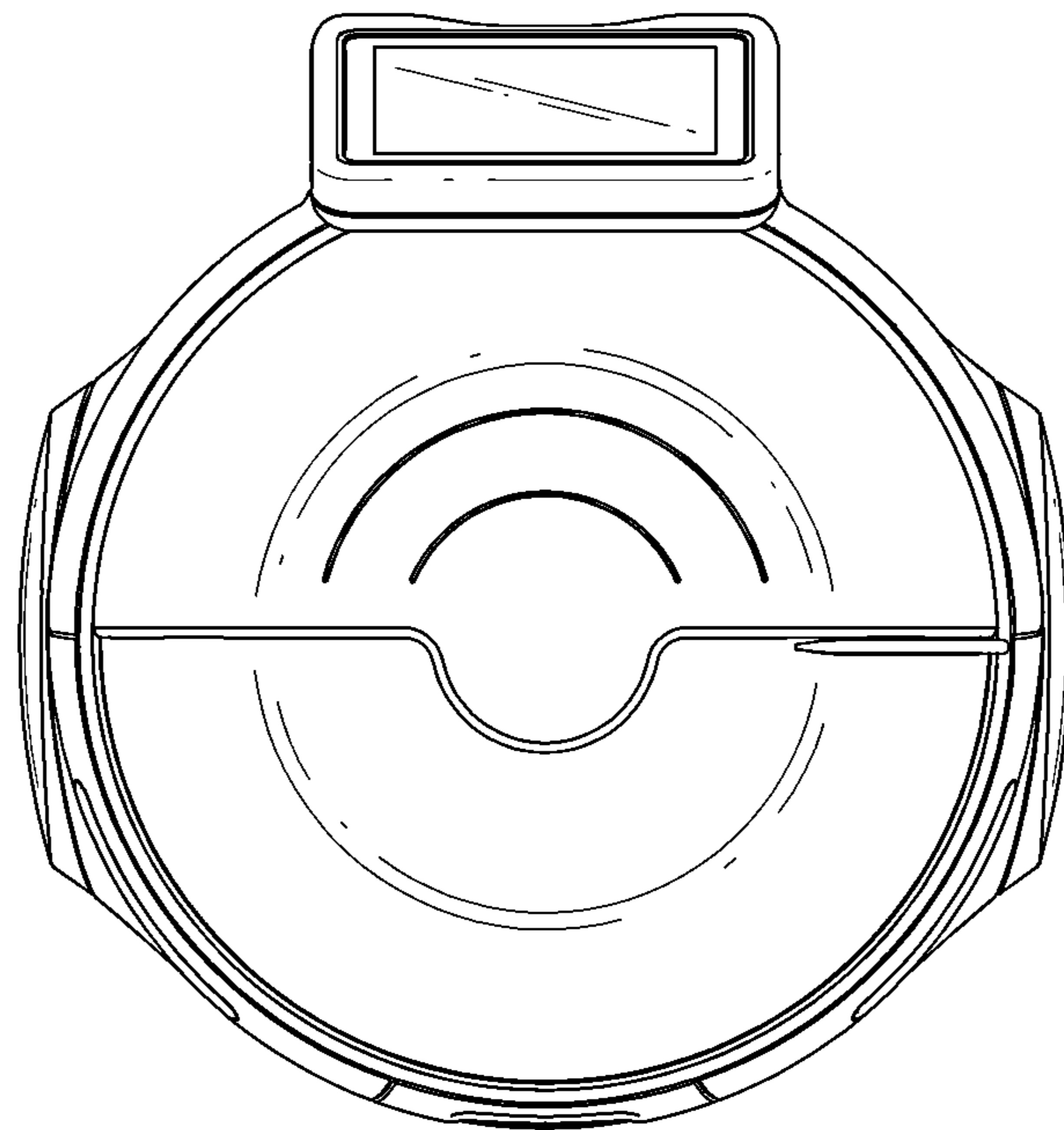


FIG. 7

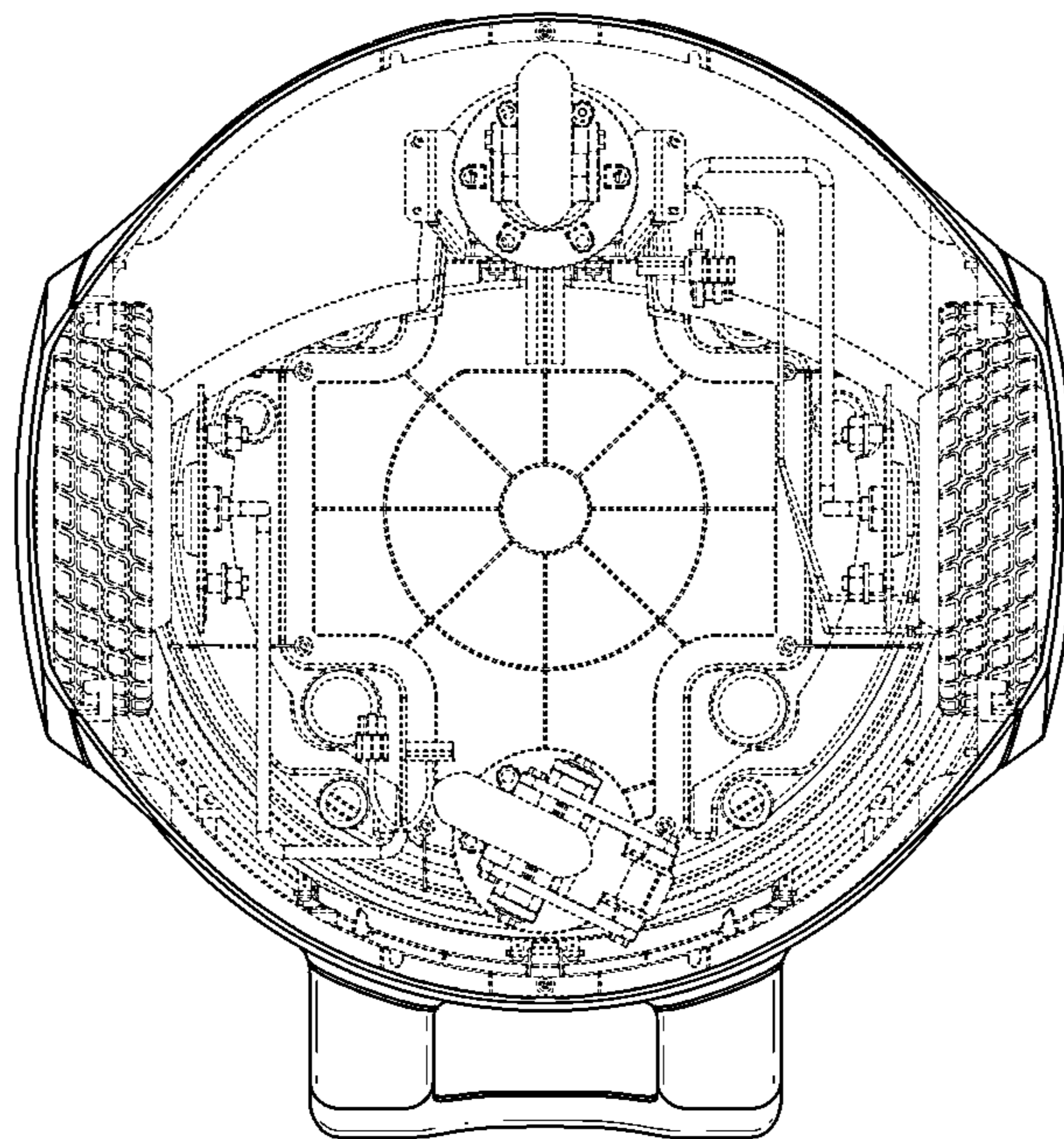




FIG. 8

