



US00D988378S

(12) **United States Design Patent**
Reichental et al.

(10) **Patent No.:** **US D988,378 S**

(45) **Date of Patent:** **** Jun. 6, 2023**

(54) **RESIN CARTRIDGE HANDLE**

(71) Applicant: **NEXA3D INC.**, Ventura, CA (US)

(72) Inventors: **Avi N. Reichental**, Carpinteria, CA (US); **Izhar Medalsy**, Ventura, CA (US); **Beneil Eisavi**, Camarillo, CA (US); **Eduardo Reveles**, Santa Barbara, CA (US); **Miguel Cuevas Sandoval**, Camarillo, CA (US); **Francis Kenyon Whetsell**, Ventura, CA (US)

(73) Assignee: **NEXA3D INC.**, Ventura, CA (US)

(**) Term: **15 Years**

(21) Appl. No.: **29/790,182**

(22) Filed: **Nov. 10, 2021**

(51) **LOC (14) Cl.** **15-09**

(52) **U.S. Cl.**
USPC **D15/138; D18/56**

(58) **Field of Classification Search**
USPC D9/527, 528, 534; D15/122, 138, 144, 144.1, 144.2, 199; D18/56
CPC B29C 45/00; B29C 64/135; B29C 64/20; B29C 33/3807; B33Y 30/00
See application file for complete search history.

(56) **References Cited**

U.S. PATENT DOCUMENTS

D366,051 S * 1/1996 Lewis D15/138
D581,977 S * 12/2008 Sulser D18/56

D735,255 S * 7/2015 Sickinger D15/144.2
D749,382 S * 2/2016 Matsuoka D8/14
D782,569 S * 3/2017 Matsushita D18/56
D813,941 S * 3/2018 Bertolin D18/56
D846,010 S * 4/2019 Wang D15/144.2
D899,513 S * 10/2020 Ohashi D18/43
D900,177 S * 10/2020 Pappas D15/138
D905,907 S * 12/2020 Ragbir D7/354
D906,415 S * 12/2020 Fukushima D18/43
D936,141 S * 11/2021 Ohara D18/56
D962,398 S * 8/2022 Barreto D23/266

* cited by examiner

Primary Examiner — Michael C Stout

Assistant Examiner — Fritzgerald L Butac

(74) *Attorney, Agent, or Firm* — Ascenda Law Group, PC

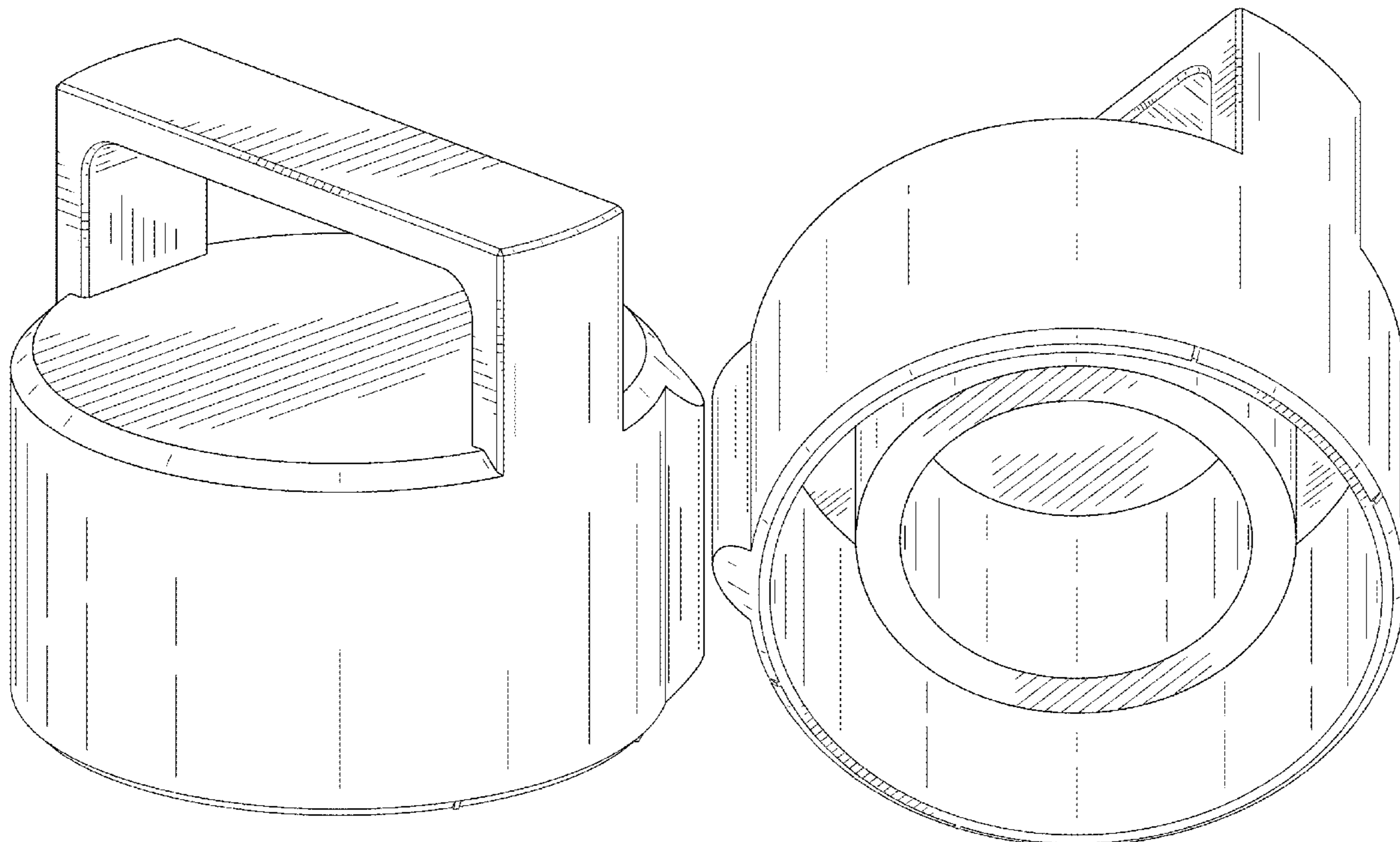
(57) **CLAIM**

The ornamental design for a resin cartridge handle, as shown and described.

DESCRIPTION

FIG. 1 top-front perspective view of a resin cartridge handle showing the new design;
FIG. 2 is a bottom-rear perspective view thereof;
FIG. 3 is a front view thereof;
FIG. 4 is a back view thereof;
FIG. 5 is a left side view thereof;
FIG. 6 is a right side view thereof;
FIG. 7 is a top view thereof; and,
FIG. 8 is a bottom view thereof.

1 Claim, 5 Drawing Sheets



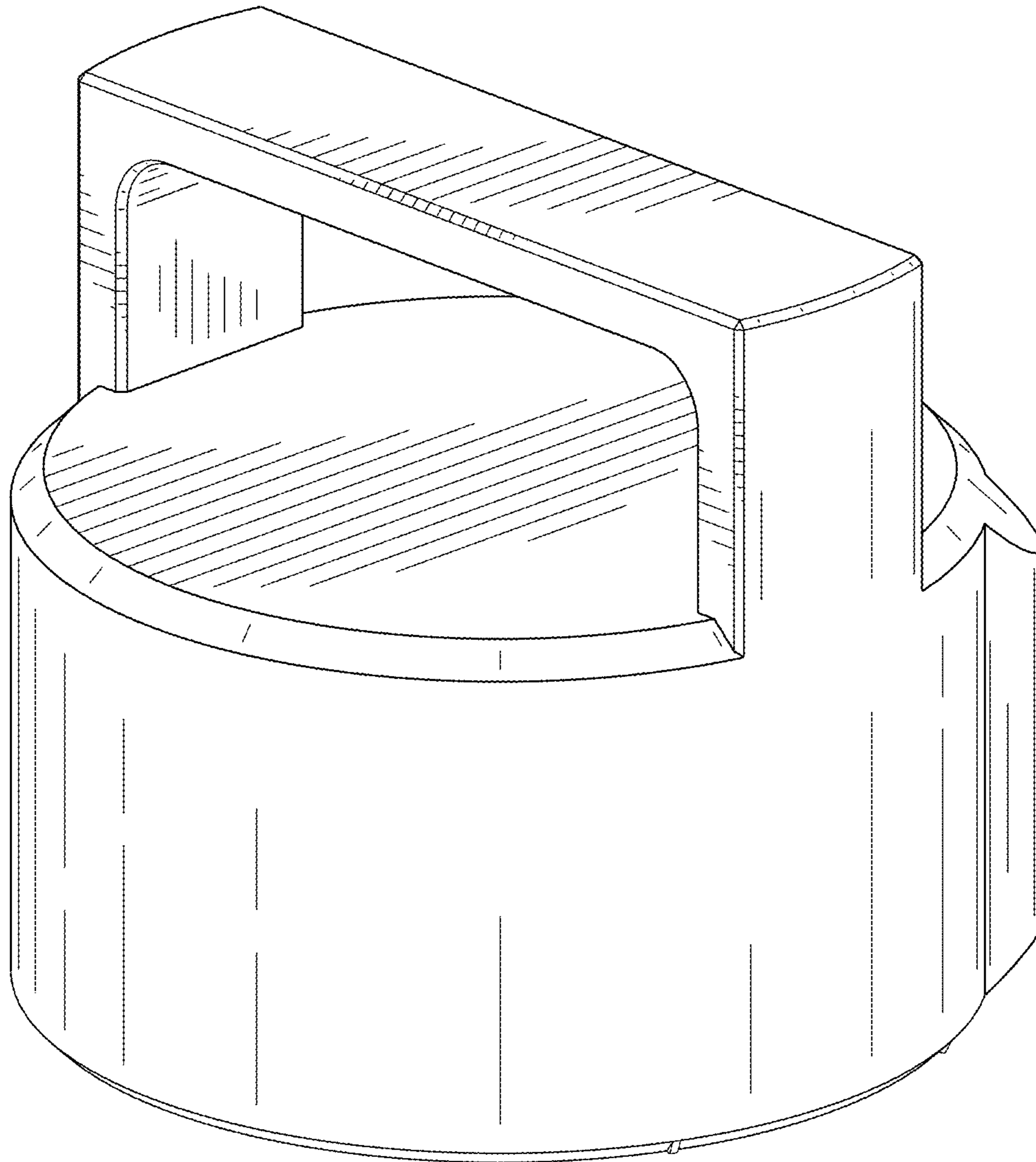


FIG. 1

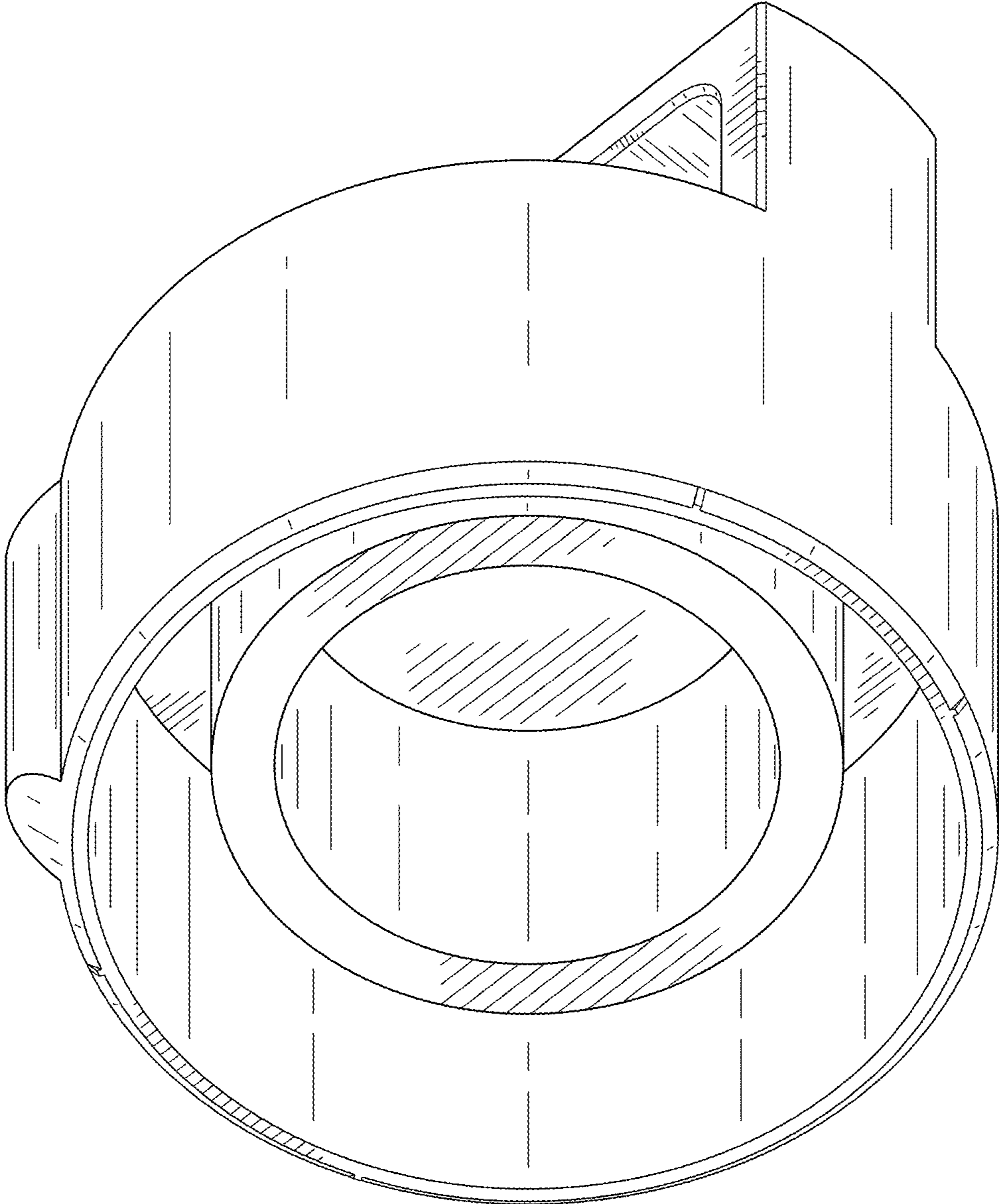


FIG. 2

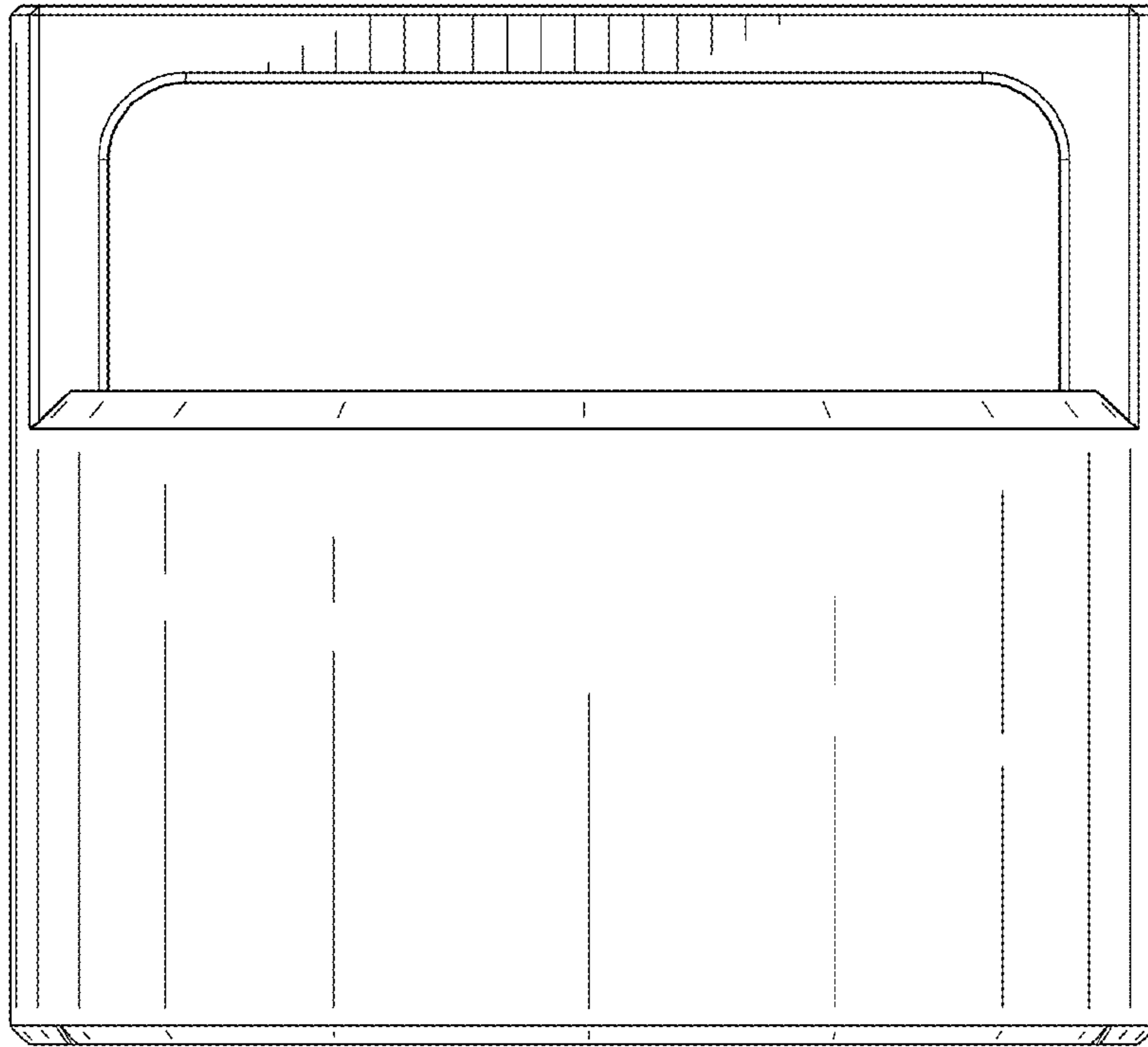


FIG. 3

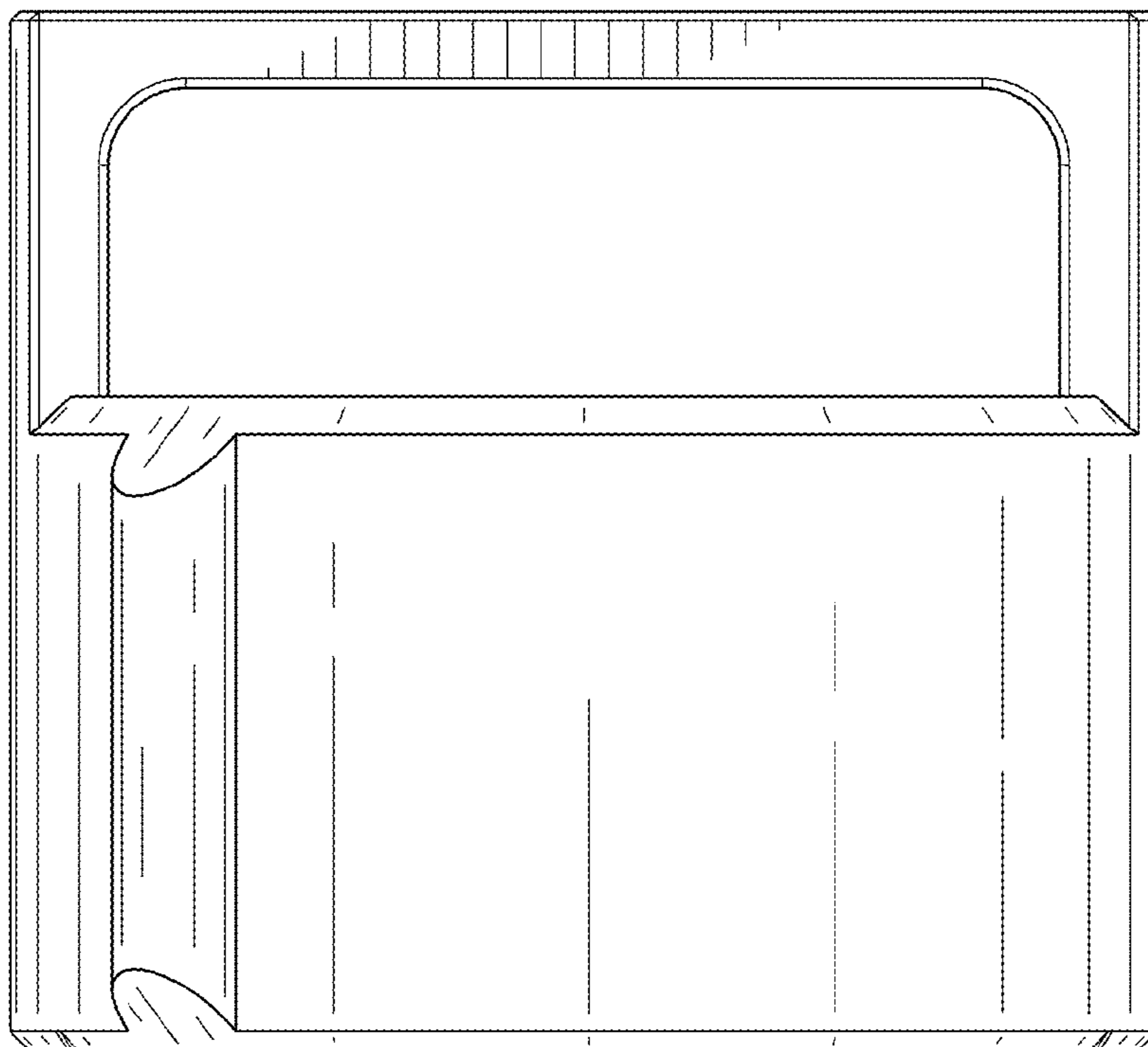


FIG. 4

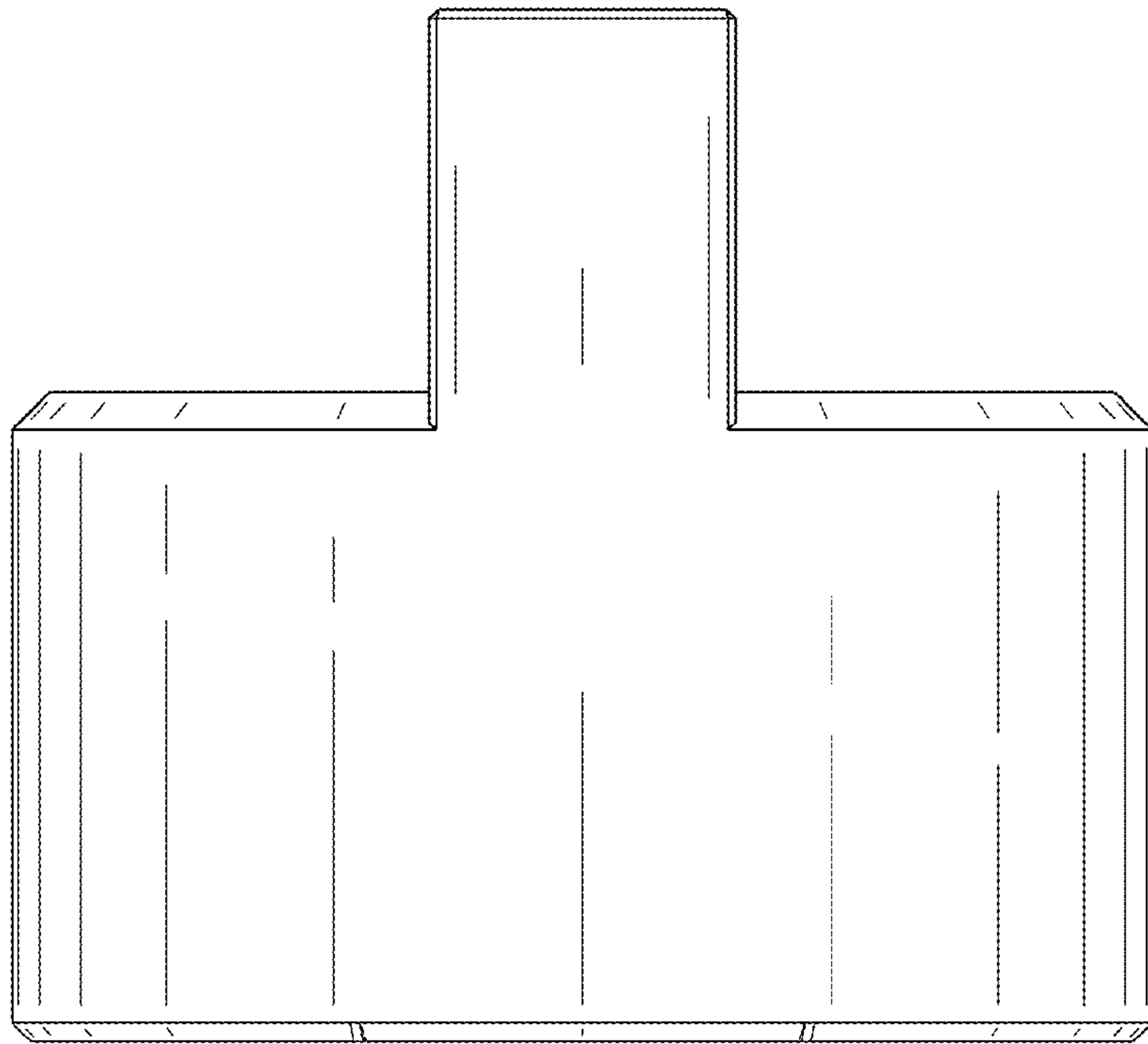


FIG. 5

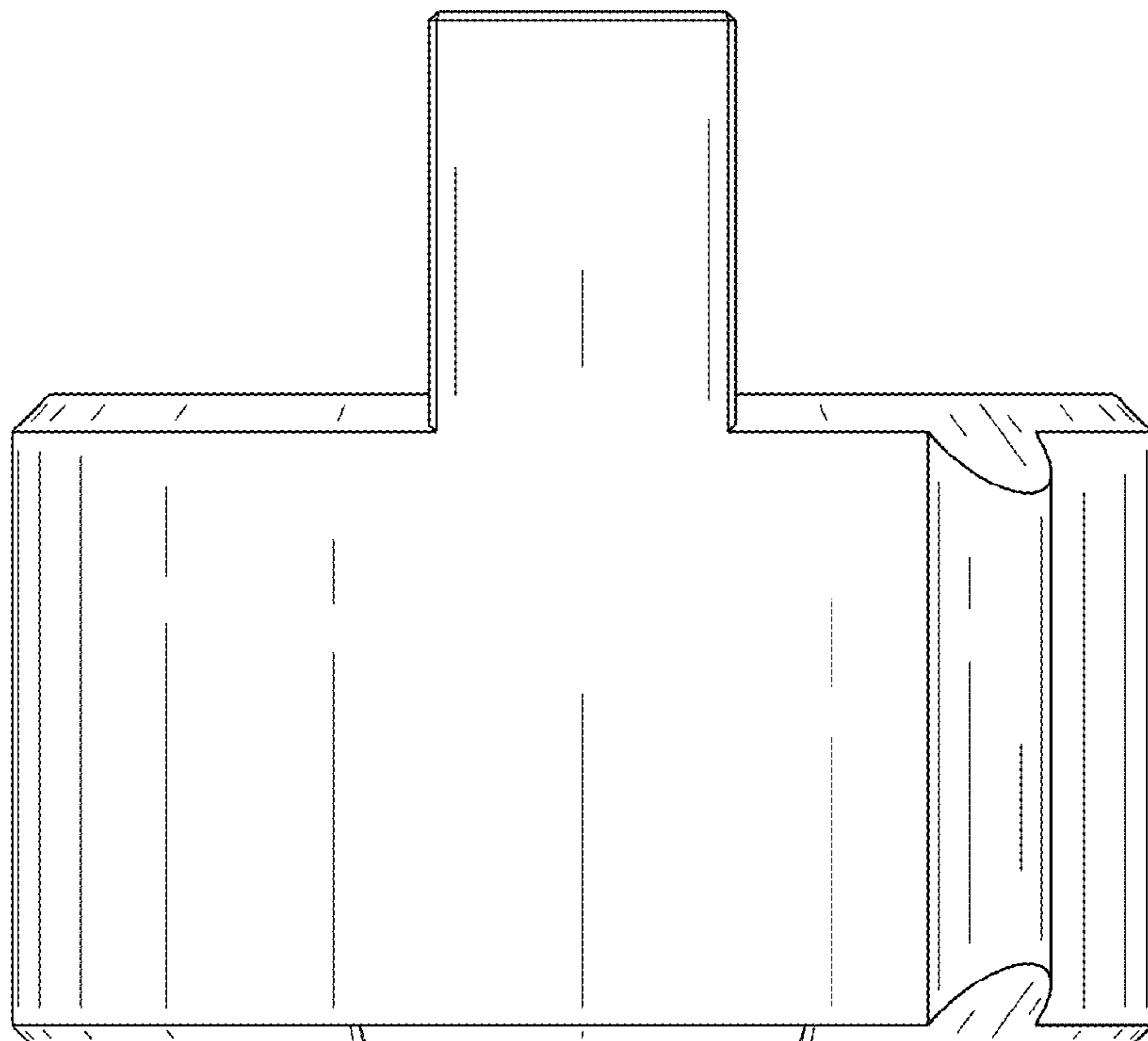


FIG. 6

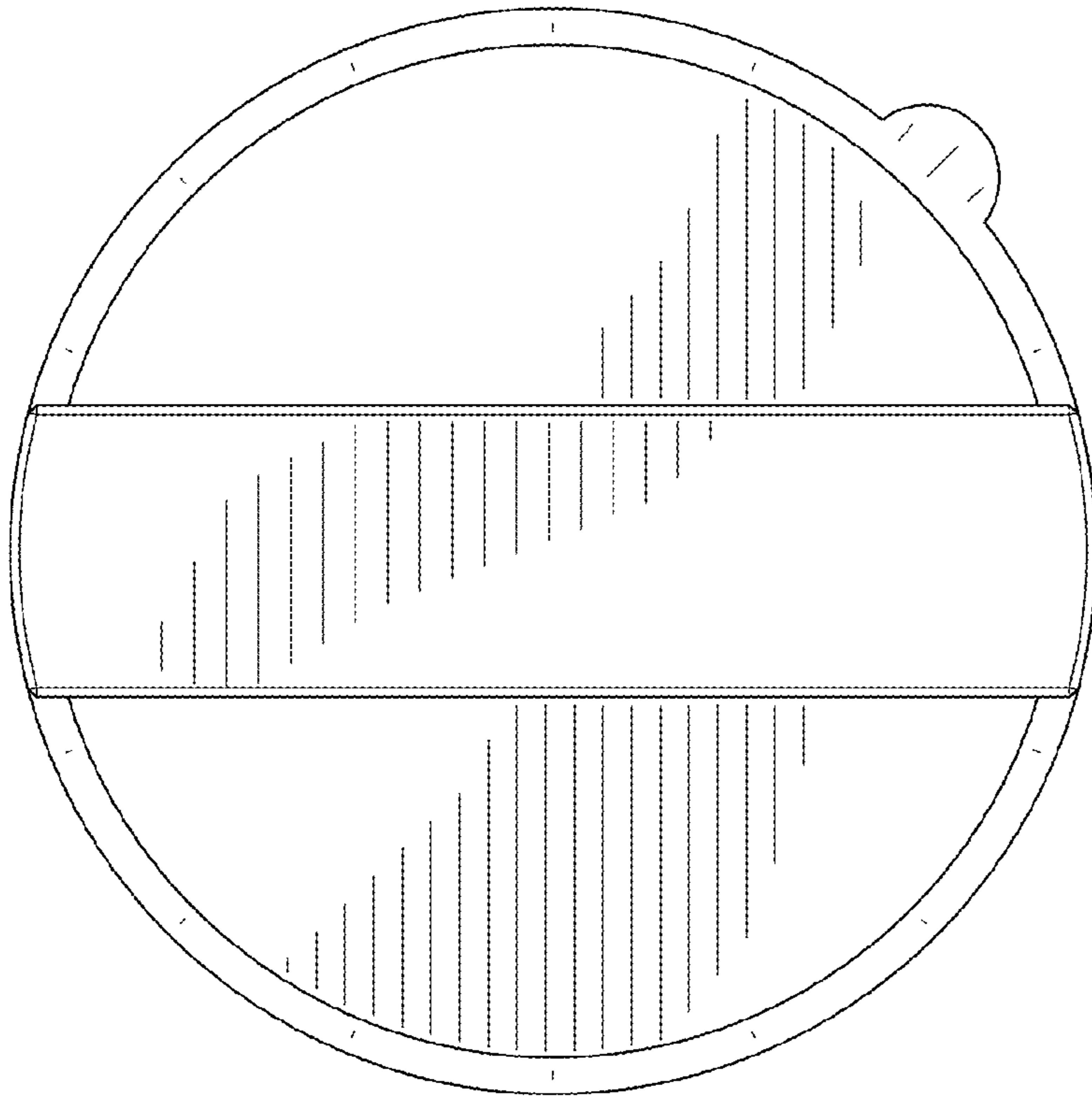


FIG. 7

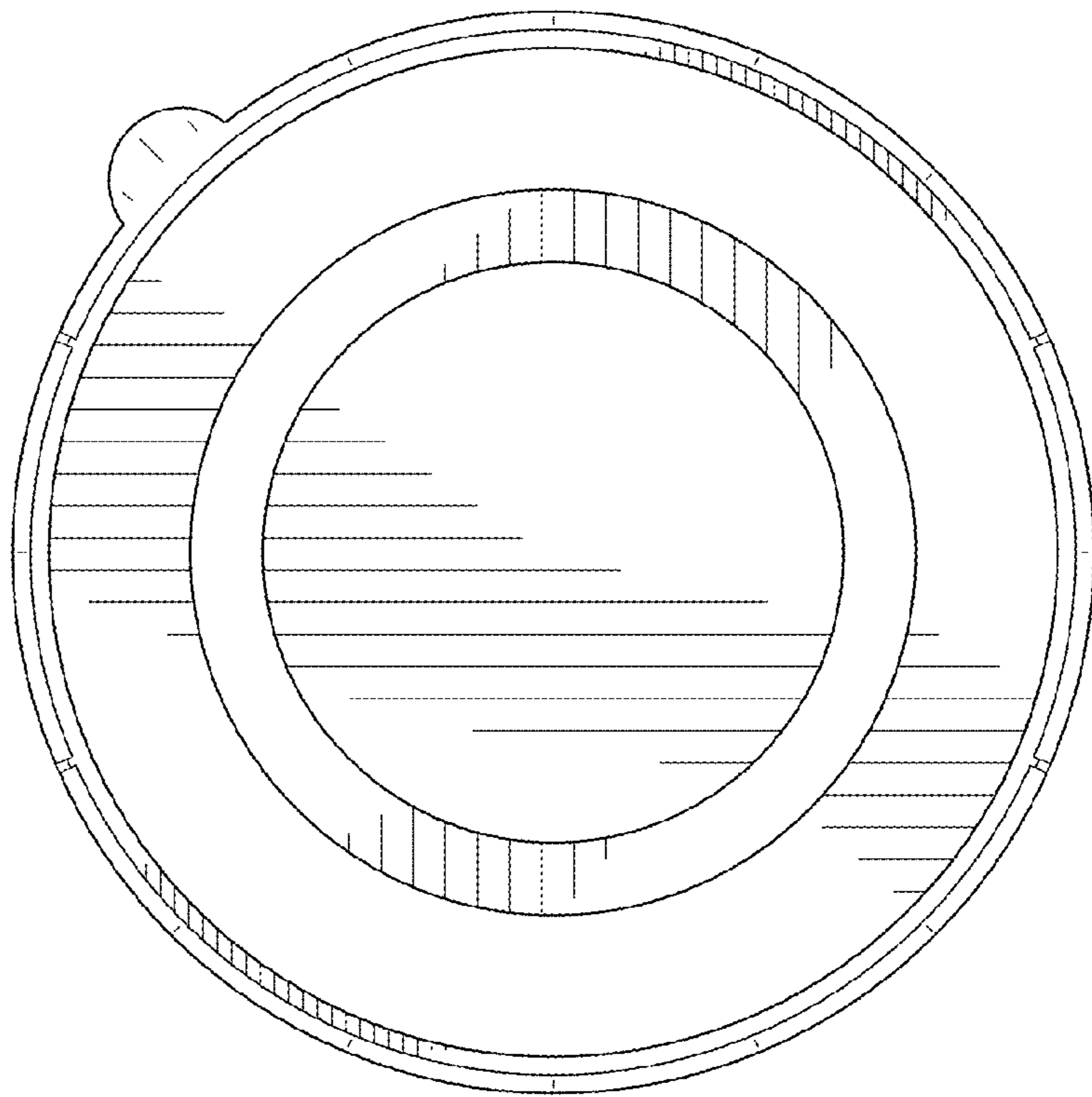


FIG. 8