



US00D988376S

(12) **United States Design Patent**
Hong et al.

(10) **Patent No.:** **US D988,376 S**
(45) **Date of Patent:** **** Jun. 6, 2023**

(54) **3D PRINTER**

(71) Applicants: **Yingsheng Hong**, Guangdong (CN);
Guihua He, Guangdong (CN);
Qichuan Xu, Guangdong (CN)

(72) Inventors: **Yingsheng Hong**, Guangdong (CN);
Guihua He, Guangdong (CN);
Qichuan Xu, Guangdong (CN)

(73) Assignee: **Shenzhen Elegoo Technology Co., Ltd.**, Guangdong (CN)

(**) Term: **15 Years**

(21) Appl. No.: **29/758,715**

(22) Filed: **Nov. 18, 2020**

(51) **LOC (14) Cl.** **15-09**

(52) **U.S. Cl.**
USPC **D15/122**

(58) **Field of Classification Search**
USPC D15/122, 135, 141; D18/50
CPC B29C 64/00; B29C 64/20; B29C 64/25;
B29C 64/40; B29C 64/106; B29C 64/118;
B29C 64/209; B32B 18/00; B33Y 10/00;
B33Y 30/00; B33Y 70/00; B33Y 80/00;
B29L 2031/767
See application file for complete search history.

(56) **References Cited**

U.S. PATENT DOCUMENTS

D861,749 S * 10/2019 Besim D15/122
D899,471 S * 10/2020 Liu D15/122
D925,634 S * 7/2021 Liu D15/199
D933,723 S * 10/2021 Chen D15/122

D958,236 S * 7/2022 Wu D18/50
2019/0022933 A1 * 1/2019 Ho B29C 64/232
2019/0061265 A1 * 2/2019 Ho B33Y 50/02
2021/0206074 A1 * 7/2021 Lee B29C 64/25

OTHER PUBLICATIONS

Elegoo Neptune 2S 3D Printer, available in Amazon.com, customer review oldest date [Jun. 9, 2021], [Sep. 15, 2022], Available from the internet URL: https://www.amazon.com/ELEGOO-Neptune-2S-Extruder-220x220x250mm/dp/B09B9NNSY1/ref=sr_1_4?crd=NTQUNYT2P9YC&keywords=elegoo%2Bneptune%2B2s%2B3d%2Bprinter&q (Year: 2021).*

* cited by examiner

Primary Examiner — Calvin E Vansant

Assistant Examiner — Eidiol Ghigliotty Torres

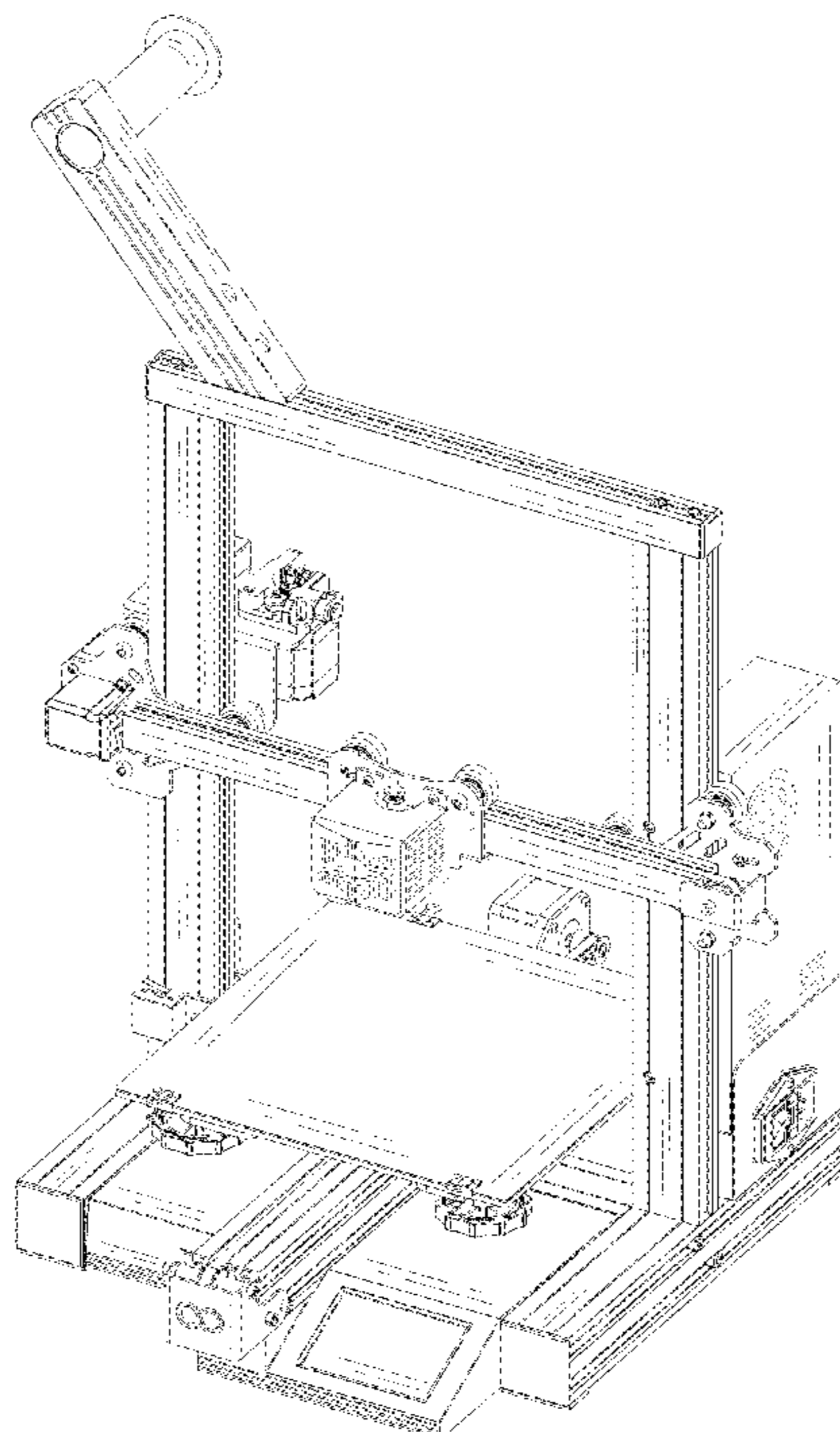
(57) **CLAIM**

The ornamental design for a 3D printer, as shown and described.

DESCRIPTION

FIG. 1 is a perspective view of a 3D printer showing my new design;
FIG. 2 is a front elevational view thereof;
FIG. 3 is a rear elevational view thereof;
FIG. 4 is a left side elevational view thereof;
FIG. 5 is a right side elevational view thereof;
FIG. 6 is a bottom plan view thereof; and,
FIG. 7 is a top plan view thereof.
The broken lines in the drawings depict portions of the 3D printer that form no part of the claimed design.

1 Claim, 7 Drawing Sheets



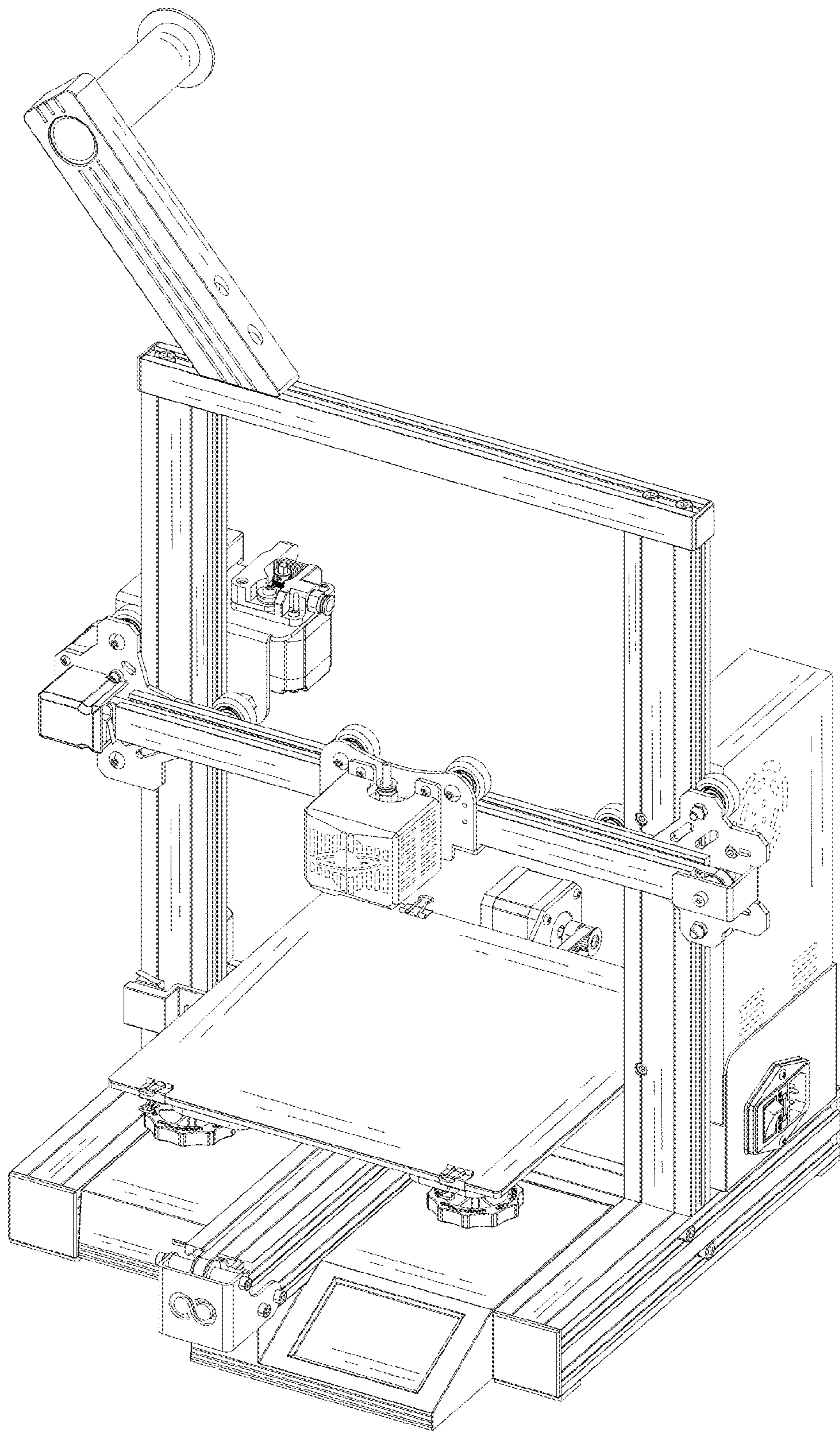


FIG. 1

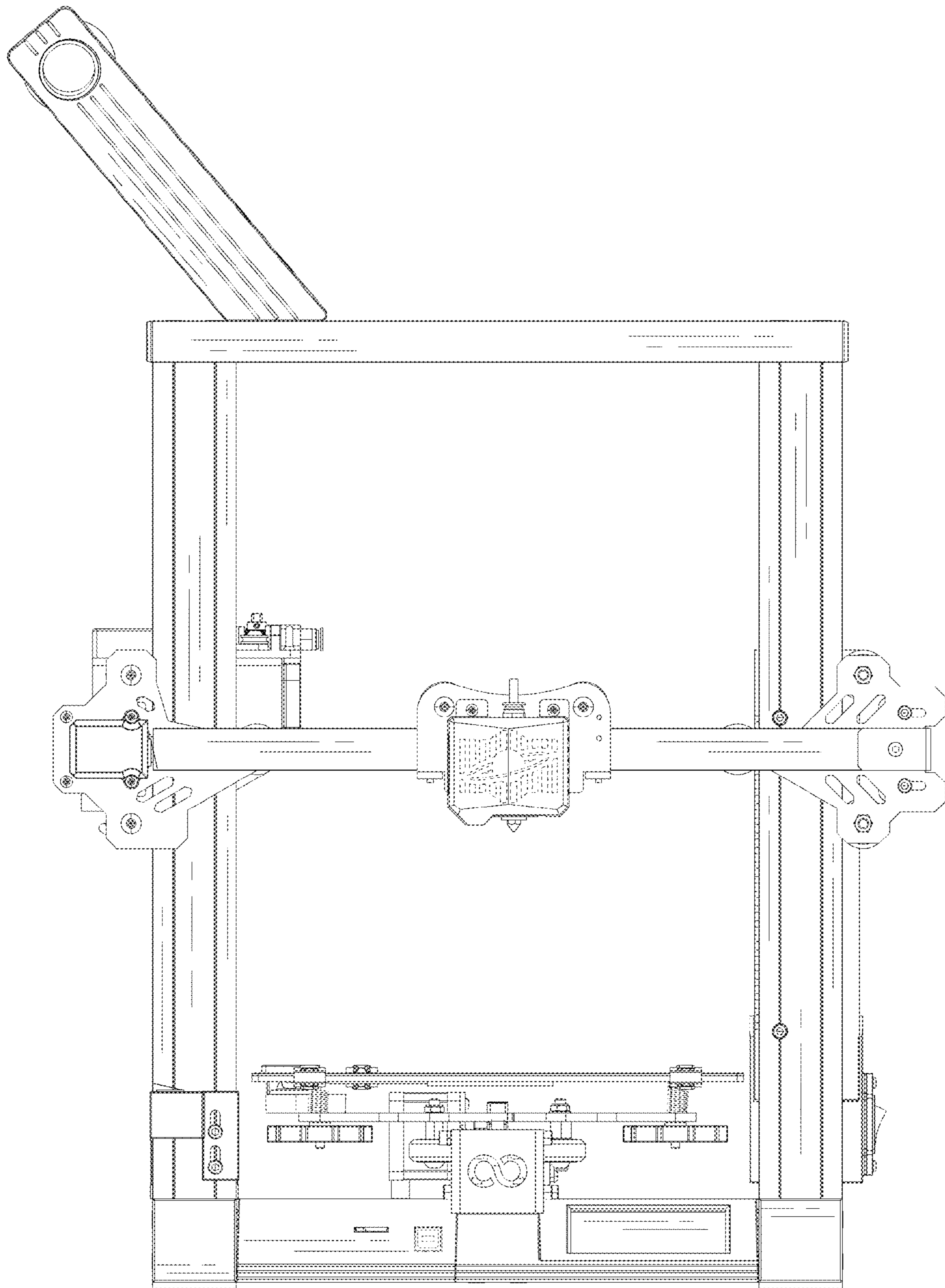


FIG. 2

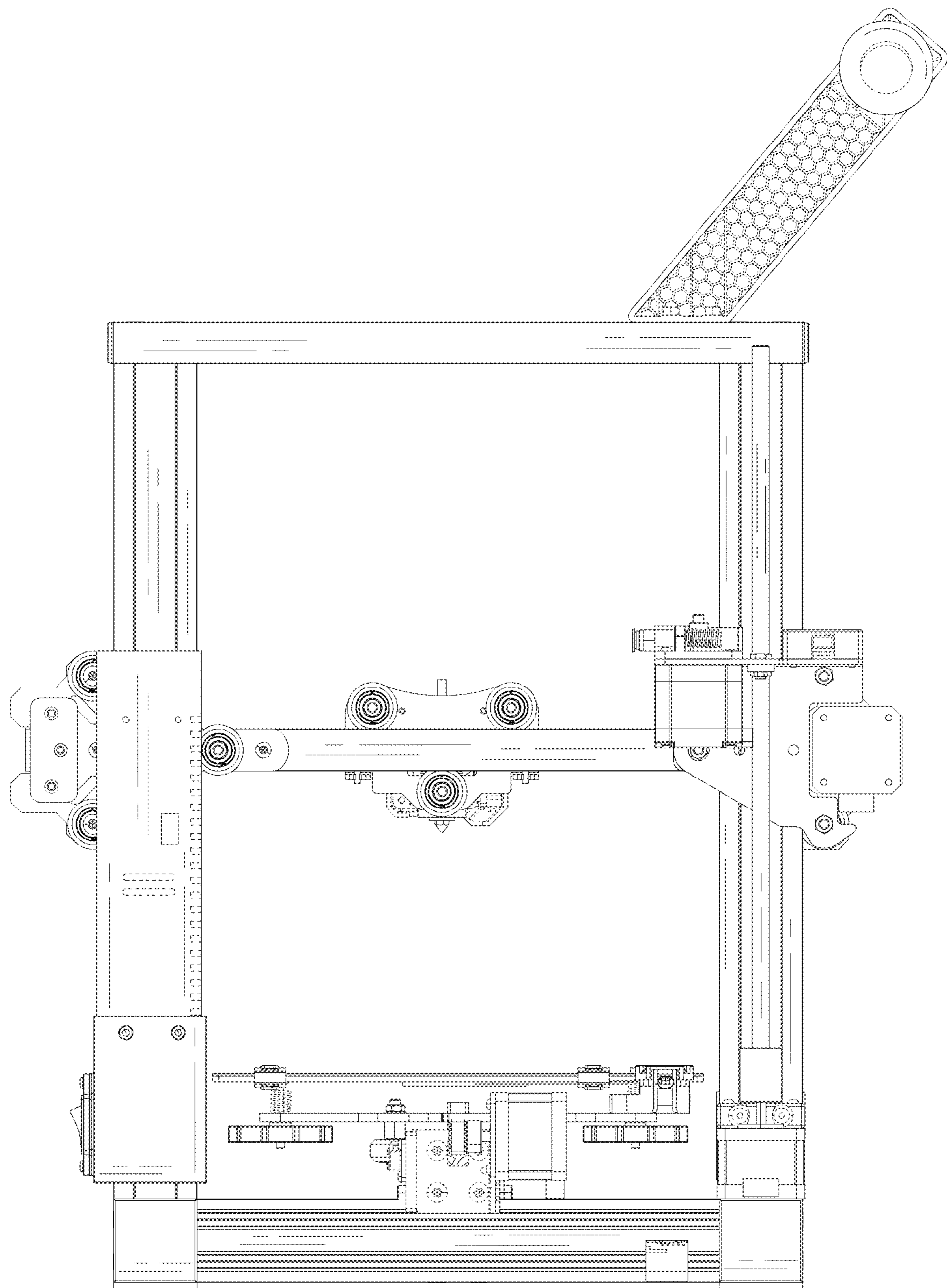


FIG. 3

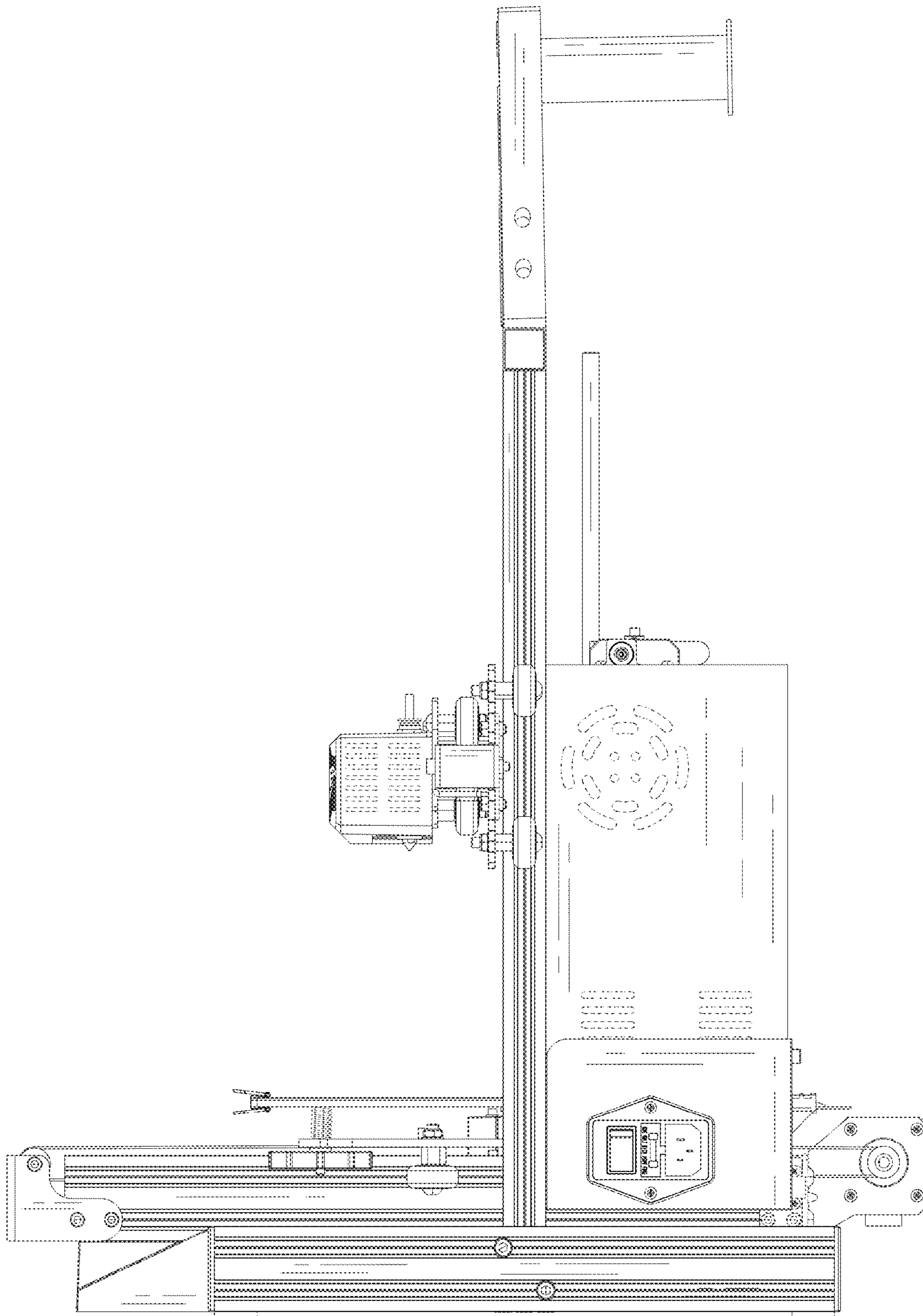


FIG. 4

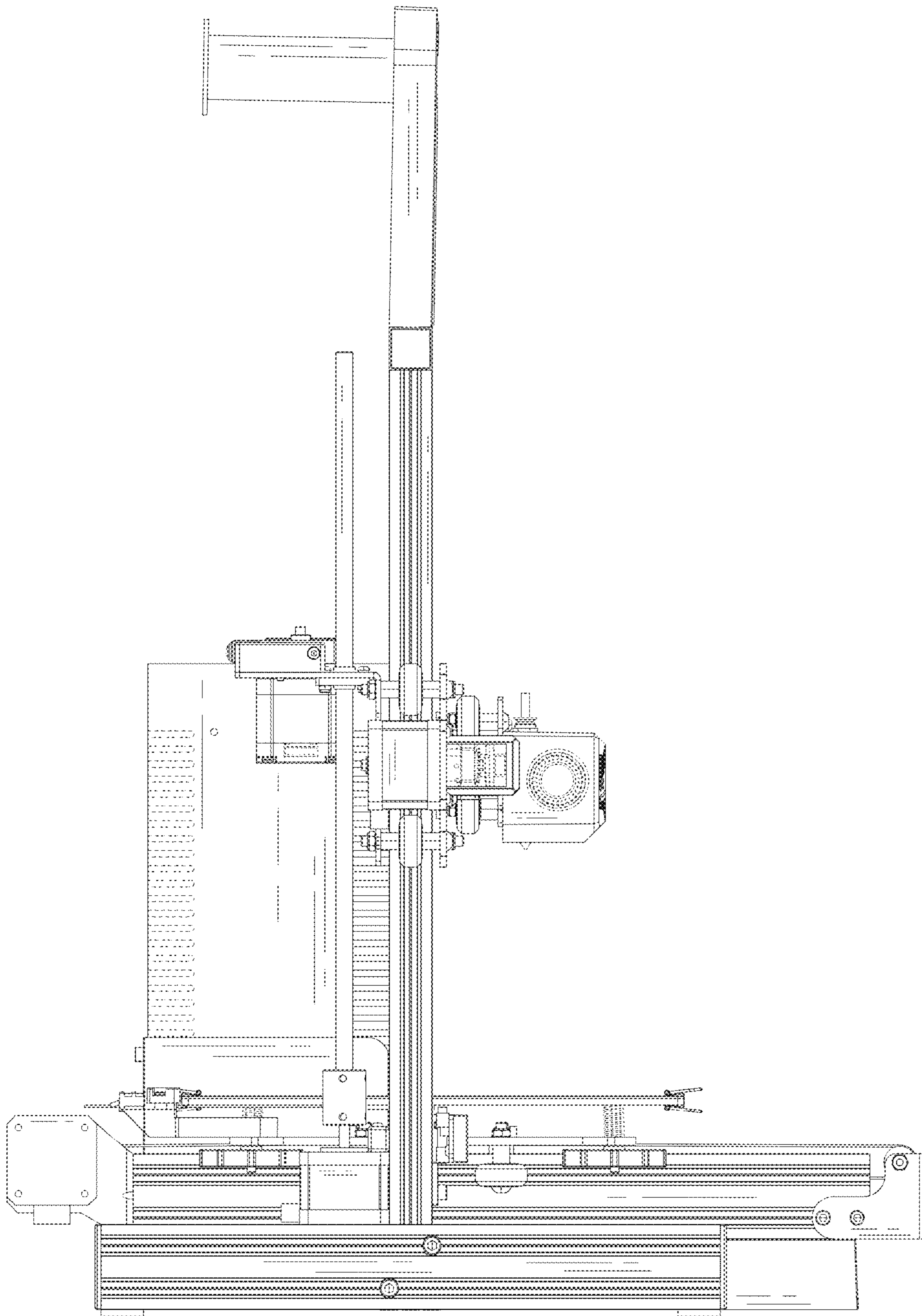


FIG. 5

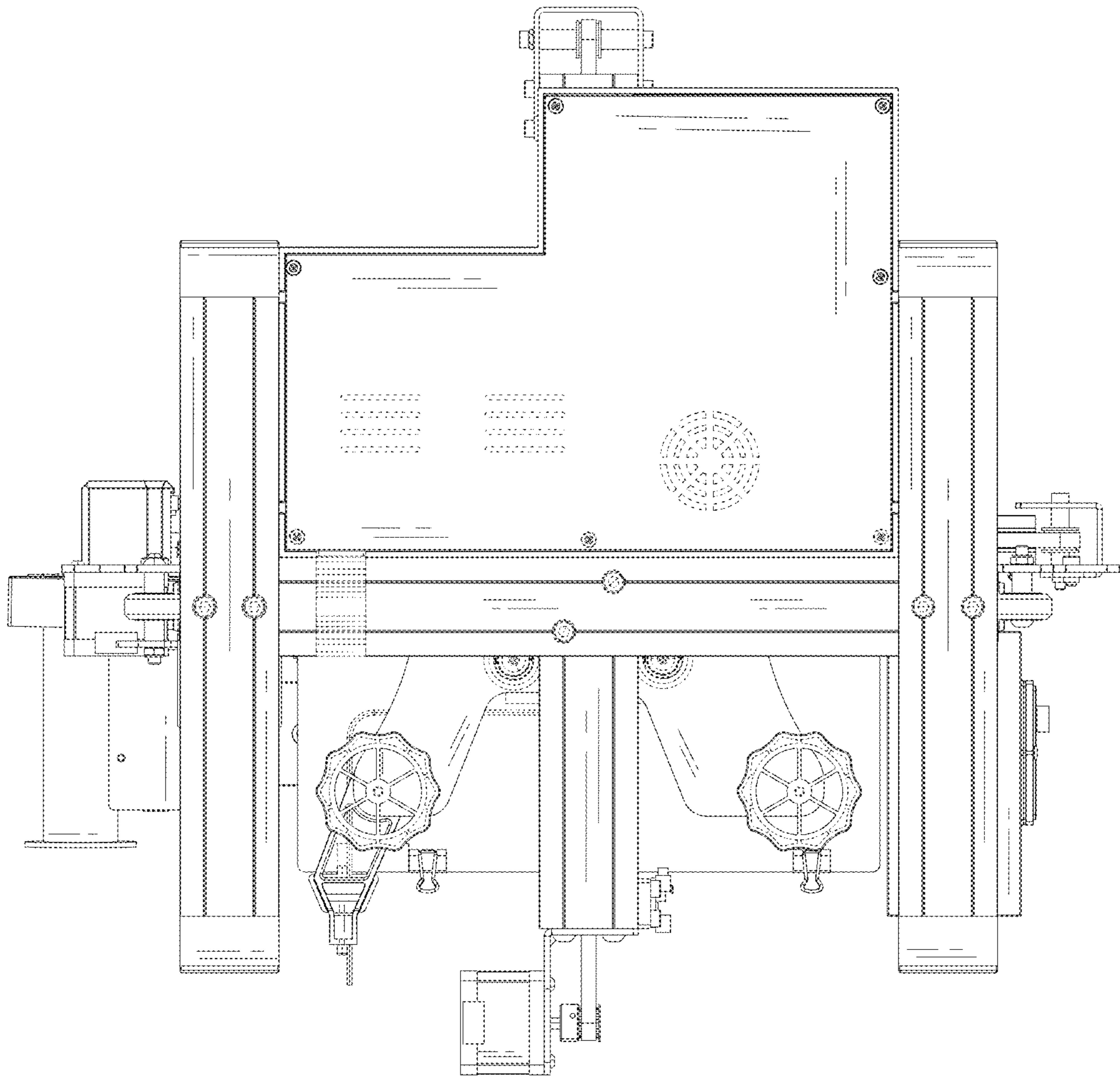


FIG. 6

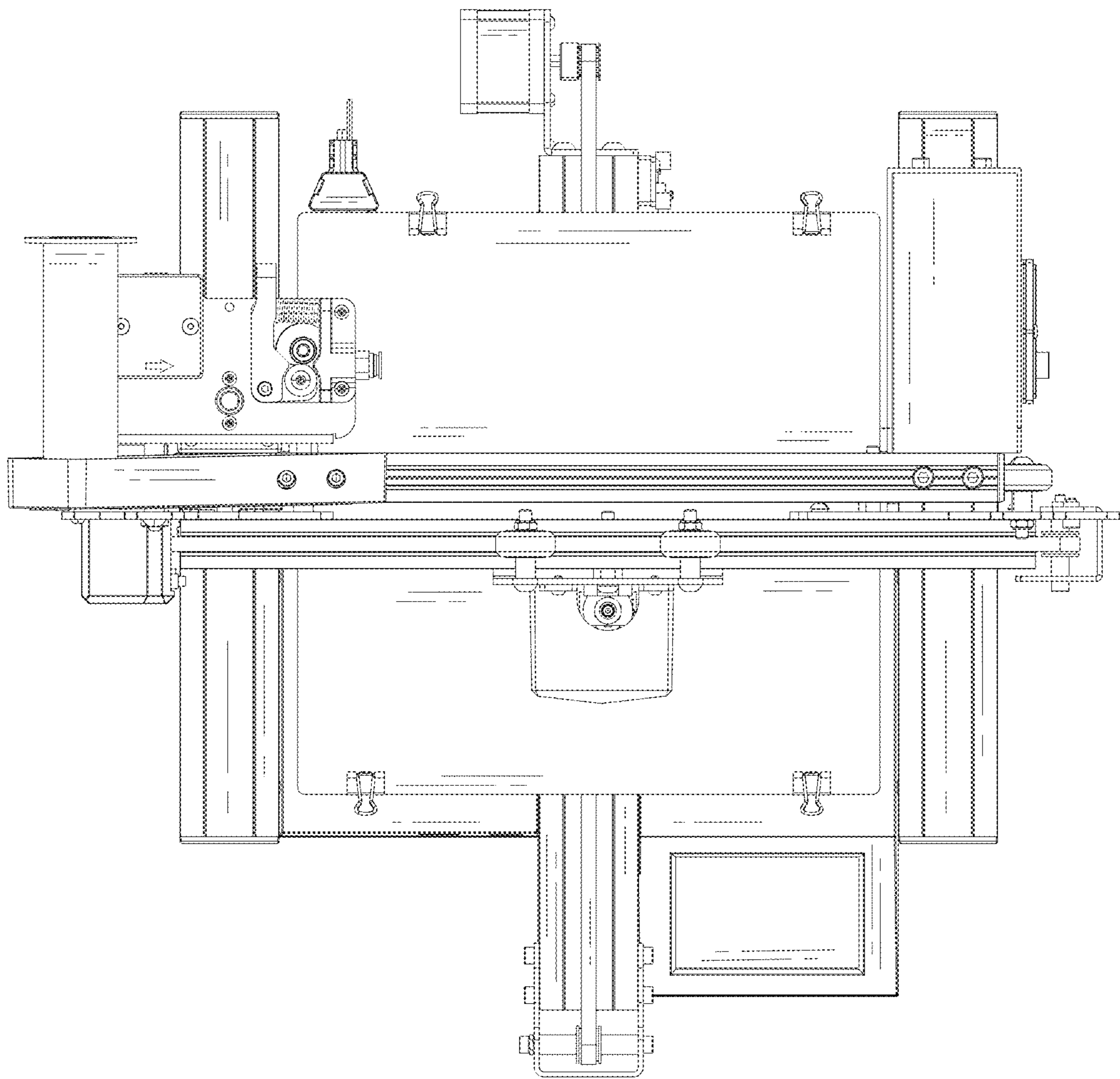


FIG. 7