



US00D988373S

(12) **United States Design Patent** (10) **Patent No.:** **US D988,373 S**
Masuda et al. (45) **Date of Patent:** **** Jun. 6, 2023**

(54) **TRACTOR**

(56) **References Cited**

(71) Applicant: **Kubota Corporation**, Osaka (JP)
(72) Inventors: **Ryo Masuda**, Osaka (JP); **Wataru Sasaki**, Osaka (JP); **Hiroyuki Sakai**, Osaka (JP); **Yoshitaka Higashikawa**, Osaka (JP); **Taiki Furuki**, Osaka (JP); **Tomonori Kaneko**, Osaka (JP); **Yutaka Araki**, Osaka (JP)
(73) Assignee: **Kubota Corporation**, Osaka (JP)
(**) Term: **15 Years**
(21) Appl. No.: **29/806,317**
(22) Filed: **Sep. 2, 2021**

U.S. PATENT DOCUMENTS

3,741,331 A * 6/1973 Kowalik B62D 55/0655
D15/24
D329,435 S 9/1992 Katoh et al.
D387,068 S 12/1997 Kato et al.
D391,581 S 3/1998 Kato et al.
6,116,362 A * 9/2000 Schubert B62D 12/00
180/9.46
6,176,334 B1 * 1/2001 Lorenzen B62D 21/14
464/134
6,199,646 B1 * 3/2001 Tani B62D 55/104
180/9.5

(Continued)

OTHER PUBLICATIONS

Kubota taps Nvidia tech for smart-farming autonomous tractors (Year: 2020).*

Primary Examiner — Richard E Chilcot
(74) *Attorney, Agent, or Firm* — The Webb Law Firm

(57) **CLAIM**

The ornamental design for a tractor, as shown and described.

DESCRIPTION

FIG. 1 is a front elevation view of a tractor, showing our new design;
FIG. 2 is a rear elevation view thereof;
FIG. 3 is a left side elevation view thereof;
FIG. 4 is a right side elevation view thereof;
FIG. 5 is a top view thereof;
FIG. 6 is an upper left front perspective view thereof; and,
FIG. 7 is an upper right rear perspective view thereof.
A bottom view is omitted because it is plain and unornamental and forms no part of the subject matter of the claimed design.
The portions of the tractor shown in broken lines form no part of the claimed design.

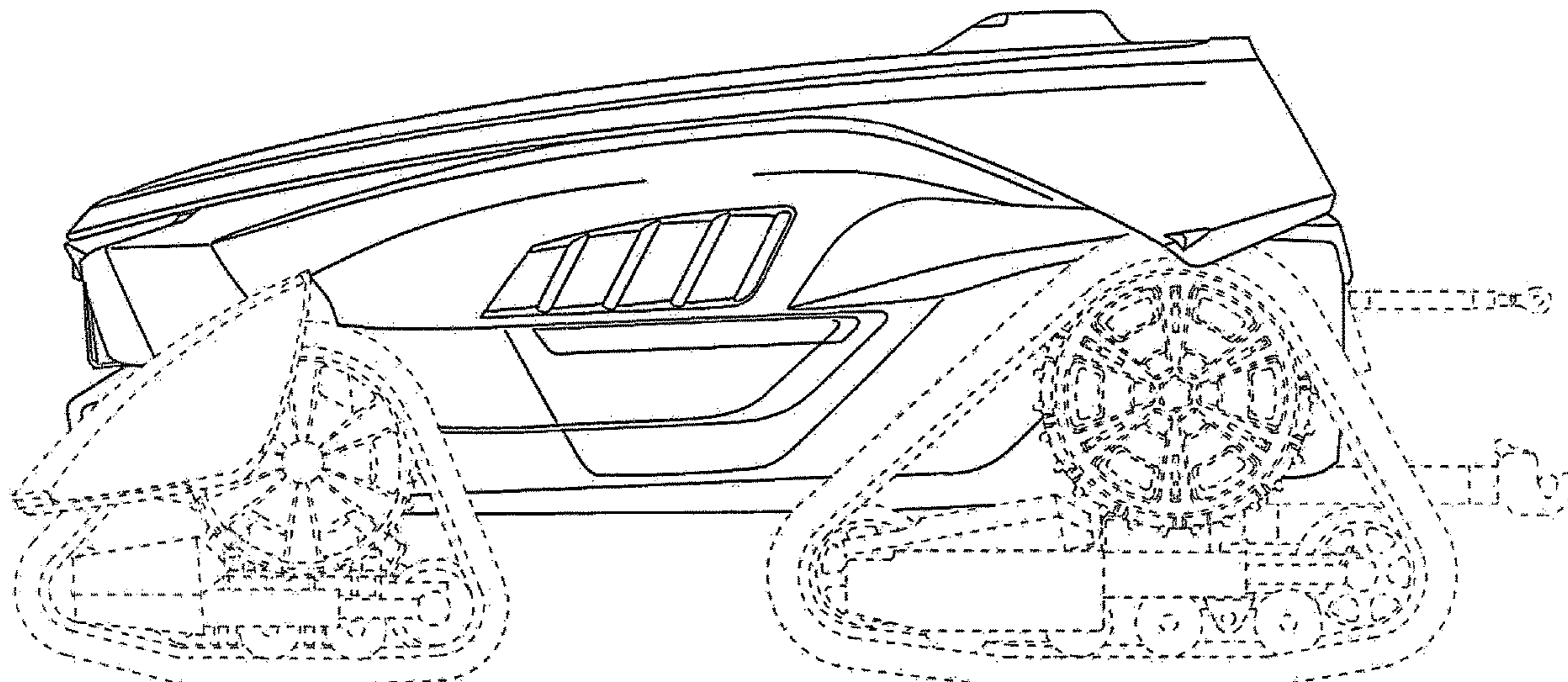
Related U.S. Application Data

(62) Division of application No. 35/509,966, filed on Jun. 17, 2020 (U.S. filing date under 35 U.S.C. 384), and having an international filing date of Jun. 17, 2020, now Pat. No. Des. 937,908.

Foreign Application Priority Data

(30) Jan. 14, 2020 (JP) 2020-000405
Jan. 14, 2020 (JP) 2020-000406
(51) **LOC (14) Cl.** **12-09**
(52) **U.S. Cl.**
USPC **D15/33**; D15/199
CPC **B62D 55/12** (2013.01)
(58) **Field of Classification Search**
USPC D15/10, 14, 15, 22-26, 33, 199;
180/69.2, 89.1, 89.12, 900; 56/10.1, 12,
56/15.8, 16.7, 13.3, 202, 320.1
CPC B62D 55/12; B62D 55/104; B62D 55/30;
B62D 55/10; B62D 55/14; B62D 55/112;
B62D 55/116; B62D 55/065
See application file for complete search history.

1 Claim, 7 Drawing Sheets



(56)

References Cited

U.S. PATENT DOCUMENTS

D440,234 S 4/2001 Katoh et al.
 D497,621 S 10/2004 Inaoka et al.
 D498,245 S 11/2004 Kuwae et al.
 D514,596 S * 2/2006 Radke D15/25
 D519,130 S 4/2006 Higashikawa et al.
 D519,131 S 4/2006 Kuwae et al.
 D527,026 S 8/2006 Kuwae et al.
 D540,829 S * 4/2007 Johnson D15/25
 D555,674 S 11/2007 Kuwae
 D559,278 S * 1/2008 Tsujita D15/24
 D587,727 S * 3/2009 Vos B62D 55/065
 D15/24
 D602,047 S 10/2009 Kushita et al.
 D604,749 S 11/2009 Kushita et al.
 D614,204 S * 4/2010 Thompson D15/24
 D630,654 S * 1/2011 Thompson D15/31
 D641,027 S 7/2011 Kawashiri et al.
 D668,270 S 10/2012 Kushita et al.
 D674,819 S 1/2013 Hagele
 D693,374 S 11/2013 Chlystek et al.
 D693,375 S 11/2013 Chlystek et al.
 D703,699 S 4/2014 Shimomura et al.
 D708,232 S 7/2014 Furuki et al.
 8,801,115 B2 * 8/2014 Hansen B62D 49/0635
 180/9.26
 D729,851 S 5/2015 Kushita et al.

D759,730 S 6/2016 Okuyama et al.
 D777,214 S 1/2017 Moritaka et al.
 D777,215 S 1/2017 Moritaka et al.
 D777,798 S 1/2017 Yetkin et al.
 D783,059 S 4/2017 Okuyama et al.
 D784,422 S 4/2017 Okuyama et al.
 D785,050 S 4/2017 Okuyama et al.
 D785,051 S 4/2017 Okuyama et al.
 D786,941 S 5/2017 Kushita
 D795,306 S * 8/2017 Erickson D15/28
 D808,441 S * 1/2018 Brueggen D15/24
 D808,442 S * 1/2018 Brueggen D15/24
 D809,570 S * 2/2018 Brueggen D15/24
 D849,060 S * 5/2019 Tullius D15/24
 D878,428 S 3/2020 Furuki et al.
 10,807,847 B2 * 10/2020 Ourada B62D 55/116
 D910,088 S 2/2021 Futagami
 D937,908 S * 12/2021 Masuda A01B 51/026
 D15/33
 D947,915 S * 4/2022 Li D15/199
 D959,502 S * 8/2022 Jacobsthal D15/24
 2004/0135433 A1 * 7/2004 Inaoka B62D 55/244
 305/157
 2006/0113121 A1 * 6/2006 Radke B62D 55/112
 180/9.44
 2022/0090345 A1 * 3/2022 Tamba E02F 9/2246
 2022/0112689 A1 * 4/2022 Inaoka E02F 9/2292
 2022/0281540 A1 * 9/2022 Gono B62D 55/0842
 2022/0315137 A1 * 10/2022 Nishi B62D 55/12

* cited by examiner

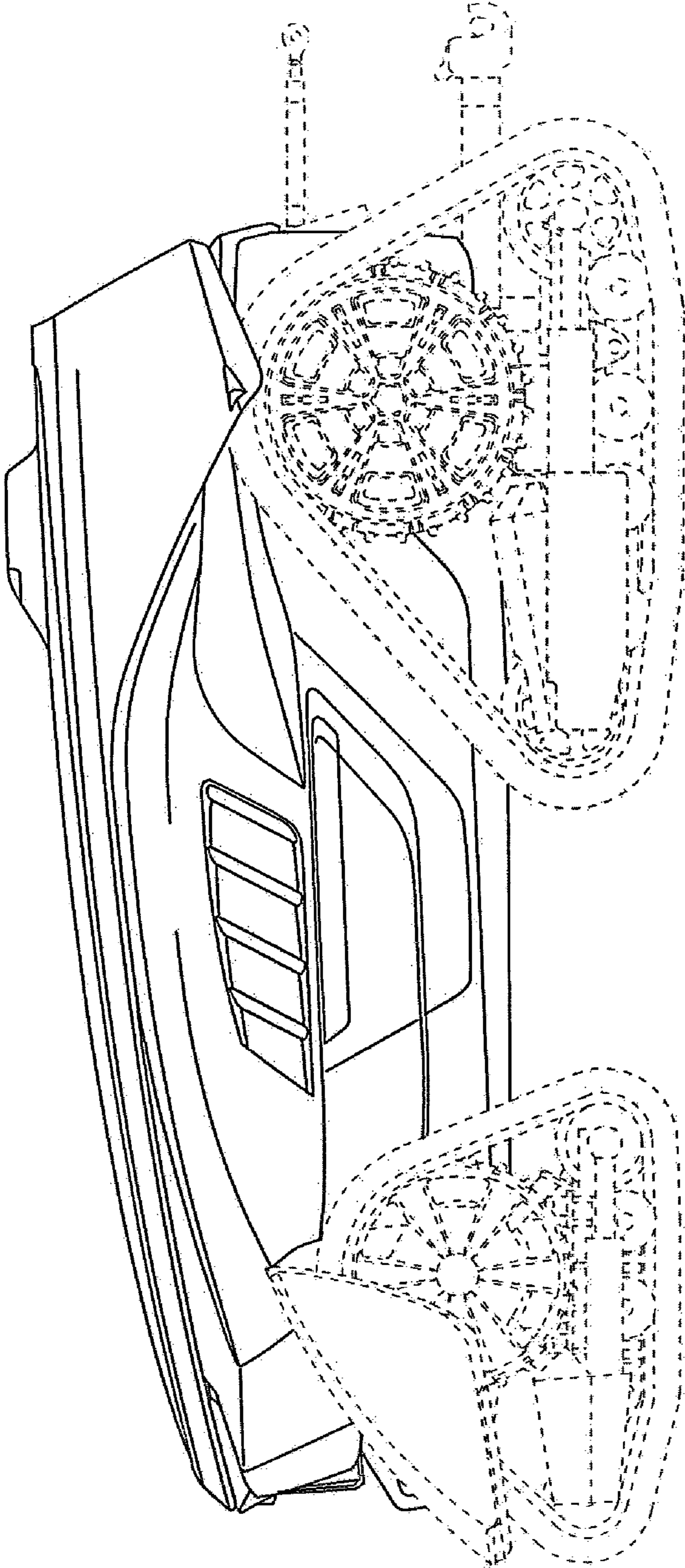


FIG. 1

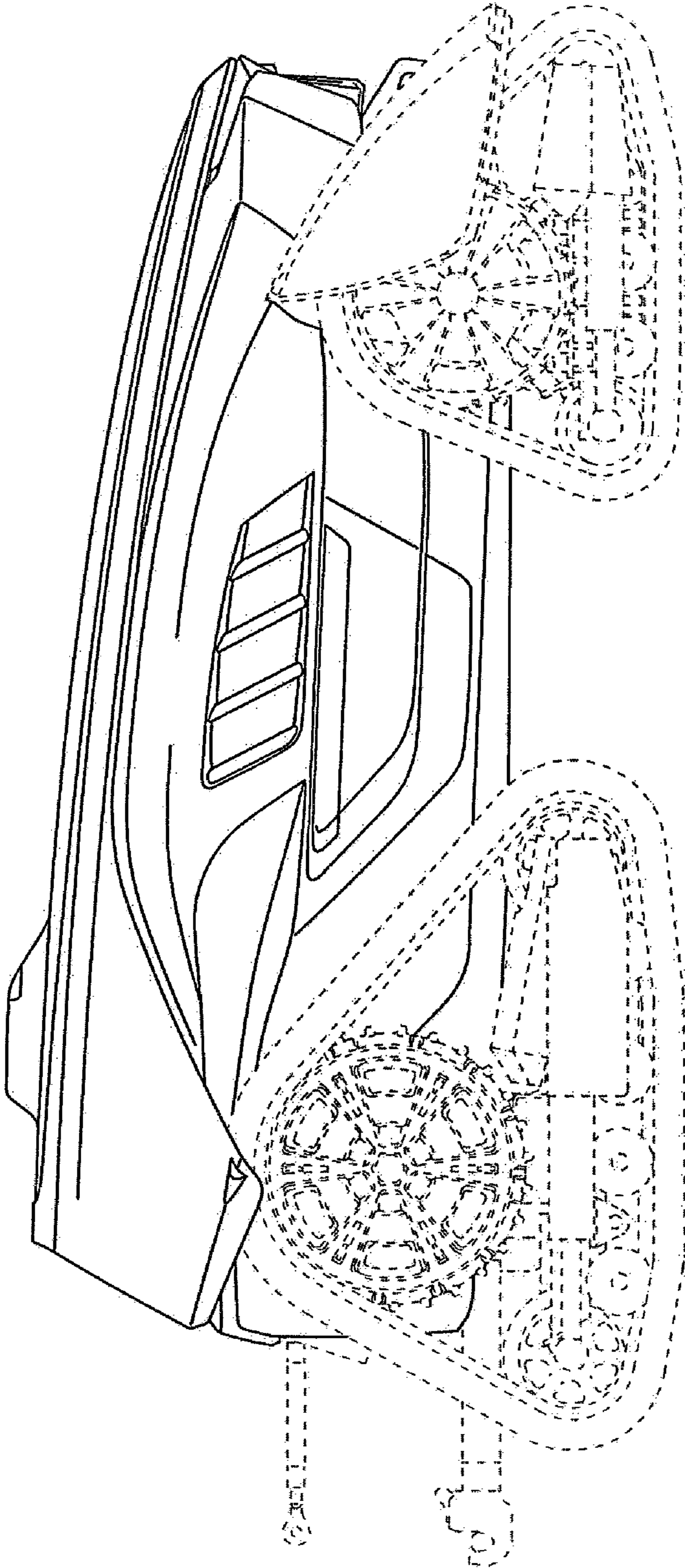


FIG. 2

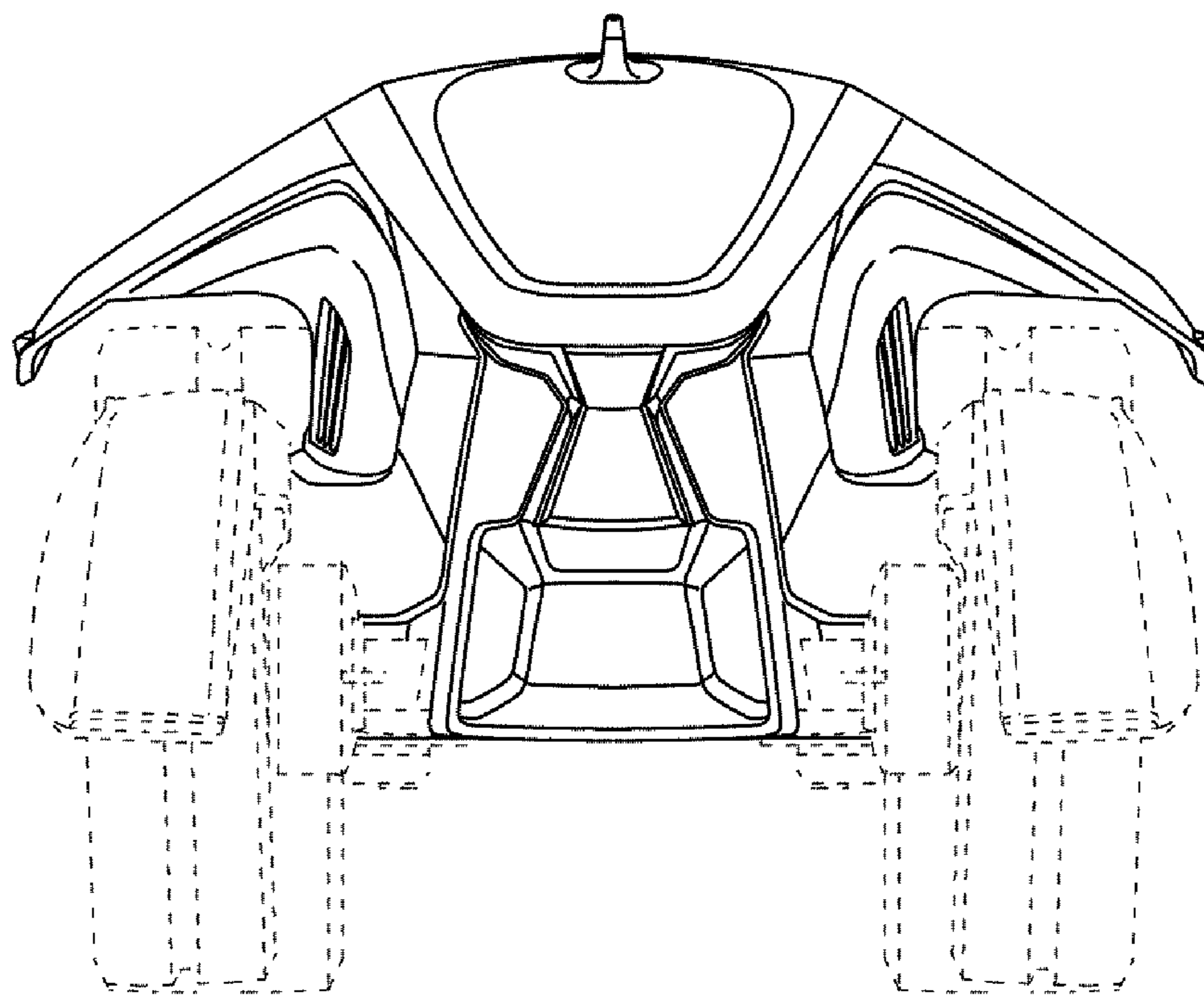


FIG. 3

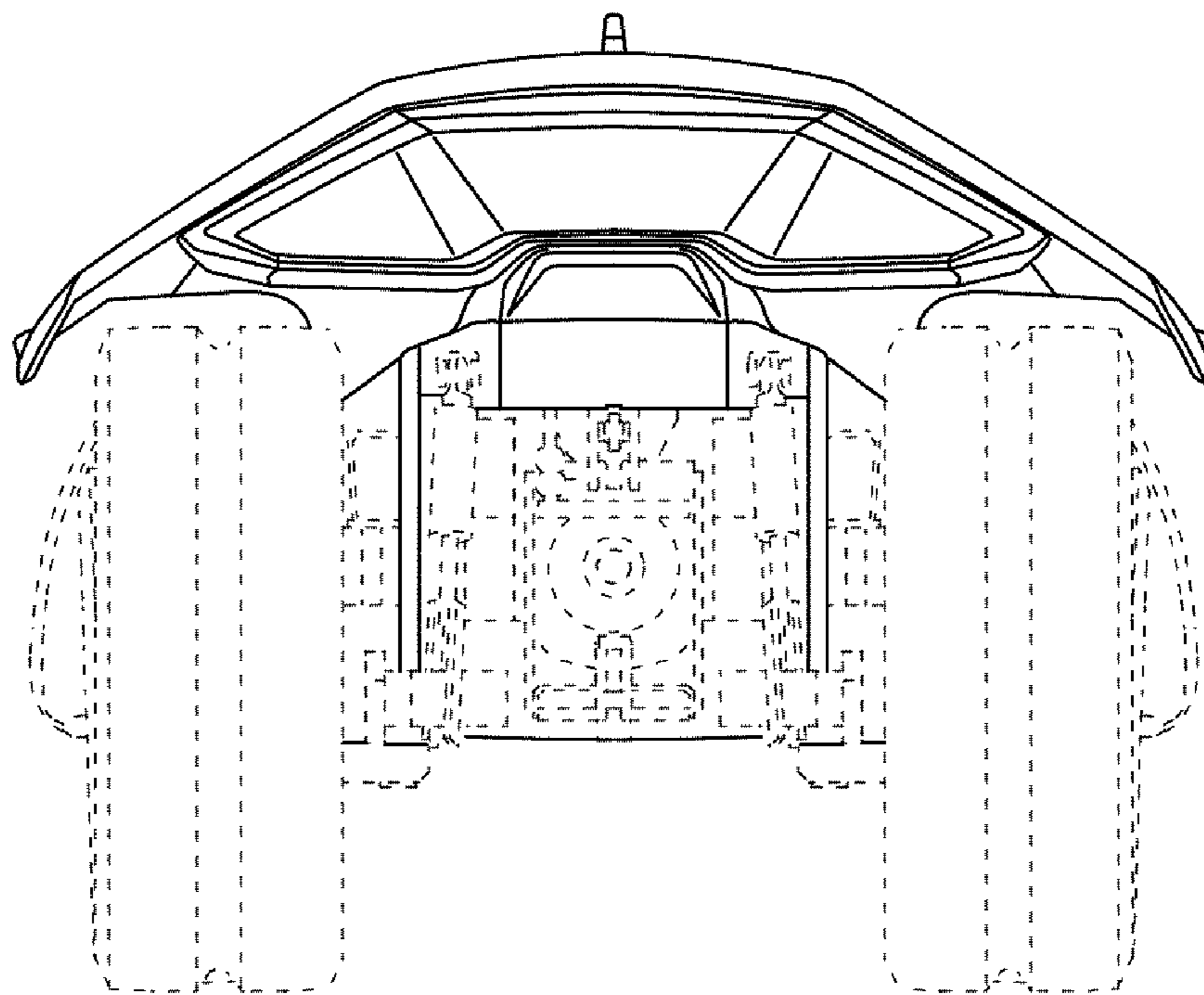


FIG. 4

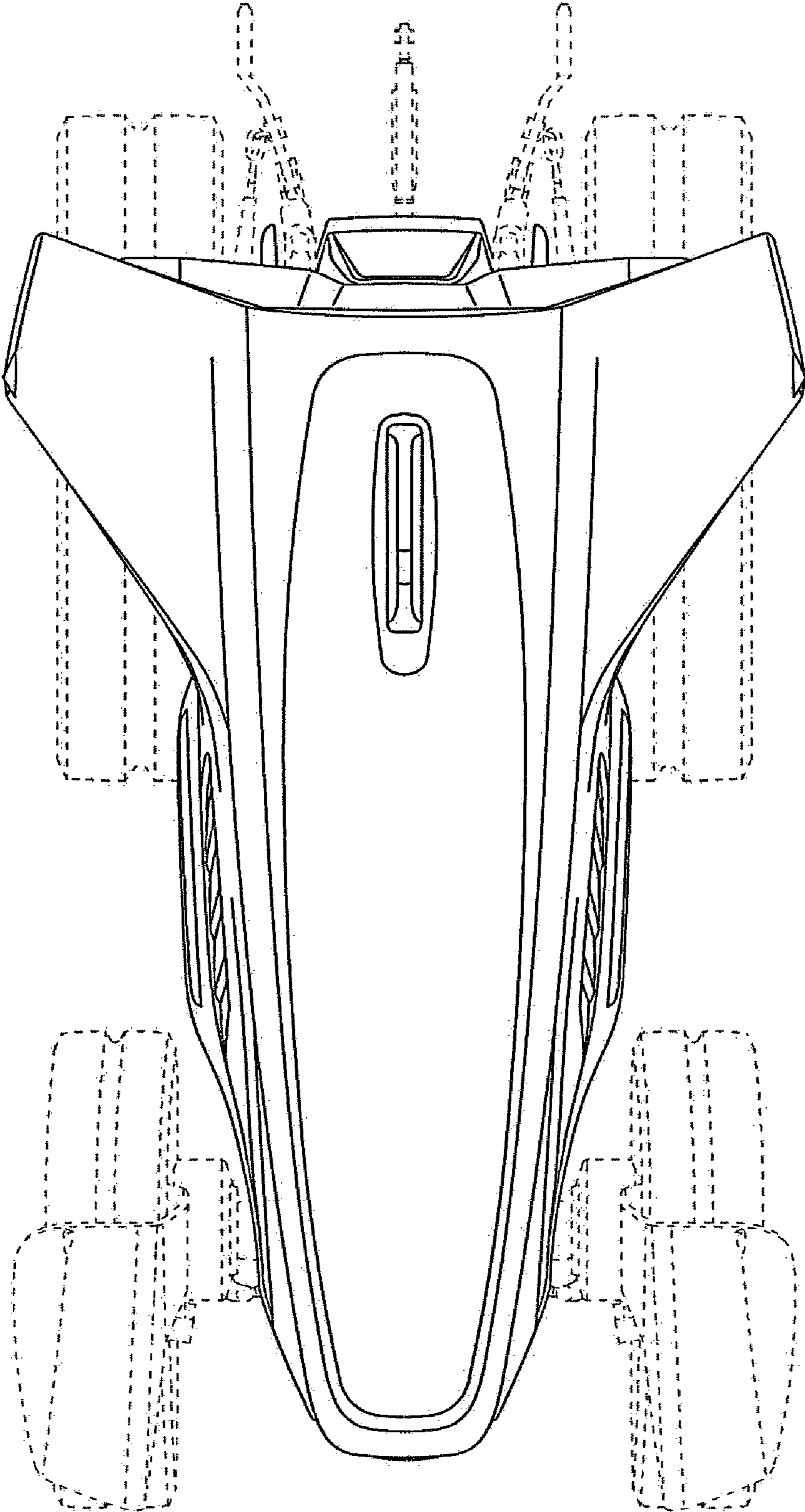


FIG. 5

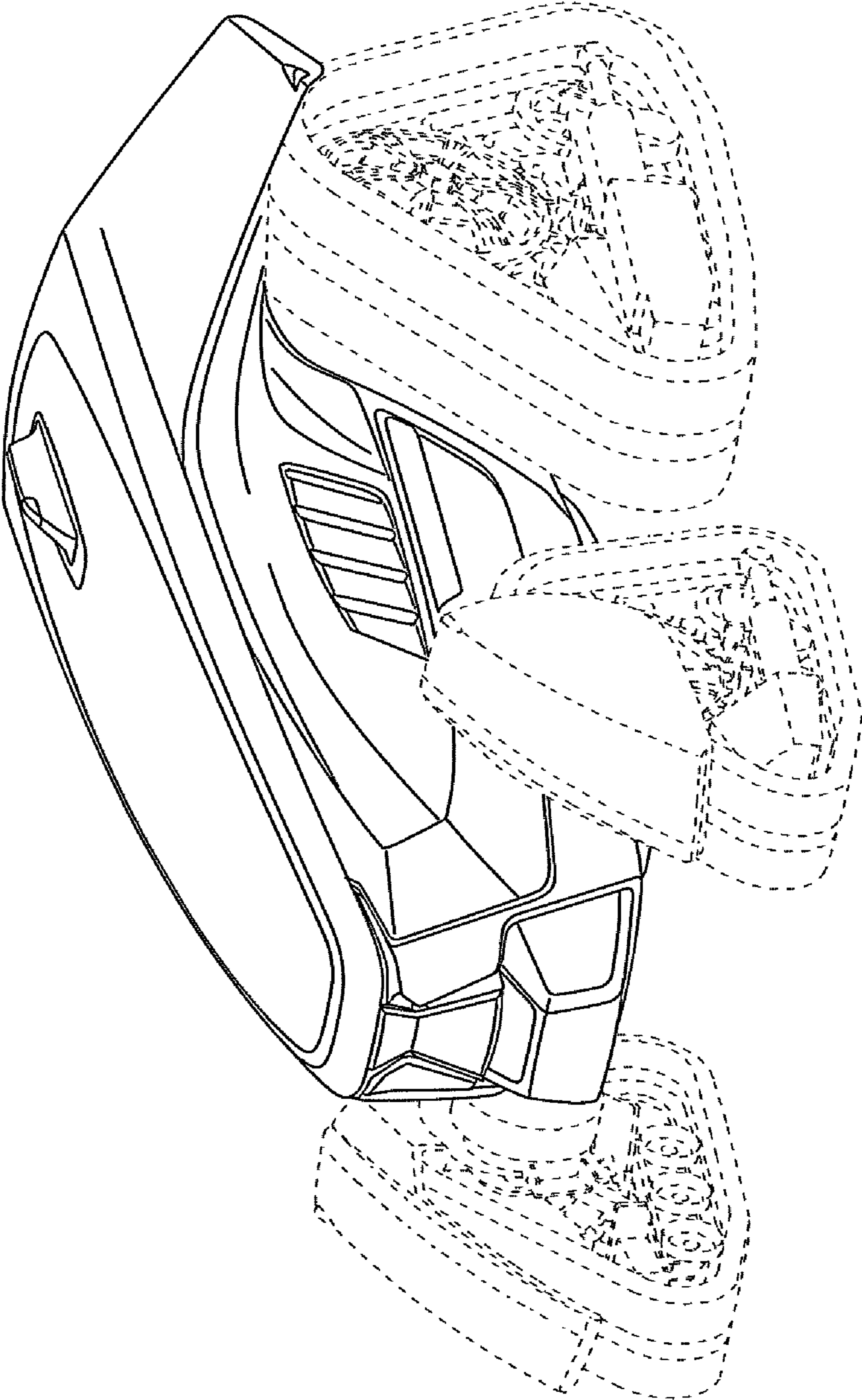


FIG. 6

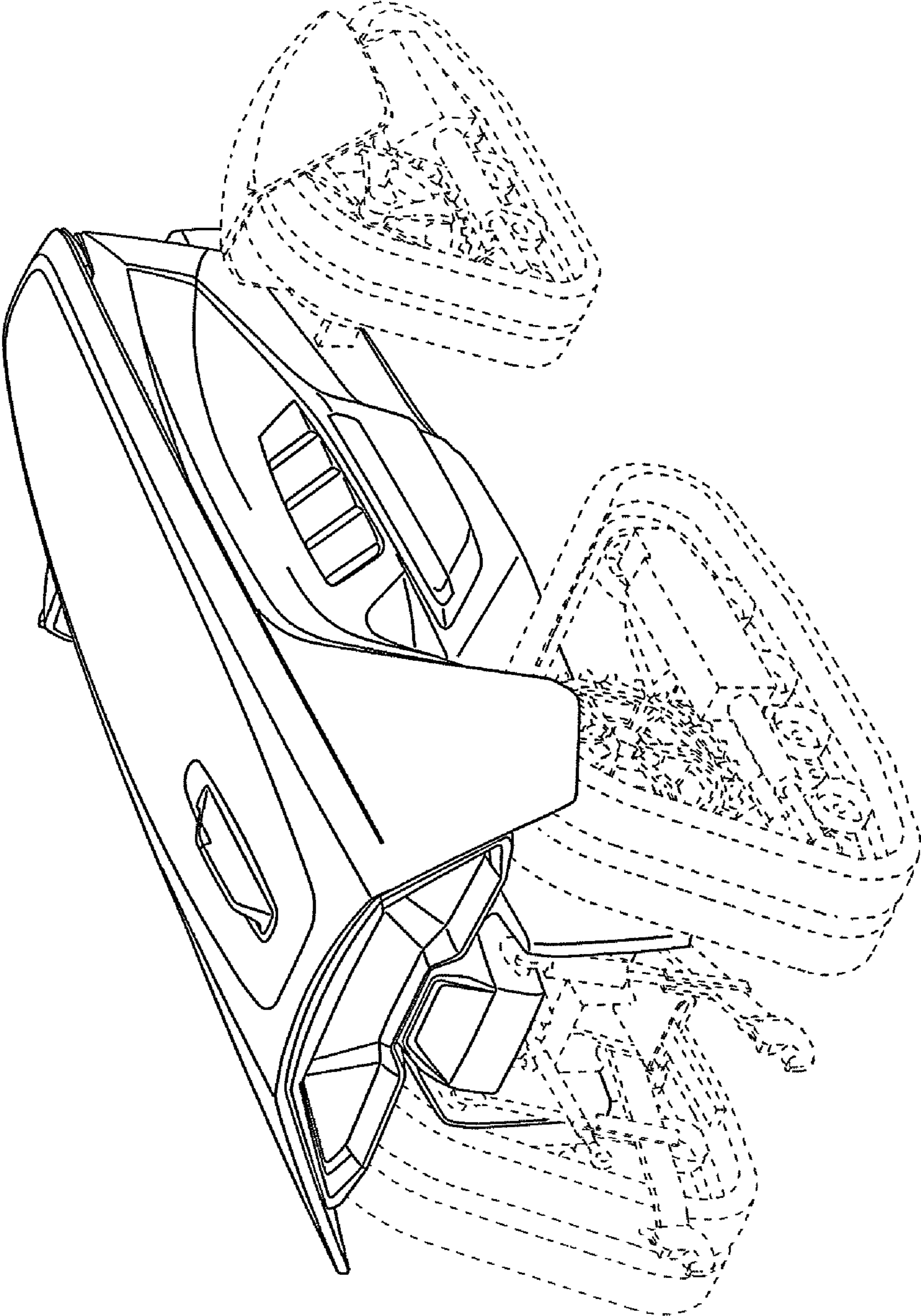


FIG. 7