



US00D988372S

(12) **United States Design Patent**
Mehra et al.

(10) **Patent No.:** **US D988,372 S**
(45) **Date of Patent:** **** Jun. 6, 2023**

(54) **REFERENCE STATION FOR ROBOTIC MOWER**

(71) Applicant: **Husqvarna AB**, Huskvarna (SE)

(72) Inventors: **Rajinder Mehra**, Johanneshov (SE);
Malin Andersson, Huddinge (SE); **Tor Sigurdson**, Stockholm (SE)

(73) Assignee: **HUSQVARNA AB**, Huskvarna (SE)

(**) Term: **15 Years**

(21) Appl. No.: **29/651,955**

(22) Filed: **Sep. 24, 2020**

(30) **Foreign Application Priority Data**

Mar. 24, 2020 (EM) 007768999-0001

(51) **LOC (14) Cl.** **14-02**

(52) **U.S. Cl.**
USPC **D14/358**; D15/17

(58) **Field of Classification Search**
USPC D15/17, 10, 28; D14/358, 356-357, 496,
D14/137, 140, 155, 225, 226, 230, 240,
D14/242, 243, 299, 300; D13/107, 108,
D13/168, 171, 173, 174, 184, 199;
D10/106.3, 46, 104.1, 106.1, 106.2,
D10/106.6, 106.9

CPC . H04W 84/04; H04W 84/045; H04W 84/047;
H04W 84/06; H04W 84/08; H04W 88/00;
H04W 88/005; H04W 88/08; H04W
88/10; H04W 88/12; H04W 88/085

See application file for complete search history.

(56) **References Cited**

U.S. PATENT DOCUMENTS

D227,785 S * 7/1973 Kaysen D14/233
D379,992 S * 6/1997 Aldama D14/230

D402,663 S * 12/1998 Fechner D13/184
D409,199 S * 5/1999 Taguchi D14/217
D421,439 S * 3/2000 Giuntoli D14/230
D430,147 S * 8/2000 Willkens D14/137
D442,168 S * 5/2001 Warner D14/231
D489,369 S * 5/2004 Sasaki D14/358
D580,437 S * 11/2008 Kiyomiya D14/358
D587,708 S * 3/2009 Yoshida D14/358
D704,628 S * 5/2014 Tajik D13/108
D752,563 S * 3/2016 Hansen D14/240
D783,579 S * 4/2017 MacManus D14/240
D783,580 S * 4/2017 MacManus D14/240
D784,971 S * 4/2017 Näslund D14/242
D810,078 S * 2/2018 Kikuchi D14/240
D830,869 S * 10/2018 Siminoff D10/106.1
D831,014 S * 10/2018 Delibie D14/242
D837,150 S * 1/2019 Näslund D13/108
D837,209 S * 1/2019 Ali D14/358
D837,210 S * 1/2019 Ali D14/358
D864,927 S * 10/2019 Wallace D14/238

(Continued)

Primary Examiner — Mark A Goodwin

(74) *Attorney, Agent, or Firm* — Burr & Forman, LLP

(57) **CLAIM**

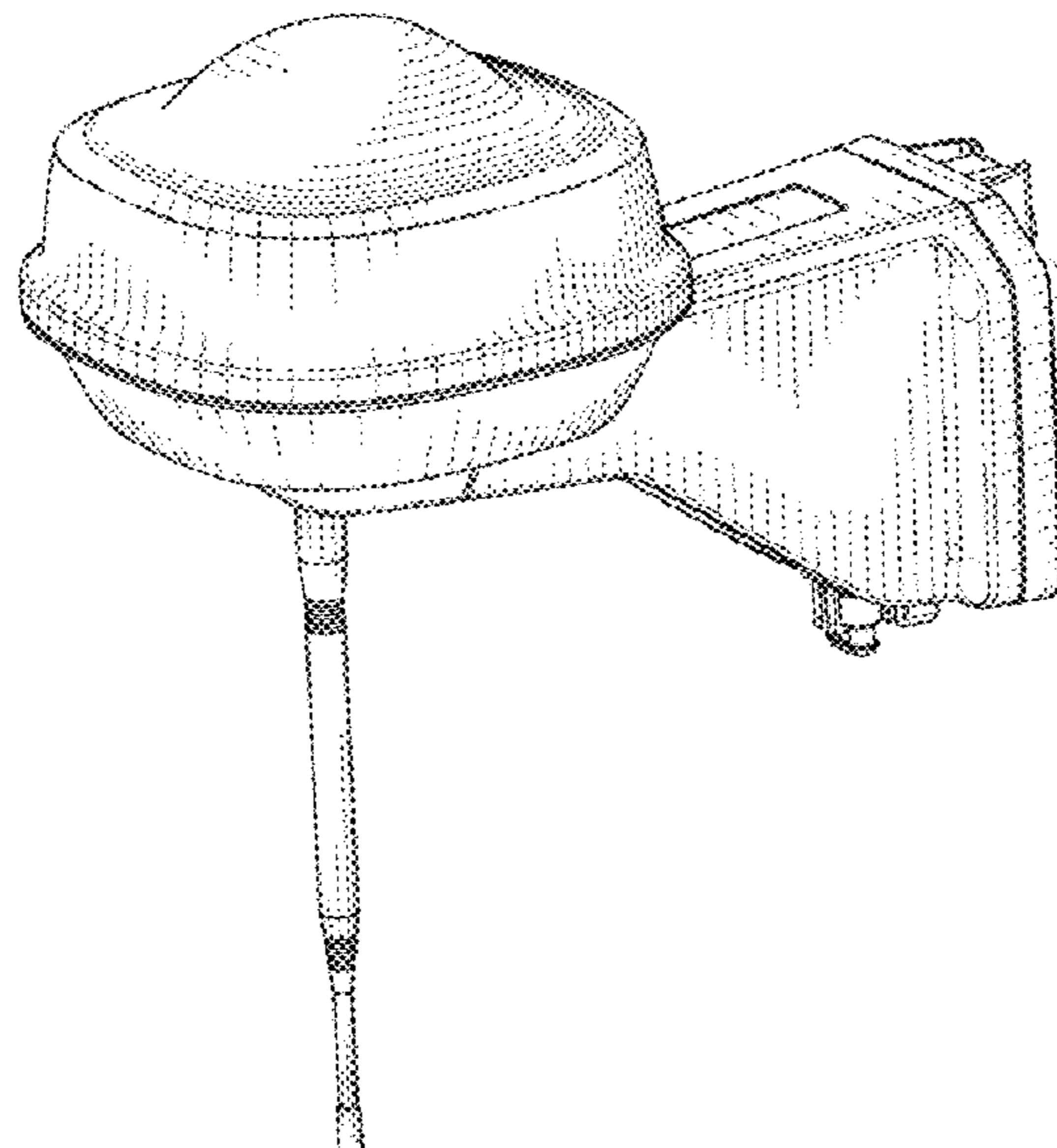
The ornamental design for a reference station for robotic mower, as shown and described.

DESCRIPTION

FIG. 1 is a perspective view of a reference station for robotic mower showing our new design;
FIG. 2 is a back view of FIG. 1 thereof;
FIG. 3 is a front view of FIG. 1 thereof;
FIG. 4 is a left side view of FIG. 1 thereof;
FIG. 5 is a right side view of FIG. 1 thereof;
FIG. 6 is a top view of FIG. 1 thereof; and,
FIG. 7 is a bottom view of FIG. 1 thereof.

The broken line showing on the surface of the claim in FIGS. 1-7 is included for the purpose of illustrating portions of the reference station for robotic mower and forms no part of the claimed design.

1 Claim, 7 Drawing Sheets



(56)

References Cited

U.S. PATENT DOCUMENTS

D906,373	S	*	12/2020	Morin	D15/14
D913,265	S	*	3/2021	Cueto	D14/240
D926,737	S	*	8/2021	Borst	D14/238
D938,401	S	*	12/2021	Seymour	D14/240
D945,393	S	*	3/2022	Mead	D14/230
D962,911	S	*	9/2022	O'Donnell	D14/240
D966,203	S	*	10/2022	Kalkunte	D14/155
2009/0024325	A1	*	1/2009	Scherzinger	G01C 21/12 701/469
2019/0038960	A1	*	2/2019	Roberts	E01C 23/22
2021/0157331	A1	*	5/2021	He	G06N 3/08

* cited by examiner

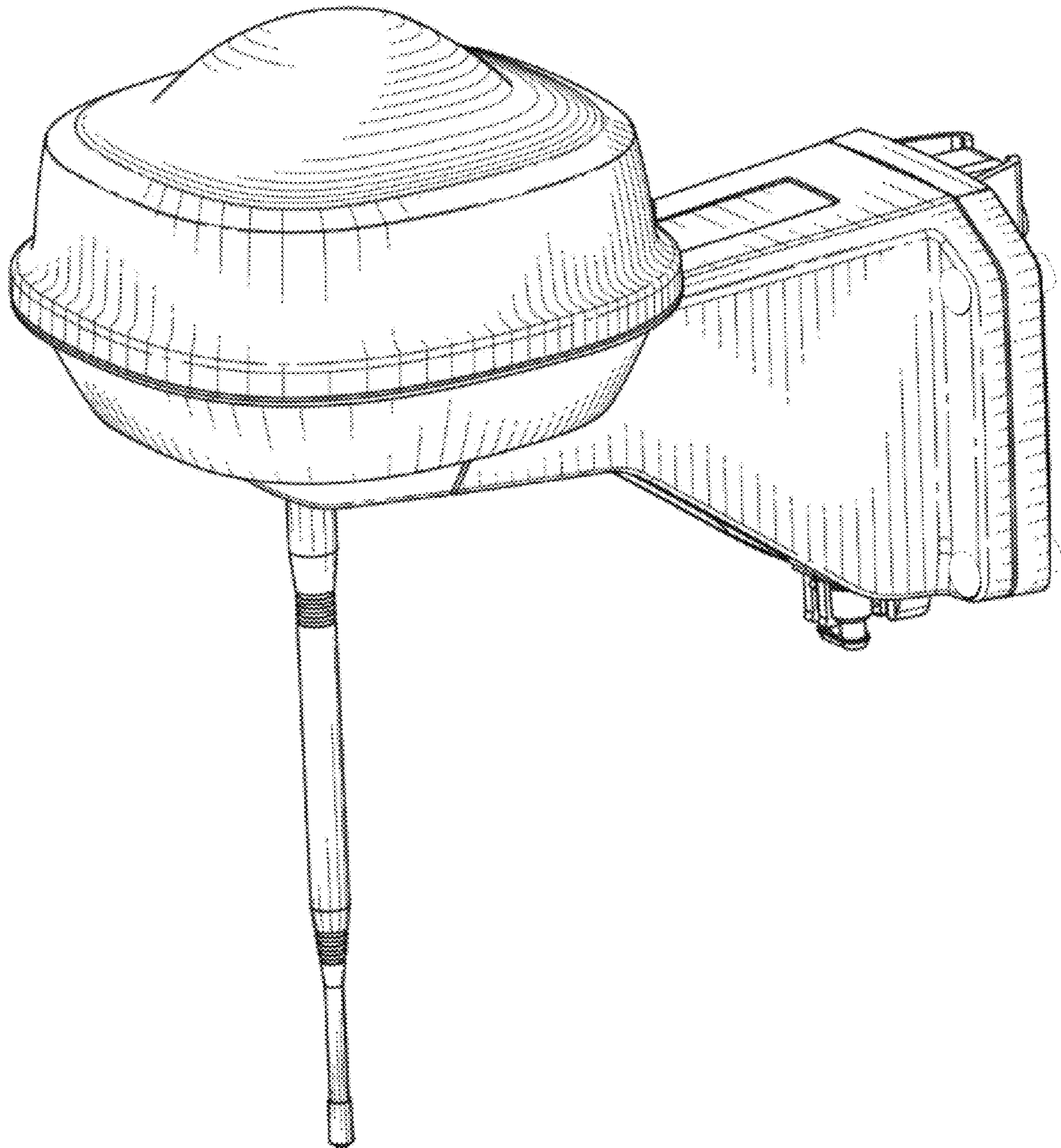


FIG. 1

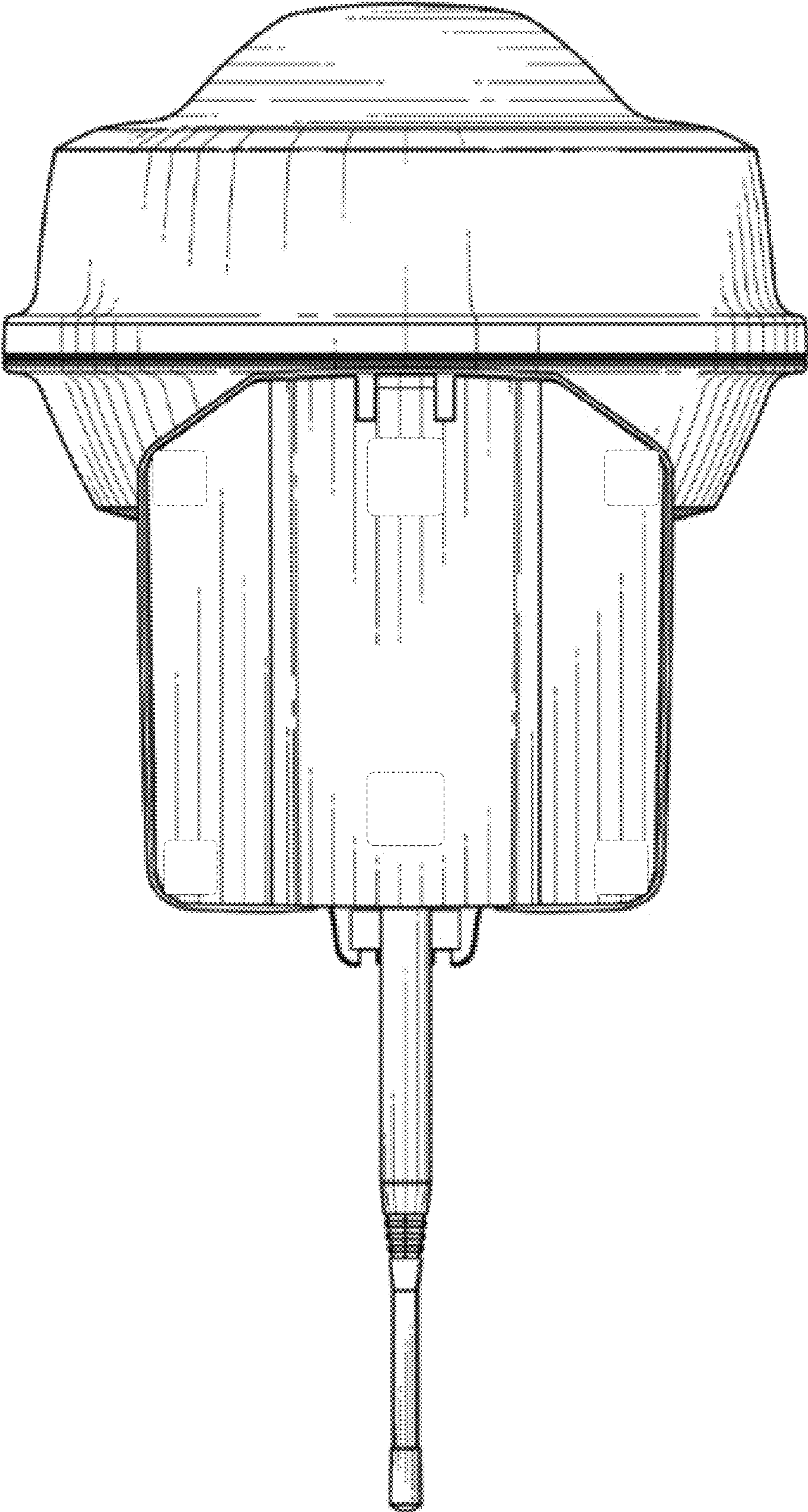


FIG. 2

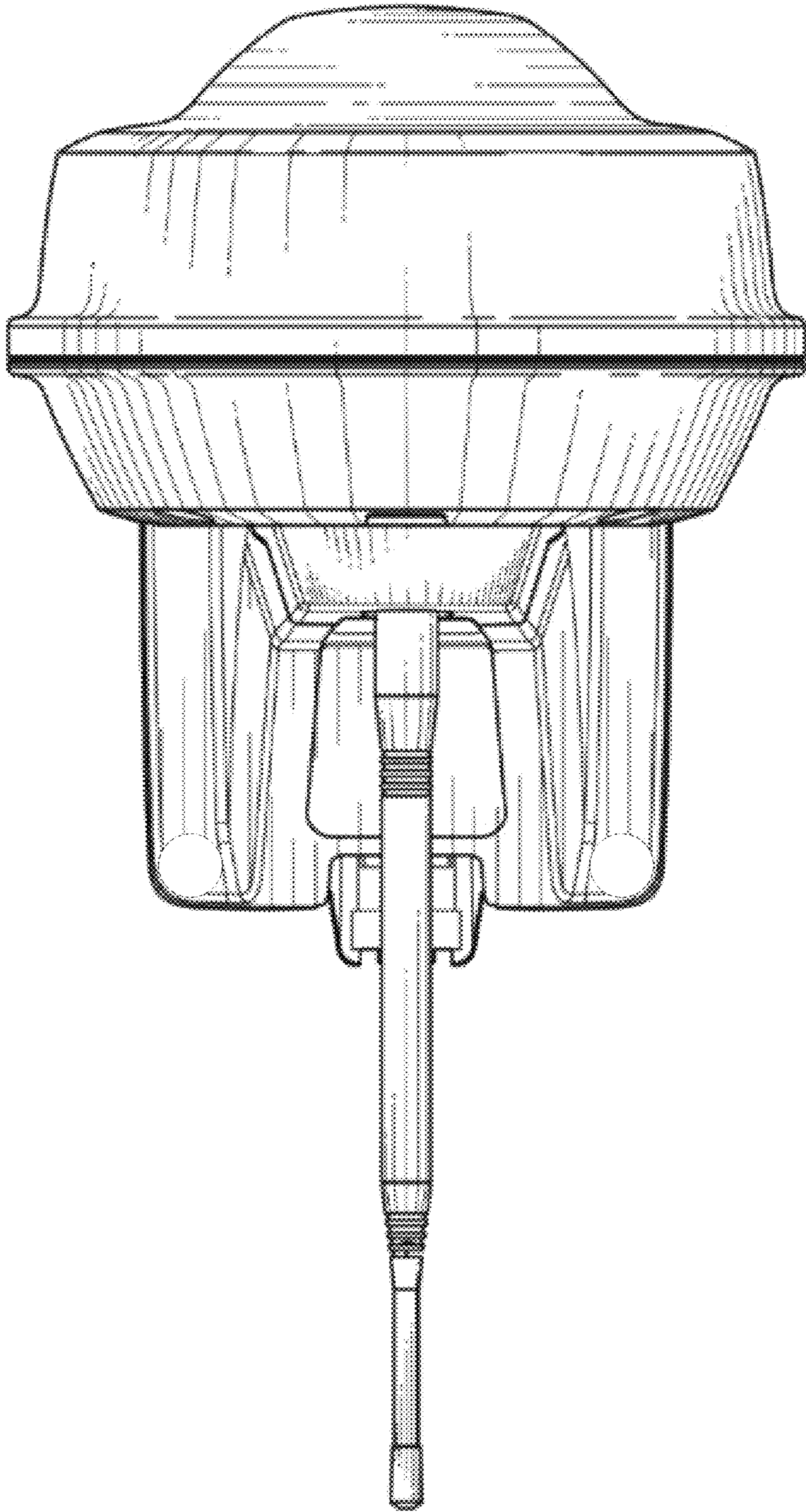


FIG. 3

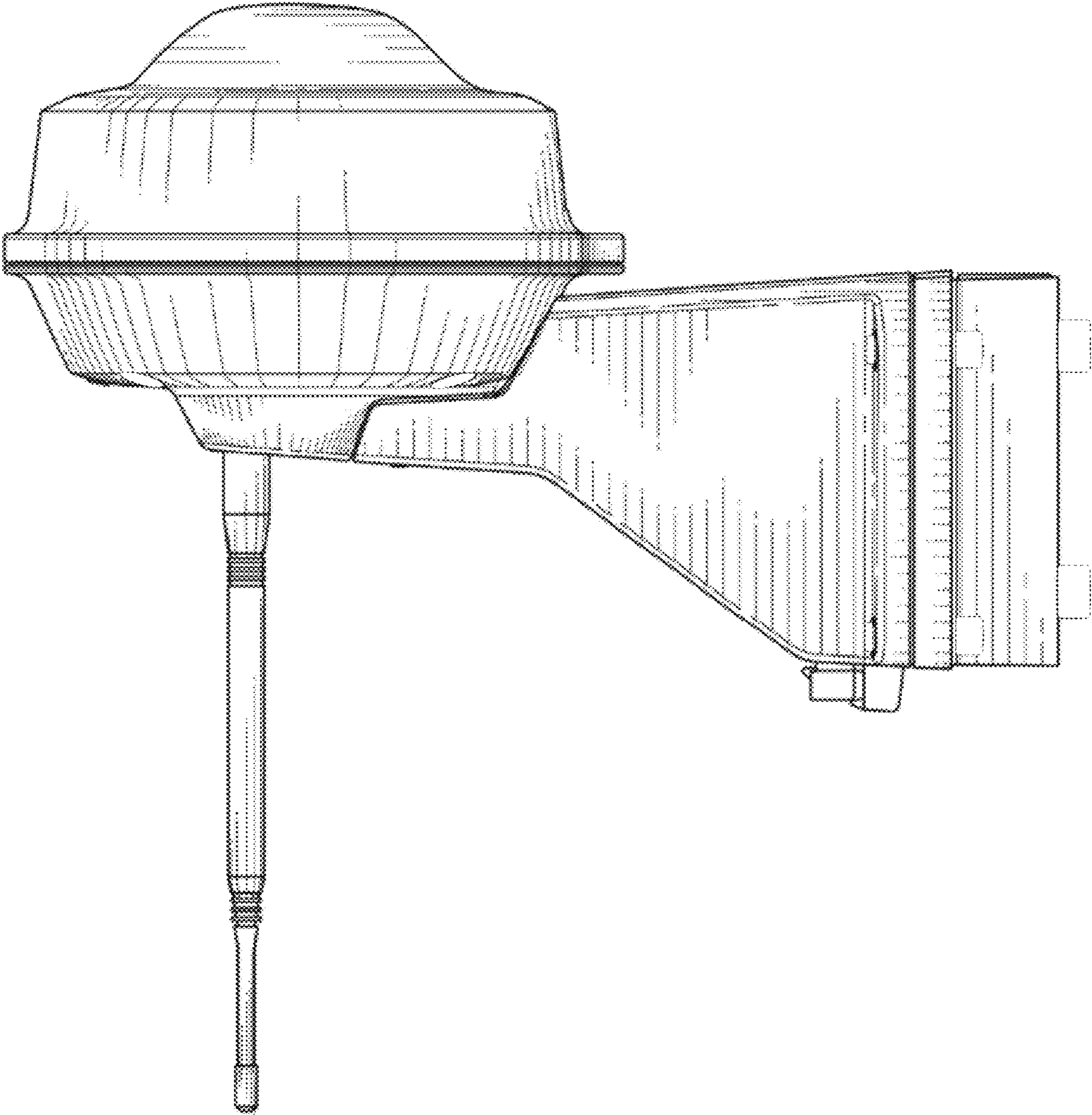


FIG. 4

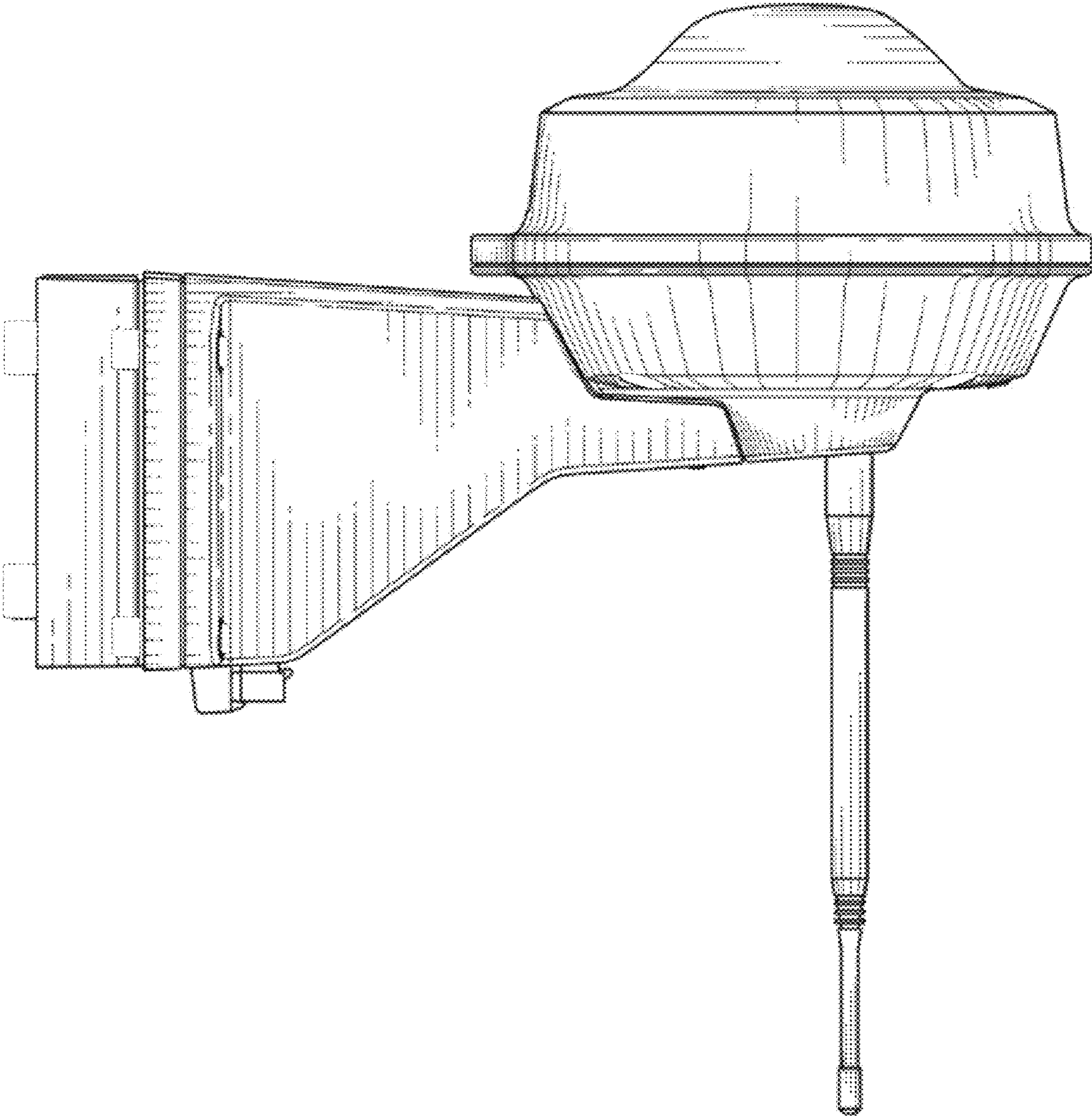


FIG. 5

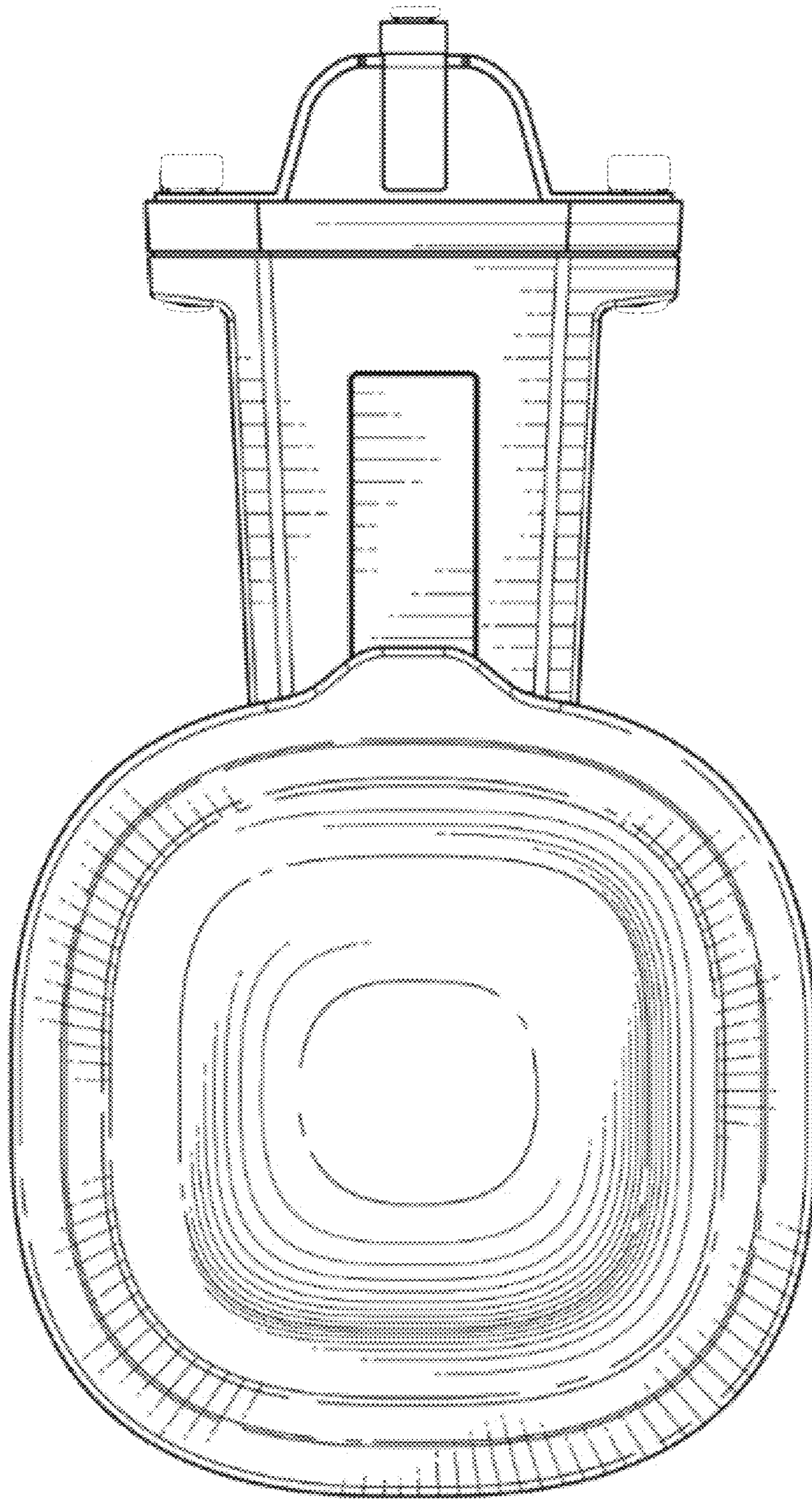


FIG. 6

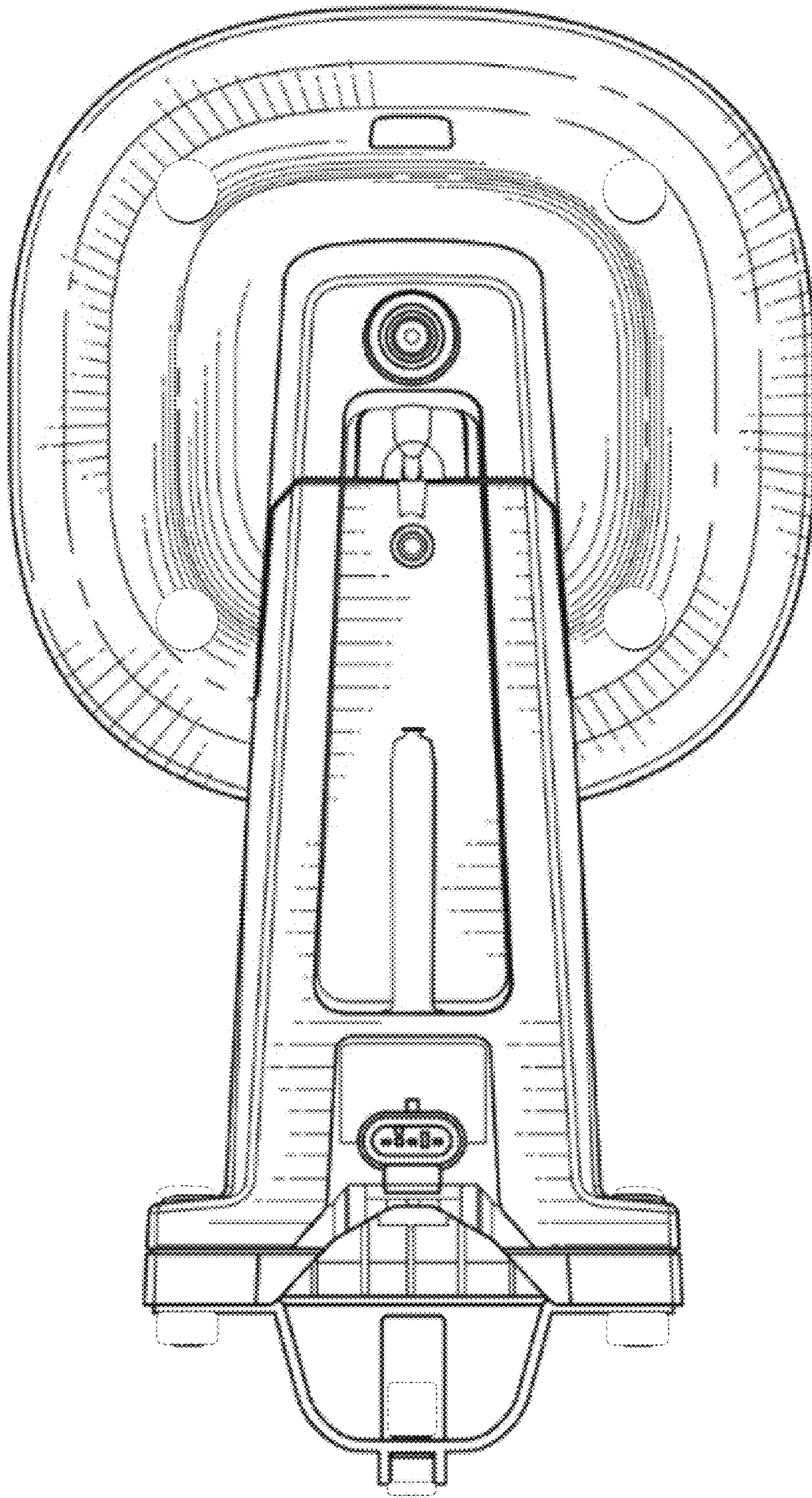


FIG. 7