



US00D988366S

(12) **United States Design Patent**  
**Martin**

(10) **Patent No.:** **US D988,366 S**  
(45) **Date of Patent:** **\*\* Jun. 6, 2023**

(54) **FAUX DISTRIBUTOR CABLE HOLDER**

(71) Applicant: **Lokar, Inc.**, Knoxville, TN (US)

(72) Inventor: **Elio Martin**, Litchfield, OH (US)

(\*\*) Term: **15 Years**

(21) Appl. No.: **29/736,404**

(22) Filed: **May 29, 2020**

(51) **LOC (14) Cl.** ..... **15-01**

(52) **U.S. Cl.**  
USPC ..... **D15/5**

(58) **Field of Classification Search**  
USPC ..... D15/1, 2, 3, 4, 5, 6; D8/356, 354, 349,  
D8/357  
CPC .... B60R 16/0215; F02M 41/02; F02M 41/00;  
F02M 41/1405; F02P 7/02; F02P 7/021;  
F02P 7/026; F02P 7/022; F02P 7/00  
See application file for complete search history.

(56) **References Cited**

U.S. PATENT DOCUMENTS

- 3,951,508 A \* 4/1976 Farrer ..... F02P 7/021  
439/130
- 4,011,851 A \* 3/1977 Beutler ..... F02P 7/021  
123/594
- 4,631,371 A \* 12/1986 Kronberger ..... F02P 7/02  
200/19.32
- 4,639,560 A \* 1/1987 Kronberger ..... F02P 7/021  
200/19.38

- D406,148 S \* 2/1999 Cirincione ..... D15/5
- 2015/0144100 A1 \* 5/2015 Nutter ..... F02P 7/0677  
123/473
- 2022/0009427 A1 \* 1/2022 Martin ..... F01M 13/00

\* cited by examiner

*Primary Examiner* — Ania Aman

(74) *Attorney, Agent, or Firm* — Blanchard Horton PLLC

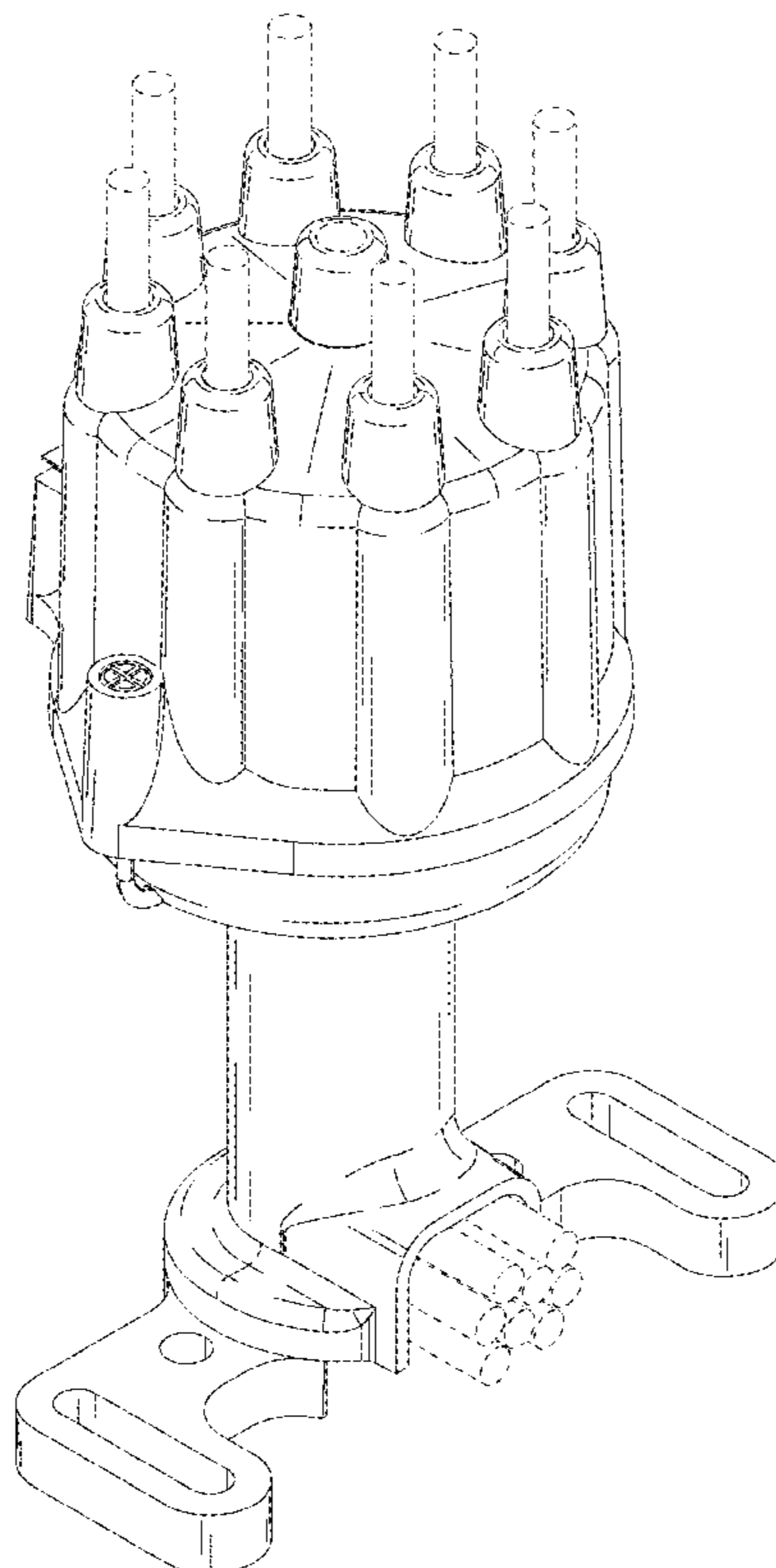
(57) **CLAIM**

I claim the ornamental design for a faux distributor cable holder, as shown and described.

**DESCRIPTION**

FIG. 1 is a perspective view of a faux distributor cable holder showing my new design;  
 FIG. 2 is a front elevation view of the faux distributor cable holder shown in FIG. 1;  
 FIG. 3 is a back elevation view of the faux distributor cable holder shown in FIG. 1;  
 FIG. 4 is a right elevation view of the faux distributor cable holder shown in FIG. 1;  
 FIG. 5 is a left elevation view of the faux distributor cable holder shown in FIG. 1;  
 FIG. 6 is a top plan view of the faux distributor cable holder shown in FIG. 1; and,  
 FIG. 7 is a bottom plan of the faux distributor cable holder shown in FIG. 1.  
 The broken lines shown in the drawings are for the purpose of illustrating portions of the article and form no part of the claimed design.

**1 Claim, 6 Drawing Sheets**



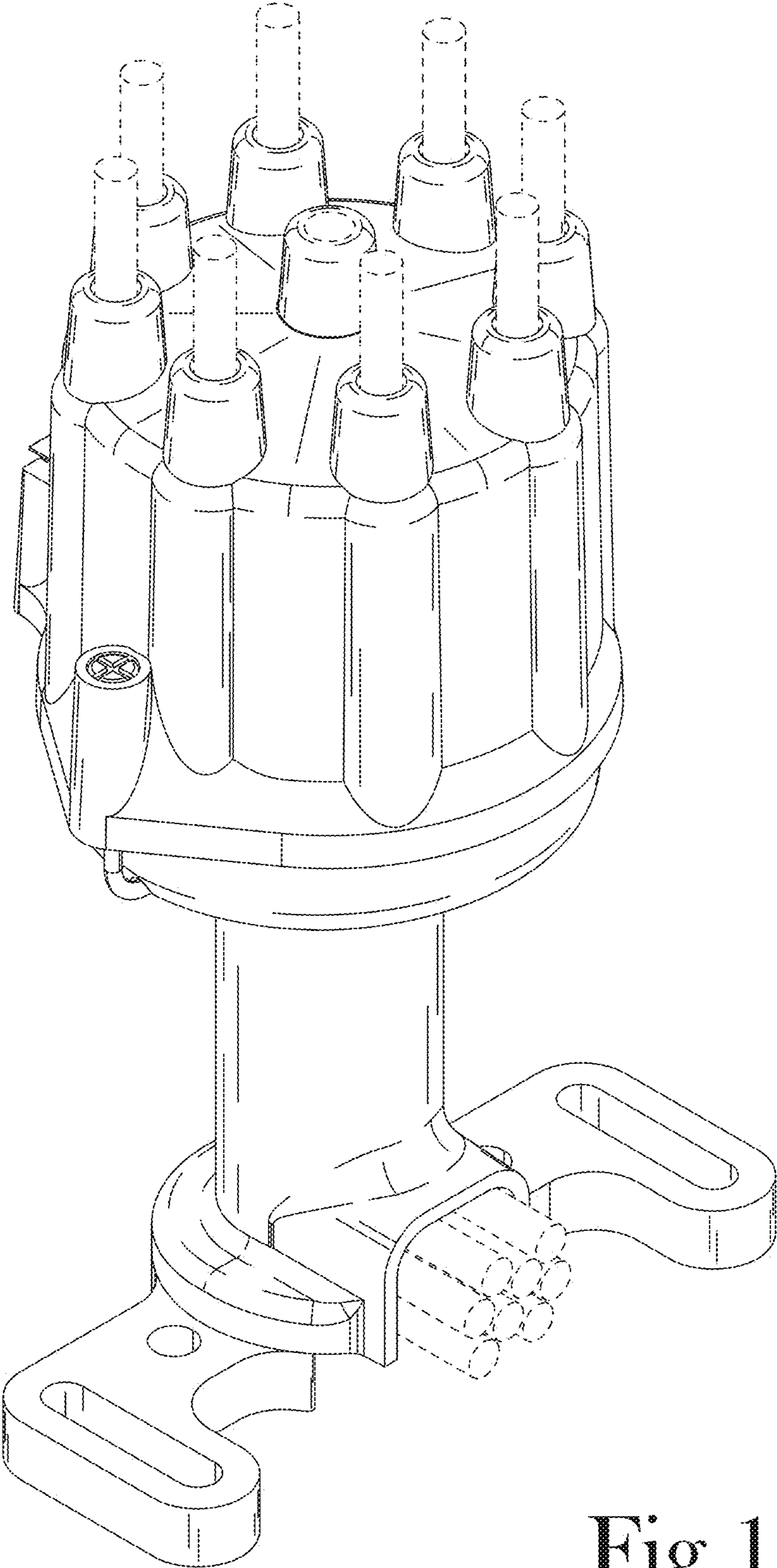


Fig. 1

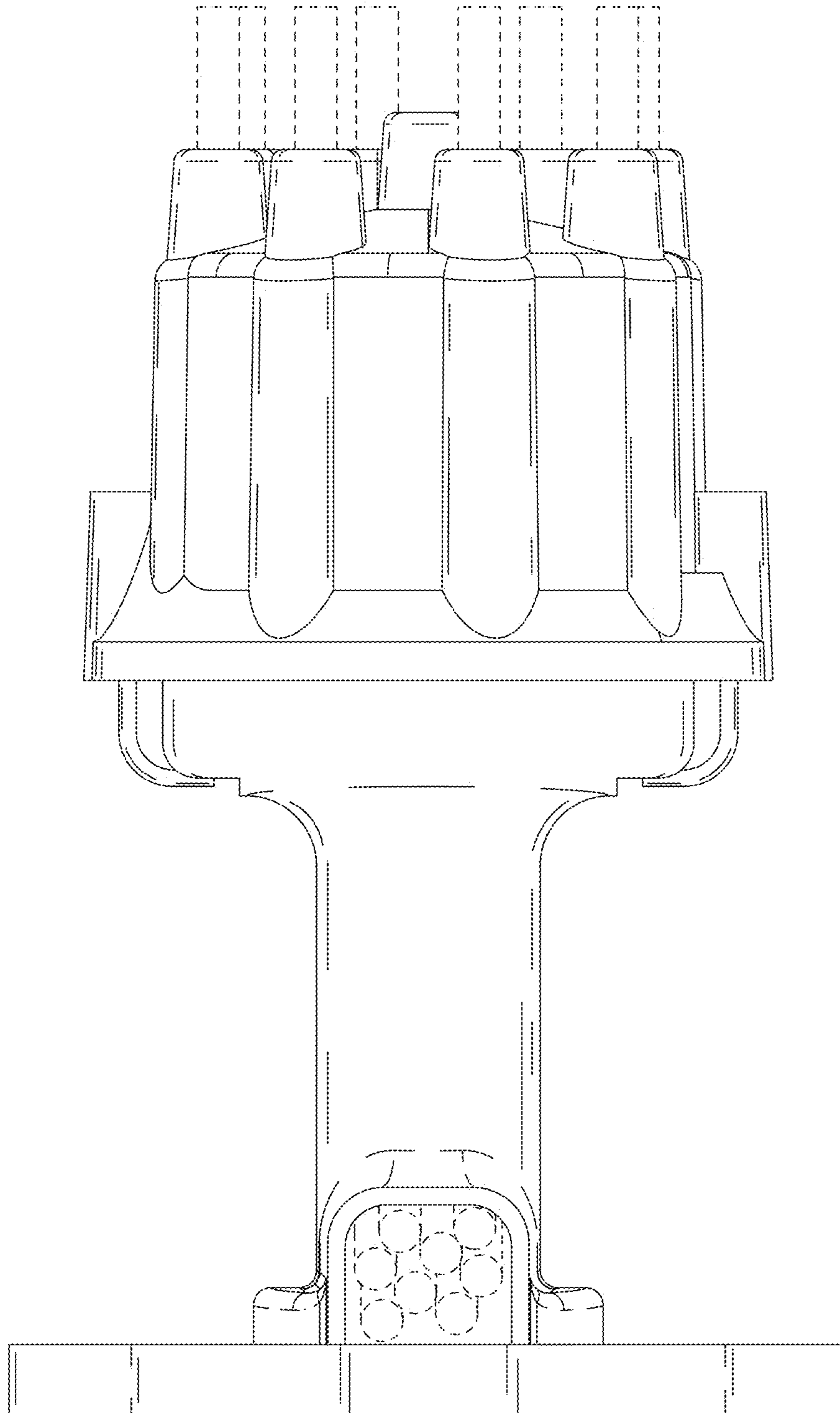


Fig. 2

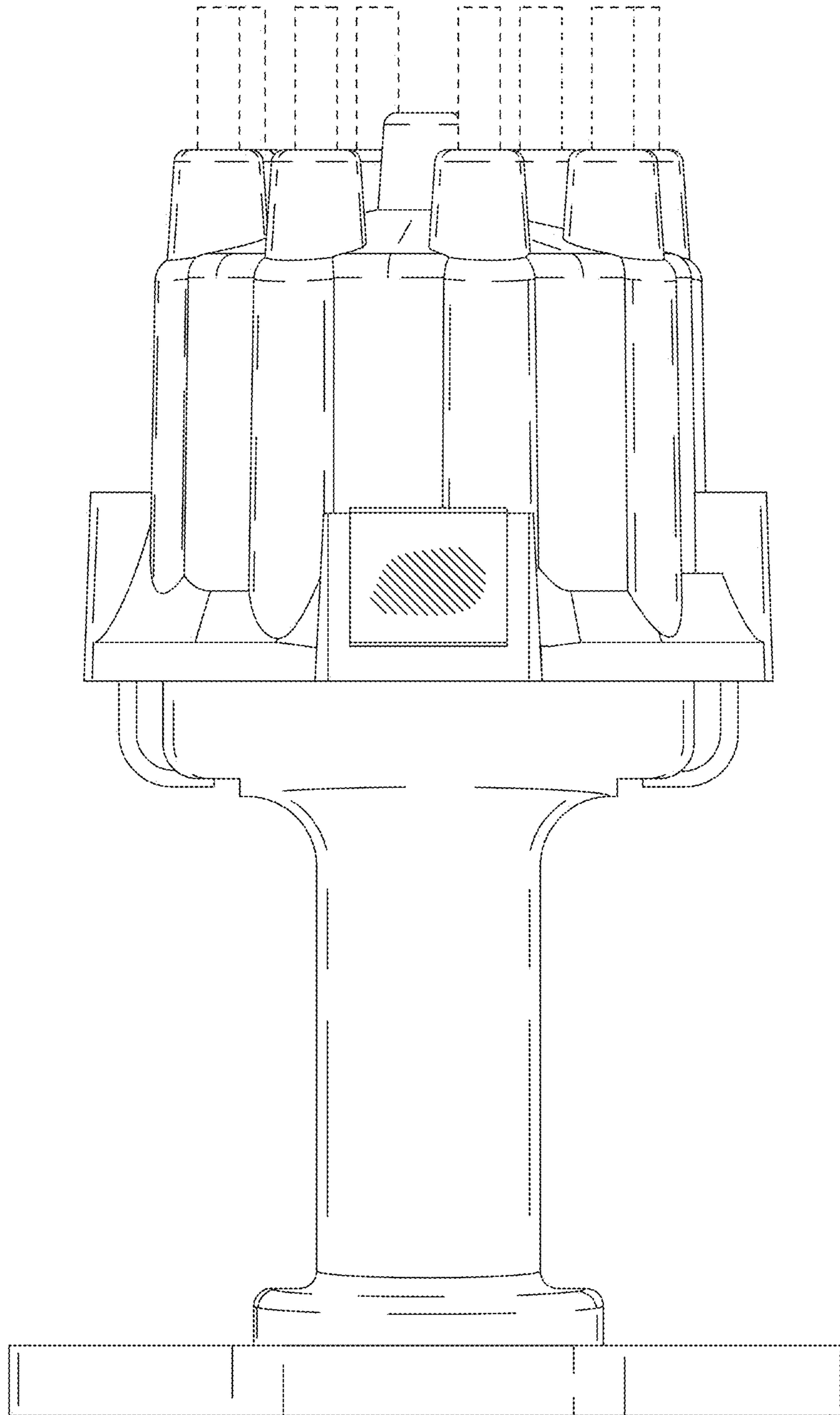


Fig. 3

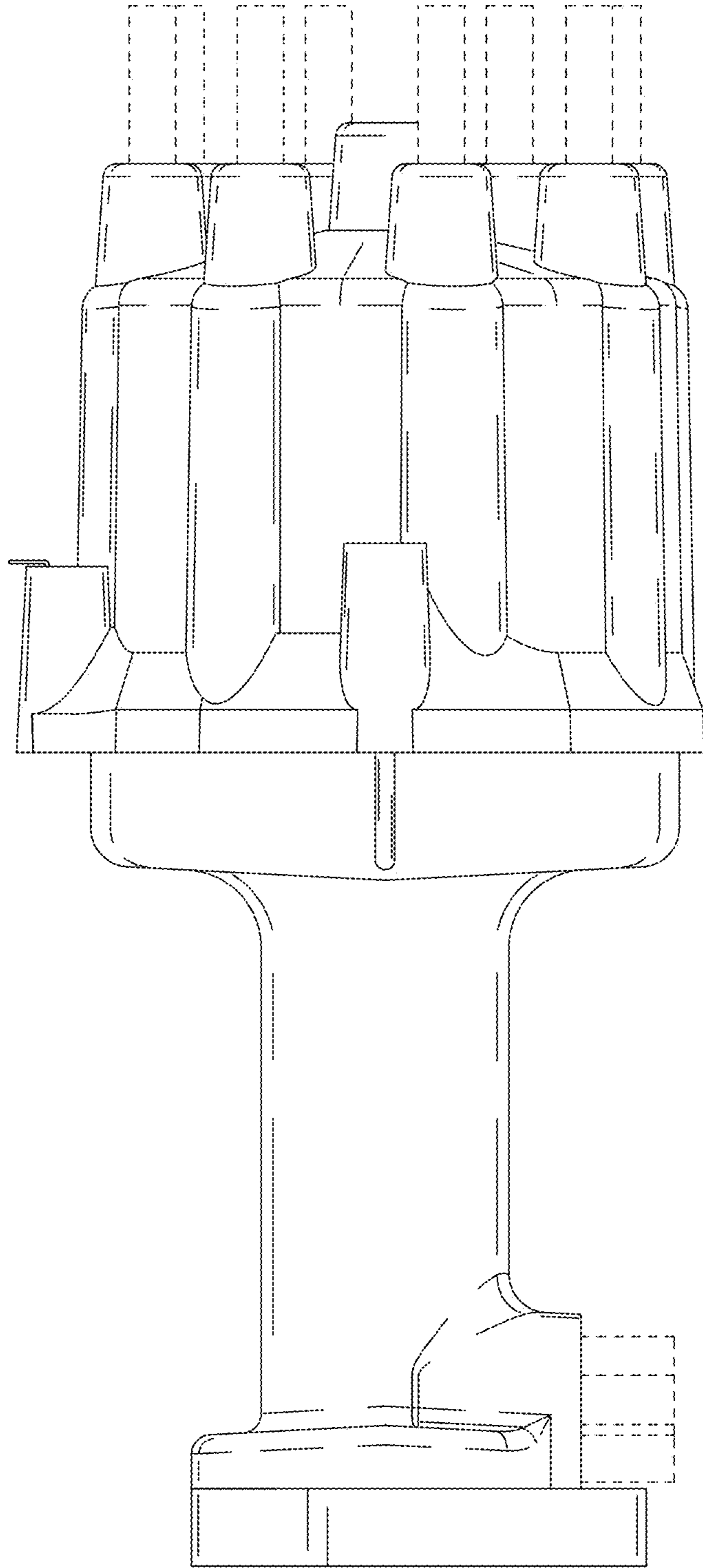


Fig. 4

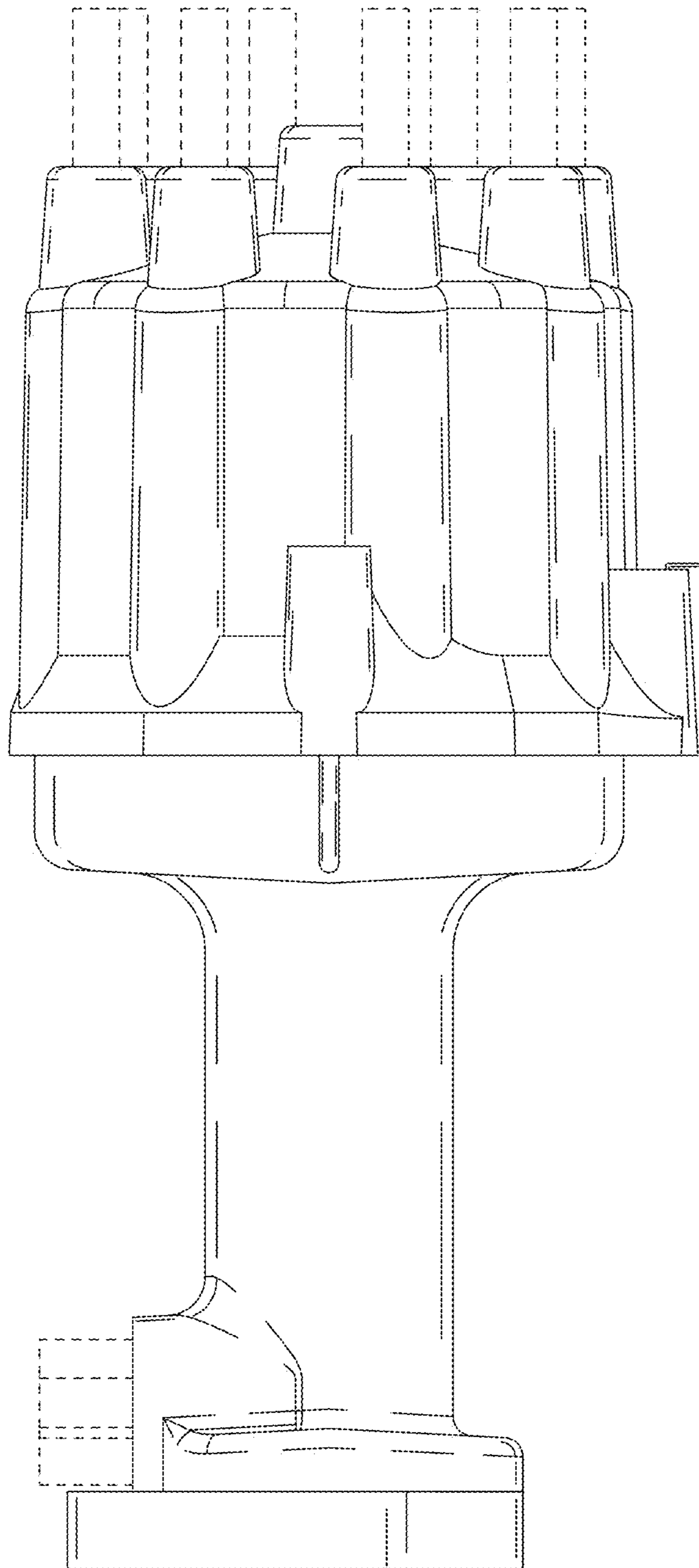


Fig. 5

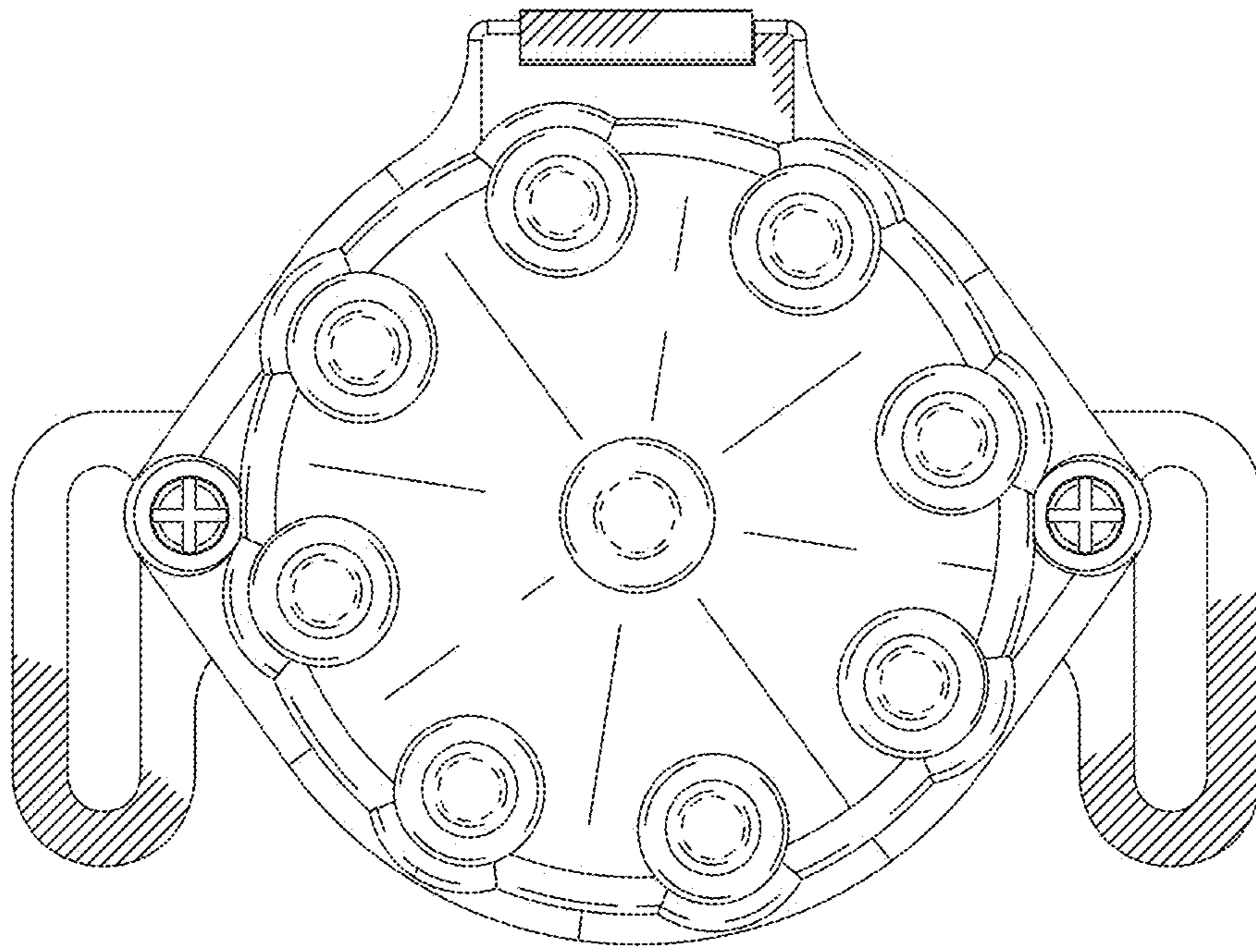


Fig. 6

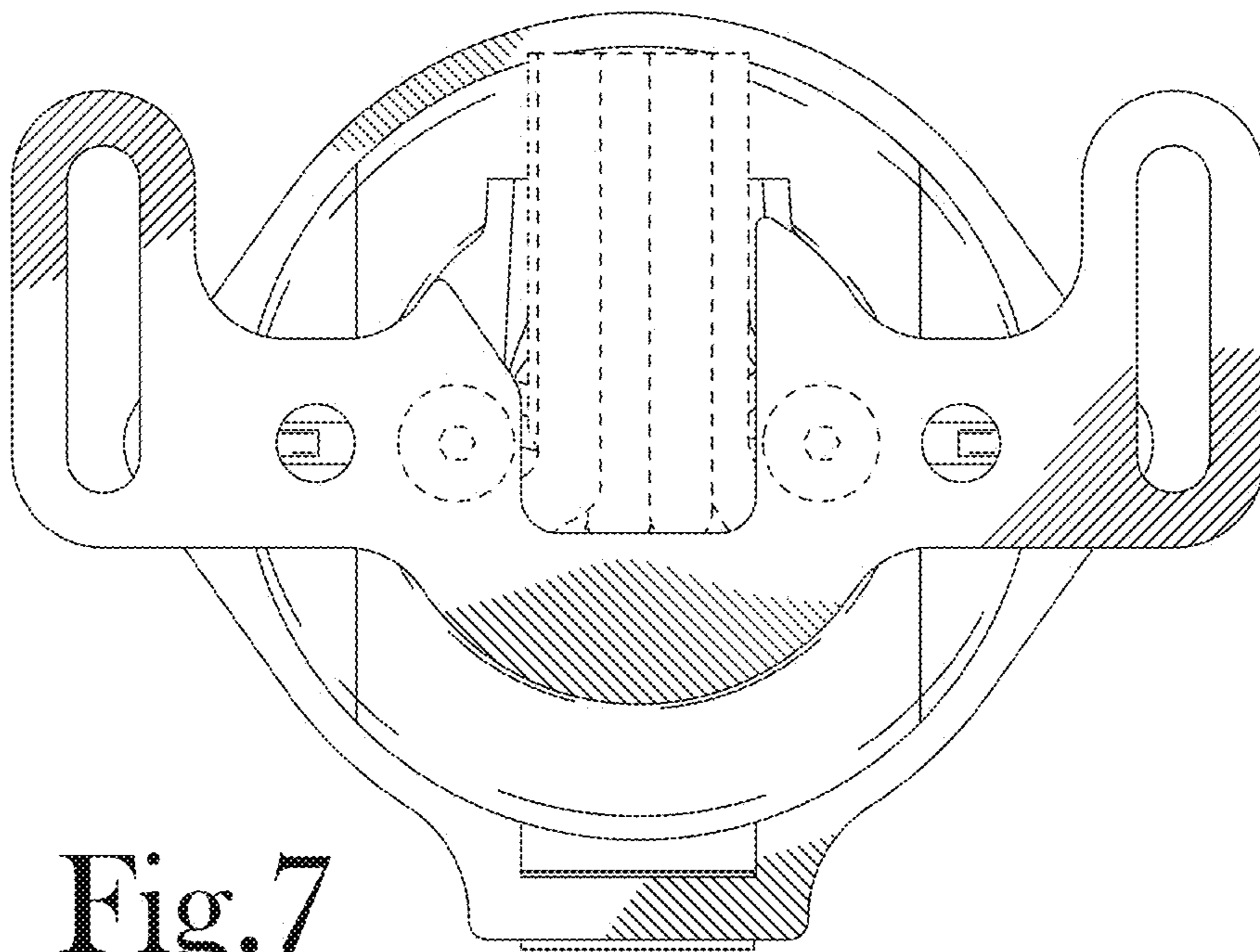


Fig. 7