



US00D988362S

(12) **United States Design Patent** (10) **Patent No.:** **US D988,362 S**
Jansen et al. (45) **Date of Patent:** **** Jun. 6, 2023**

(54) **DISPLAY SCREEN OR PORTION THEREOF WITH ANIMATED GRAPHICAL USER INTERFACE**

- (71) Applicant: **KONINKLIJKE PHILIPS N.V.**, Eindhoven (NL)
- (72) Inventors: **Johannes Antonius Jansen**, Utrecht (NL); **Riccardo Vescovo**, Amsterdam (NL)
- (73) Assignee: **KONINKLIJKE PHILIPS N.V.**, Eindhoven (NL)
- (**) Term: **15 Years**
- (21) Appl. No.: **29/852,590**
- (22) Filed: **Sep. 8, 2022**

Related U.S. Application Data

- (62) Division of application No. 29/836,476, filed on Apr. 27, 2022, now Pat. No. Des. 970,547, which is a (Continued)

(30) **Foreign Application Priority Data**

- Sep. 2, 2019 (EM) 006807731
- (51) **LOC (14) Cl.** **14-04**
- (52) **U.S. Cl.**
USPC **D14/489**
- (58) **Field of Classification Search**
USPC D14/485-495
(Continued)

(56) **References Cited**

U.S. PATENT DOCUMENTS

- D127,348 S * 5/1941 Gayda D20/23
- 6,246,411 B1 * 6/2001 Strauss G06F 3/0486
715/769

(Continued)

OTHER PUBLICATIONS

“Waterdrop GIF” Mar. 1, 2016, WordPress, site visited Oct. 27, 2021: <https://memesahib.wordpress.com/2016/03/01/waterdrop-gif/> (Year: 2016).*

Primary Examiner — Katherine A Holbrow
Assistant Examiner — Christopher M Spivey

(57) **CLAIM**

The ornamental design for a display screen or portion thereof with animated graphical user interface, as shown and described.

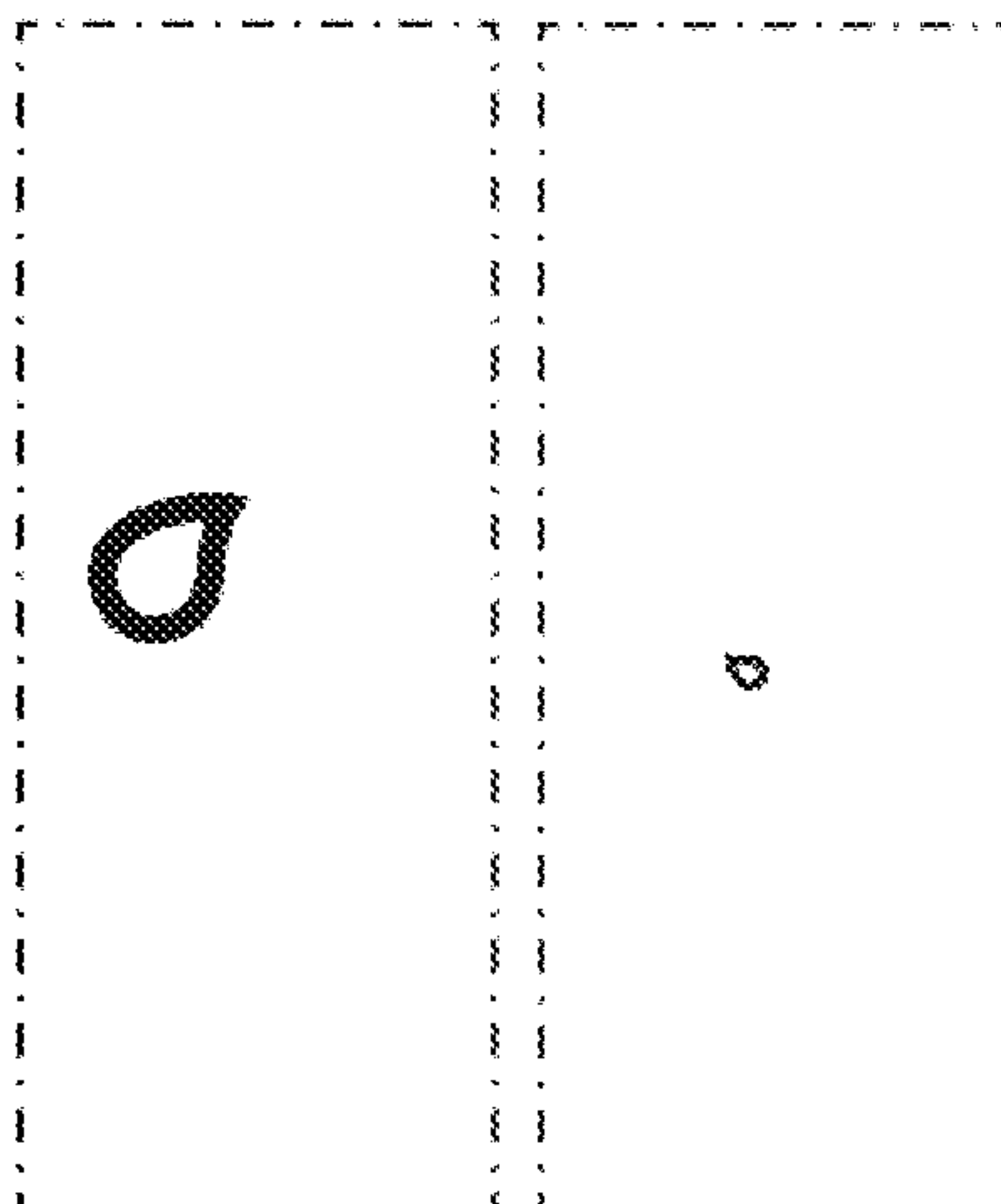
DESCRIPTION

FIG. 1 is a front view of a first embodiment showing a first image in a sequence of a display screen or portion thereof with animated graphical user interface, showing our new design;

FIG. 2 is a front view of a second image thereof;
FIG. 3 is a front view of a third image thereof;
FIG. 4 is a front view of a fourth image thereof;
FIG. 5 is a front view of a fifth image thereof;
FIG. 6 is a front view of a sixth image thereof;
FIG. 7 is a front view of a seventh image thereof;
FIG. 8 is a front view of a second embodiment showing a first image in a sequence of a display screen or portion thereof with animated graphical user interface;
FIG. 9 is a front view of a second image thereof;
FIG. 10 is a front view of a third image thereof;
FIG. 11 is a front view of a fourth image thereof;
FIG. 12 is a front view of a fifth image thereof;
FIG. 13 is a front view of a sixth image thereof; and,
FIG. 14 is a front view of a seventh image thereof.

The appearance of the animated graphical user interface sequentially transitions between the images shown in FIGS. 1-7 and FIGS. 8-14. The process or period in which an image transitions to another image forms no part of the claimed design.

(Continued)



The broken line showing a display screen in FIGS. 1-7, and the outer broken line showing a device, and the inner broken line showing a display screen in FIGS. 8-14 form no part of the claimed design.

1 Claim, 9 Drawing Sheets

Related U.S. Application Data

division of application No. 29/726,209, filed on Mar. 2, 2020, now Pat. No. Des. 952,649.

(58) Field of Classification Search

CPC ... G16H 10/40; G06F 3/0482; G06F 3/04817; G06F 3/0484; G06F 3/0486; G06F 3/0487; G06F 1/163; G06F 21/36; A01G 25/165; A01G 25/167; A63B 24/00; B67D 1/0894; B67D 1/0888; D06F 34/32; D06F 34/28; F25D 2400/361; G01N 33/66; G05B 2219/2625; Y10T 137/1866

See application file for complete search history.

(56)

References Cited

U.S. PATENT DOCUMENTS

D636,405	S	*	4/2011	Mays	D14/495
D674,405	S	*	1/2013	Guastella	D14/488
D700,617	S	*	3/2014	Brinda	D14/485
D711,921	S	*	8/2014	Penico	D14/492
D716,340	S	*	10/2014	Bresin	D14/488
D737,320	S	*	8/2015	McCormick	D14/489
D841,660	S	*	2/2019	Mercado	D14/485
D864,983	S	*	10/2019	Lee	D14/486
10,796,797	B2	*	10/2020	Guthrie	G06F 3/04817
D930,665	S	*	9/2021	Traylor	D14/485
D941,846	S	*	1/2022	Traylor	D14/485
D952,649	S	*	5/2022	Jansen	D14/485
D957,411	S	*	7/2022	Zhang	D14/490
D958,184	S	*	7/2022	Page	D14/489
D965,633	S	*	10/2022	Ahas	D14/489
D966,303	S	*	10/2022	Bradberry	D14/486
D970,547	S	*	11/2022	Jansen	D14/489
2004/0134238	A1	*	7/2004	Buckroyd	D06F 34/32 68/12.23
2012/0056827	A1	*	3/2012	Kim	D06F 33/30 345/173
2015/0370468	A1	*	12/2015	Kazi	G06F 3/0484 715/211

* cited by examiner

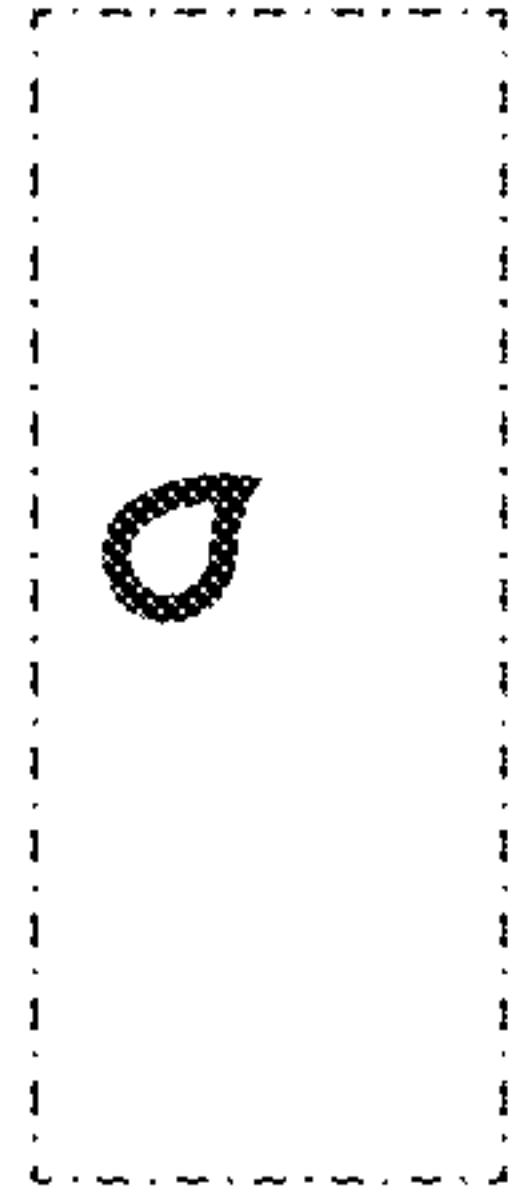


FIG. 1

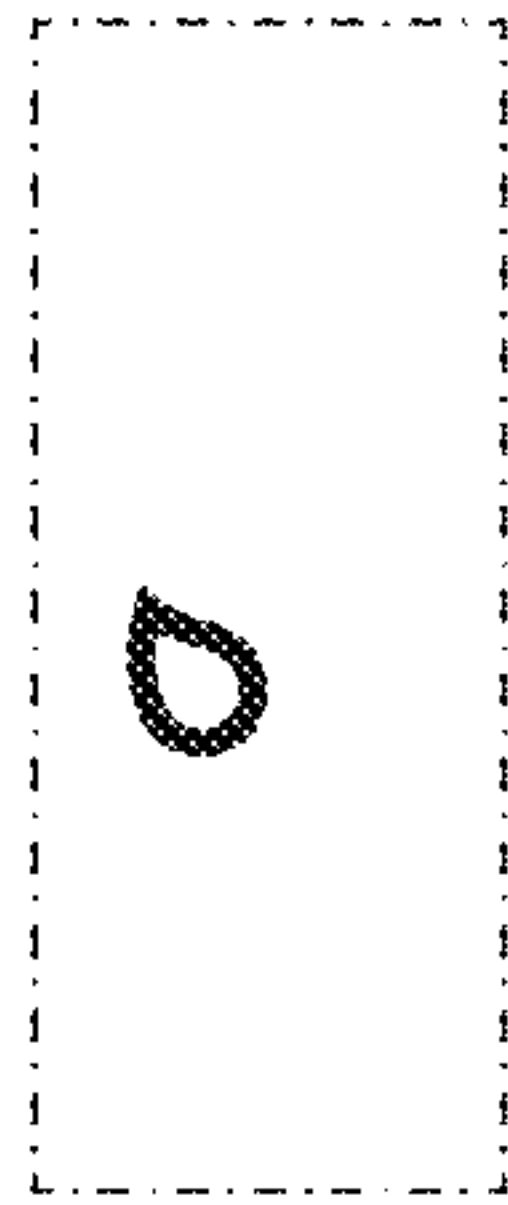


FIG. 2

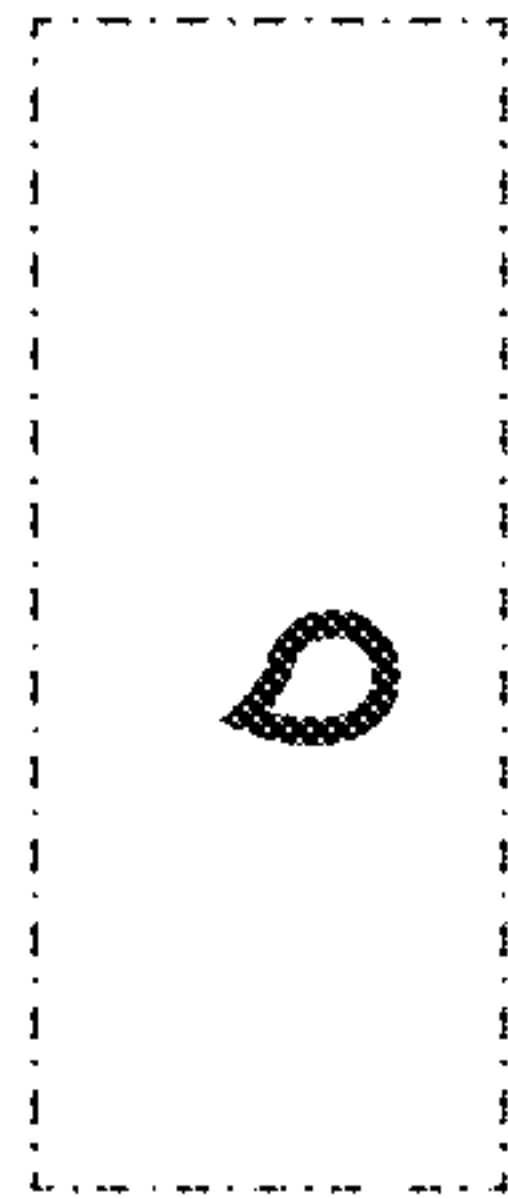


FIG. 3

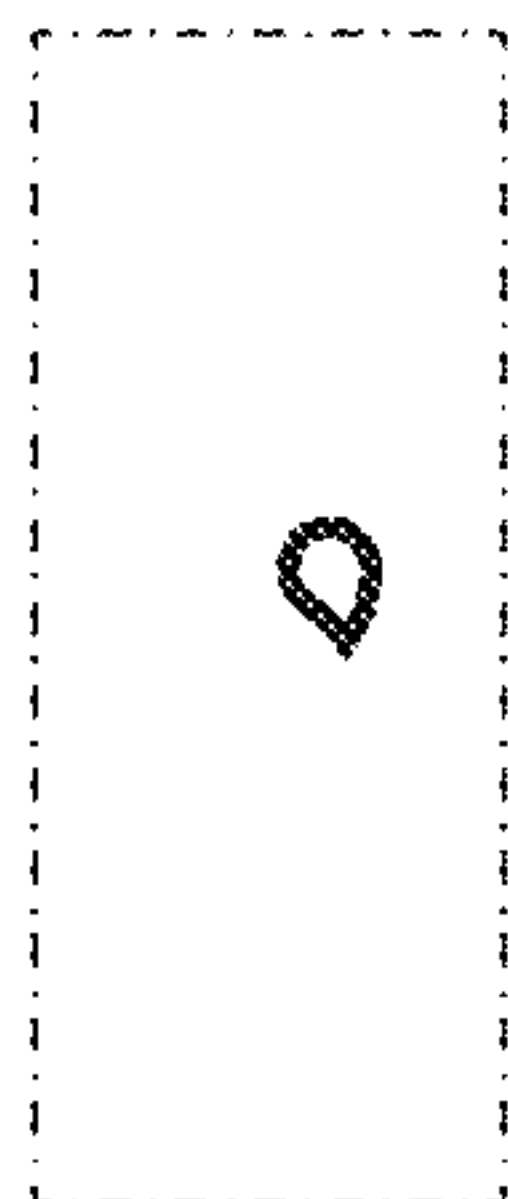


FIG. 4

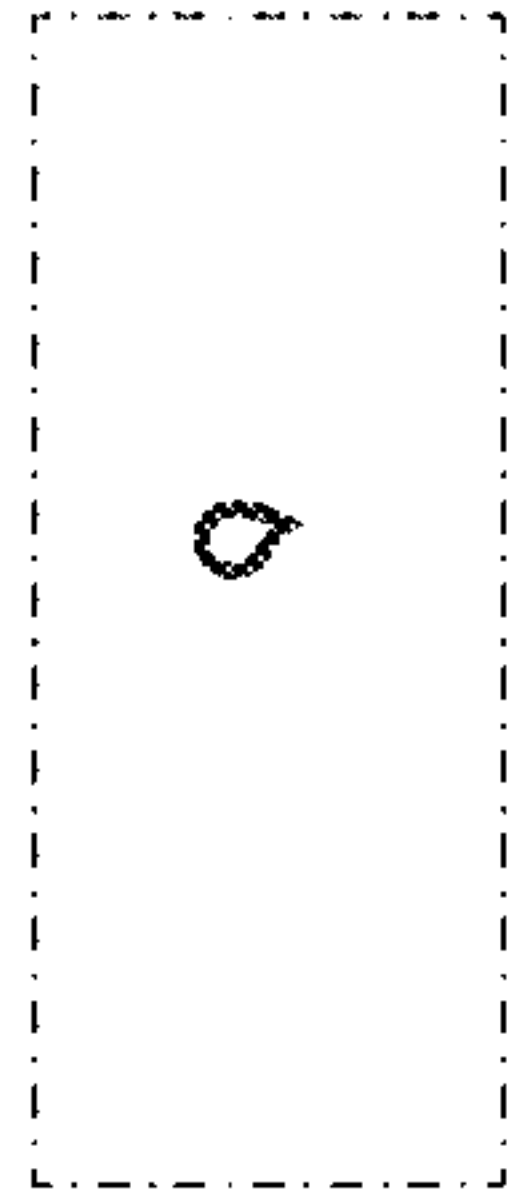


FIG. 5

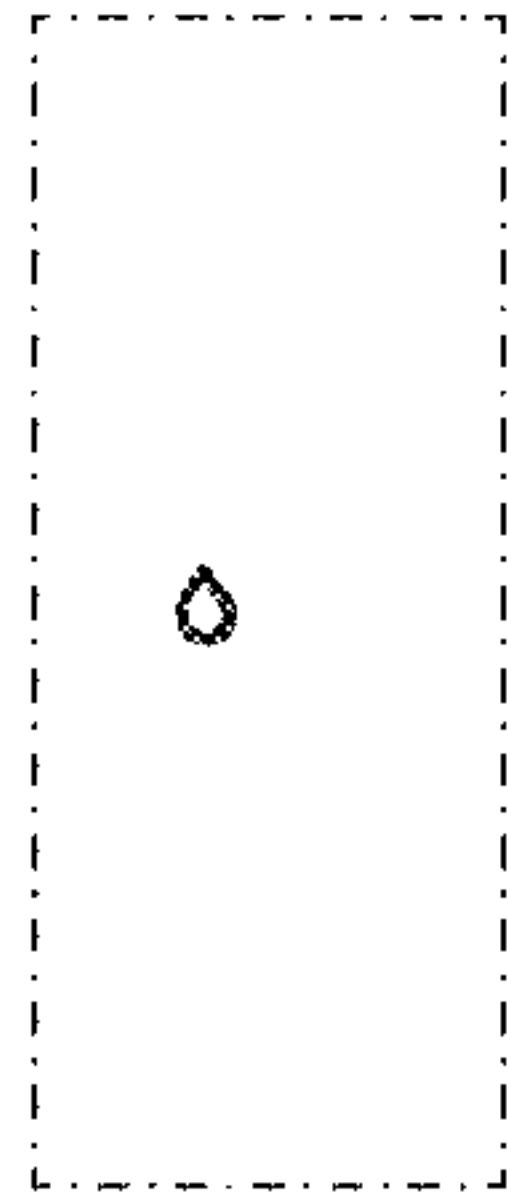


FIG. 6

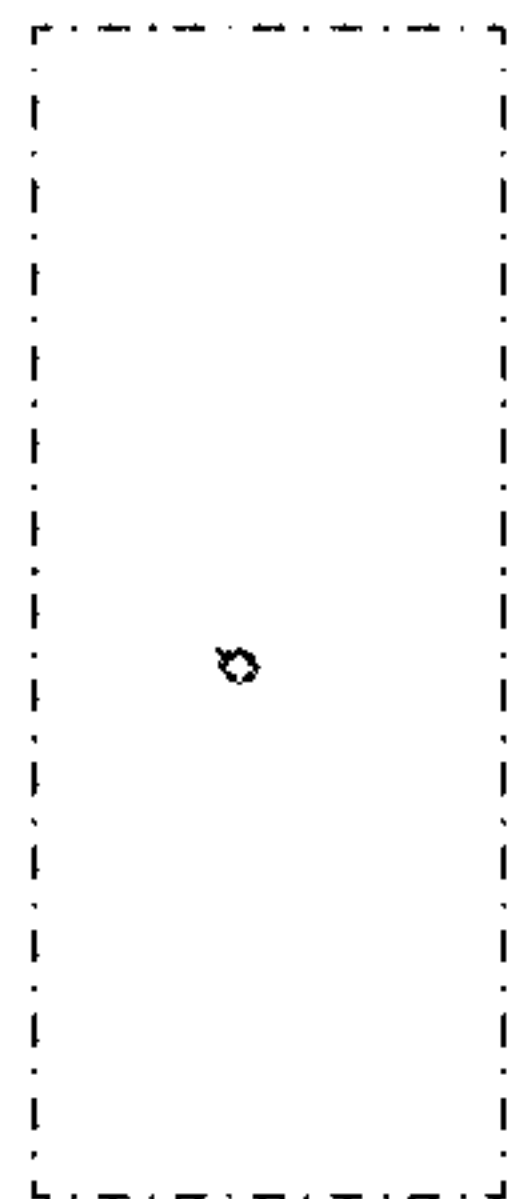


FIG. 7

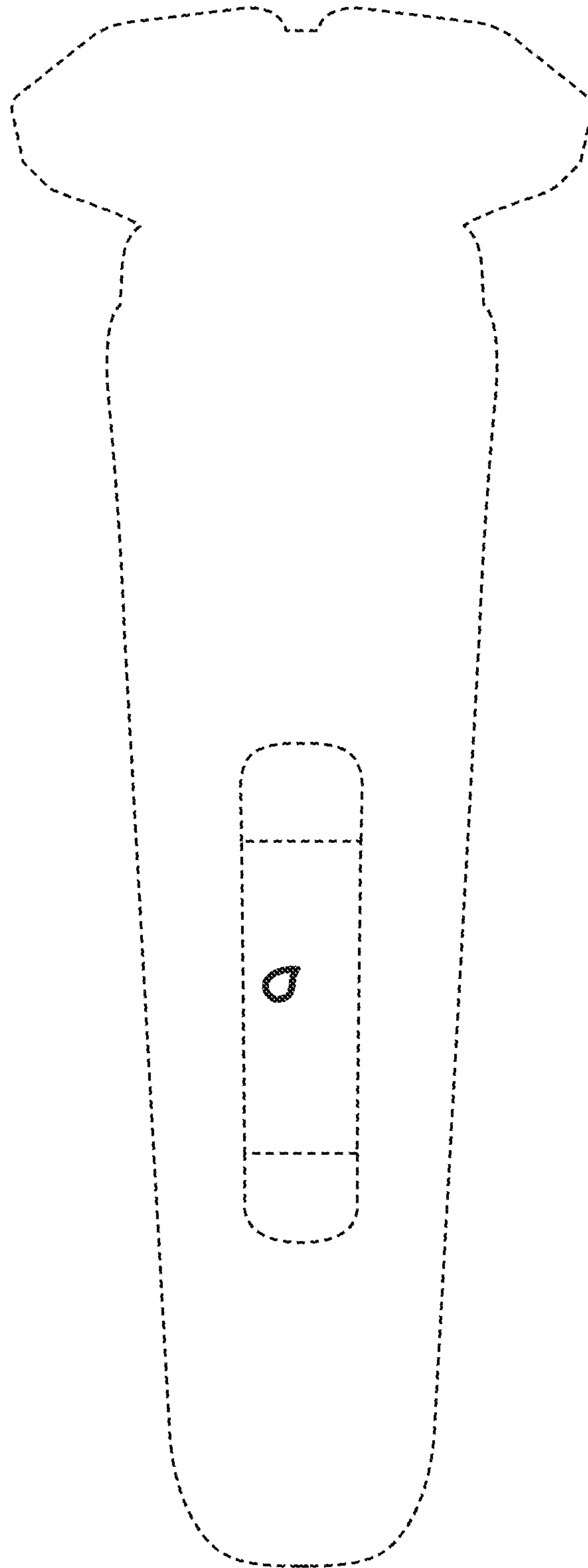


FIG. 8

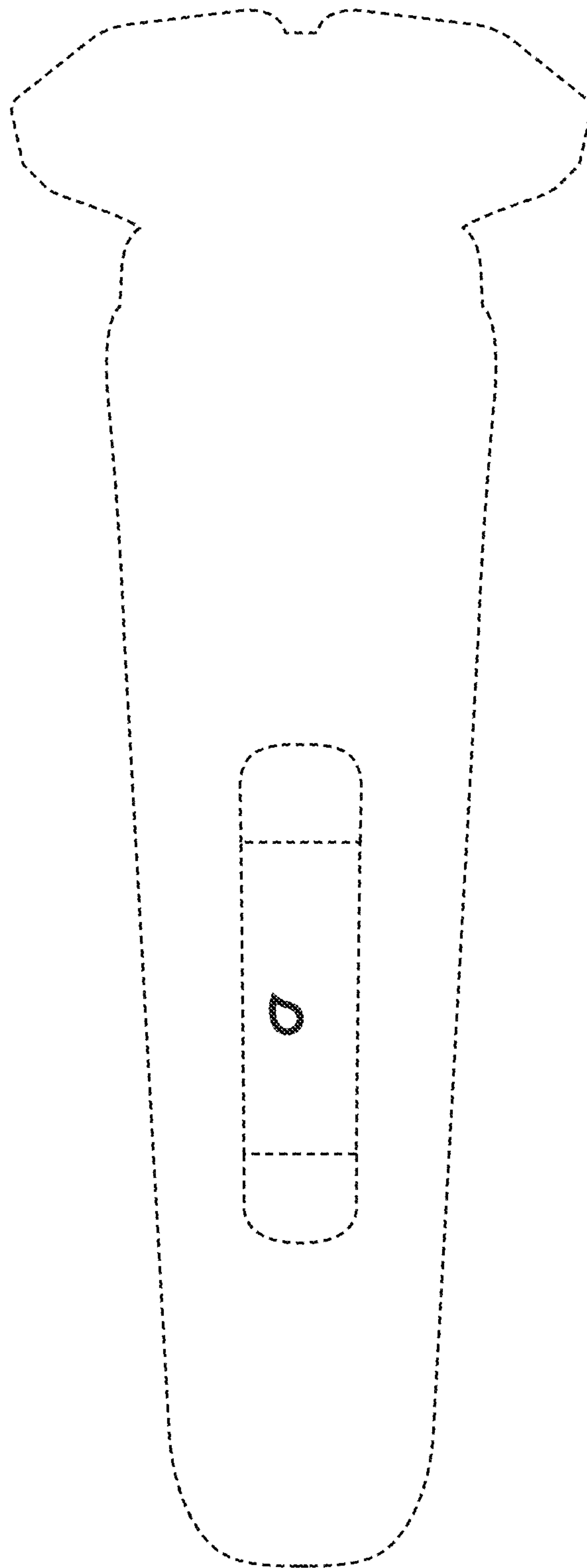


FIG. 9

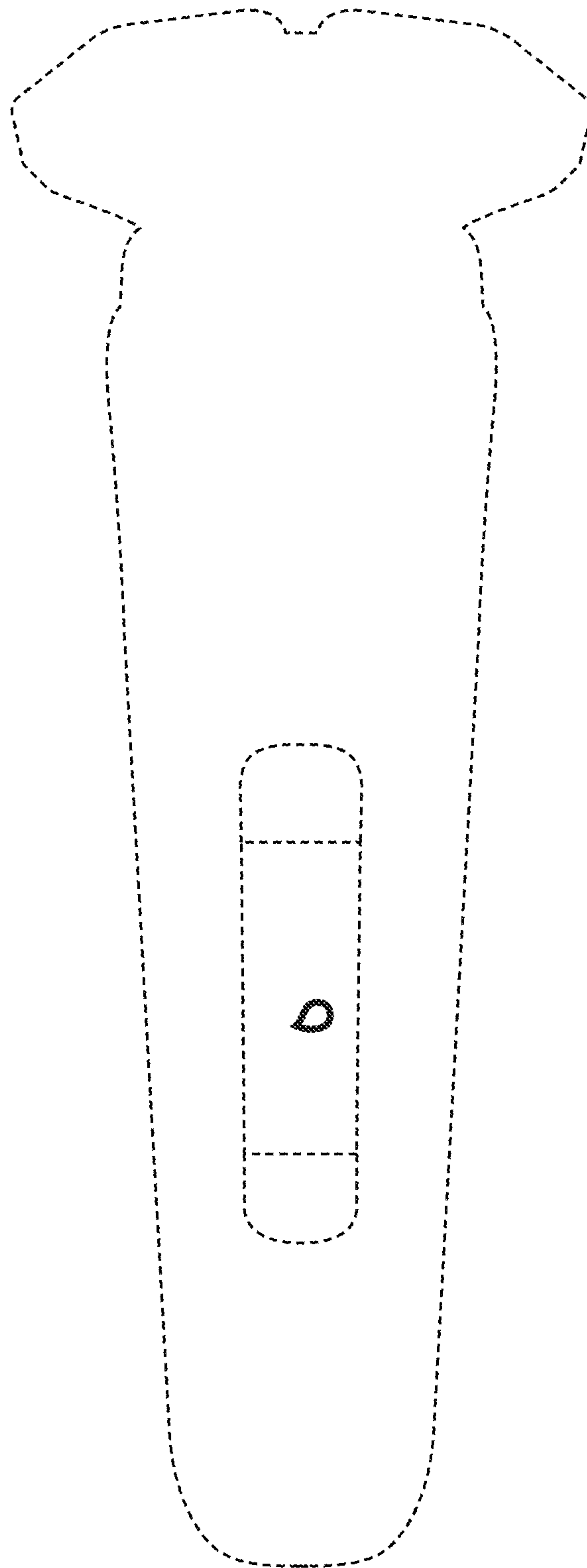


FIG. 10

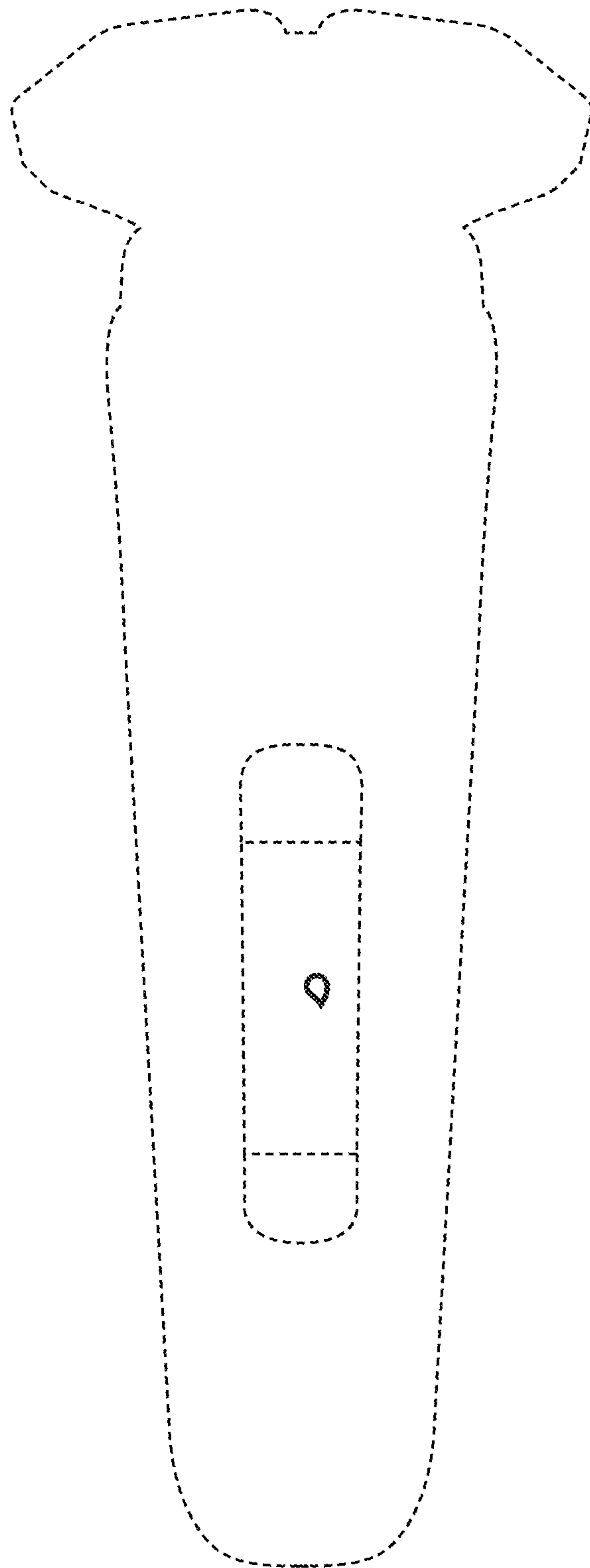


FIG. 11

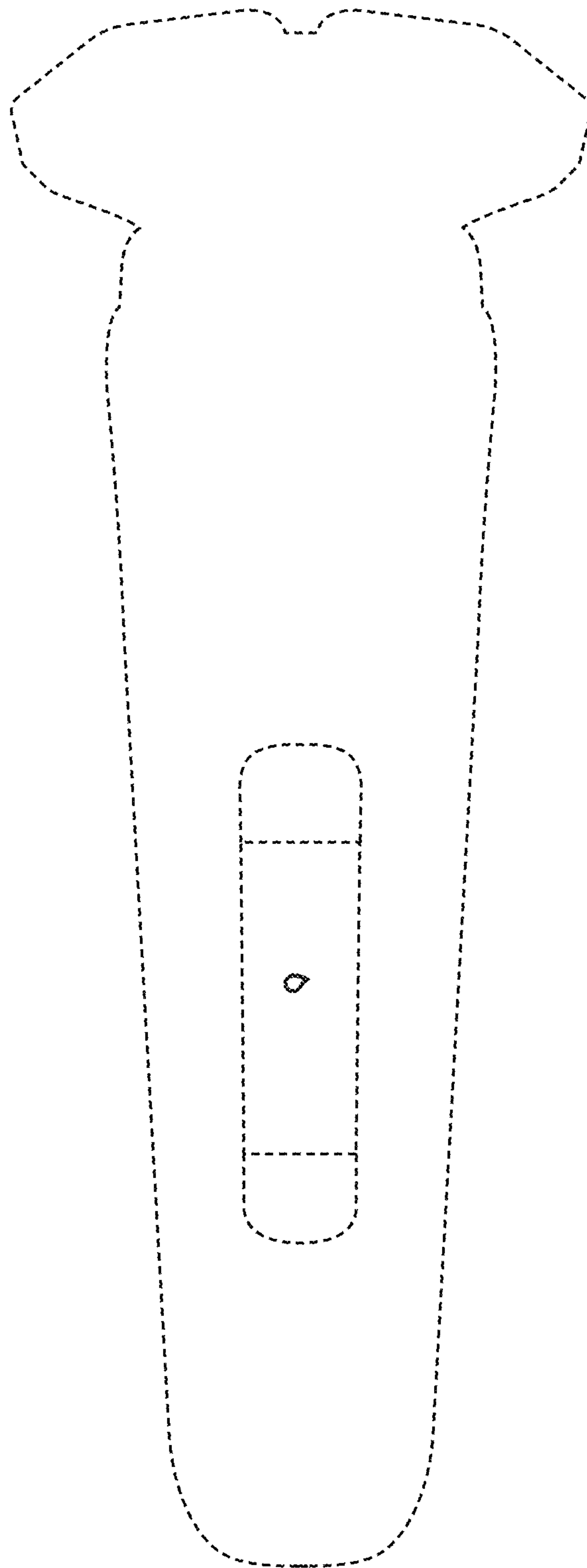


FIG. 12

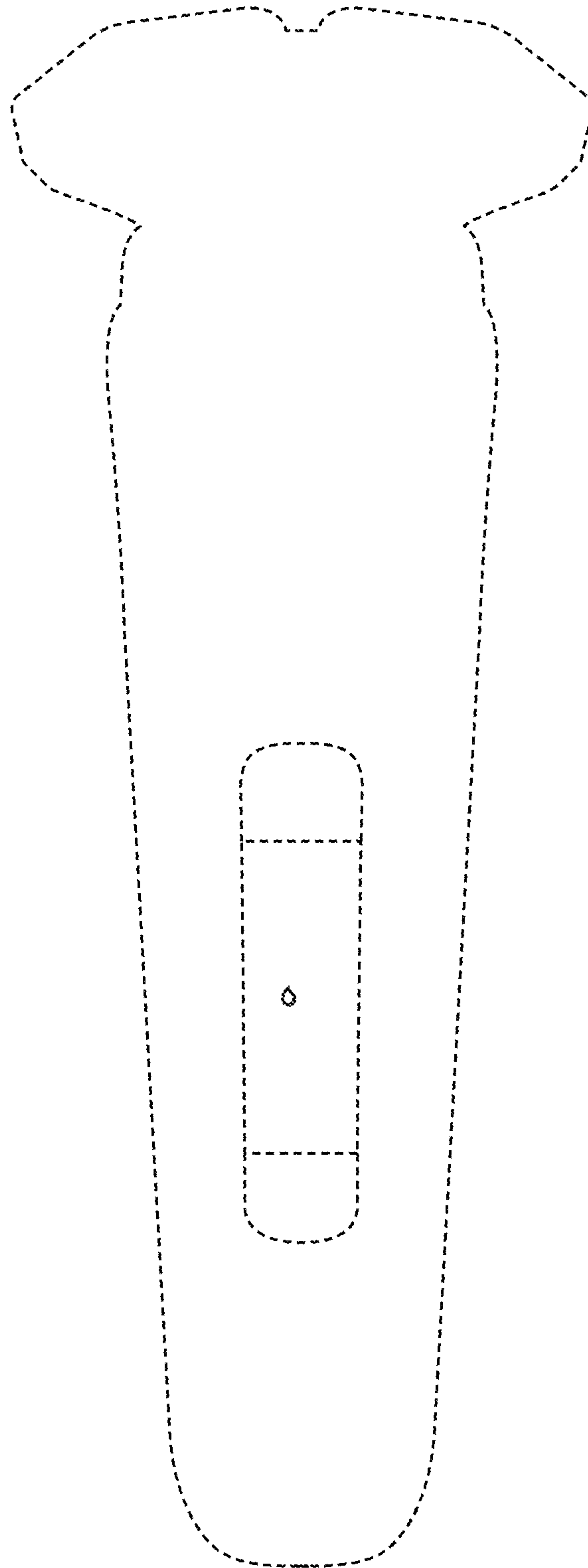


FIG. 13

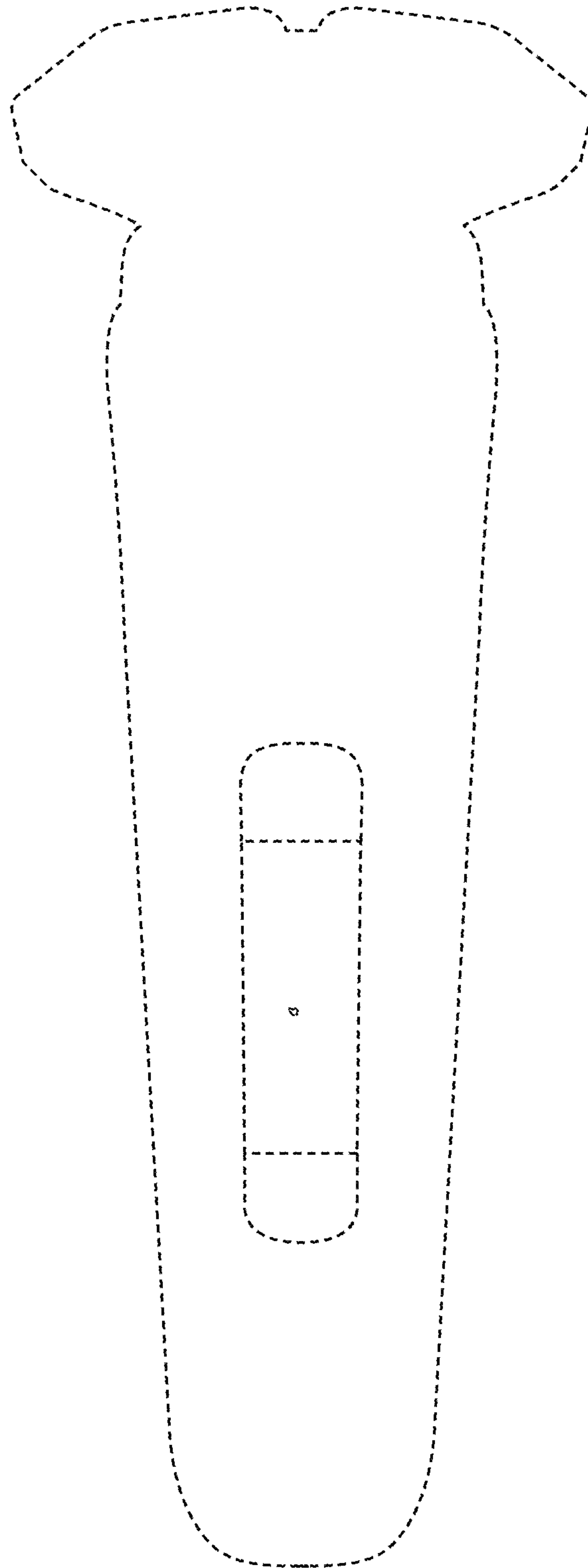


FIG. 14