



US00D988346S

(12) **United States Design Patent** (10) **Patent No.:** **US D988,346 S**  
**Vojan et al.** (45) **Date of Patent:** **\*\* Jun. 6, 2023**

(54) **DISPLAY SCREEN OF AN ELECTRONIC DEVICE WITH A GRAPHICAL USER INTERFACE**

(71) Applicant: **Varian Medical Systems, Inc.**, Palo Alto, CA (US)

(72) Inventors: **Filip Vojan**, Palo Alto, CA (US); **Brian Spatola**, Palo Alto, CA (US)

(73) Assignee: **VARIAN MEDICAL SYSTEMS, INC.**, Palo Alto, CA (US)

(\*\*) Term: **15 Years**

(21) Appl. No.: **29/858,924**

(22) Filed: **Nov. 4, 2022**

**Related U.S. Application Data**

(60) Division of application No. 29/832,685, filed on Mar. 29, 2022, now Pat. No. Des. 975,112, which is a continuation of application No. 29/764,472, filed on Dec. 30, 2020, now Pat. No. Des. 951,274.

(51) **LOC (14) Cl.** ..... **14-04**

(52) **U.S. Cl.**  
USPC ..... **D14/485**

(58) **Field of Classification Search**

USPC ..... D14/485-495  
CPC .... G06F 3/048; G06F 3/0481; G06F 3/04817; G06F 3/0482; G06F 3/0483; G06F 3/0484; G06F 3/0485; G06F 3/04855; G06F 3/0486; G06F 3/0488; G06F 3/04886; G06F 3/04847; G06F 40/103; G06F 40/106; G01S 13/89; A61B 5/055; A61B 5/6823; A61B 5/742; A61B 6/037; A61B 6/04; G06T 2207/30196; G06T 19/00; G06T 7/12; A61N 1/37247

See application file for complete search history.

(56) **References Cited**

**U.S. PATENT DOCUMENTS**

4,774,411 A 9/1988 Span  
5,027,818 A \* 7/1991 Bova ..... A61N 5/1049  
378/65  
5,490,513 A \* 2/1996 Damadian ..... G01R 33/34046  
324/309  
D400,196 S 10/1998 Cameron et al.  
(Continued)

**OTHER PUBLICATIONS**

“Stereotactic Radiosurgery: Indications and General Technical Considerations” May 19, 2012, What-When-How, site visited Jan. 13, 2023: <http://what-when-how.com/wp-content/uploads/2012/05/tmp1A44.jpg> (Year: 2012).\*

(Continued)

*Primary Examiner* — Katherine A Holbrow

*Assistant Examiner* — Christopher M Spivey

(74) *Attorney, Agent, or Firm* — Foley & Lardner LLP

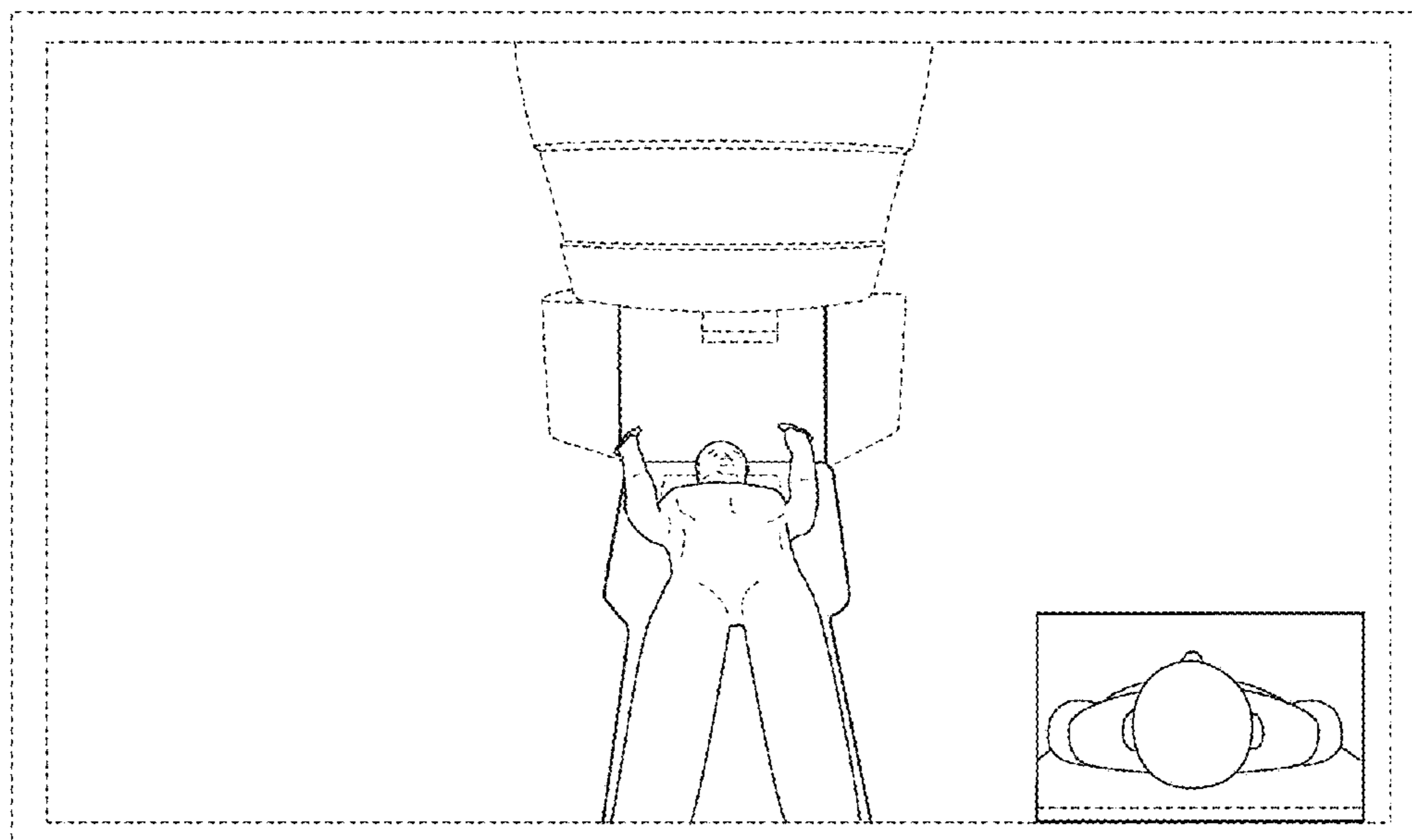
(57) **CLAIM**

The ornamental design for a display screen of an electronic device with a graphical user interface, as shown and described.

**DESCRIPTION**

FIG. 1 illustrates a front view for a display screen of an electronic device with a graphical user interface, in accordance with a first embodiment of our design; and, FIG. 2 illustrates a front view for a display screen of an electronic device with a graphical user interface, in accordance with a second embodiment of our design. The broken line showing portions of the display screen and electronic device illustrates unclaimed environment and forms no part of the claimed design. The broken line showing portions of the graphical user interface illustrate unclaimed portions of the graphical user interface and forms no part of the claimed design.

**1 Claim, 2 Drawing Sheets**



(56)

References Cited

U.S. PATENT DOCUMENTS

D483,381 S 12/2003 Platz  
 7,253,766 B2 8/2007 Foote et al.  
 7,267,482 B2 9/2007 Ohishi  
 7,365,538 B2\* 4/2008 Lehtonen-Krause .....  
 A61B 5/0037  
 324/307  
 7,835,778 B2 11/2010 Foley et al.  
 8,190,234 B2\* 5/2012 Green ..... G01R 33/3806  
 5/601  
 D680,552 S 4/2013 Mckieman  
 D742,907 S \* 11/2015 Lee ..... D14/486  
 D743,982 S 11/2015 Lee et al.  
 9,180,302 B2\* 11/2015 Drees ..... G06F 3/03545  
 D771,089 S 11/2016 Guntzer et al.  
 D777,191 S 1/2017 Polimeni  
 D783,032 S 4/2017 Cashner et al.  
 D815,133 S \* 4/2018 Fischer ..... D14/486  
 D822,684 S 7/2018 Niels et al.  
 D834,601 S 11/2018 Felt  
 D837,824 S 1/2019 Itano et al.  
 10,210,646 B2 2/2019 Moore et al.  
 D842,324 S \* 3/2019 Colin ..... D14/486  
 D842,325 S 3/2019 Colin et al.  
 D870,751 S 12/2019 Antonius et al.  
 D871,439 S 12/2019 Peeters et al.  
 10,493,298 B2\* 12/2019 Hampton ..... A61N 5/1049  
 D889,496 S \* 7/2020 Giannino ..... D14/486  
 D916,135 S 4/2021 Indorf et al.  
 D917,550 S \* 4/2021 Indorf ..... D14/488  
 D917,564 S \* 4/2021 Indorf ..... D14/495  
 D926,208 S 7/2021 Zheng et al.  
 D928,189 S \* 8/2021 Giannino ..... D14/486  
 D939,548 S \* 12/2021 Miyai ..... D14/486  
 D941,818 S 1/2022 Vojan et al.  
 D948,549 S 4/2022 Tiegong et al.  
 D948,550 S \* 4/2022 Zheng ..... D14/486  
 D951,274 S 5/2022 Vojan et al.  
 D959,450 S \* 8/2022 Nahavandi ..... D14/485  
 D962,979 S \* 9/2022 Kim ..... D14/486

2004/0138553 A1 7/2004 Damadian  
 2004/0138557 A1 7/2004 Le et al.  
 2007/0132597 A1 6/2007 Rodgers  
 2008/0182190 A1 7/2008 Arakawa  
 2008/0183190 A1 7/2008 Adcox et al.  
 2010/0155607 A1 6/2010 Hattori et al.  
 2014/0098933 A1\* 4/2014 Profio ..... A61B 6/03  
 345/1.3  
 2014/0278503 A1\* 9/2014 Birk ..... G16H 40/63  
 705/2  
 2014/0343628 A1 11/2014 Kaula et al.  
 2014/0348417 A1\* 11/2014 Moore ..... H04N 13/282  
 382/154  
 2015/0100066 A1 4/2015 Kostrzewski et al.  
 2016/0246935 A1\* 8/2016 Cerny ..... A61N 1/0551  
 2018/0116524 A1 5/2018 Aoshima et al.  
 2020/0038691 A1 2/2020 Fishman et al.  
 2020/0138395 A1 5/2020 Tsuchiya et al.  
 2020/0305813 A1 10/2020 Yoshida et al.  
 2021/0030306 A1 2/2021 Leussler et al.  
 2022/0203129 A1 6/2022 Vojan et al.

OTHER PUBLICATIONS

“Stereotactic Body Radiation Therapy (SBRT) to the Chest” Sep. 19, 2020, MSKCC, site visited Jan. 13, 2023: <https://web.archive.org/web/20200919194847/https://www.mskcc.org/cancer-care/patient-education/stereotactic-body-radiation-therapy-sbrr-chest> (Year: 2020).\*

“MRI—CT Scan Icon” CreativeFabrica, Apr. 28, 2020.

“Radiation therapy Medical logo vector icon design” DepositPhotos, Mar. 5, 2017.

Borodin, Serhii “Solarium Human treatment icon outline set stock illustration” iStockPhoto, May 11, 2020.

Notice of Allowance on U.S. Appl. No. 29/832,685 dated Aug. 31, 2022.

Restriction Requirement on U.S. Appl. No. 29/832,685 dated May 25, 2022 (6 pages).

U.S. Notice of Allowance on U.S. Appl. No. 29/764, 472 dated Dec. 30, 2021 (11 pages).

\* cited by examiner

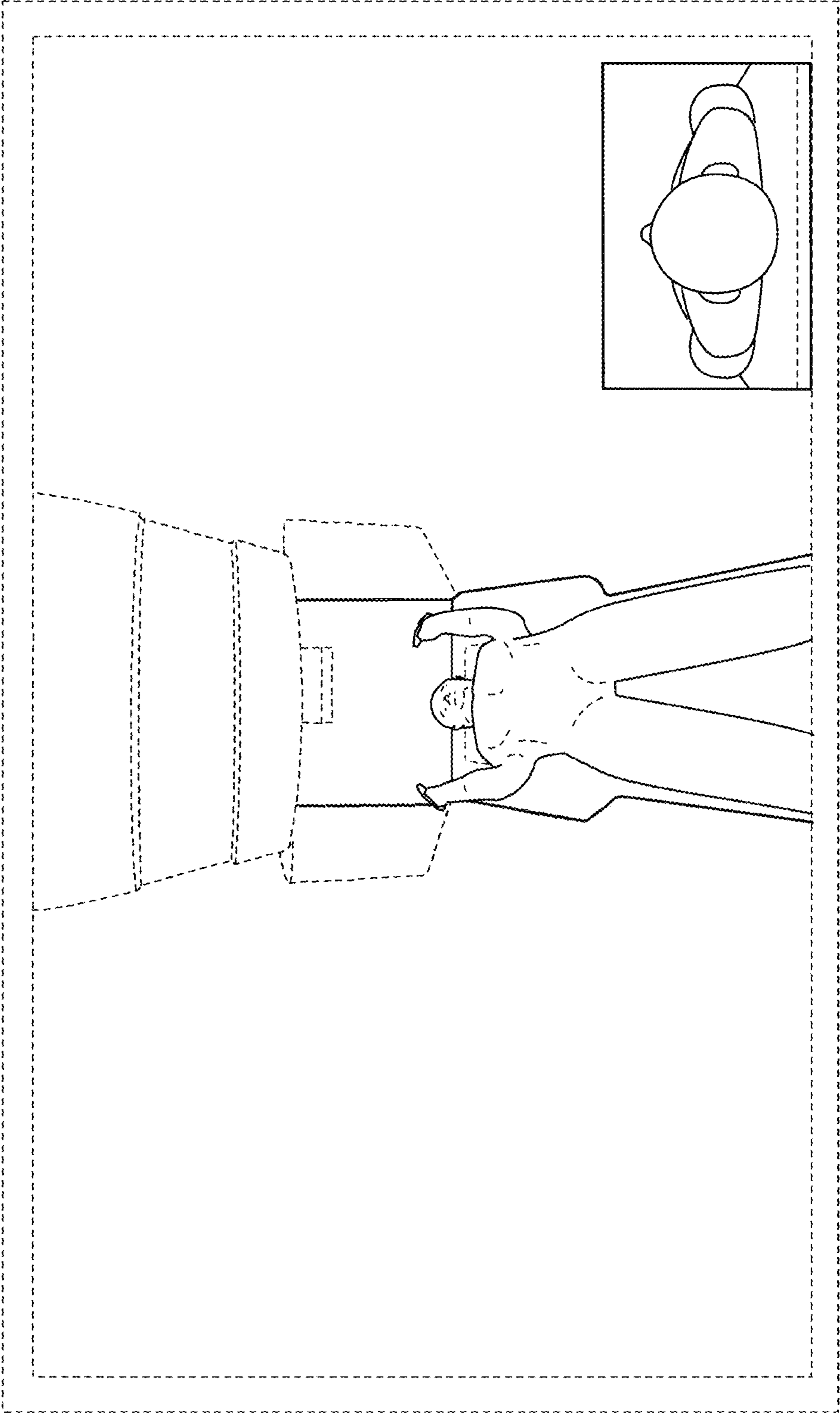


FIG. 1

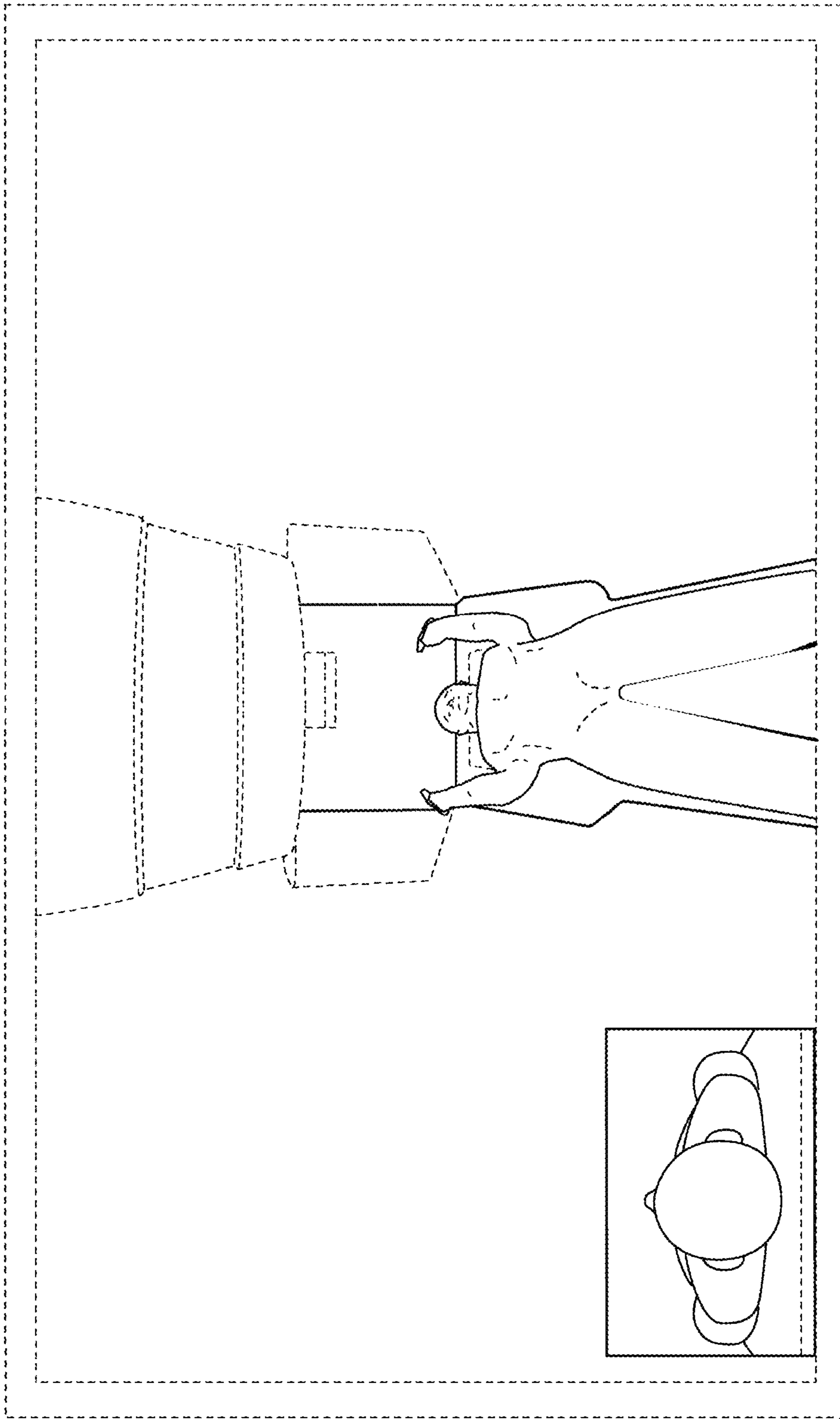


FIG. 2