



US00D988334S

(12) **United States Design Patent**  
**Watanabe et al.**

(10) **Patent No.:** **US D988,334 S**  
(45) **Date of Patent:** **\*\* Jun. 6, 2023**

(54) **VEHICLE WINDOW WITH ANIMATED GRAPHICAL USER INTERFACE**

(71) Applicant: **SONY CORPORATION**, Tokyo (JP)

(72) Inventors: **Shoji Watanabe**, Kanagawa (JP);  
**Satoshi Akagawa**, Tokyo (JP); **Ayaka Satoh**, Kanagawa (JP)

(73) Assignee: **SONY CORPORATION**, Tokyo (JP)

(\*\*) Term: **15 Years**

(21) Appl. No.: **29/671,997**

(22) Filed: **Nov. 30, 2018**

(51) **LOC (14) Cl.** ..... **12-16**

(52) **U.S. Cl.**  
USPC ..... **D12/182**; D14/485

(58) **Field of Classification Search**  
USPC ..... D14/485-495; D20/10, 11, 22-33, 39,  
D20/40; D12/182

(Continued)

(56) **References Cited**

**U.S. PATENT DOCUMENTS**

D577,736 S \* 9/2008 Ryu ..... D14/486  
D607,388 S \* 1/2010 Mahoney ..... D12/182

(Continued)

**OTHER PUBLICATIONS**

Color Changing Border Green Screen, by ItsFrida, YouTube [online], published on Jun. 24, 2016, [retrieved on Jan. 7, 2022], retrieved from the Internet <URL: <https://www.youtube.com/watch?v=Vsly-F7Gw3k>> (Year: 2016).\*

*Primary Examiner* — Ian F Whitmore

(74) *Attorney, Agent, or Firm* — Michael Best and Friedrich LLP

(57) **CLAIM**

The ornamental design for a vehicle window with an animated graphical user interface, as shown and described.

**DESCRIPTION**

FIG. 1 is a front view of a first embodiment of a vehicle window with a first image of an animated graphical user interface showing our new design;

FIG. 2 is a front view thereof with a second image;

FIG. 3 is a front view thereof with a third image; and

FIG. 4 is a front view thereof with a fourth image.

FIG. 5 is a partially enlarged front view thereof along the lines 5-5 of FIG. 1;

FIG. 6 is a partially enlarged front view thereof along the lines 6-6 of FIG. 2;

FIG. 7 is a partially enlarged front view thereof along the lines 7-7 of FIG. 3; and

FIG. 8 is a partially enlarged front view thereof along the lines 8-8 of FIG. 4.

FIG. 9 is a front view of a second embodiment of a vehicle window with a first image of an animated graphical user interface showing our new design;

FIG. 10 is a front view thereof with a second image;

FIG. 11 is a front view thereof with a third image; and

FIG. 12 is a front view thereof with a fourth image.

FIG. 13 is a partially enlarged front view thereof along the lines 13-13 of FIG. 9;

FIG. 14 is a partially enlarged front view thereof along the lines 14-14 of FIG. 10;

FIG. 15 is a partially enlarged front view thereof along the lines 15-15 of FIG. 11 and

FIG. 16 is a partially enlarged front view thereof along the lines 16-16 of FIG. 12.

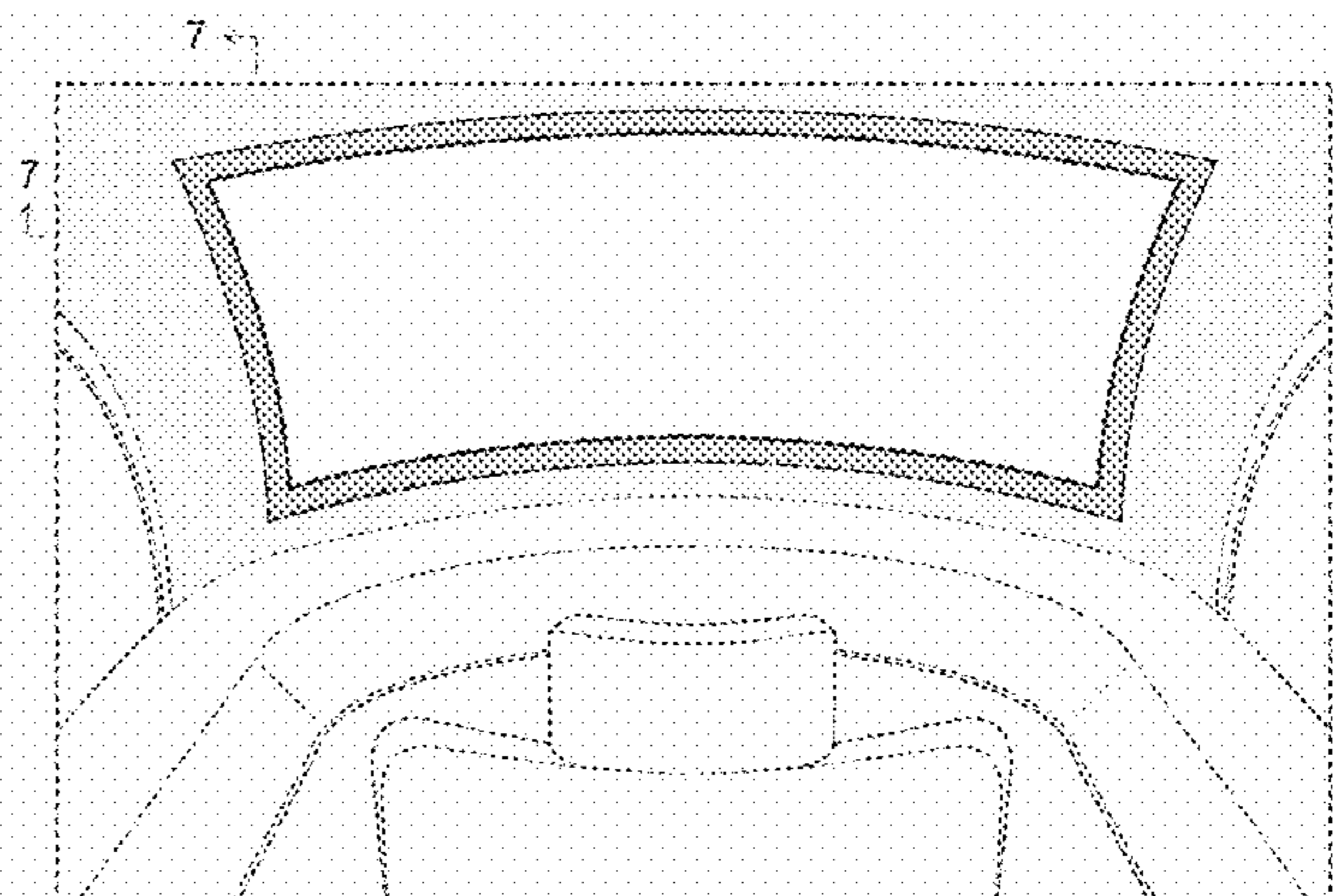
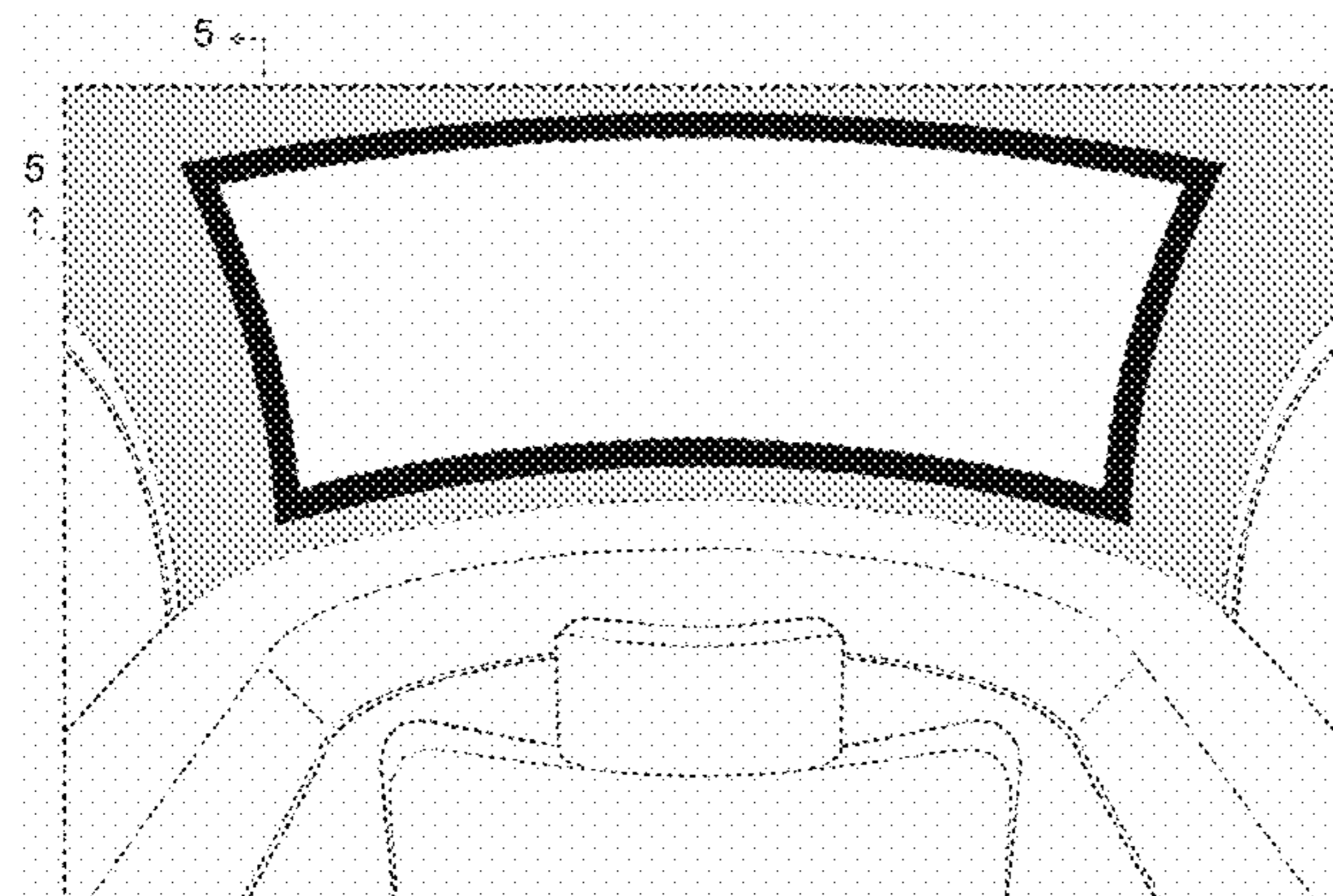
FIG. 17 is a front view of a vehicle that includes the vehicle window shown in FIG. 1;

FIG. 18 is a right side elevational view thereof, wherein FIGS. 1-8 are viewed from the line C-C of FIG. 18 at the lines A-A of FIG. 17 and the lines B-B of FIG. 18.

FIG. 19 is a front view of a vehicle that includes the vehicle window shown in FIG. 9; and,

FIG. 20 is a right side elevational view thereof, wherein FIGS. 9-16 are viewed from the line C-C of FIG. 20 at the lines A-A of FIG. 19 and the lines B-B of FIG. 20.

(Continued)



The dot-dash broken lines, which demarcate portions of a vehicle window, define the boundaries of the claimed design and form no part thereof. The even-dash broken lines, which illustrate portions of a vehicle, form no part of the claimed design. The portions of the graphical user interface shown in faded tone beyond the perimeter of the dot-dash broken lines form no part of the claimed design.

The appearance of the transitional image sequentially transitions between the images shown in FIGS. 1-4 and 5-8 in the first embodiment, FIGS. 9-12 and 13-16 in the second embodiment. The process or period in which an image transitions to another forms no part of the claimed design.

**1 Claim, 12 Drawing Sheets**

(58) **Field of Classification Search**

CPC ..... G06F 3/048-04897; G06F 17/5095; G01C 21/36; G08G 1/0962; G08G 1/123; B60K 37/00

See application file for complete search history.

(56) **References Cited**

U.S. PATENT DOCUMENTS

D709,954 S \* 7/2014 Kasper ..... D20/27  
 D721,626 S \* 1/2015 Campbell ..... D12/182  
 D736,807 S \* 8/2015 Lee ..... D14/486

D741,760 S \* 10/2015 Behmer ..... D12/182  
 D757,036 S \* 5/2016 Raskin ..... D14/485  
 D760,242 S \* 6/2016 Kaplan ..... D14/485  
 D765,093 S \* 8/2016 Sonoda ..... D14/485  
 D768,146 S \* 10/2016 Osotio ..... D14/485  
 D768,177 S \* 10/2016 Han ..... D14/486  
 D768,645 S \* 10/2016 Osotio ..... D14/485  
 D776,694 S \* 1/2017 Kim ..... D14/486  
 D799,530 S \* 10/2017 Wu ..... D14/486  
 D823,323 S \* 7/2018 Adriaensen ..... D14/485  
 D834,602 S \* 11/2018 Bao ..... D14/486  
 D849,770 S \* 5/2019 Matas ..... D14/486  
 D853,410 S \* 7/2019 Barnett ..... D14/485  
 D865,779 S \* 11/2019 Lee ..... D14/486  
 D869,480 S \* 12/2019 Barnett ..... D14/485  
 D874,503 S \* 2/2020 Maddux ..... D14/486  
 D887,424 S \* 6/2020 Fukushima ..... D14/485  
 D900,124 S \* 10/2020 Matas ..... D14/485  
 D911,381 S \* 2/2021 Ko ..... D14/488  
 D920,348 S \* 5/2021 Patel ..... D14/485  
 10,999,516 B1 \* 5/2021 McCauley ..... H04N 5/2252  
 D940,747 S \* 1/2022 Chen ..... D14/488  
 D941,310 S \* 1/2022 Mao ..... D14/485  
 D943,615 S \* 2/2022 Shinohara ..... D14/486  
 D947,208 S \* 3/2022 Kiikkala ..... D14/485  
 D947,881 S \* 4/2022 Thorp ..... D14/487  
 D949,893 S \* 4/2022 Christie ..... D14/486  
 D954,074 S \* 6/2022 Niklasson ..... D14/485  
 D956,081 S \* 6/2022 Cheng ..... D14/486  
 2020/0092493 A1 \* 3/2020 McCauley ..... H04N 5/232939  
 2020/0312282 A1 \* 10/2020 Akagawa ..... G09G 5/377

\* cited by examiner

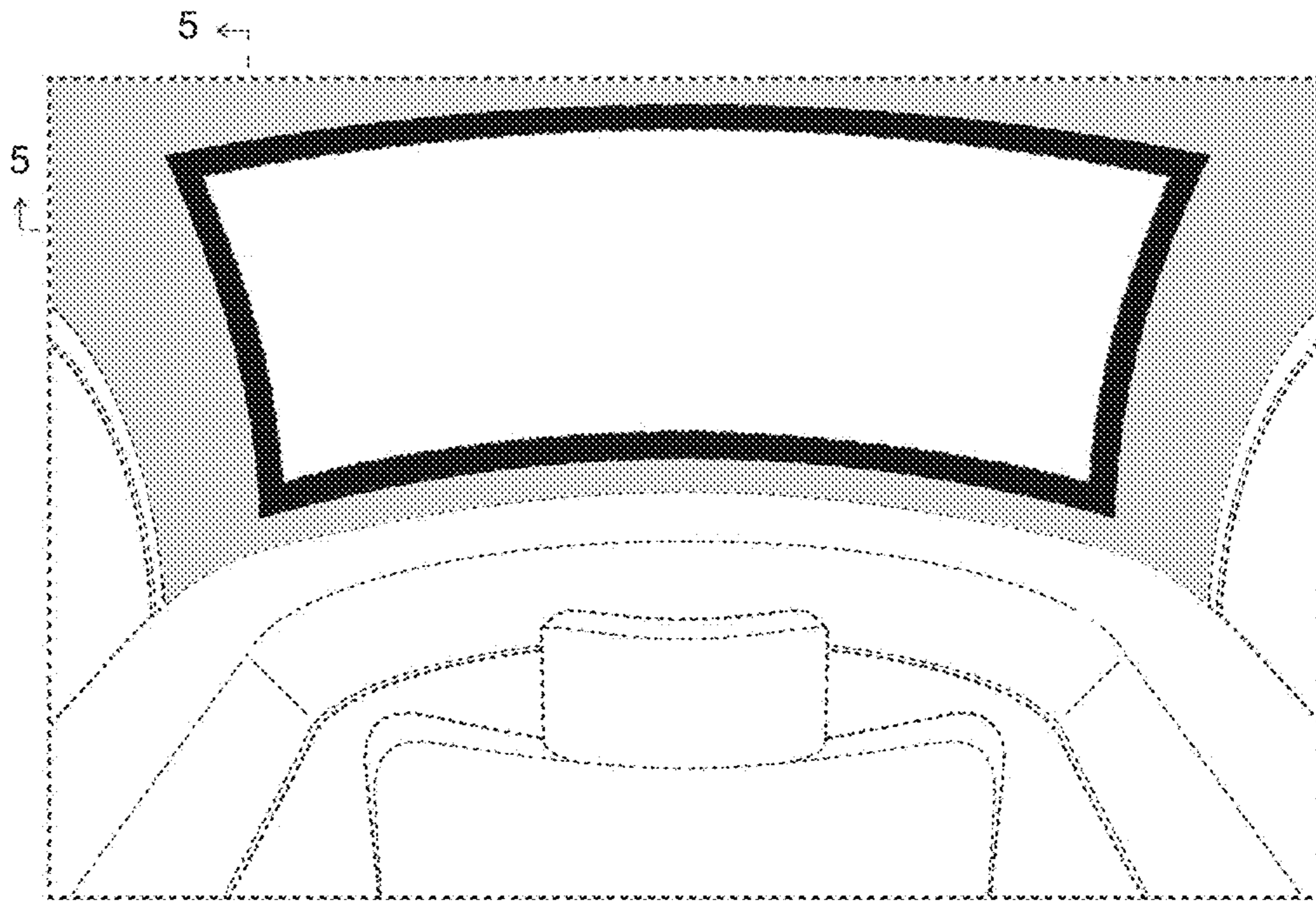


FIG. 1

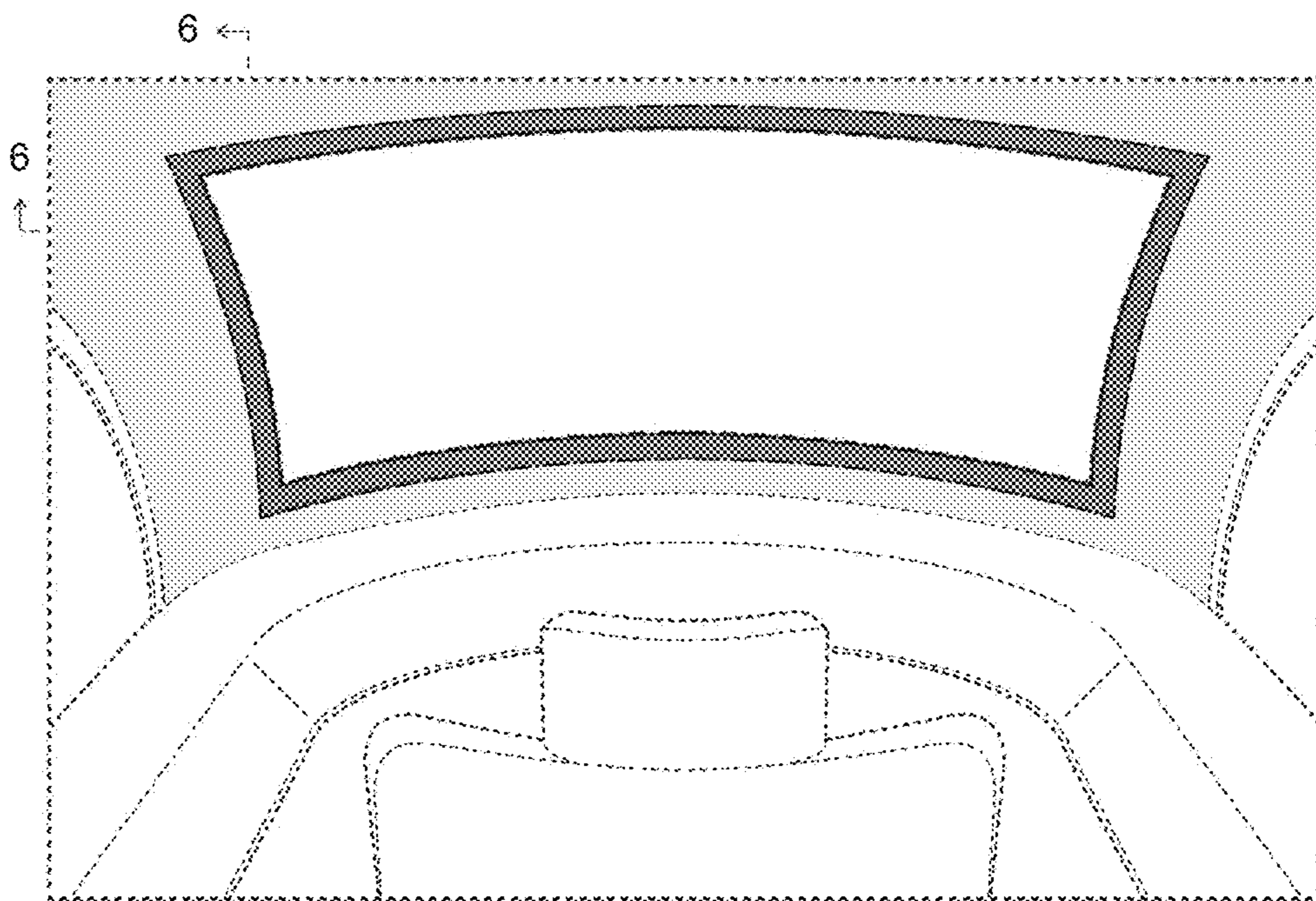


FIG. 2

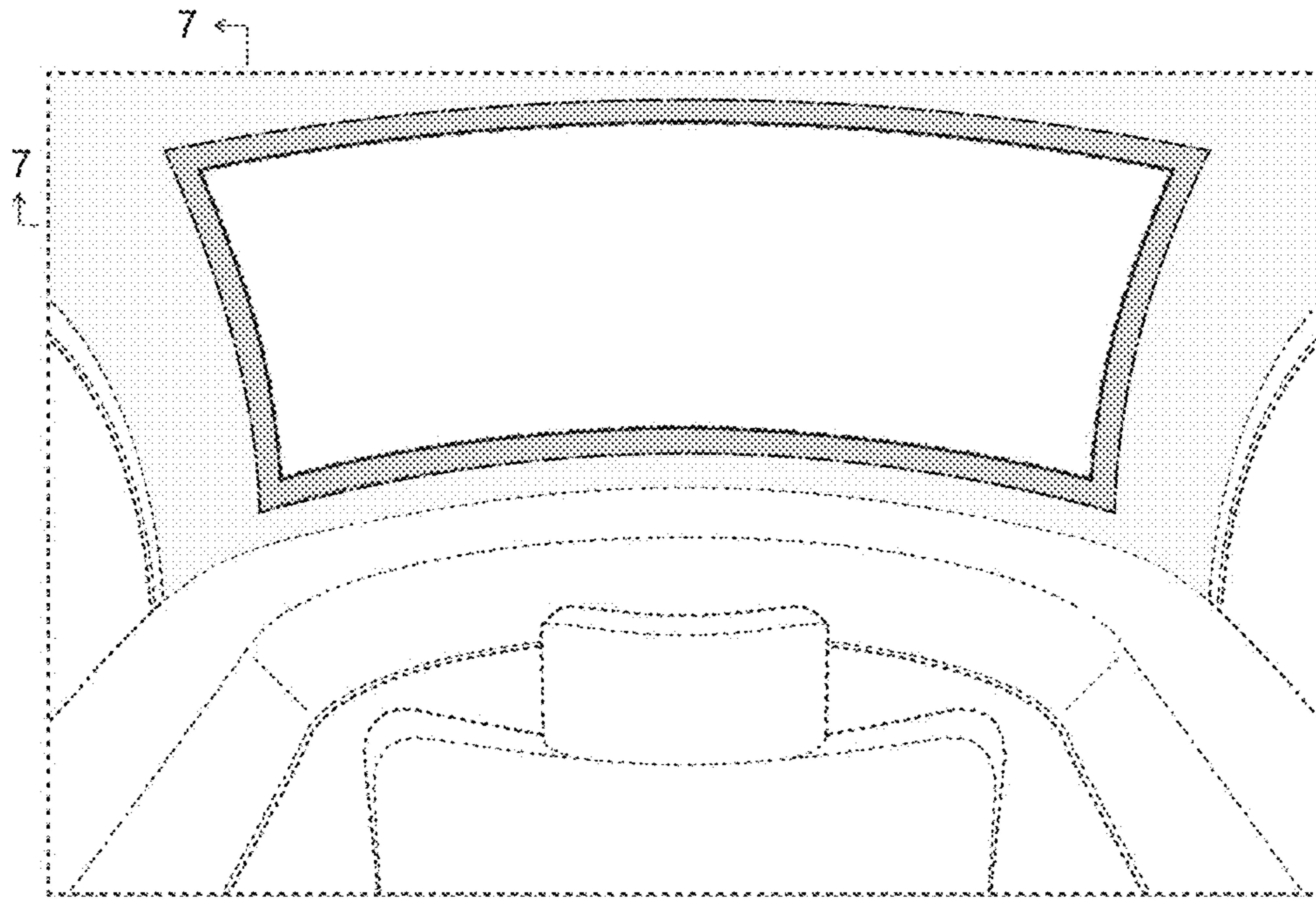


FIG.3

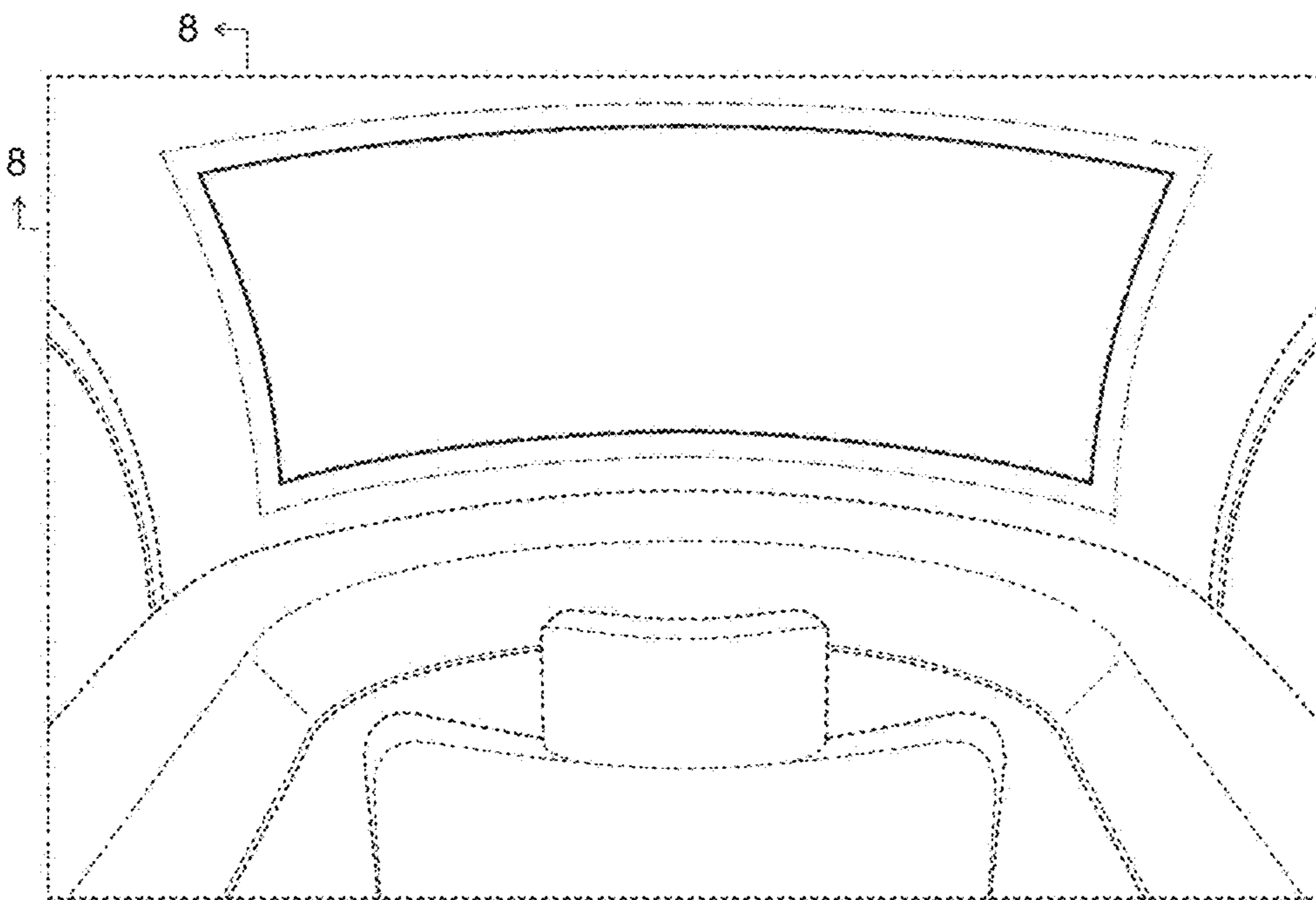


FIG.4

FIG.5

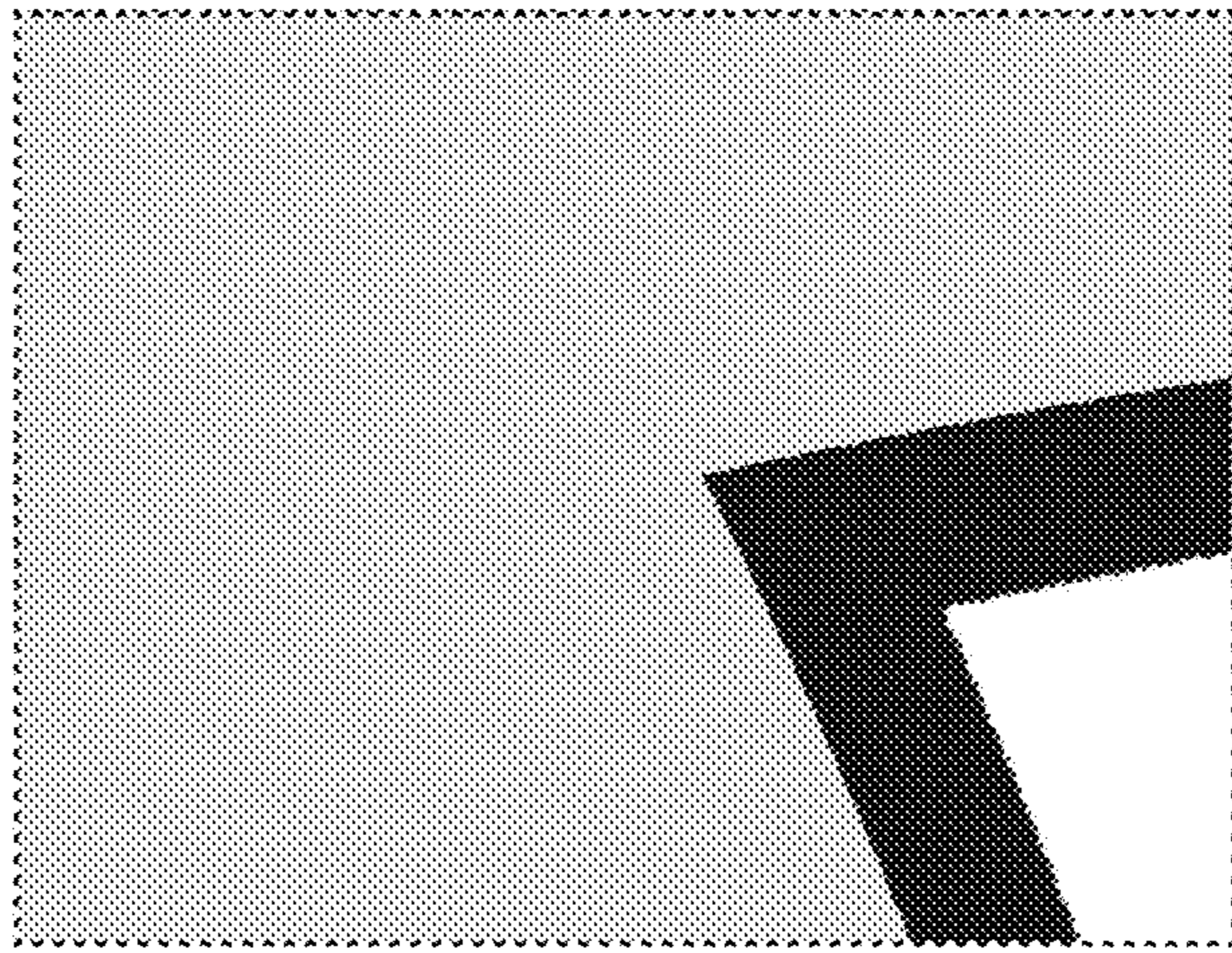


FIG.6

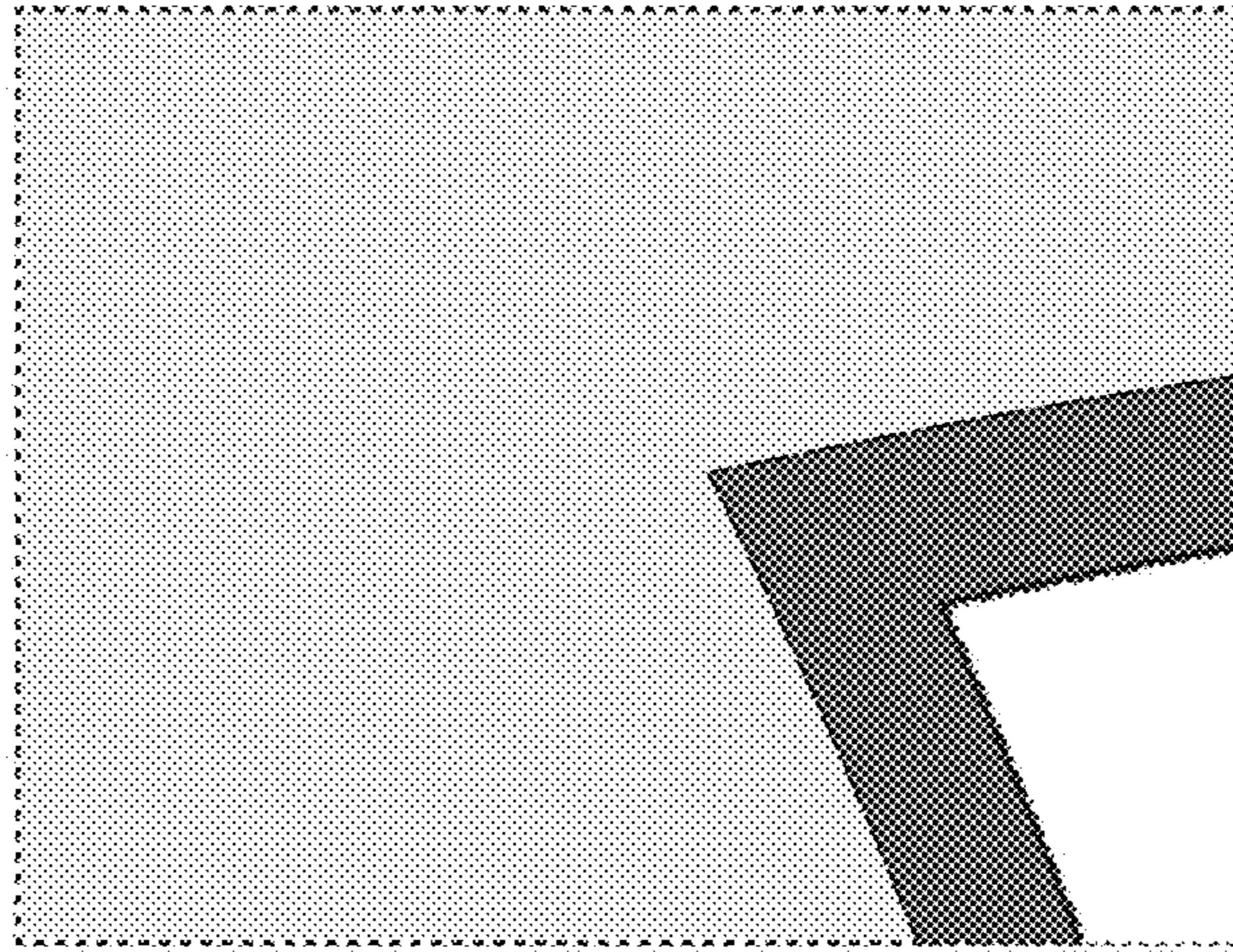


FIG.7

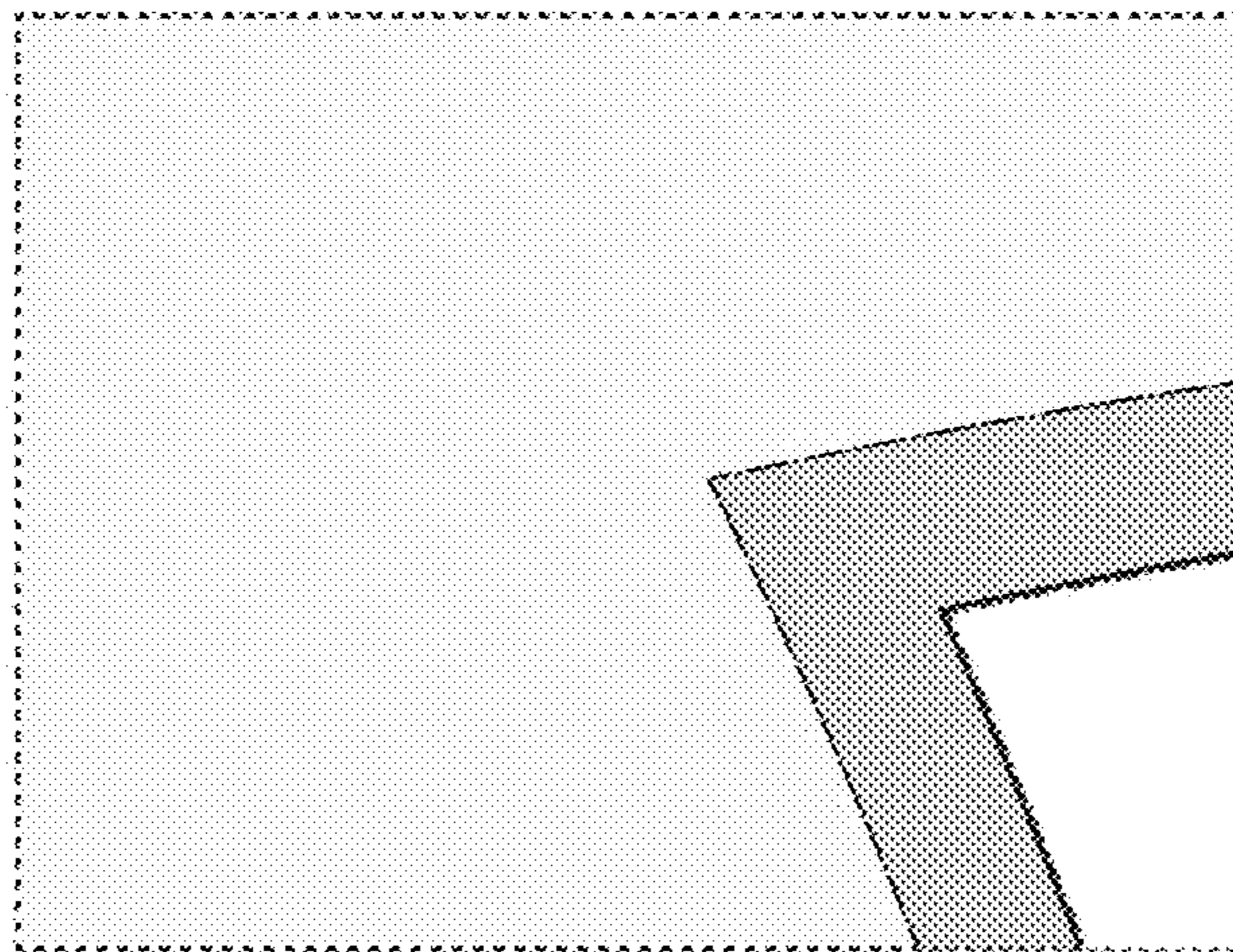
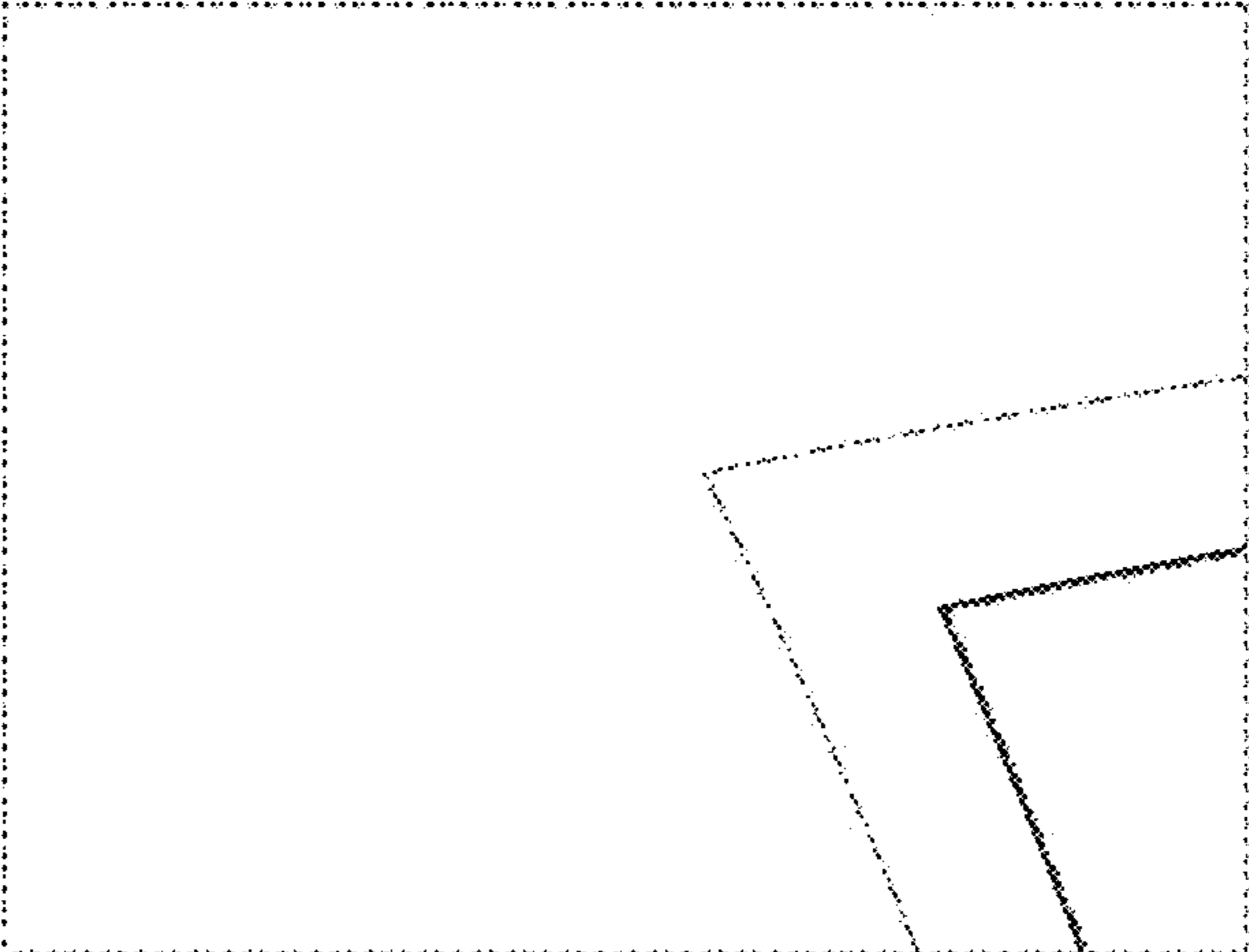


FIG.8



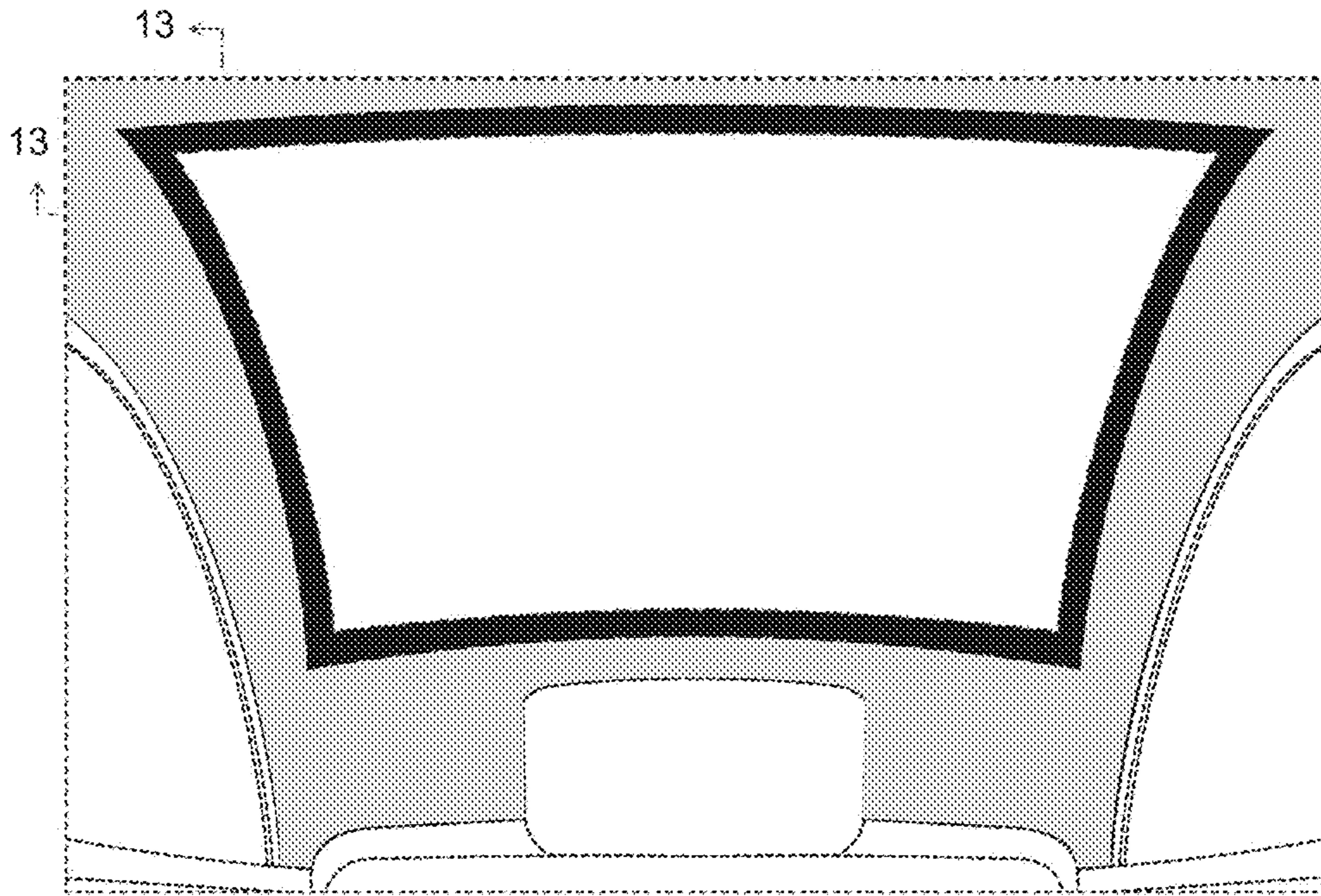


FIG.9

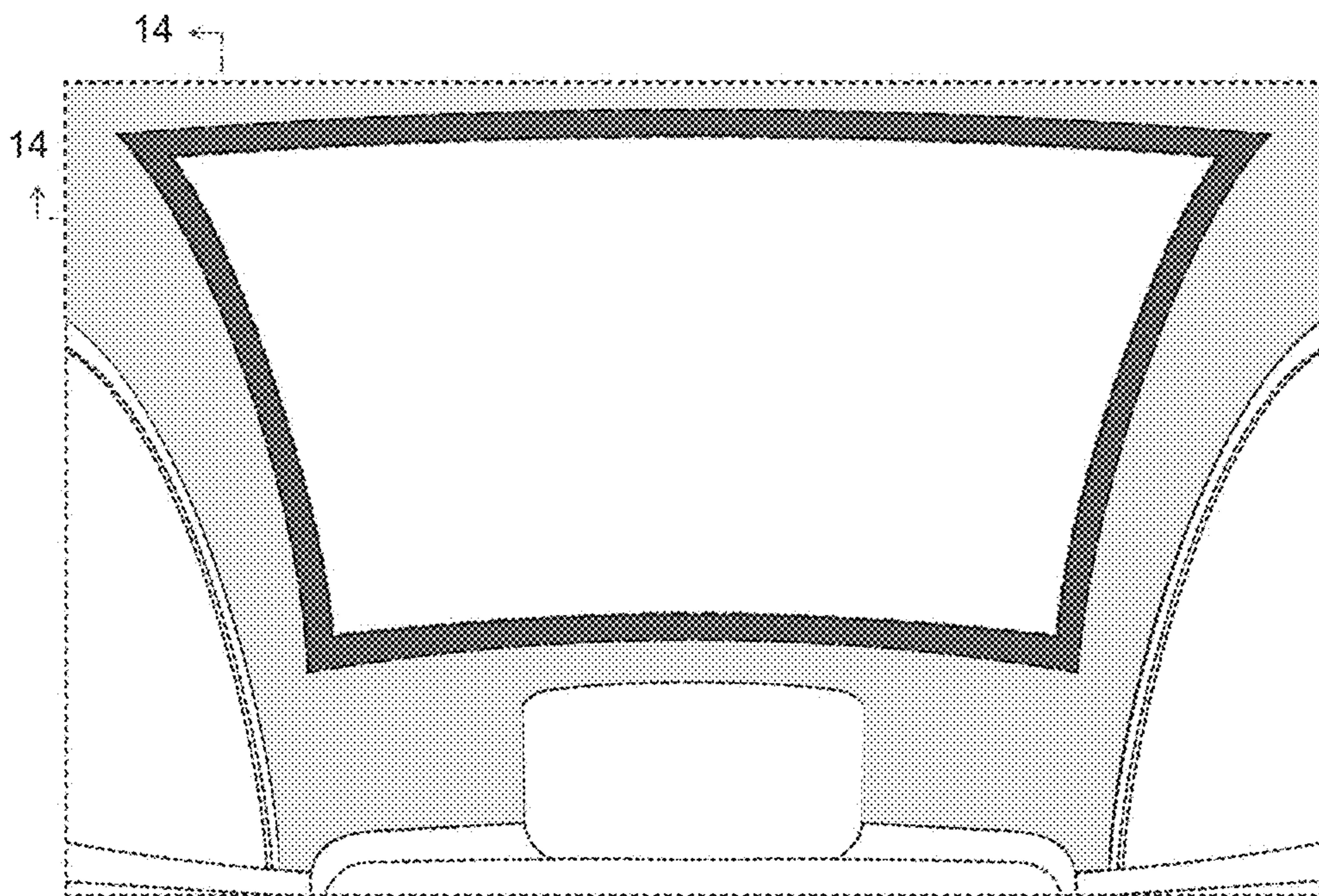


FIG.10



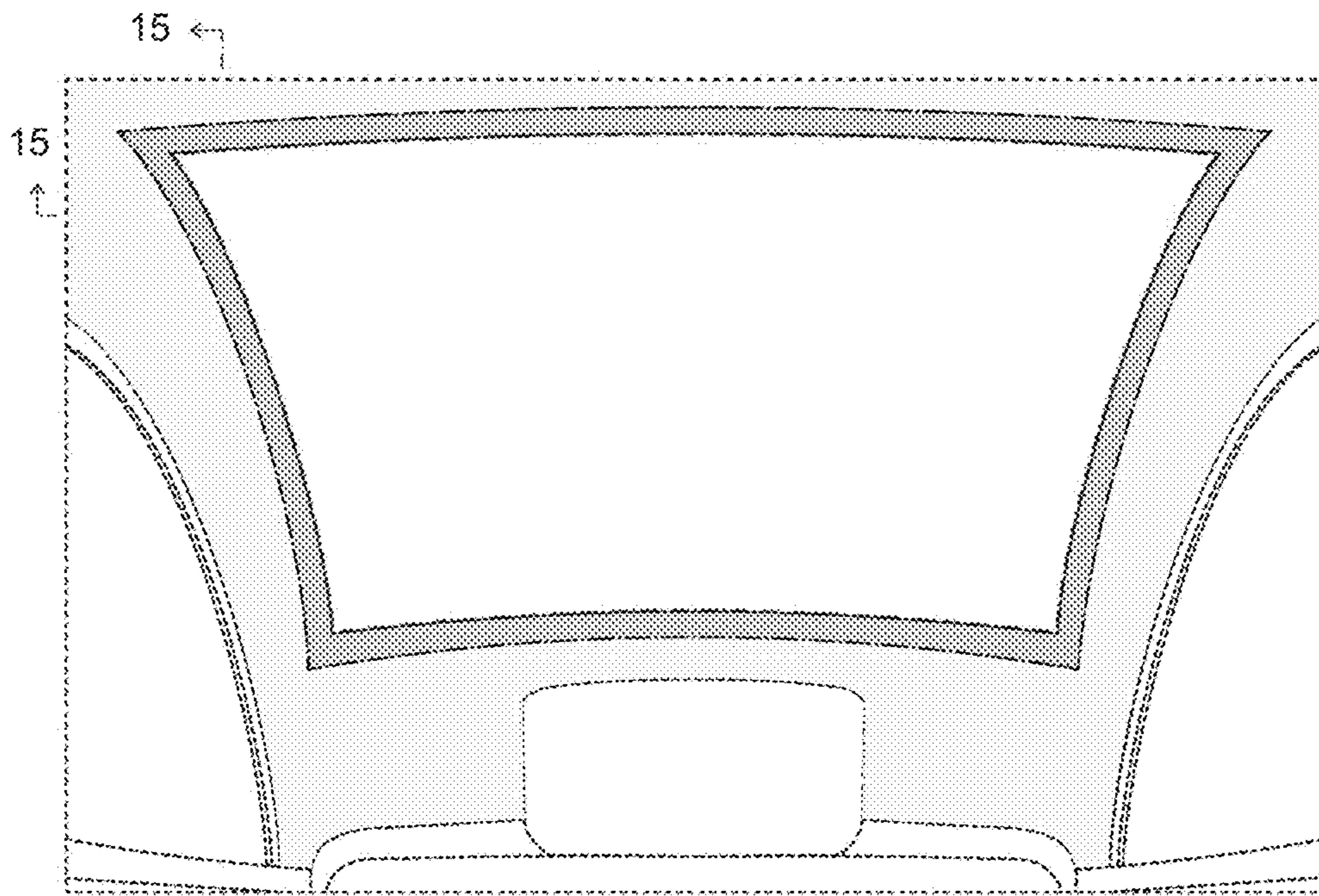


FIG.11

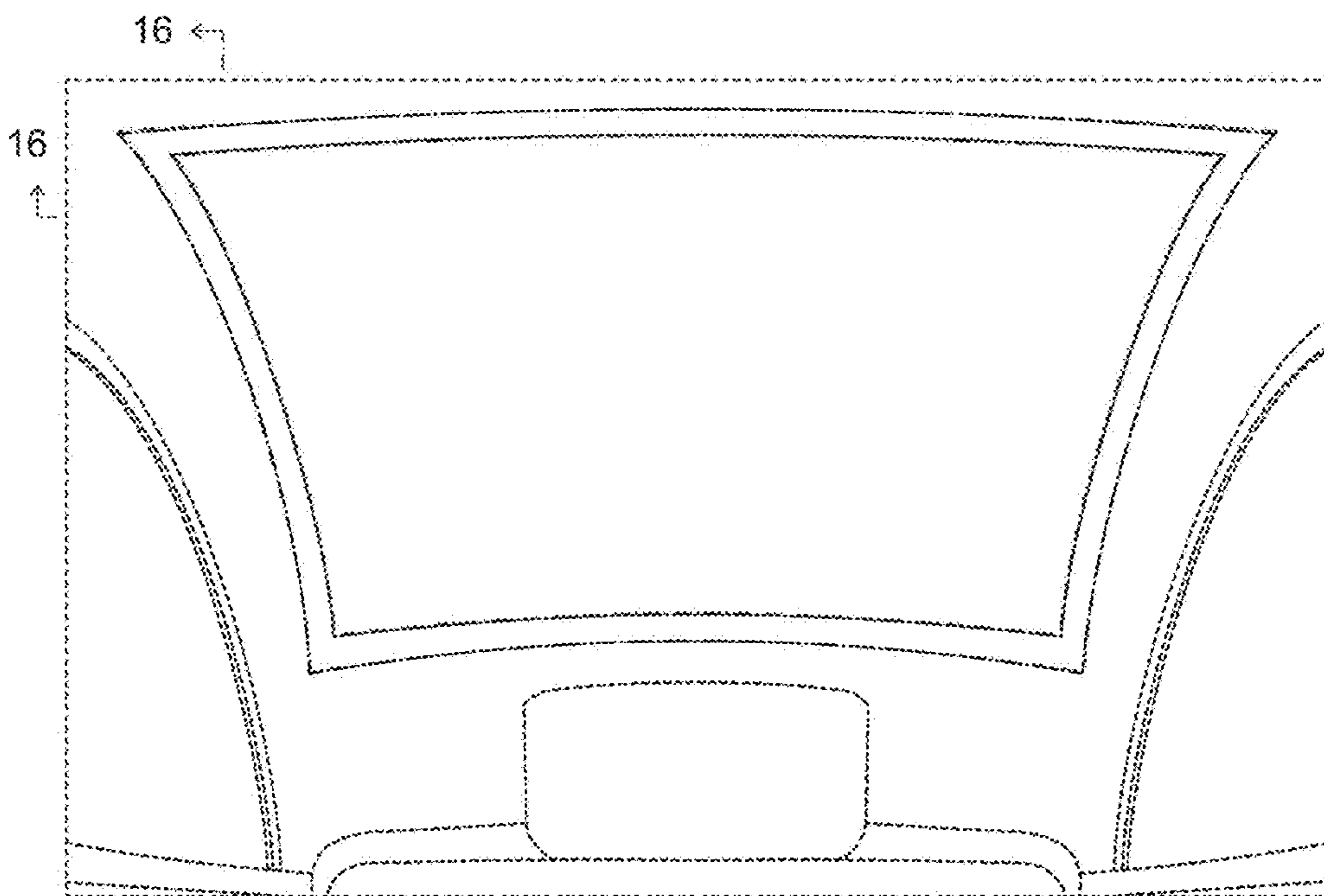


FIG.12

FIG.13

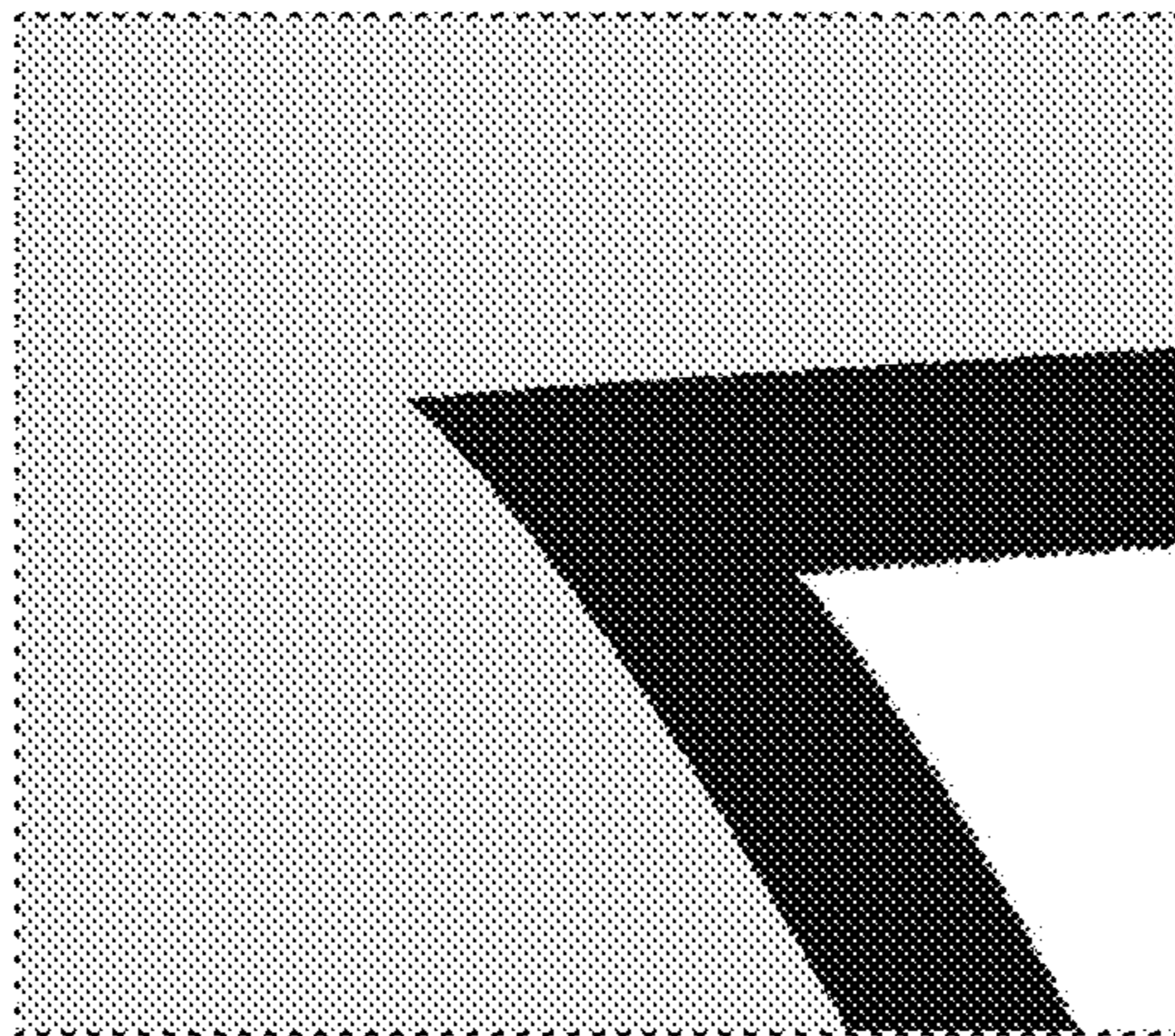


FIG.14

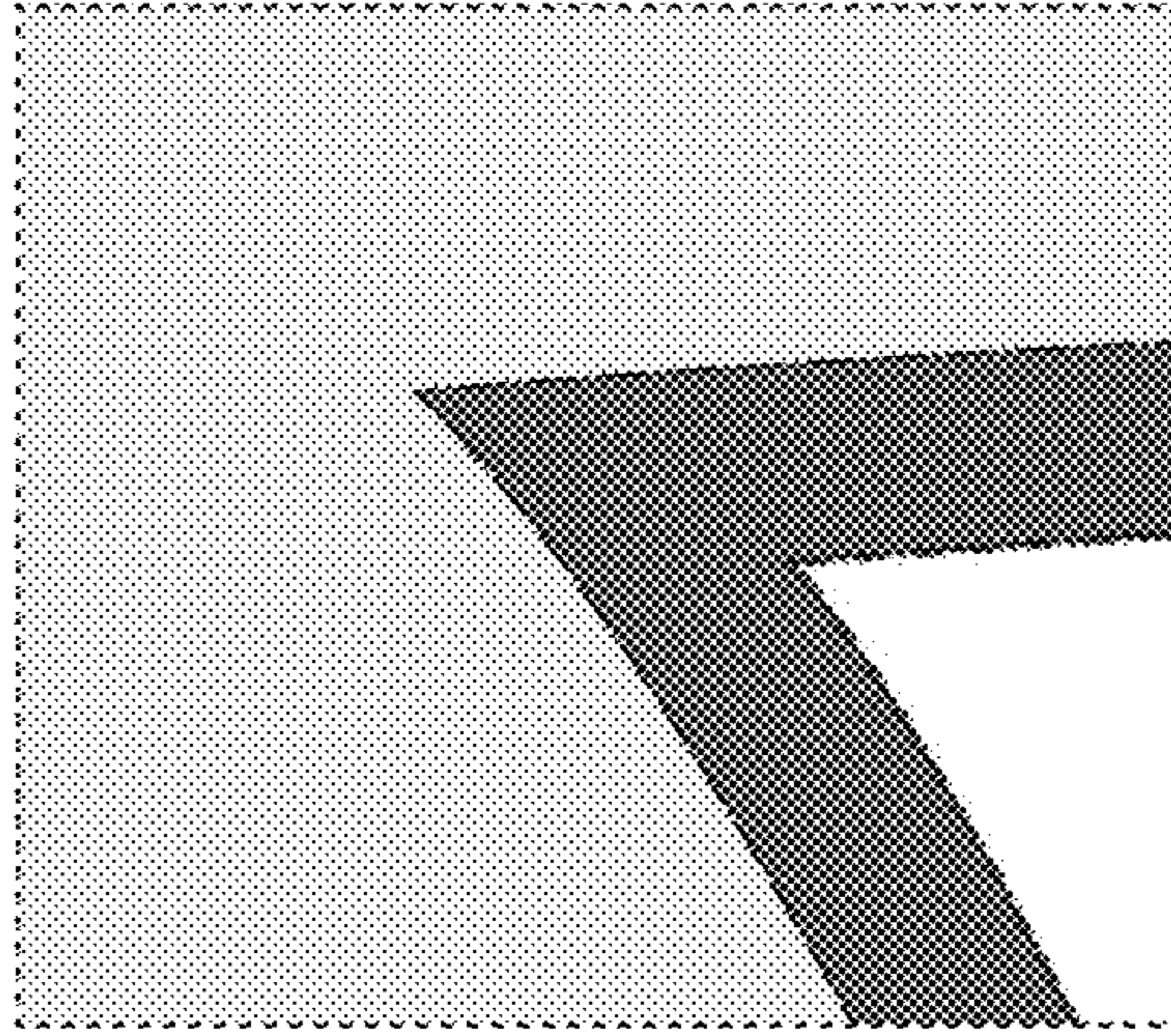


FIG.15

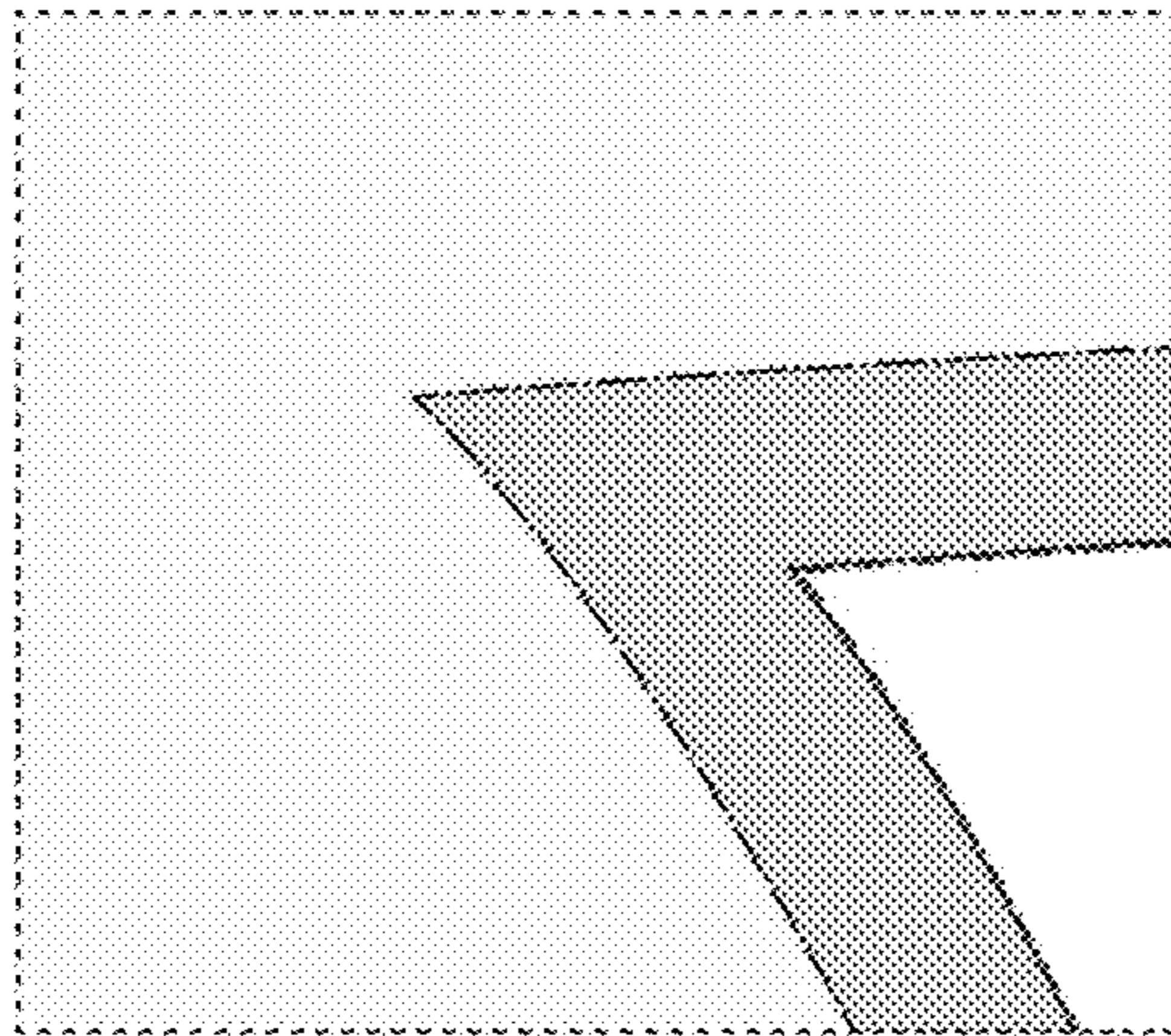


FIG. 16

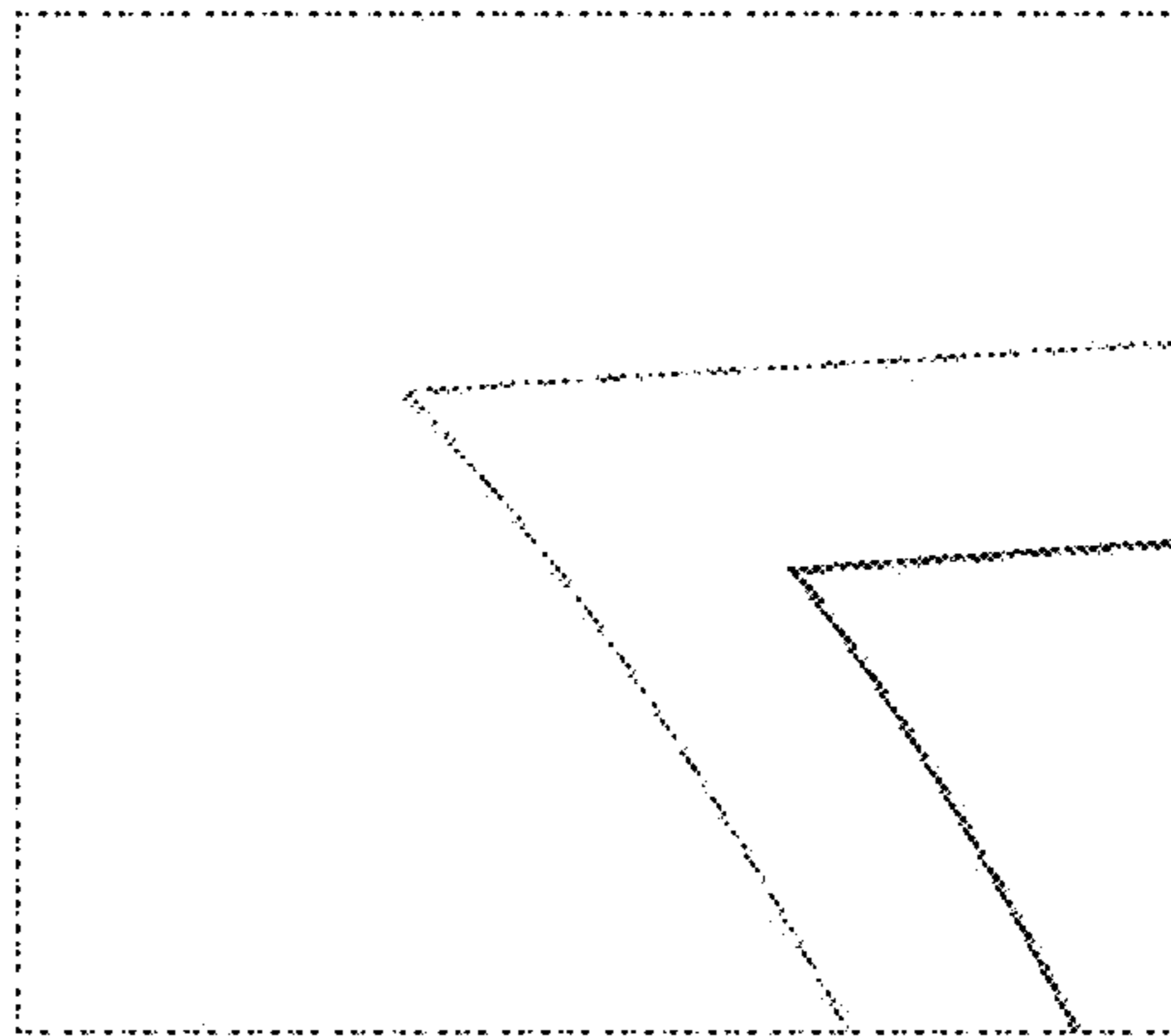


FIG.17

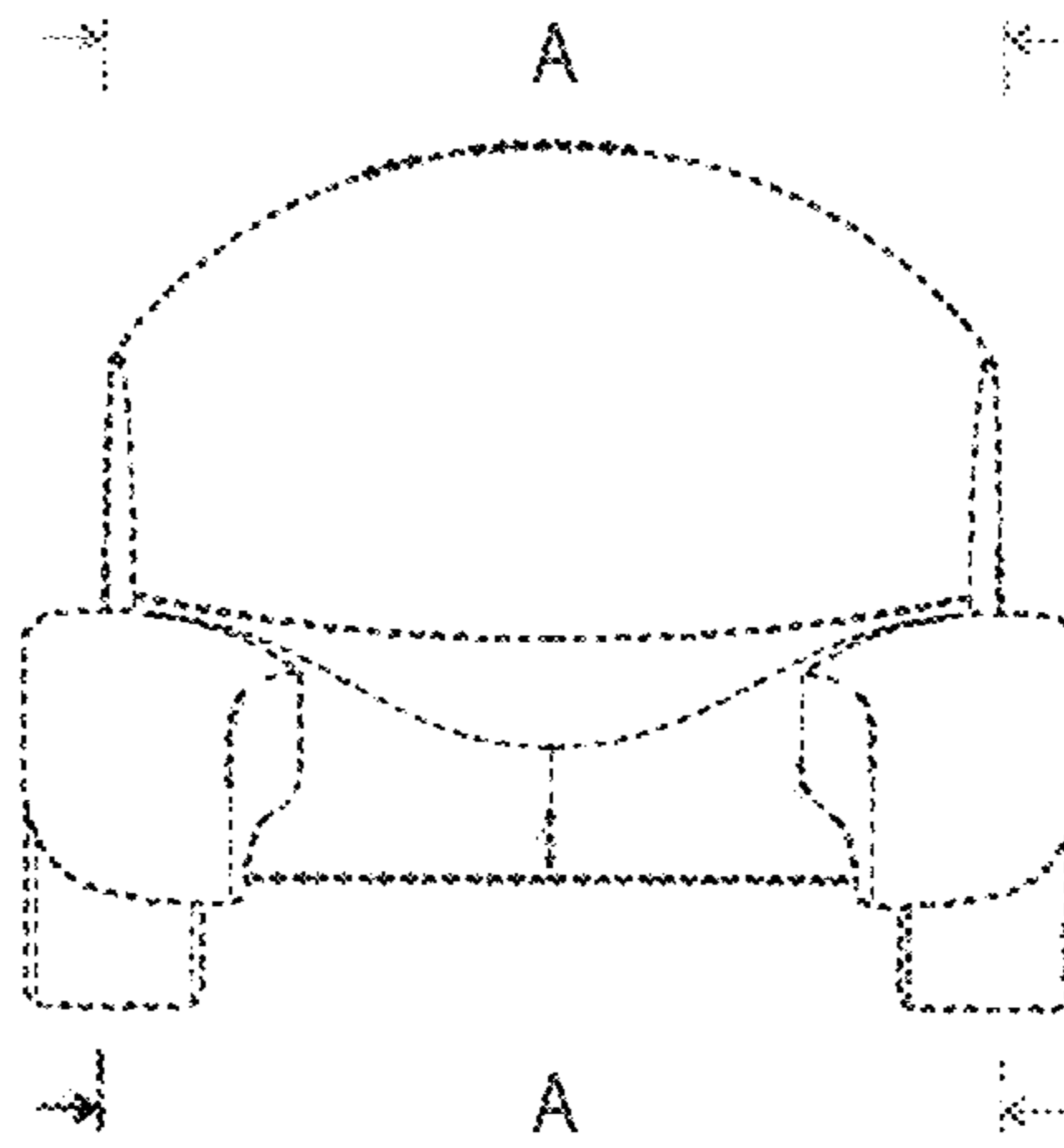


FIG.18

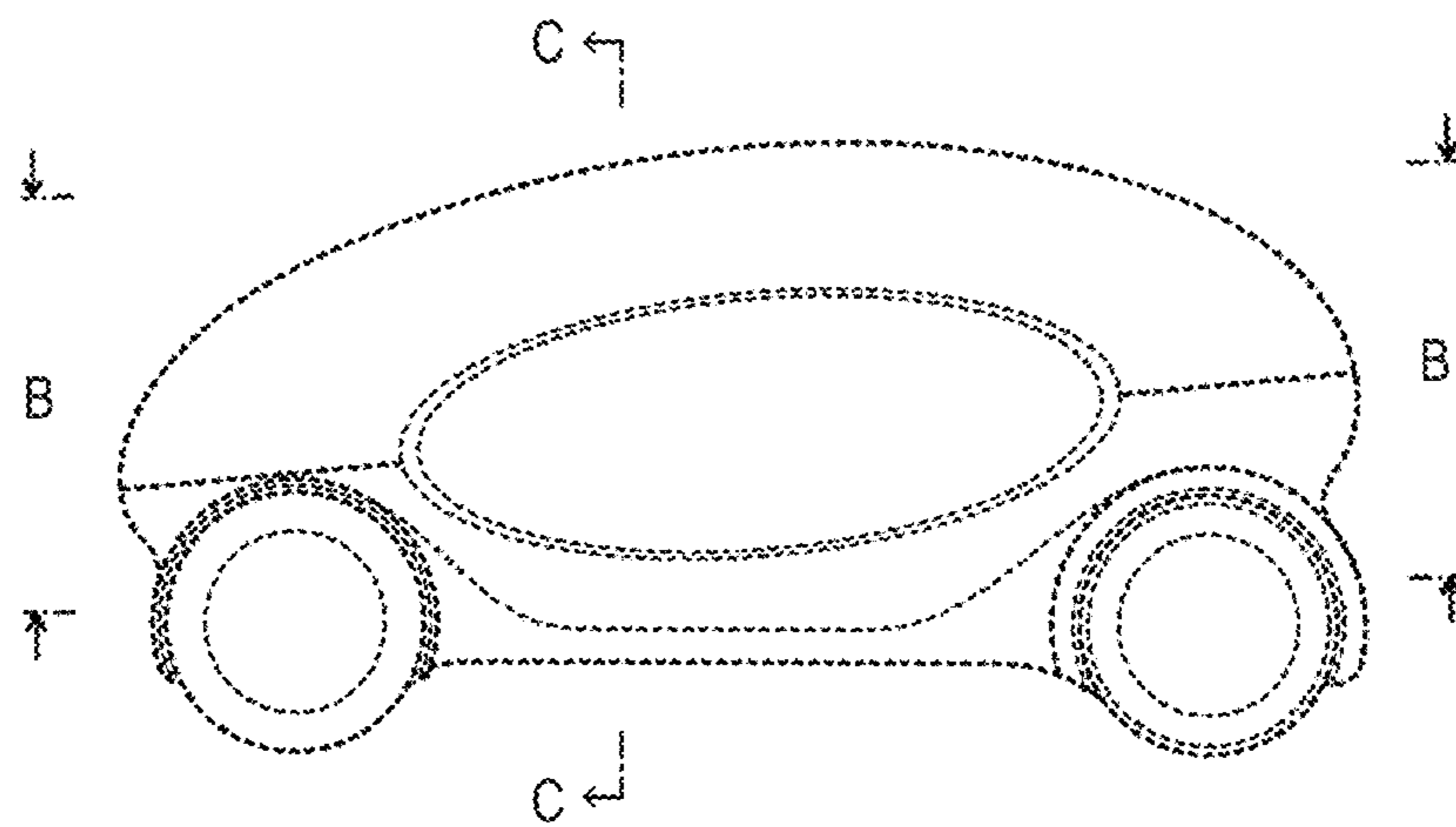


FIG.19

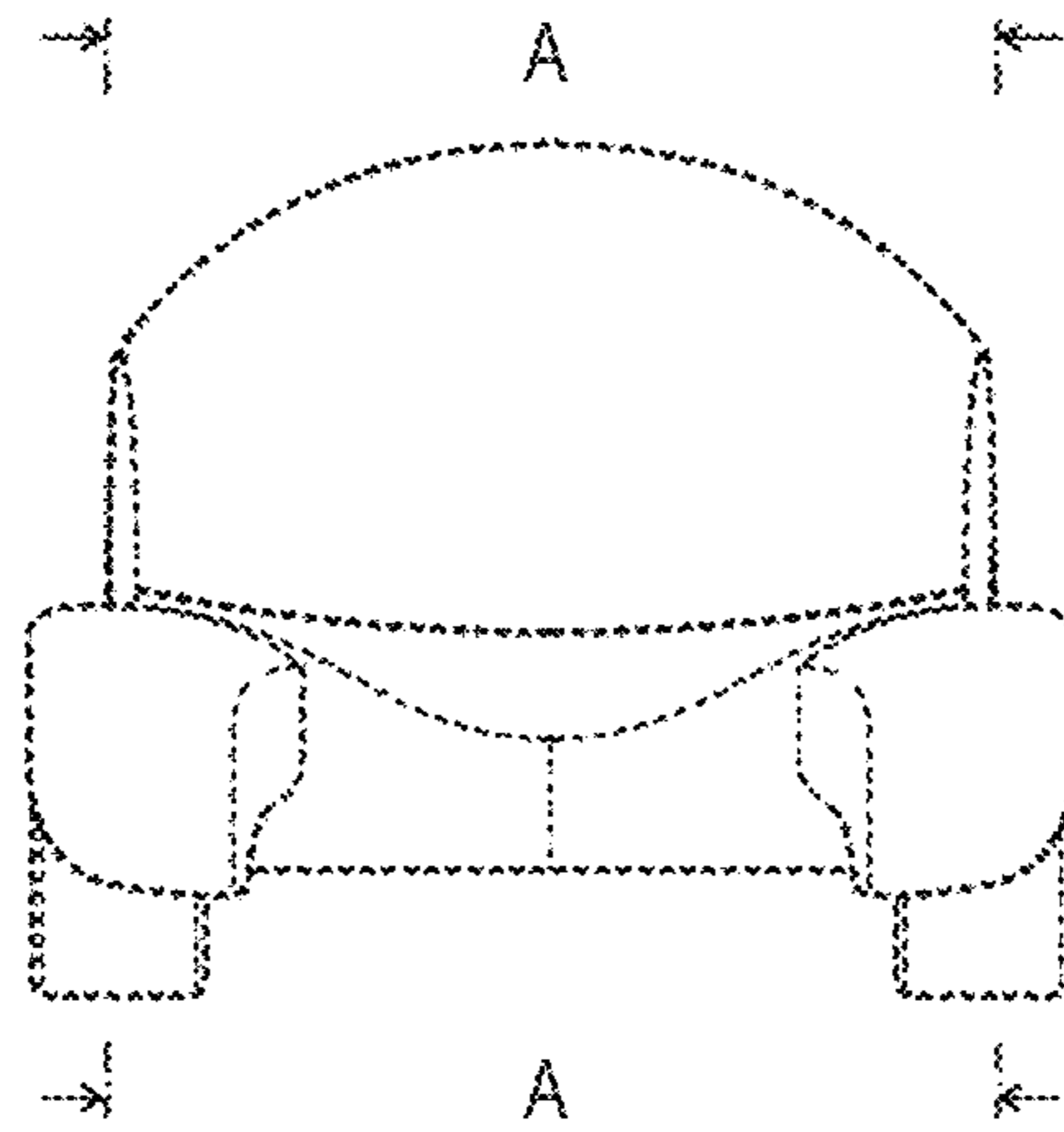


FIG.20

