



US00D988332S

(12) **United States Design Patent** (10) **Patent No.:** **US D988,332 S**
Martin (45) **Date of Patent:** **** Jun. 6, 2023**

(54) **KEYBOARD**
(71) Applicant: **Raspberry Pi (Trading) Limited**,
Cambridge (GB)
(72) Inventor: **Simon Edward Martin**, Cambridge
(GB)
(73) Assignee: **RASPBERRY PI (TRADING)**
LIMITED, Cambridge (GB)
(**) Term: **15 Years**
(21) Appl. No.: **35/511,200**
(22) Filed: **Sep. 25, 2020**

D383,457 S * 9/1997 Yahaya D14/137
D395,867 S * 7/1998 Windecker D14/439
D461,815 S * 8/2002 Yuhan D14/444
D485,844 S * 1/2004 Chen D14/442
D493,340 S * 7/2004 Pyatt D8/20
D517,562 S * 3/2006 Chen D14/444
D536,675 S * 2/2007 Millar D13/184
D547,318 S * 7/2007 Xiao D14/444
D576,630 S * 9/2008 Chen D14/445
D622,268 S * 8/2010 Hong D14/315
D734,754 S * 7/2015 Ficacci D14/432
D741,304 S * 10/2015 Cowles D14/240
D784,335 S * 4/2017 Kujawski D14/401
D849,742 S * 5/2019 Siminoff D14/399
D869,411 S * 12/2019 Wang D14/125
D881,191 S * 4/2020 Navid D14/401
D908,674 S * 1/2021 Kim D14/250

(80) **Hague Agreement Data**
Int. Filing Date: **Sep. 25, 2020**
Int. Reg. No.: **DM/212180**
Int. Reg. Date: **Sep. 25, 2020**
Int. Reg. Pub. Date: **Jan. 22, 2021**
(51) **LOC (14) Cl.** **14-02**
(52) **U.S. Cl.**
USPC **D14/455**
(58) **Field of Classification Search**
USPC D14/247, 315-327, 331-333, 338,
D14/345-347, 387, 390-401, 406, 429,
D14/455-457, 460-461, 439-441,
D14/433-435, 435.1, 489, 490, 492;
D18/1-2, 4.1-4.6, 7, 11, 12.2, 52;
D21/324, 409, 515
CPC B41J 5/00; B41J 5/10; B41J 5/12; G06F
3/02; G06F 3/021; G06F 3/0216; G06F
3/0219
See application file for complete search history.

(56) **References Cited**
U.S. PATENT DOCUMENTS
D331,396 S * 12/1992 Benck D14/439
D379,809 S * 6/1997 Lindeman D14/137

OTHER PUBLICATIONS

Amazon.com—Pi Supply; “Raspberry Pi Official Keyboard and Hub USB (US Layout)”; [online] ‘https://amazon.com/Raspberry-Pi-Official-Keyboard-Layout/dp/B07RW1ZFQB’; dated Jan. 17, 2020; accessed Feb. 23, 2022; 4pgs. (Year: 2020).*

(Continued)

Primary Examiner — Keli L Hill
(74) *Attorney, Agent, or Firm* — Hodgson Russ LLP

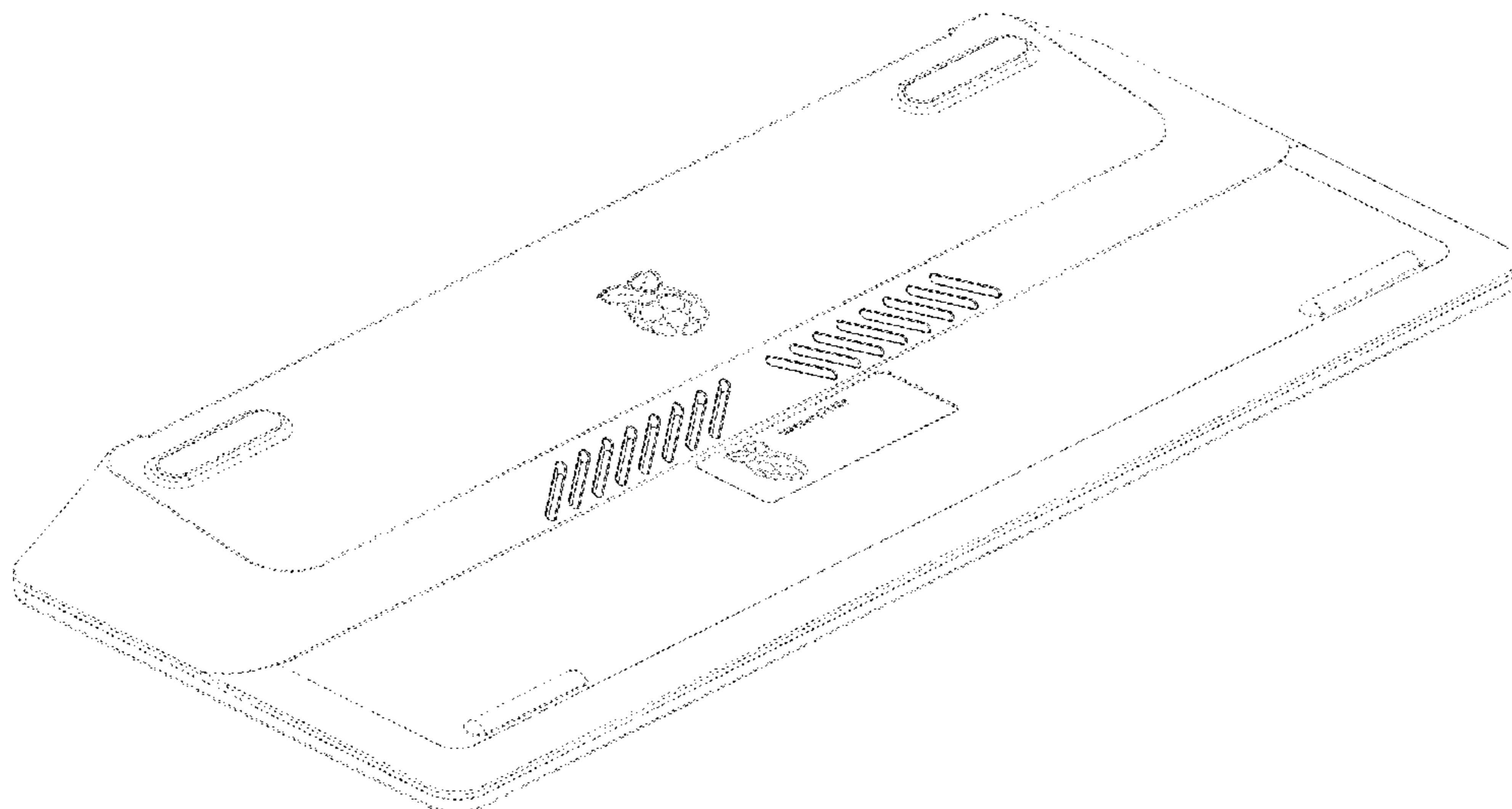
(57) **CLAIM**

The ornamental design for a keyboard, as shown and described.

DESCRIPTION

1. Keyboard
1.1 : Bottom
1.2 : Bottom, front and right side perspective
Drawings 1.1 to 1.2 depict an ornamental design for a keyboard; the evenly dotted broken lines in drawings 1.1 to 1.2 illustrate unclaimed features of a keyboard and form no part of the claimed design.

1 Claim, 2 Drawing Sheets



(56)

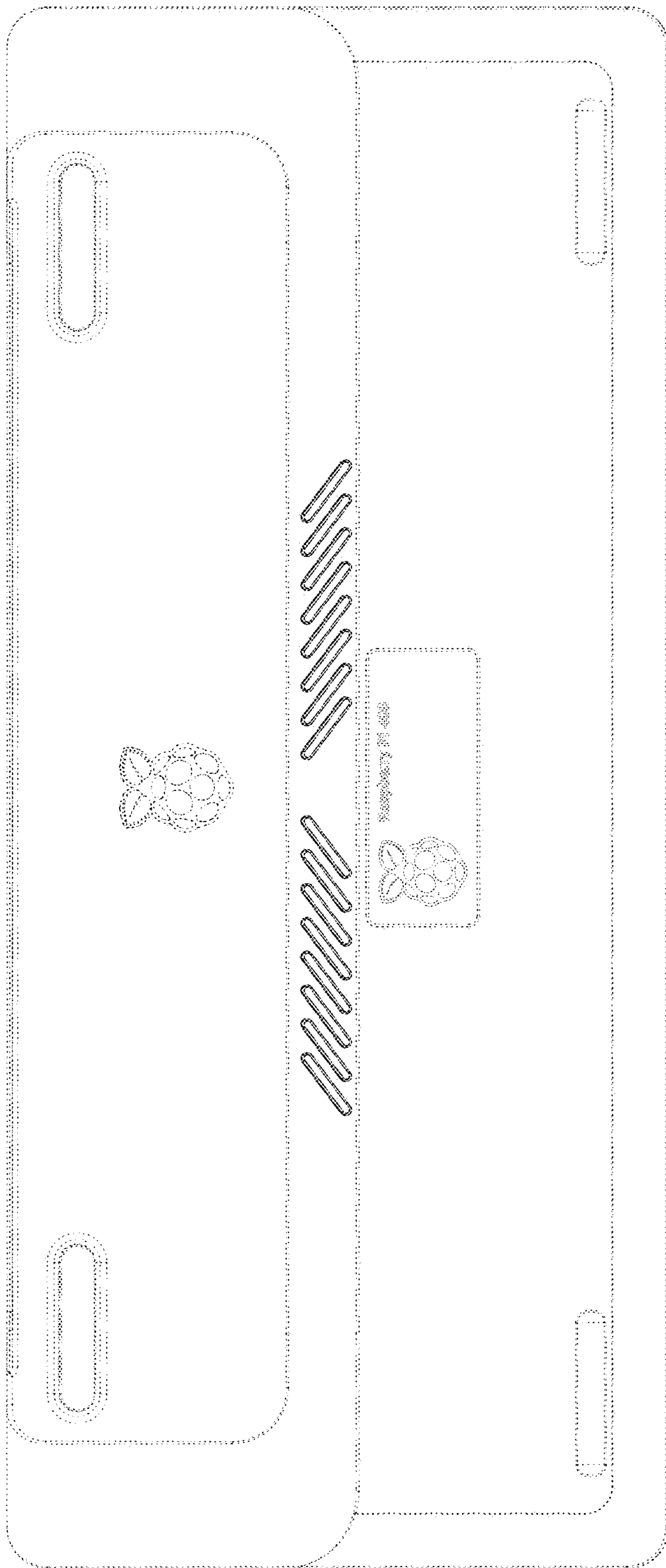
References Cited

OTHER PUBLICATIONS

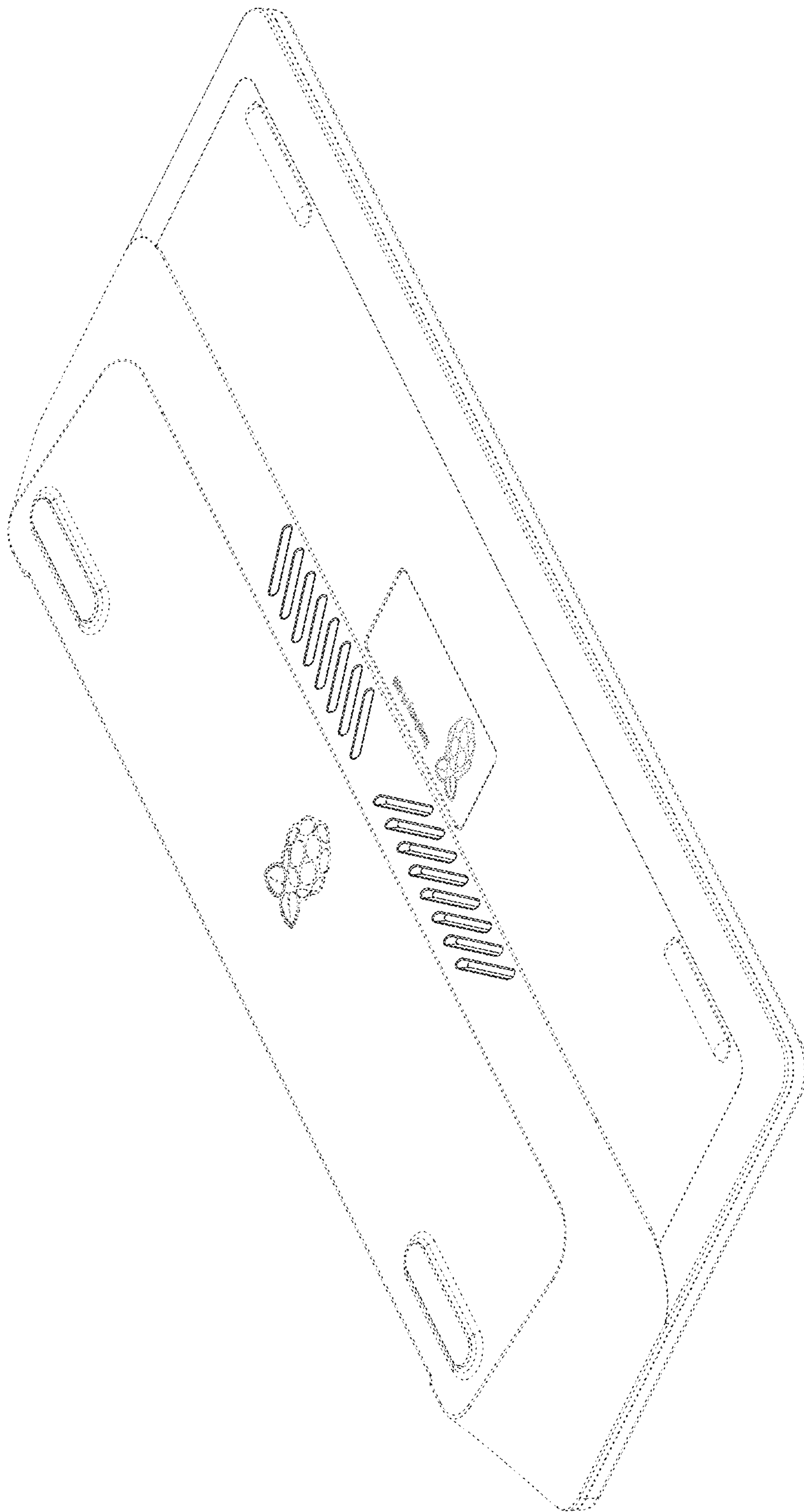
YouTube.com—ETA Prime; “The Raspberry Pi 400 is Awesome! Review, Overclock, Emulation, Teardown”; [online] ‘https://www.youtube.com/watch?v=h86D_6yh1nk’; dated Nov. 6, 2020; accessed Sep. 4, 2022; 2pgs. (Year: 2020).*

Expert Reviews; “Raspberry Pi Keyboard review: Blowing raspberries at pricier competitors”; [online] ‘www.expertreviews.co.uk/raspberry-pi-foundation/1410318/raspberry-pi-keyboard-review’; dated Sep. 24, 2019; accessed Feb. 23, 2022; 3pgs. (Year: 2019).*

* cited by examiner



1.1



1.2