



US00D988331S

(12) **United States Design Patent**
Chen

(10) **Patent No.:** **US D988,331 S**
(45) **Date of Patent:** **** Jun. 6, 2023**

(54) **JOYSTICK MOUNT**

FOREIGN PATENT DOCUMENTS

(71) Applicant: **Chusong Chen**, Guangdong Province (CN)

CN 112019668 A * 12/2020
KR 102347934 B1 * 1/2022

(72) Inventor: **Chusong Chen**, Guangdong Province (CN)

OTHER PUBLICATIONS

(**) Term: **15 Years**

Racgting, Hotas Desk Mount for Flight Sim Game, posted at Amazon, posting date Jul. 4, 2022. Site visited Dec. 5, 2022. URL: <<https://www.amazon.com/dp/B0BB1JPLLG/>> (Year: 2022).*

(21) Appl. No.: **29/852,081**

(Continued)

(22) Filed: **Sep. 2, 2022**

Primary Examiner — Kathleen L Jones

(51) **LOC (14) Cl.** **14-02**

(57) **CLAIM**

(52) **U.S. Cl.**

The ornamental design for a joystick mount, as shown and described.

USPC **D14/454**; D21/333

(58) **Field of Classification Search**

DESCRIPTION

USPC D14/356, 412–413, 432–434, 435.1, 447, D14/451–452, 457, 142, 203.8, 209.1, D14/217, 224, 224.1, 229, 238, 240, D14/251–253, 439, 453–454.511, 254, D14/299, 250, 440; D12/400, 406, D12/415–418, 422, 223; D3/218, 269; D9/455; D6/553, 512; D16/242, 245; D8/355, 354

FIG. 1 is a front and top perspective view of a joystick mount, showing my new design;
FIG. 2 is a rear and bottom perspective view thereof;
FIG. 3 is a front elevation view thereof;
FIG. 4 is a rear elevation view thereof;
FIG. 5 is a left side elevation view thereof;
FIG. 6 is a right side elevation view thereof;
FIG. 7 is a top plan view thereof;
FIG. 8 is a bottom plan view thereof;
FIG. 9 is another perspective view thereof, shown in an alternate position in a broken line environment of use;
FIG. 10 is another perspective view thereof, shown in an alternative position; and,
FIG. 11 is an enlarged perspective view of detail “11” identified in FIG. 1.

CPC H04M 1/04; H04M 1/06; H04M 1/11; H04M 1/12; H04M 1/14; H04M 1/13; H04M 1/15; H04M 1/026; H04M 1/03; H04M 1/0254; H04M 1/0249; H04M 1/0206; H04M 1/02; H04M 1/0202; A45F 2200/0516; A45F 2200/0525; G06F 1/1628; G06F 1/1681; G06F 1/166; G06F 1/1679; G06F 1/1677; G06F 1/1633; G06F 1/1601; G06F 1/1613; G06F 1/1607; G06F 1/1615;

The dashed lines in the figures illustrate portions of the joystick mount that form no part of the claimed design. The broken lines showing of a table in FIG. 9 depict environmental structure that form no part of the claimed design. The dash dot dash lines in FIGS. 1 and 11 are for the purpose of illustrating the enlarged view indicators and form no part of the claimed design.

(Continued)

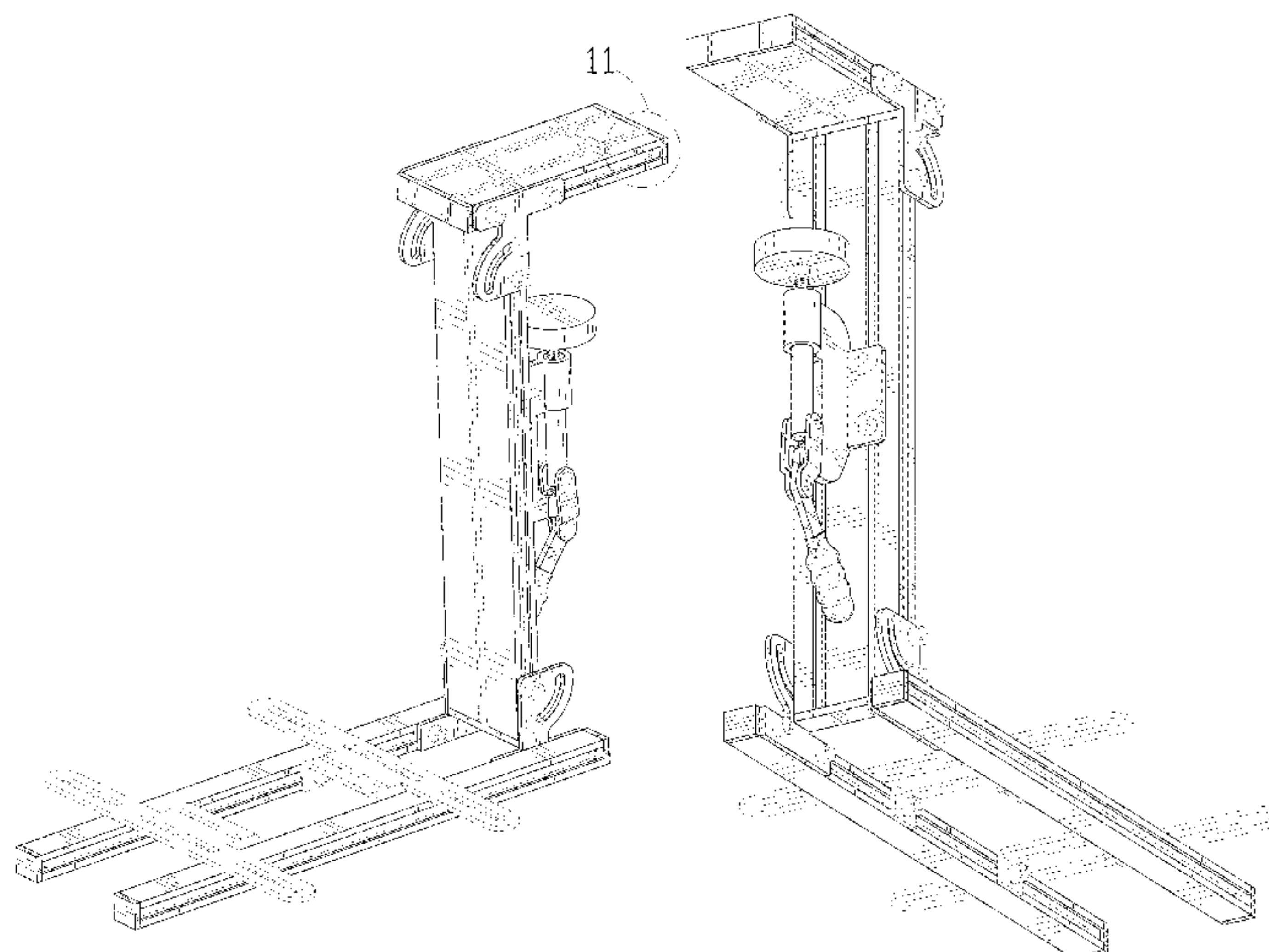
(56) **References Cited**

1 Claim, 11 Drawing Sheets

U.S. PATENT DOCUMENTS

D247,034 S * 1/1978 Brodmann D34/17
D248,026 S * 5/1978 Gostomski 343/715

(Continued)



(58) **Field of Classification Search**

CPC G06F 1/1684; G06F 1/16; G06F 1/181;
G06F 1/1641; A45C 2011/002; A45C
2011/001; A45C 2011/003; A45C 13/00;
A45C 13/001; A45C 13/005; A45C
13/34; A63F 13/24; A63F 13/245; A63F
13/23; A63F 13/20; A63F 13/00; A63F
13/92; A63F 13/98; A63F 13/285; A63F
13/214; G05G 1/36; G05G 1/58

See application file for complete search history.

(56) **References Cited**

U.S. PATENT DOCUMENTS

D391,243	S *	2/1998	Rosen	D14/452
D430,165	S *	8/2000	Lee	D14/451
D430,570	S *	9/2000	Lee	D14/451
6,688,571	B1 *	2/2004	Pauls	A61G 5/10 248/282.1
D702,620	S *	4/2014	Read	D12/223
D749,936	S *	2/2016	Phillips	D8/355
D801,974	S *	11/2017	Stadlbauer	
D837,892	S *	1/2019	Armand	D21/333
D906,223	S *	12/2020	Larsson	D12/406
D930,641	S *	9/2021	Zhou	D14/447
D939,480	S *	12/2021	van Til	D14/224
D941,826	S *	1/2022	Li	D14/447
D952,643	S *	5/2022	Chen	D14/447
D964,979	S *	9/2022	Hong	D14/252
D965,569	S *	10/2022	Breines	D14/224
D967,074	S *	10/2022	Breines	D14/224
D970,483	S *	11/2022	Mai	D14/229
D976,241	S *	1/2023	Yang	D14/229
D976,679	S *	1/2023	Bright	D8/354
2006/0252553	A1 *	11/2006	Goode	A63F 13/98 463/47
2019/0262703	A1 *	8/2019	Johansson	A63F 13/245
2020/0360204	A1 *	11/2020	Stajic	A63F 13/98

OTHER PUBLICATIONS

Meza Mount Store, Set of 2 Heavy Duty Hotas Desk Mounts, posted at Amazon, posting date Nov. 3, 2020. Site visited Dec. 5, 2022. URL: <<https://www.amazon.com/dp/B08ML9PGWZ/>> (Year: 2020).*

Meza Mount Store, Desk Mounts Hotas Mount, posted at Amazon, posting date Jan. 18, 2022. Site visited Dec. 5, 2022. URL: <<https://www.amazon.com/dp/B09QMK9G7B/>> (Year: 2022).*

Pein Gear Mount, the desk mount for the flight sim game joystick, posted at Amazon, posting date Nov. 14, 2018. Site visited Dec. 5, 2022. URL: <<https://www.amazon.com/J-PEIN-Upgraded-joystick-hand-control-game-device/dp/B07KJCC4Q7/>> (Year: 2018).*

Senyu Technology Development (Guangzhou) Co., Ltd. and Joystick Mount <https://www.amazon.com/dp/B09Y5KYQHC> <https://www.amazon.com/dp/B09Y5K7BRQ> <https://www.amazon.com/dp/B09Y5MLCKP> <https://www.amazon.com/dp/B09Y5LZJZB>.
Guangzhou Diwang Electronic Commerce Co., Ltd. and Joystick Mount <https://www.amazon.com/dp/B09JWLP7B9>.
Foshan Tusuojun Information Technology Co., Ltd. and Joystick Mount <https://www.walmart.com/ip/seort/1734937756> <https://www.walmart.com/ip/seort/1410852455> <https://www.walmart.com/ip/seort/1601672834> <https://www.walmart.com/ip/seort/1621345087>.
Senyu Technology Development (Guangzhou) Co., Ltd. and Joystick Mount <https://www.amazon.ca/dp/B09Y924BHB> <https://www.amazon.ca/dp/B09Y8ZD5RB>.
Jahaw Ltd and Joystick Mount <https://www.amazon.co.uk/dp/B09VP96GR1> <https://www.amazon.co.uk/dp/B09VP9937M> <https://www.amazon.co.uk/dp/B09JVWFQ6Y>.
Guangzhou Meijinda Technology Co., Ltd. and Joystick Mount <https://www.amazon.de/dp/B09VXD48BP> <https://www.amazon.de/dp/B09VXCGFB4> <https://www.amazon.de/dp/B0B398Z19Q> <https://www.amazon.de/dp/B0B399XLN2>.
Foshan Hantaohong Network Technology Co., Ltd. and Joystick Mount <https://www.amazon.fr/dp/B09ZP5BDSW>.
Guangzhou Meijinda Technology Co., Ltd. and Joystick Mount <https://www.amazon.it/dp/B0B19X248R>.
Guangzhou Diwang Electronic Commerce Co., Ltd. and Joystick Mount <https://www.amazon.co.jp/dp/B0B4JJPSJM> <https://www.amazon.co.jp/dp/B09ZHWMX79> <https://www.amazon.co.jp/dp/B0B48NS8B2> <https://www.amazon.co.jp/dp/B09VGMZY45G>.
Guangzhou Diwang Electronic Commerce Co., Ltd. Appl. No. 2021-128239, Oct. 14, 2021 US Serial No. 97087051, Oct. 21, 2021.
Foshan Hantaohong Network Technology Co., Ltd. No. 018225033, Apr. 10, 2020.
Guangzhou Meijinda Technology Co., Ltd. and Jahaw Ltd No. 018579011, Oct. 15, 2021.
Senyu Technology Development (Guangzhou) Co., Ltd. No. 2175001, Mar. 24, 2022 US Serial No. 97329730, Mar. 24, 2022.

* cited by examiner

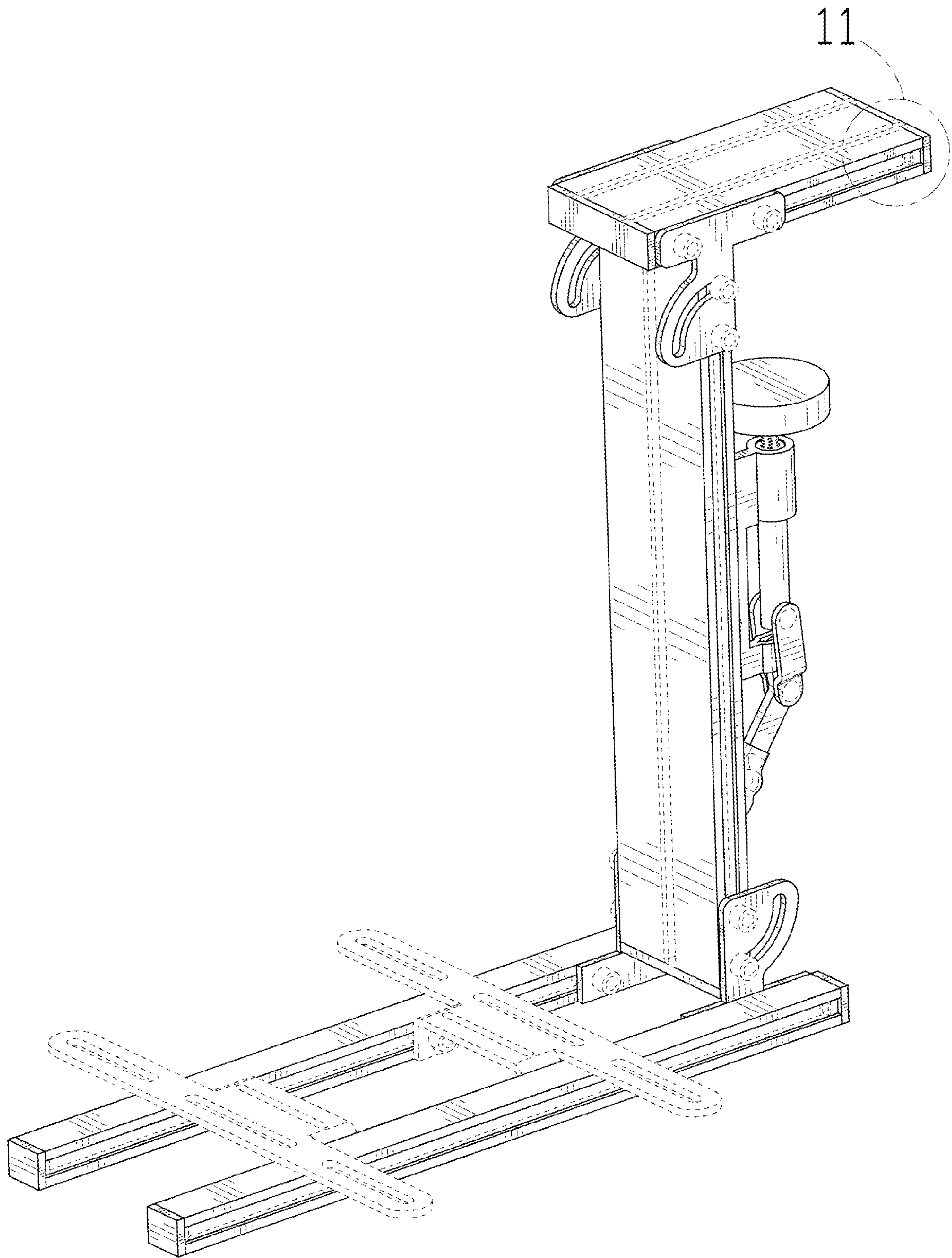


FIG. 1

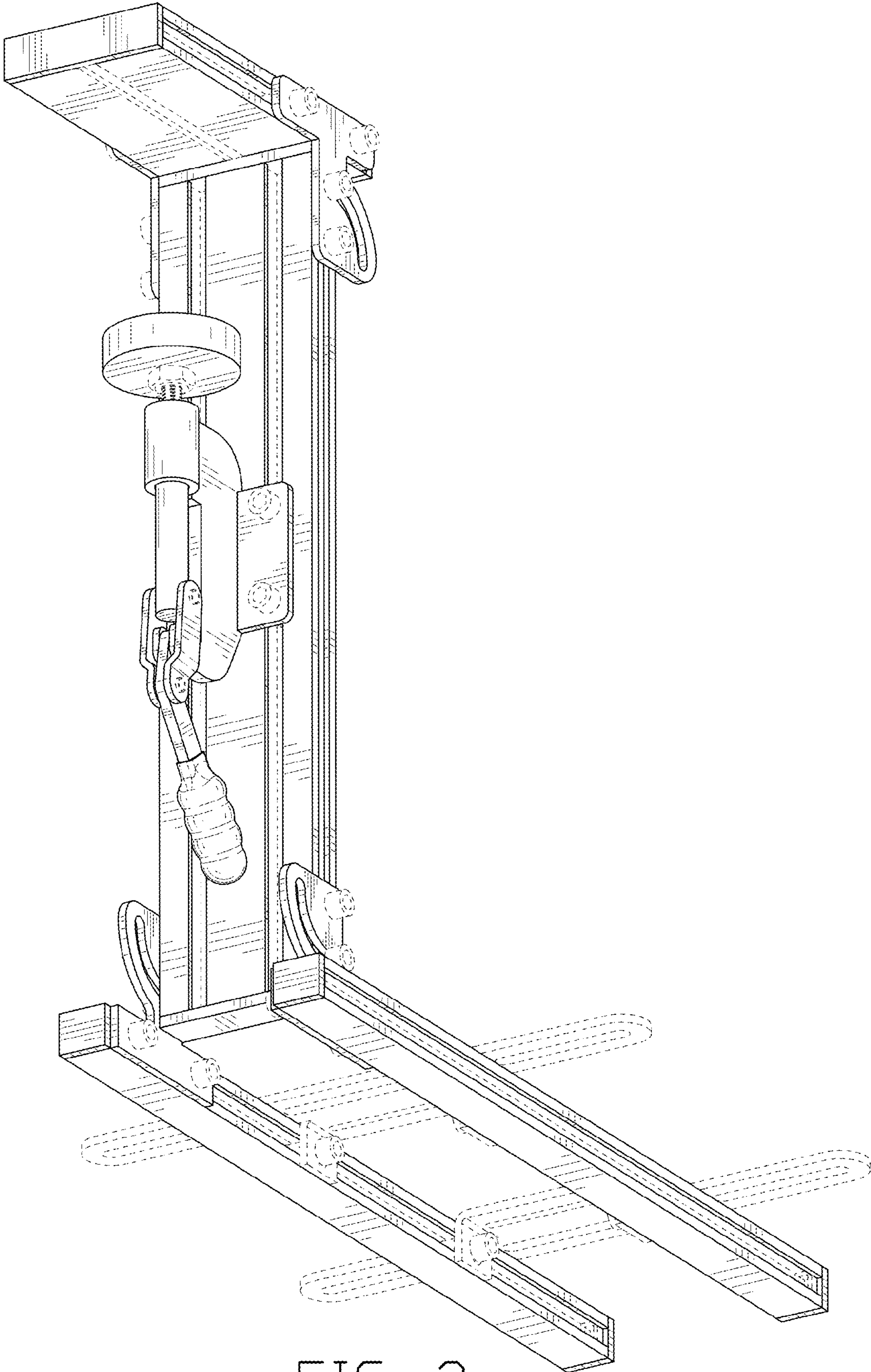


FIG. 2

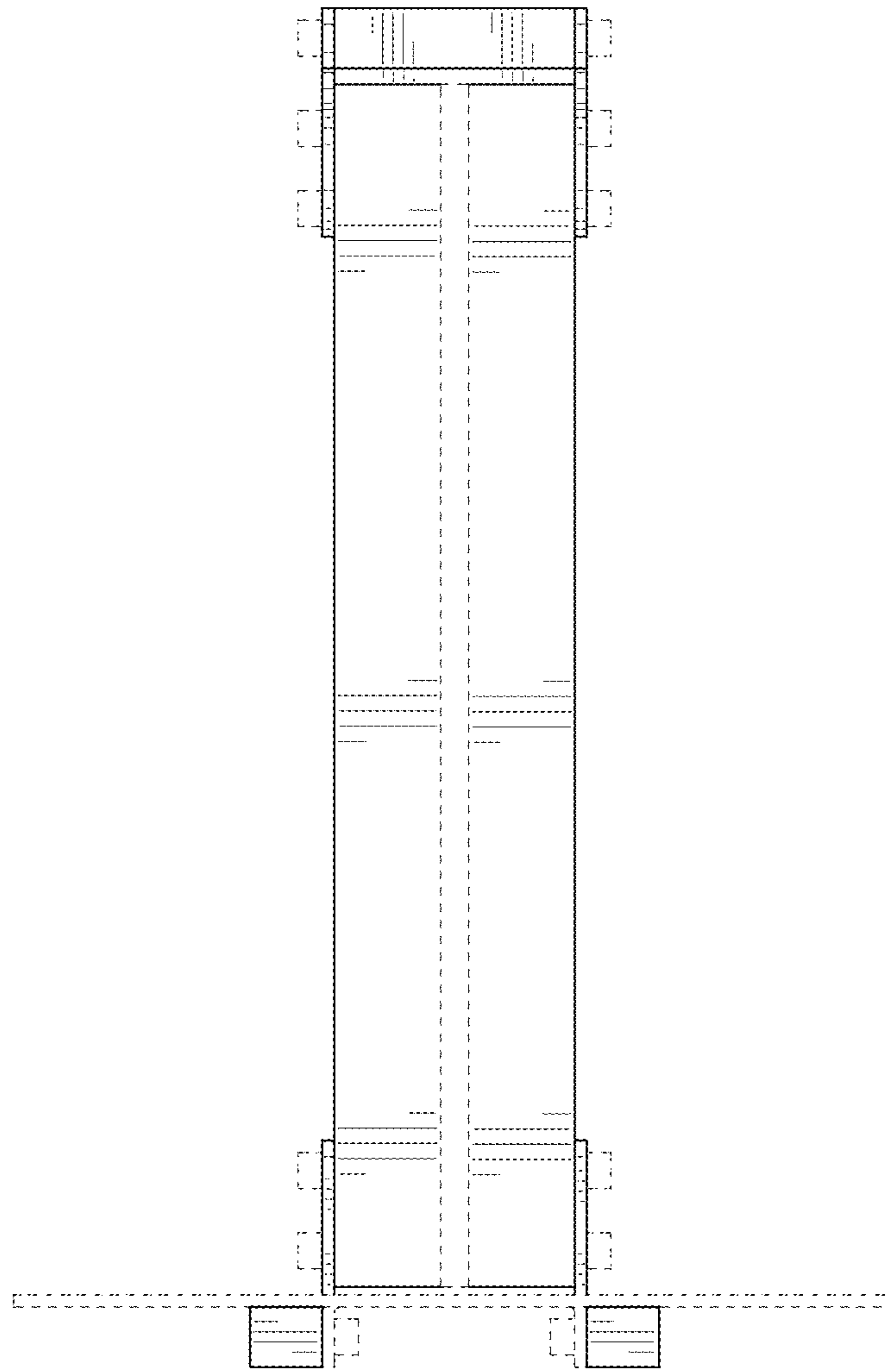


FIG. 3

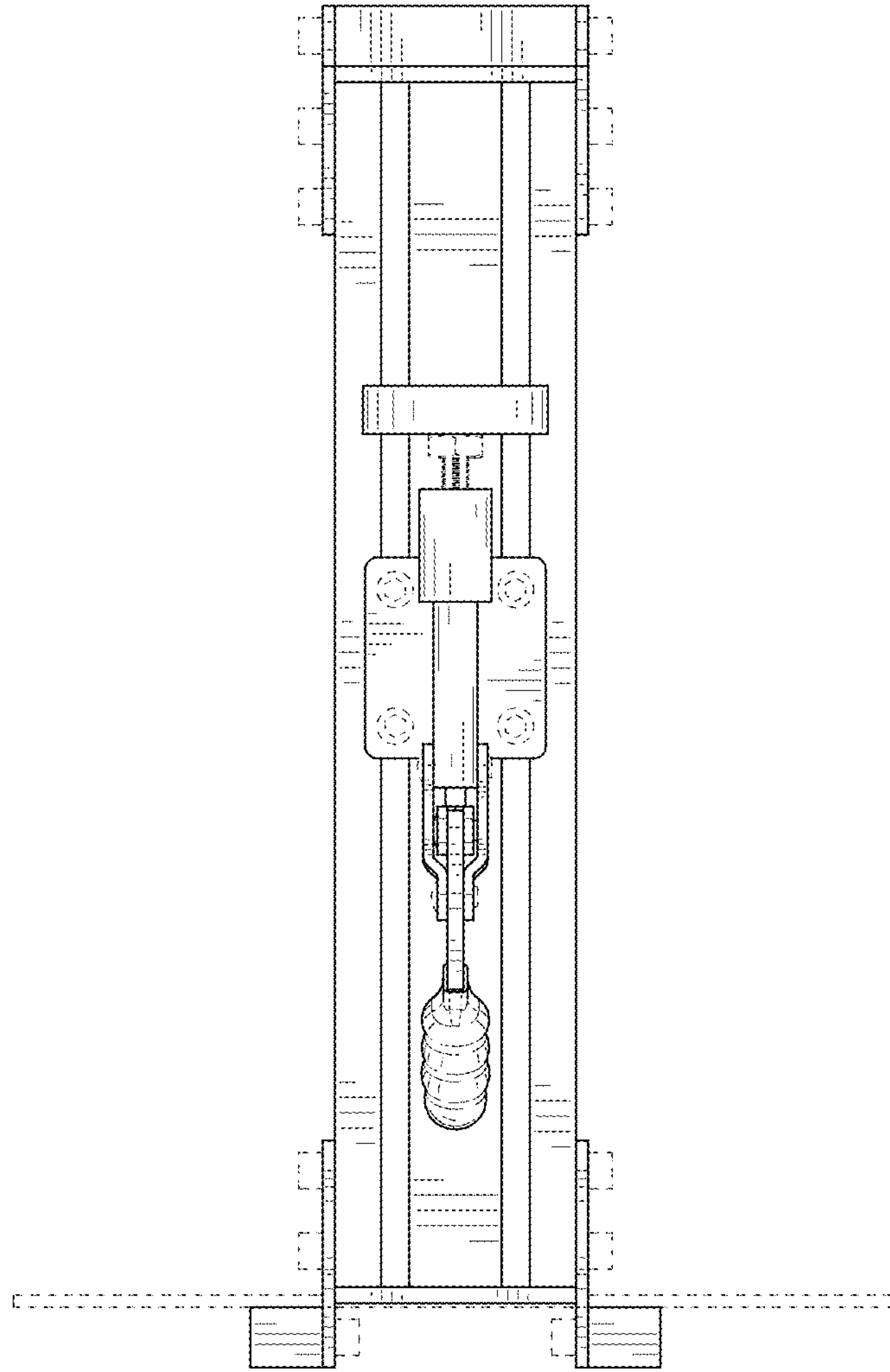


FIG. 4

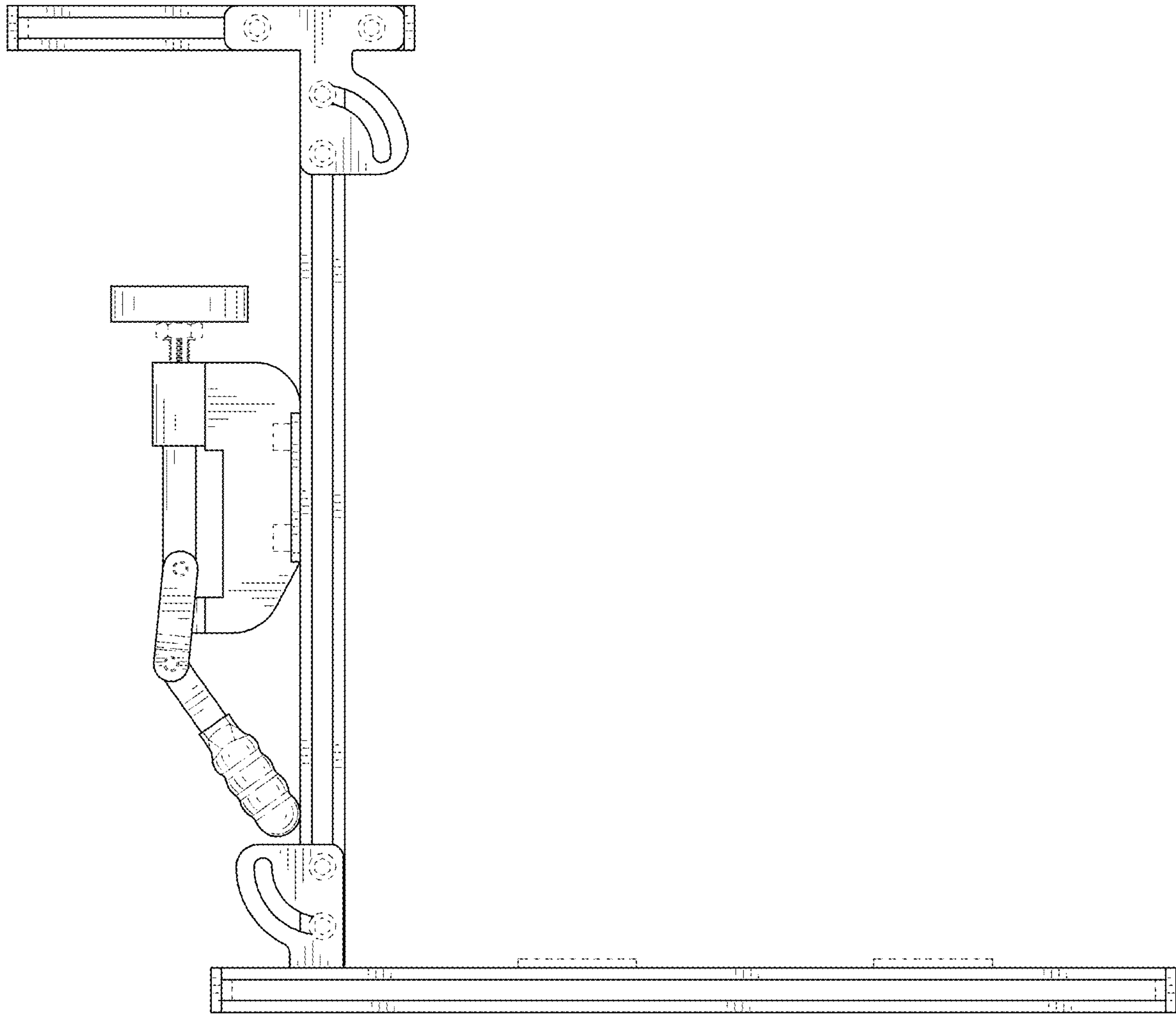


FIG. 5

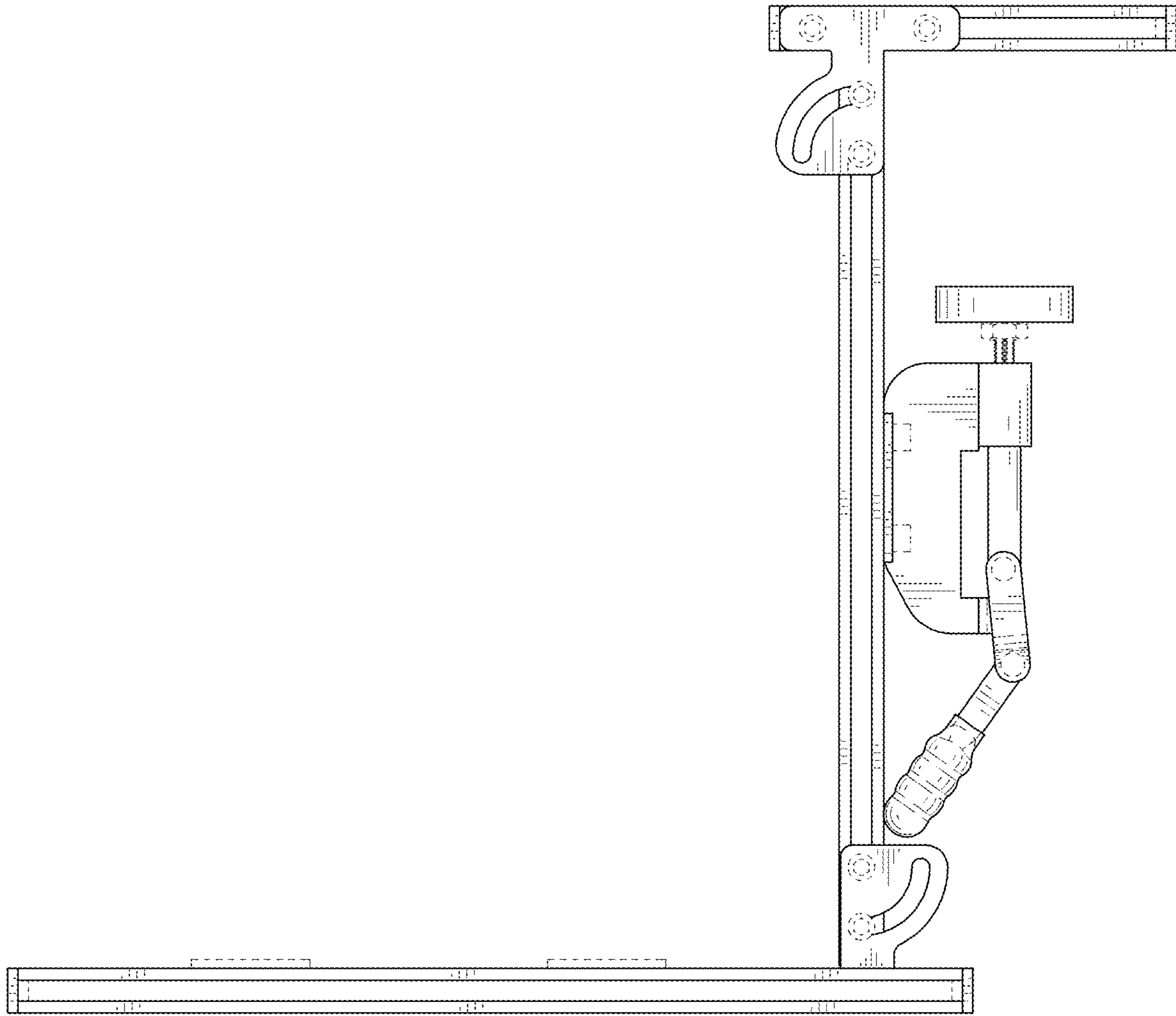


FIG. 6

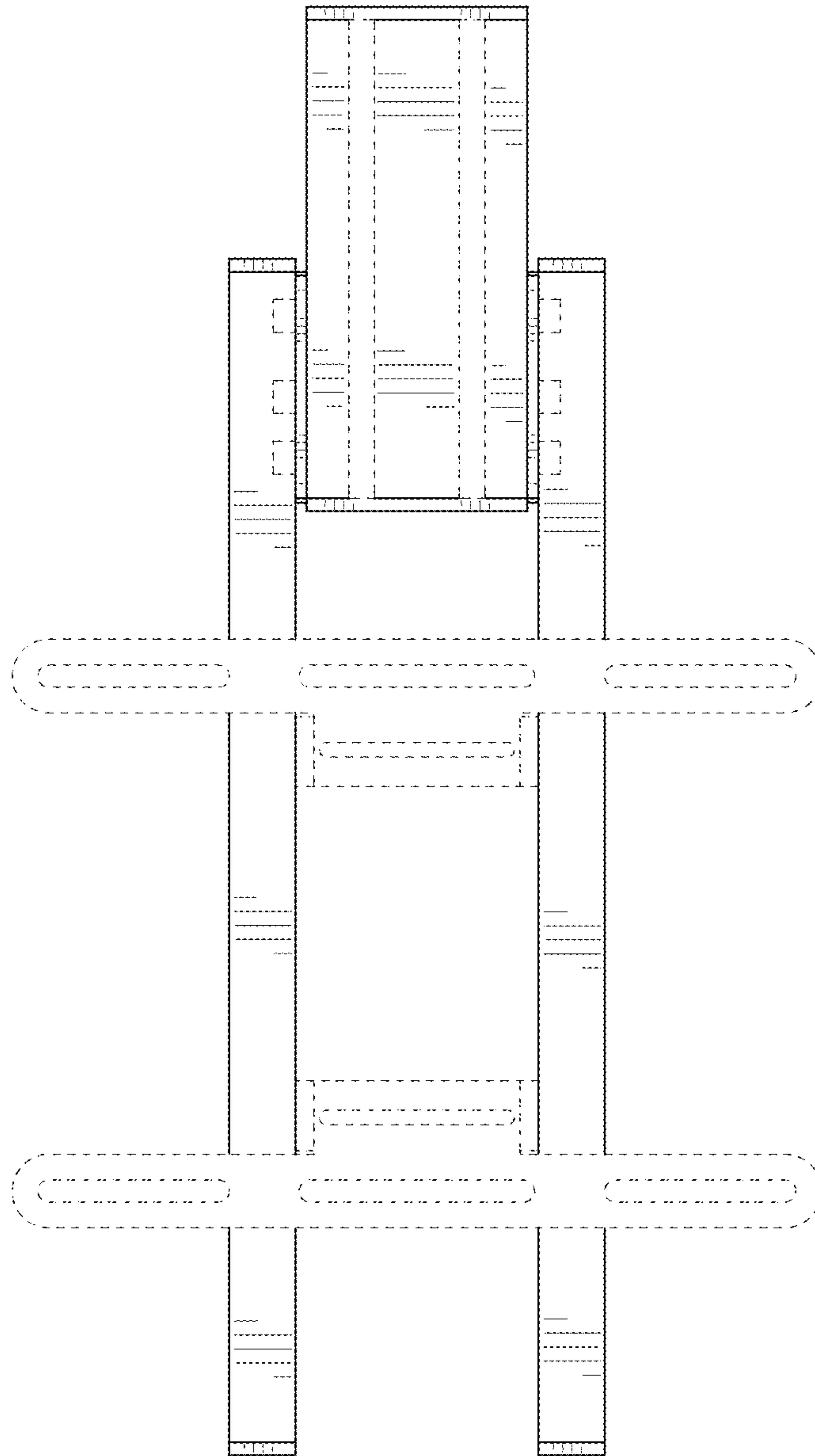


FIG. 7

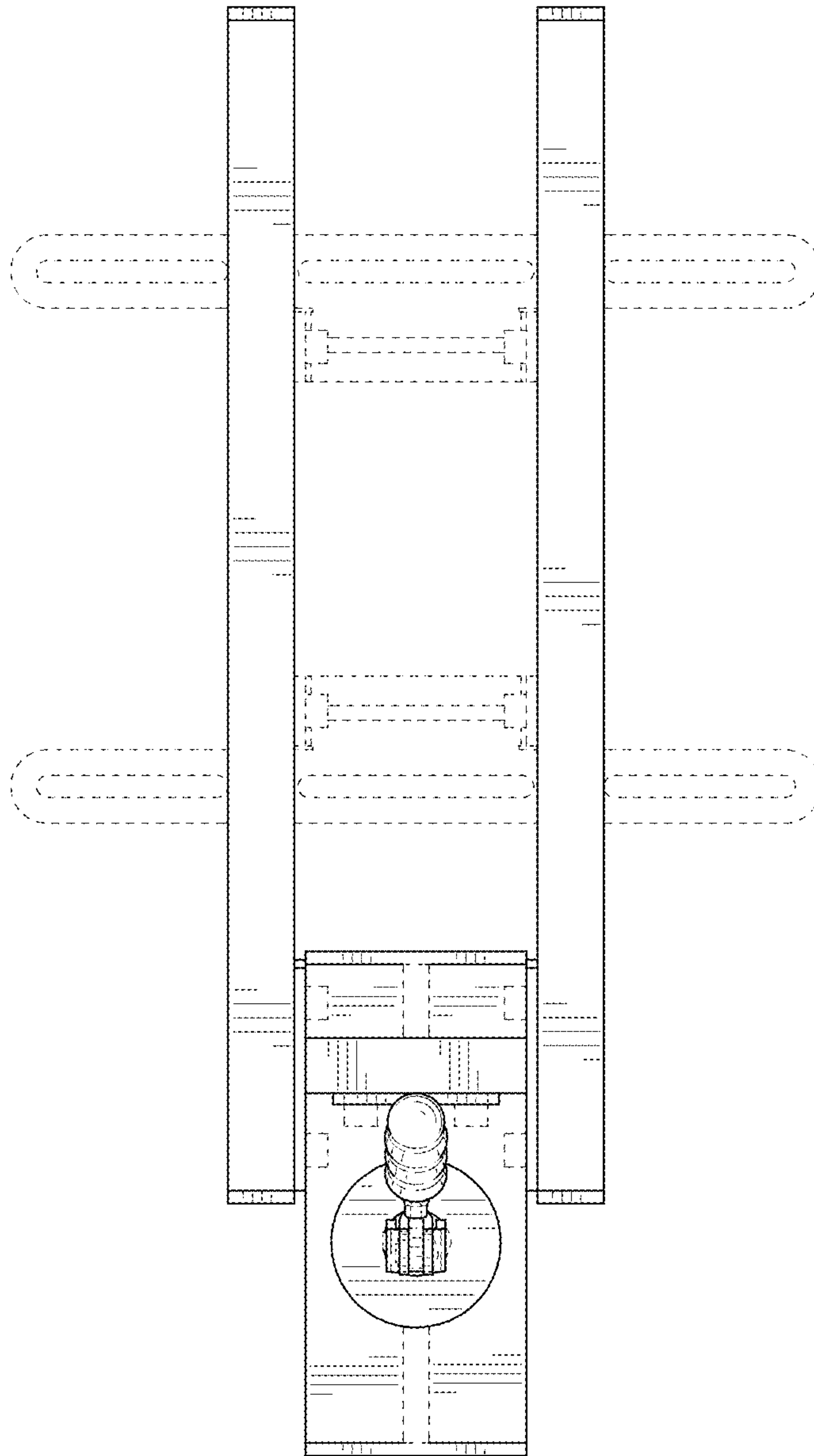


FIG. 8

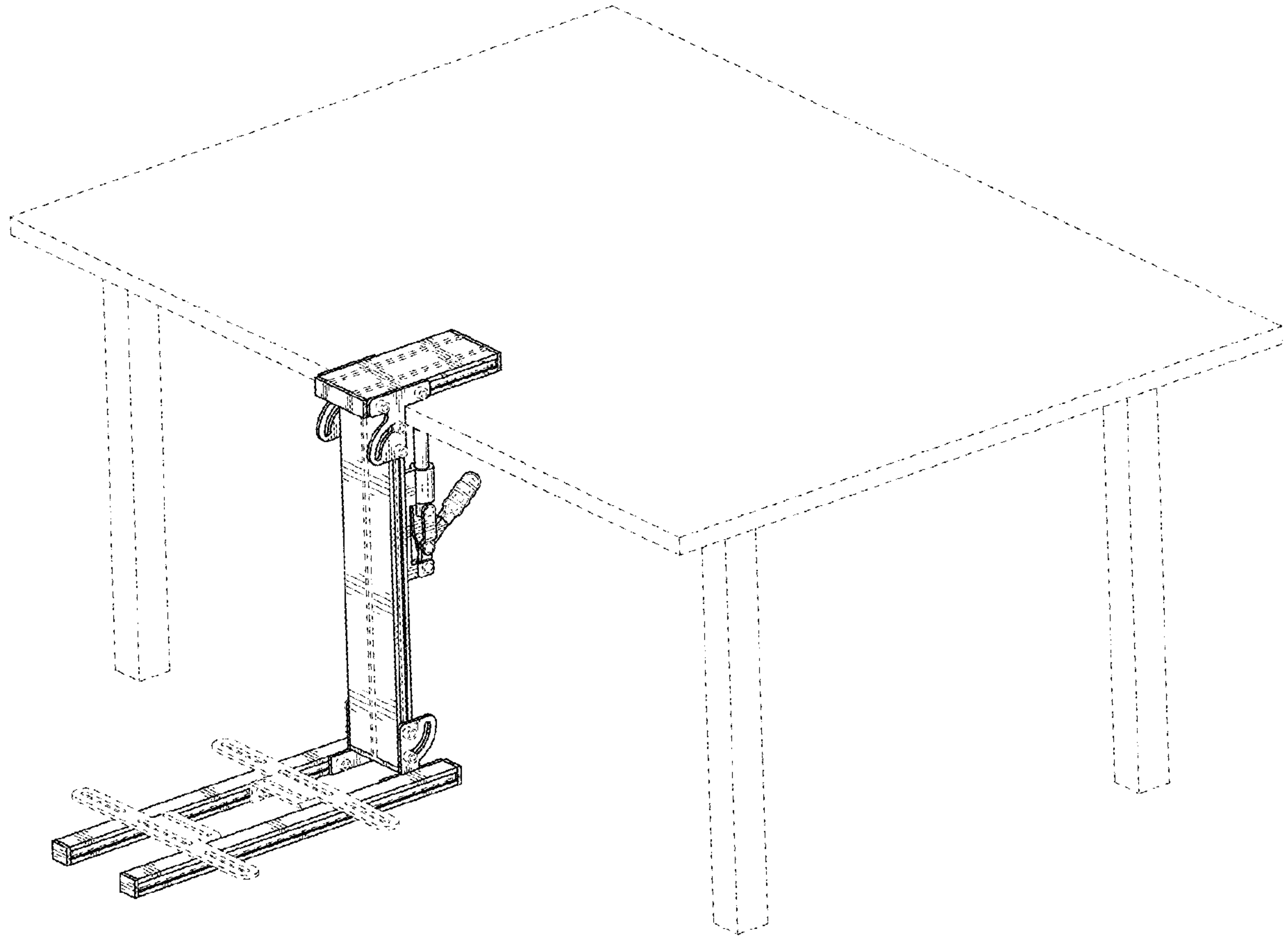


FIG. 9

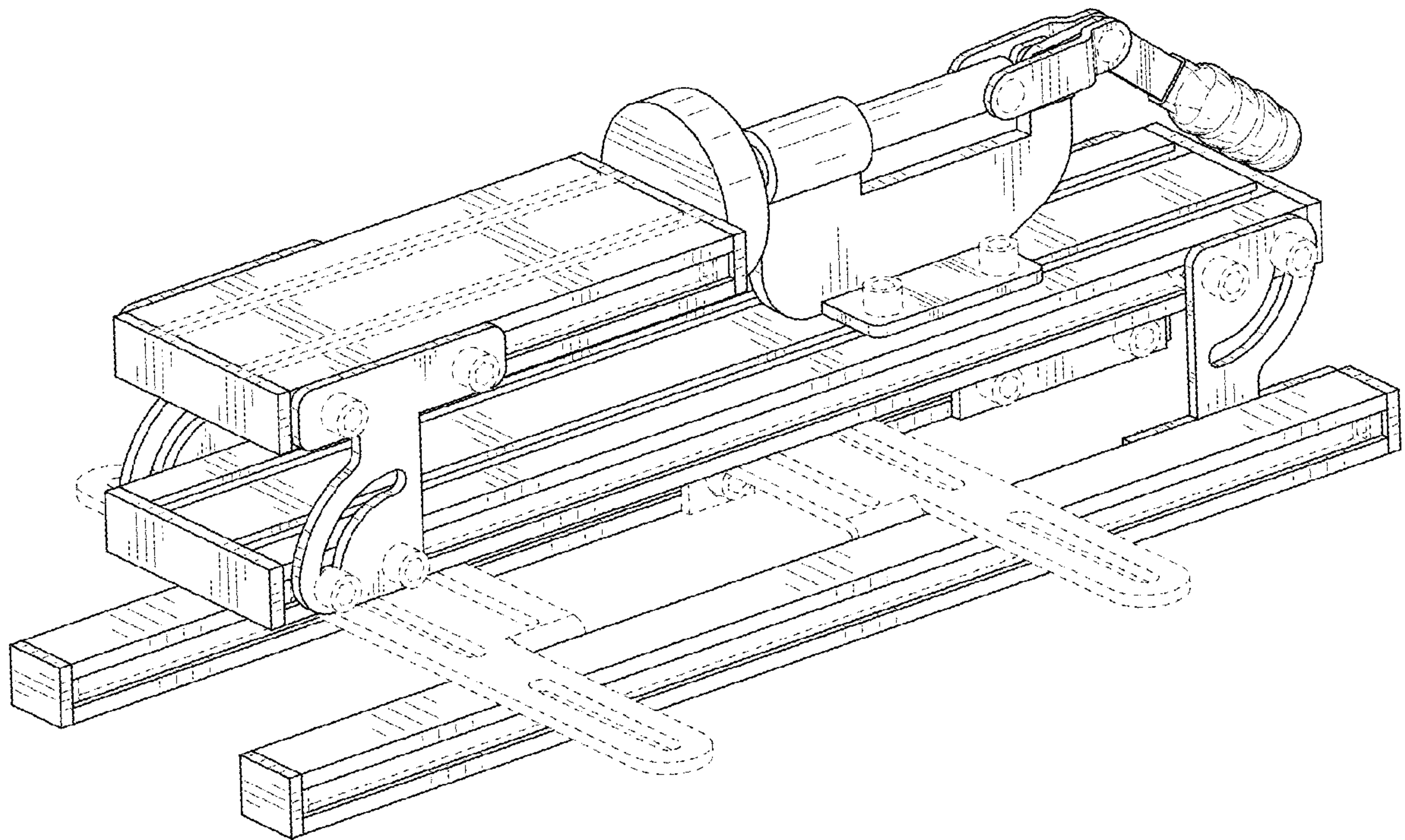


FIG. 10

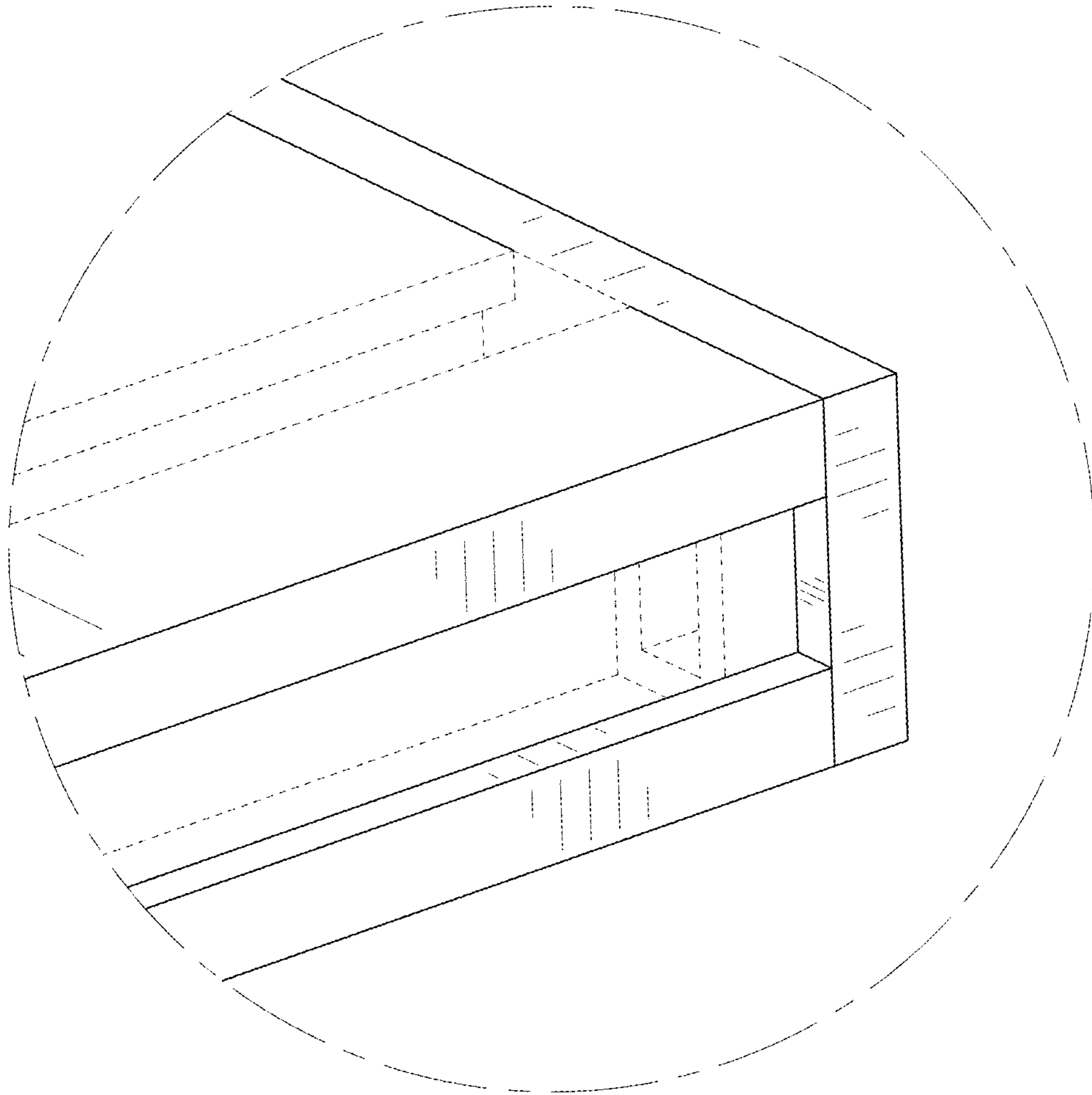


FIG. 11