

US00D988330S

(12) **United States Design Patent**  
**Shields et al.**

(10) **Patent No.:** **US D988,330 S**  
(45) **Date of Patent:** **\*\* Jun. 6, 2023**

- (54) **CASE FOR PORTABLE ELECTRONIC COMPUTING DEVICE**
- (71) Applicant: **Pioneer Square Brands, Inc.**, Seattle, WA (US)
- (72) Inventors: **Kyle Shields**, Kirkland, WA (US);  
**Brian Lewis Piper**, Seattle, WA (US)
- (73) Assignee: **Pioneer Square Brands, Inc.**, McLean, VA (US)
- (\*\*) Term: **15 Years**
- (21) Appl. No.: **29/887,058**
- (22) Filed: **Mar. 16, 2023**
- (51) **LOC (14) Cl.** ..... **14-02**
- (52) **U.S. Cl.**  
USPC ..... **D14/440**
- (58) **Field of Classification Search**  
USPC ..... D14/440, 447, 250  
CPC ... G06F 1/1628; G06F 1/1626; A47B 23/044;  
A45C 11/00  
See application file for complete search history.

- D817,334 S 5/2018 Fenton et al.
- D819,038 S 5/2018 Diebel
- D837,796 S 1/2019 Kim et al.
- D852,201 S 1/2019 Chan et al.
- D841,012 S 2/2019 Kim et al.
- D841,013 S 2/2019 Ferren et al.
- D861,698 S 2/2019 Fenton et al.
- D844,611 S 4/2019 Ferren et al.
- D848,441 S 5/2019 Ferren et al.
- D850,454 S 6/2019 Kim et al.
- D852,199 S 6/2019 Kim et al.
- D852,200 S 6/2019 Chan et al.
- D852,507 S 7/2019 Fenton et al.
- D852,799 S 7/2019 Fenton et al.
- D863,314 S 7/2019 Chan et al.
- D863,315 S 7/2019 Chan et al.
- D864,210 S 7/2019 Chan et al.
- D861,001 S 9/2019 Fenton et al.
- D863,316 S 9/2019 Chan et al.

(Continued)

*Primary Examiner* — Cynthia R Underwood  
(74) *Attorney, Agent, or Firm* — Grandview Law

(57) **CLAIM**

The ornamental design for a case for portable electronic computing device, as shown and described.

**DESCRIPTION**

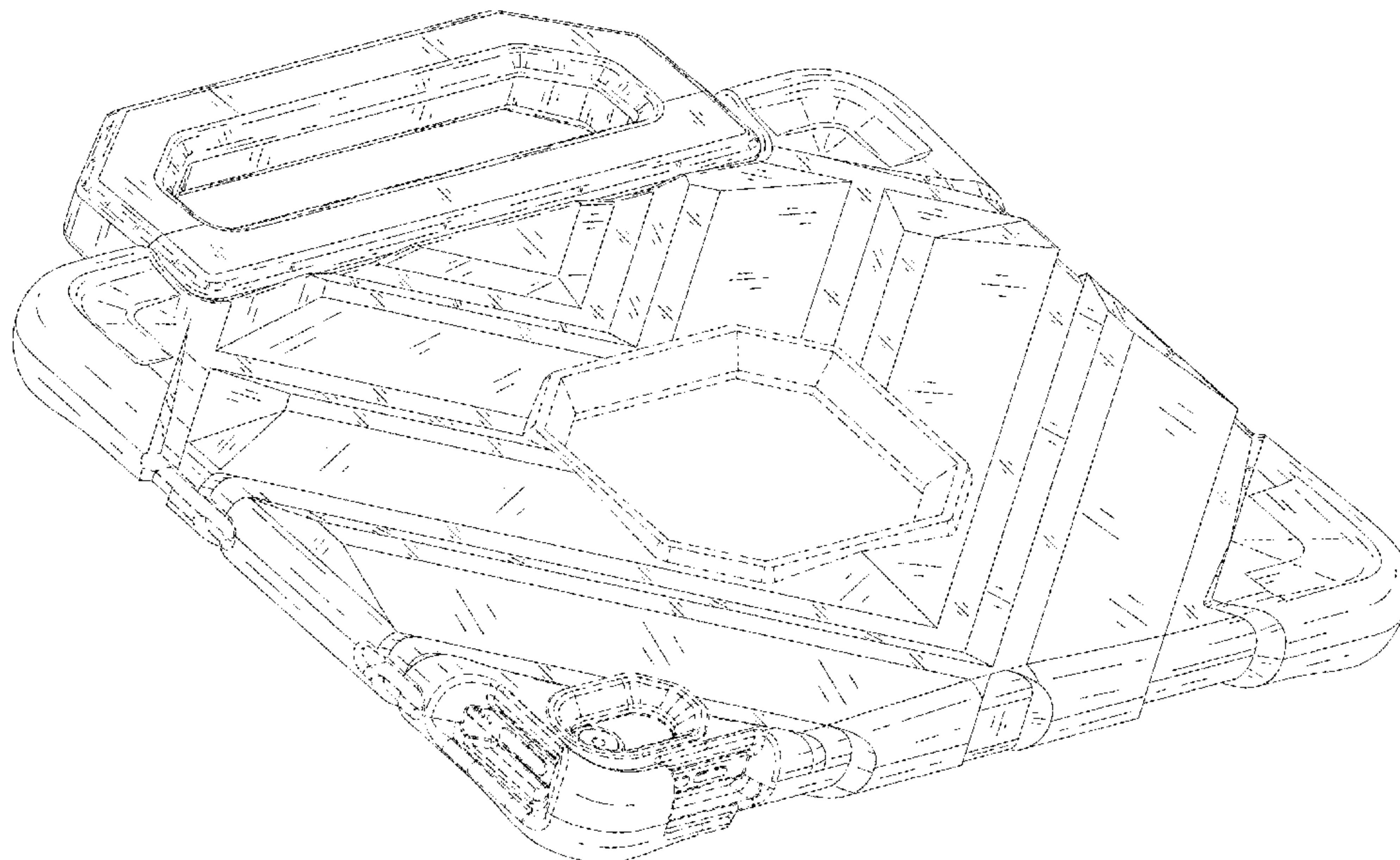
FIG. 1 is a top perspective view of a case for portable electronic computing device showing our new design. FIG. 2 is a bottom perspective view thereof. FIG. 3 is a front elevational view thereof. FIG. 4 is a rear elevational view thereof. FIG. 5 is a top plan view thereof. FIG. 6 is a bottom plan view thereof. FIG. 7 is a left elevational view thereof; and, FIG. 8 is a right elevational view thereof. The features shown in broken lines in the drawing figures depict features that form no part of the claimed design.

**1 Claim, 6 Drawing Sheets**

(56) **References Cited**

**U.S. PATENT DOCUMENTS**

- D681,641 S 5/2013 Van Den Nieuwenhuizen et al.
- D721,080 S 1/2015 Mecchella et al.
- D724,093 S 3/2015 Dong
- D727,915 S 4/2015 Mecchella et al.
- D727,917 S \* 4/2015 Yeo ..... D14/440
- D789,937 S 6/2017 Zhang
- D801,976 S 11/2017 Li
- D808,395 S 1/2018 Fenton
- D810,732 S 2/2018 Fenton et al.
- D811,412 S \* 2/2018 McCurdy ..... D14/440
- D812,620 S 3/2018 Cheng
- D816,087 S 4/2018 Fenton et al.
- D816,088 S 4/2018 Fenton et al.



(56)

References Cited

U.S. PATENT DOCUMENTS

D862,480 S	*	10/2019	Chan .....	D14/440	D943,591 S	2/2022	Zhu	
D863,317 S		10/2019	Piper et al.		D943,593 S	2/2022	Piper	
D868,788 S		12/2019	Weng		D945,428 S	*	Xu .....	D14/440
D872,070 S		1/2020	Fenton et al.		D946,577 S	*	Wall .....	D14/440
D874,467 S		2/2020	Piper et al.		D941,823 S		Hu	
D877,509 S		3/2020	Kilkenny		D963,654 S		Yan	
D877,726 S		3/2020	Fenton et al.		D964,994 S		Chan et al.	
D880,159 S		4/2020	Fenton et al.		D964,995 S		Troedson et al.	
D881,895 S		4/2020	Liu		D964,996 S		Piper	
D887,415 S		6/2020	Claudepierre et al.		D964,997 S		Chan	
D887,709 S		6/2020	Fenton et al.		D964,998 S		Troedson et al.	
D887,710 S		6/2020	Chan et al.		D965,599 S	10/2022	Piper	
D888,062 S		6/2020	Piper et al.		D966,272 S	10/2022	Chan	
D888,063 S		6/2020	Chan et al.		D966,273 S	10/2022	Chan et al.	
D888,428 S		6/2020	Chan et al.		D967,112 S	10/2022	Troedson et al.	
D888,720 S		6/2020	Moore		D967,113 S	*	Chang .....	D14/440
D892,806 S		8/2020	Manzano et al.		D967,114 S		Piper	
D895,630 S		9/2020	Piper et al.		D967,828 S	10/2022	Cheng	
D897,092 S		9/2020	Chan et al.		D967,830 S	10/2022	Cheng	
D897,349 S	*	9/2020	Li .....	D14/440	D969,134 S	11/2022	Chan	
D902,215 S		11/2020	Quan		D970,510 S	11/2022	Cheng	
D902,934 S		11/2020	Manzano et al.		D971,221 S	11/2022	Chan et al.	
D908,708 S		1/2021	Miller et al.		D971,924 S	12/2022	Zhou	
D913,295 S		3/2021	Piper et al.		D972,574 S	12/2022	Li	
D920,337 S		5/2021	Chan et al.		D973,058 S	12/2022	Li	
D920,983 S		6/2021	Chan et al.		D973,666 S	12/2022	Ma	
D922,392 S		6/2021	Chan et al.		D973,667 S	12/2022	Ma	
D924,876 S		7/2021	Chan et al.		D973,669 S	12/2022	Piper	
D926,194 S		7/2021	Piper et al.		D976,914 S	1/2023	Huang	
D930,002 S		9/2021	Zhou		D977,482 S	*	Xu .....	D14/440
D932,493 S		10/2021	Xiong		D977,487 S	2/2023	Troedson et al.	
D933,074 S		10/2021	Hu		D978,154 S	2/2023	Gao	
D934,262 S		10/2021	Manzano et al.		D978,864 S	2/2023	Long	
D940,145 S		1/2022	Zhang		D978,868 S	2/2023	Gao	
					D980,225 S	3/2023	Cheng	
					D981,418 S	*	Lin .....	D14/440

\* cited by examiner



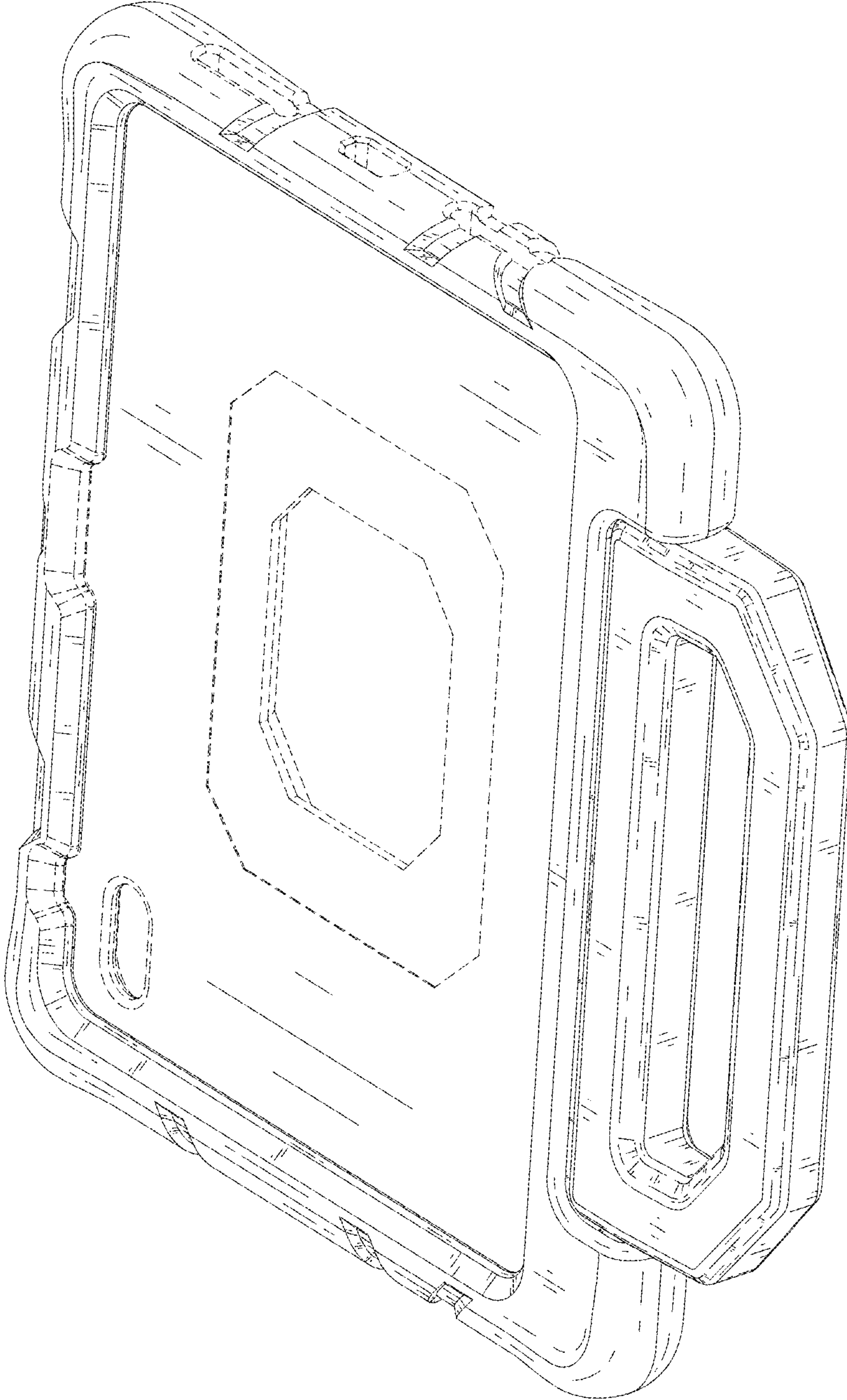
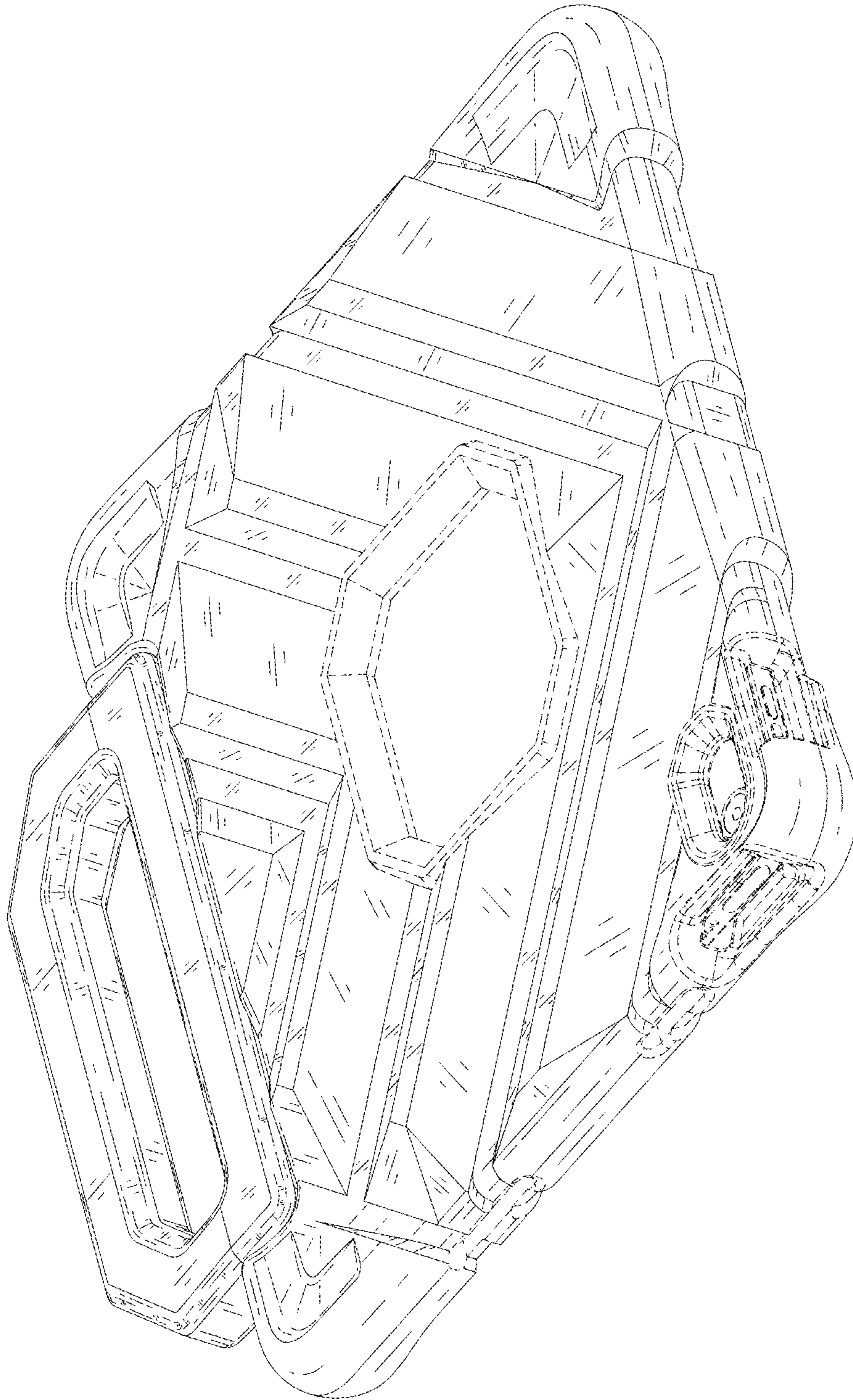
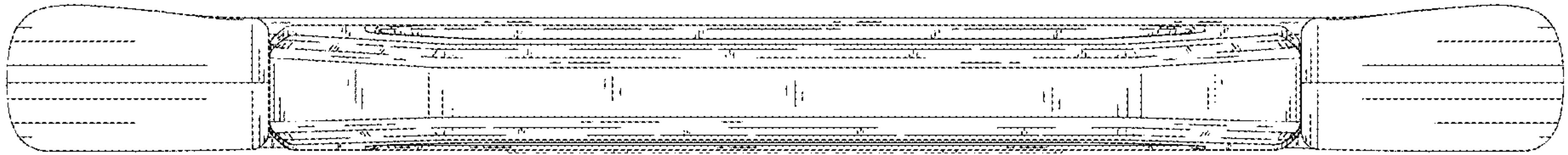


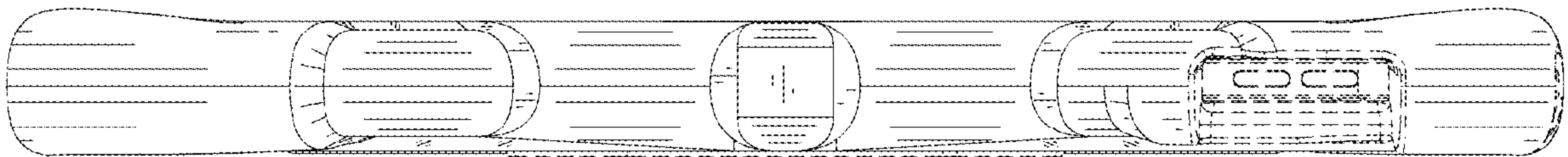
FIG. 1



*FIG. 2*



*FIG. 3*



*FIG. 4*

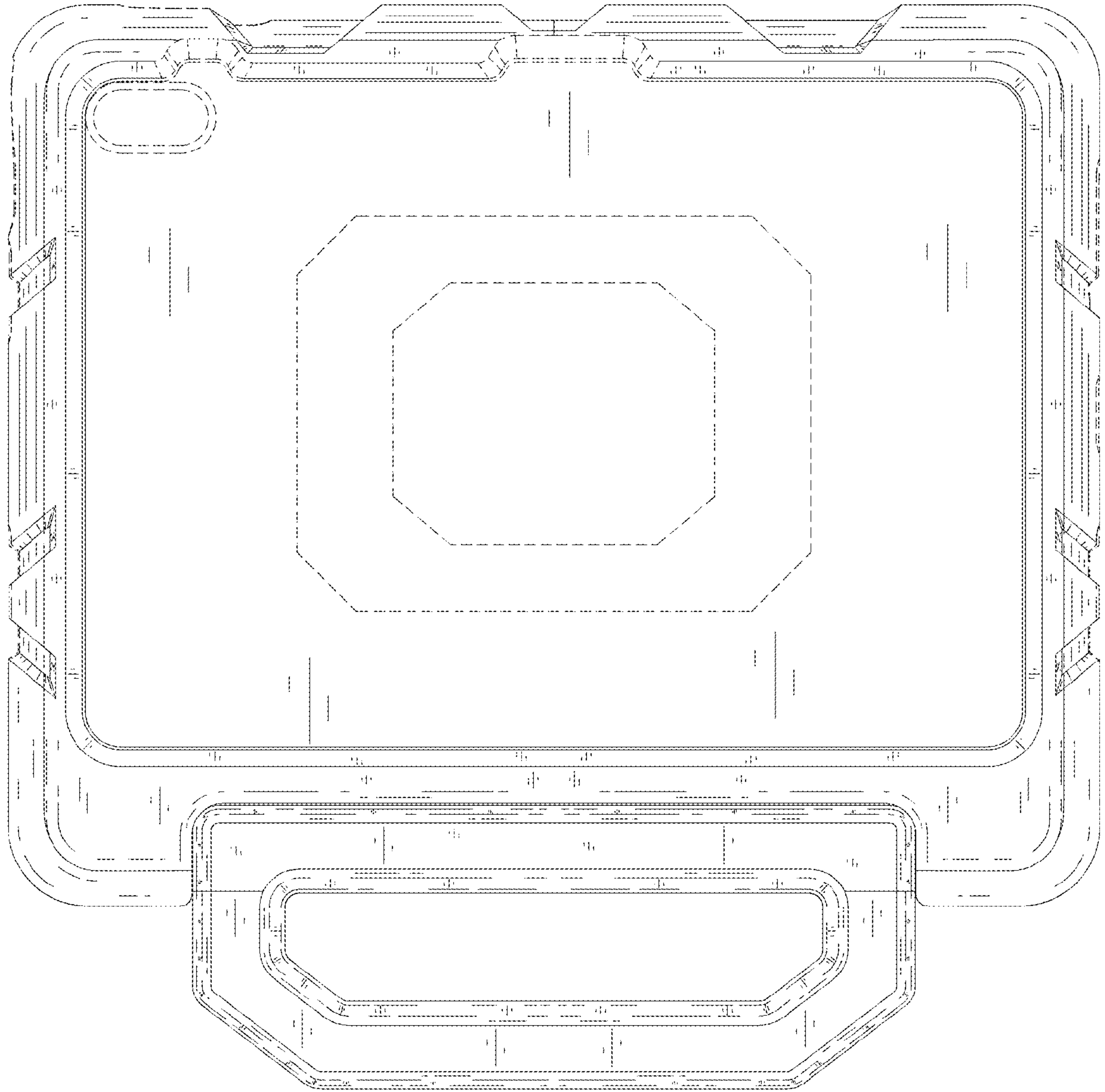


FIG. 5



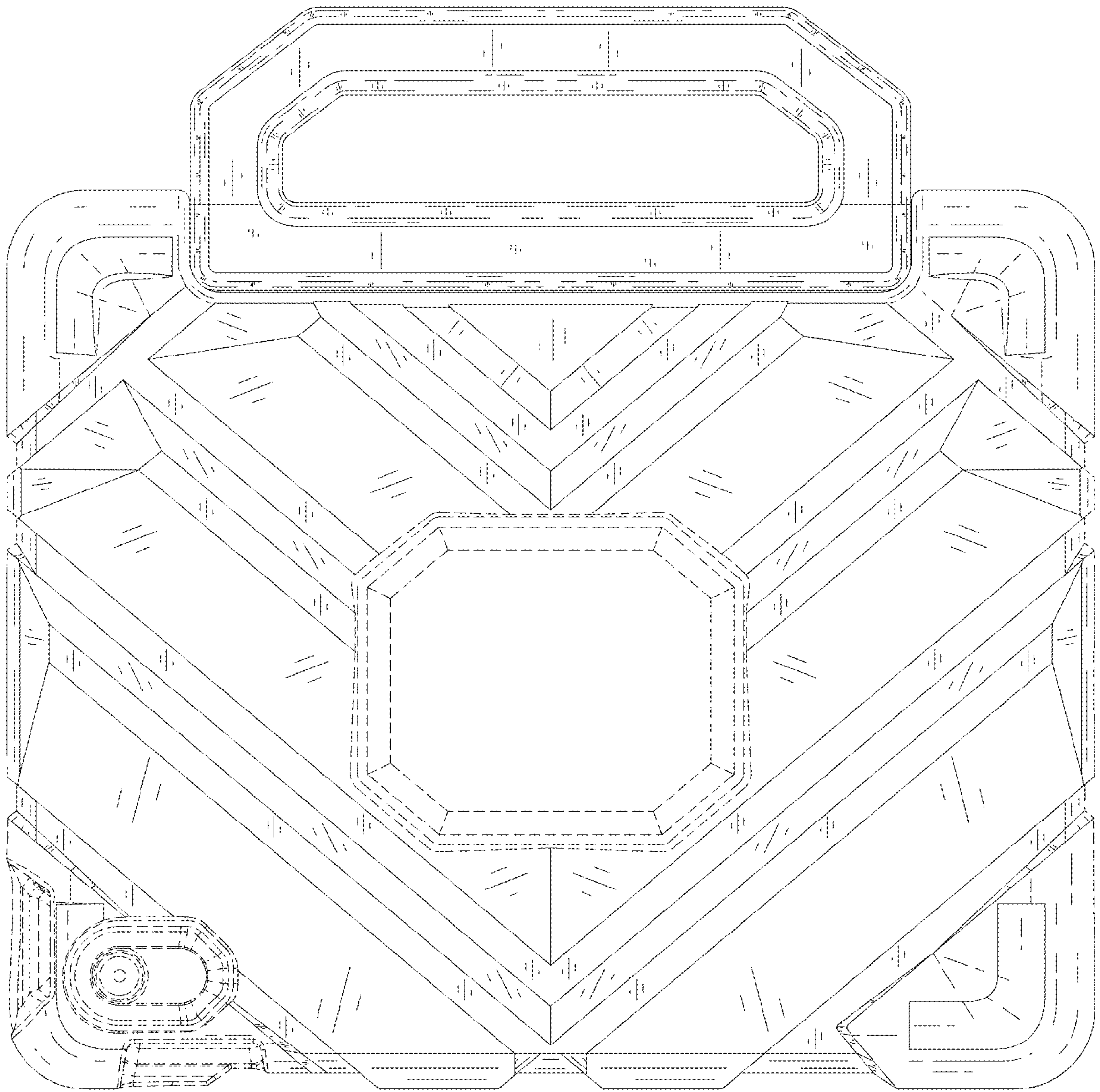
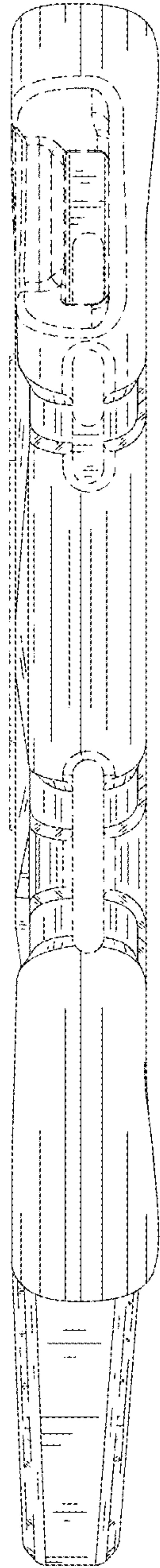
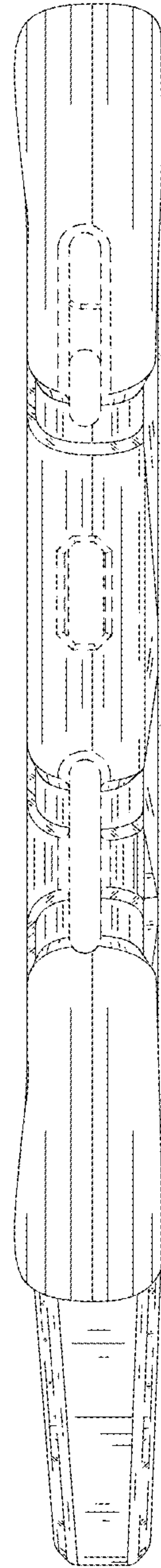


FIG. 6



*FIG. 7*



*FIG. 8*