



US00D988329S

(12) **United States Design Patent**
Troedson et al.

(10) **Patent No.:** **US D988,329 S**
(45) **Date of Patent:** **** Jun. 6, 2023**

(54) **CASE FOR PORTABLE ELECTRONIC COMPUTING DEVICE**

(71) Applicant: **Pioneer Square Brands, Inc.**, Seattle, WA (US)

(72) Inventors: **Emelie Elna Victoria Troedson**, Seattle, WA (US); **Brian Lewis Piper**, Seattle, WA (US)

(73) Assignee: **Pioneer Square Brands, Inc.**, McLean, VA (US)

(**) Term: **15 Years**

(21) Appl. No.: **29/886,671**

(22) Filed: **Mar. 11, 2023**

(51) **LOC (14) Cl.** **14-02**

(52) **U.S. Cl.**
USPC **D14/440**

(58) **Field of Classification Search**
USPC D14/440, 447, 250
CPC ... G06F 1/1628; G06F 1/1626; A47B 23/044; A45C 11/00
See application file for complete search history.

(56) **References Cited**

U.S. PATENT DOCUMENTS

- D659,132 S * 5/2012 Wen G06F 1/1626 D14/250
- D681,641 S 5/2013 Van Den Nieuwenhuizen et al.
- 8,523,124 B2 * 9/2013 Yuan H04M 1/04 248/677
- D716,312 S * 10/2014 Fujioka D14/440
- D721,080 S 1/2015 Mecchella et al.
- D724,093 S 3/2015 Dong
- D727,915 S 4/2015 Mecchella et al.
- D754,133 S * 4/2016 Chen D14/440
- D762,631 S * 8/2016 Kim D14/250

- D789,937 S 6/2017 Zhang
- D801,976 S 11/2017 Li
- D808,395 S 1/2018 Fenton
- D810,732 S 2/2018 Fenton et al.
- D812,620 S 3/2018 Cheng
- D816,087 S 4/2018 Fenton et al.
- D817,334 S 5/2018 Fenton et al.
- D819,038 S 5/2018 Diebel
- D852,201 S 1/2019 Chan et al.
- D841,012 S 2/2019 Kim et al.
- D841,013 S 2/2019 Ferren et al.
- D861,698 S 2/2019 Fenton et al.
- D844,611 S * 4/2019 Ferren D14/455
- D848,441 S 5/2019 Ferren et al.
- D837,796 S 6/2019 Kim et al.
- D850,454 S * 6/2019 Kim D14/440
- D852,199 S 6/2019 Kim et al.
- D852,200 S 6/2019 Chan et al.
- D863,314 S 7/2019 Chan et al.
- D863,315 S 7/2019 Chan et al.

(Continued)

Primary Examiner — Cynthia R Underwood

(74) *Attorney, Agent, or Firm* — Grandview Law

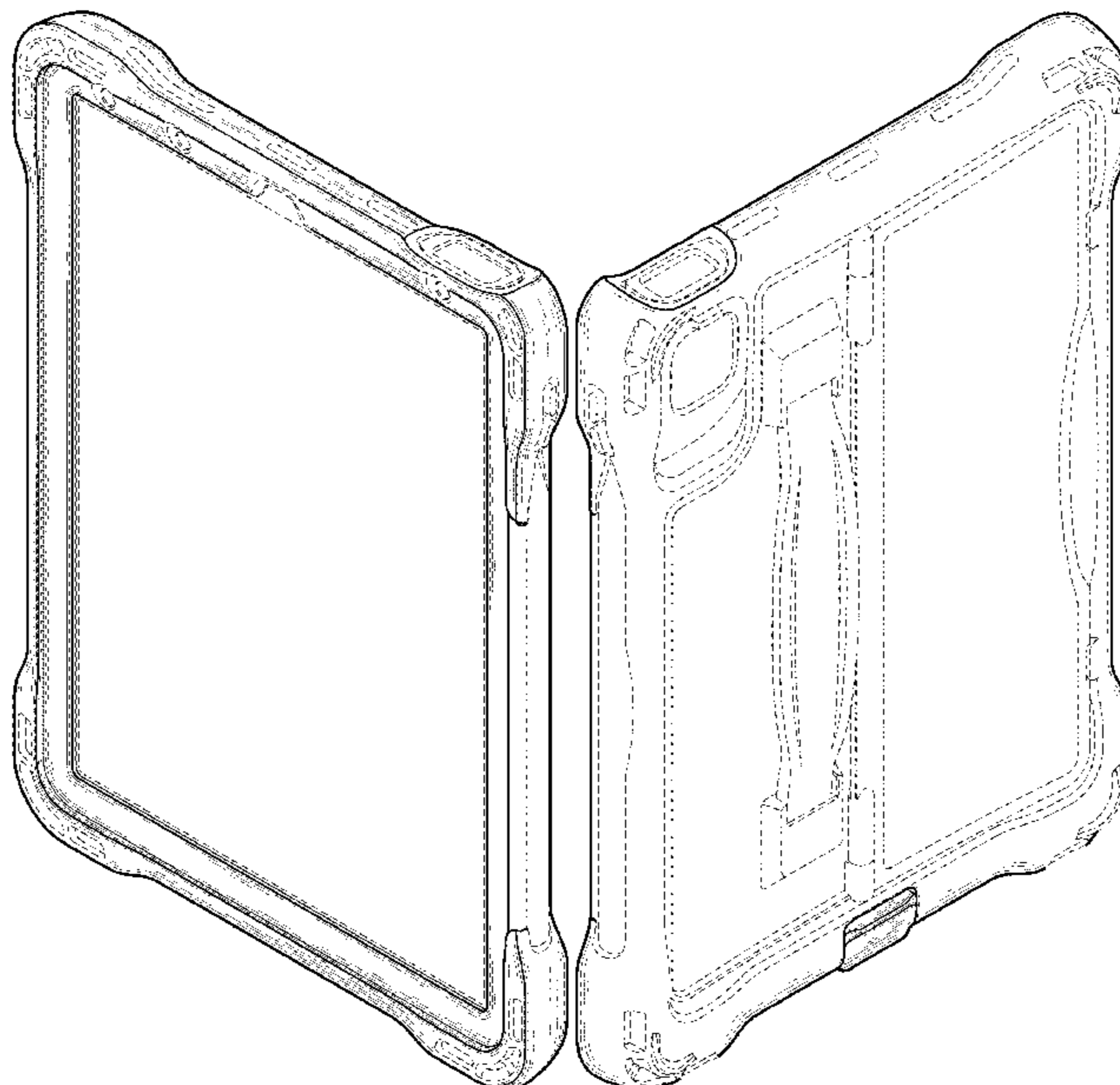
(57) **CLAIM**

The ornamental design for a case for portable electronic computing device, as shown and described.

DESCRIPTION

FIG. 1 is a front perspective view of a case for portable electronic computing device showing our new design.
 FIG. 2 is a rear perspective view thereof.
 FIG. 3 is a front elevational view thereof.
 FIG. 4 is a rear elevational view thereof.
 FIG. 5 is a left elevational view thereof.
 FIG. 6 is a right elevational view thereof.
 FIG. 7 is a top plan view thereof; and,
 FIG. 8 is a bottom plan view thereof.
 The features shown in broken lines in the drawing figures depict features that form no part of the claimed design.

1 Claim, 6 Drawing Sheets



(56)

References Cited

U.S. PATENT DOCUMENTS

D864,210 S 7/2019 Chan et al.
 D863,316 S 9/2019 Chan et al.
 D862,480 S 10/2019 Chan et al.
 D863,317 S * 10/2019 Piper D14/440
 D868,788 S 12/2019 Weng
 D871,388 S * 12/2019 Kim D14/250
 D874,467 S * 2/2020 Piper D14/440
 D877,509 S 3/2020 Kilkenny
 D881,895 S 4/2020 Liu
 D887,415 S 6/2020 Claudepierre et al.
 D888,063 S 6/2020 Chan et al.
 D888,720 S 6/2020 Moore
 10,698,452 B2 * 6/2020 Fenton G06F 1/1607
 10,700,483 B1 * 6/2020 Piper G06F 1/1632
 D892,806 S 8/2020 Manzano et al.
 D895,630 S * 9/2020 Piper D14/440
 D902,215 S 11/2020 Quan
 D902,934 S 11/2020 Manzano et al.
 D908,708 S 1/2021 Miller et al.
 D913,295 S 3/2021 Piper et al.
 D915,377 S * 4/2021 Kim D14/250
 D920,337 S 5/2021 Chan et al.
 D920,983 S 6/2021 Chan et al.
 D922,392 S 6/2021 Chan et al.
 D926,194 S 7/2021 Piper et al.
 D930,002 S 9/2021 Zhou
 D932,493 S 10/2021 Xiong
 D933,074 S 10/2021 Hu
 D934,262 S 10/2021 Manzano et al.
 D940,145 S 1/2022 Zhang

D943,591 S 2/2022 Zhu
 D943,593 S 2/2022 Piper
 D941,823 S 6/2022 Hu
 D963,654 S 9/2022 Yan
 D964,994 S 9/2022 Chan et al.
 D964,995 S 9/2022 Troedson et al.
 D964,996 S 9/2022 Piper
 D964,997 S 9/2022 Chan
 D964,998 S 9/2022 Troedson et al.
 D965,599 S 10/2022 Piper
 D966,272 S 10/2022 Chan
 D966,273 S 10/2022 Chan et al.
 D967,112 S * 10/2022 Troedson D14/440
 D967,114 S 10/2022 Piper
 D967,828 S 10/2022 Cheng
 D967,830 S 10/2022 Cheng
 D968,413 S * 11/2022 Li D14/440
 D969,134 S 11/2022 Chan
 D970,510 S 11/2022 Cheng
 D971,221 S 11/2022 Chan et al.
 D971,924 S 12/2022 Zhou
 D972,574 S 12/2022 Li
 D973,058 S 12/2022 Li
 D973,666 S 12/2022 Ma
 D973,667 S 12/2022 Ma
 D976,914 S 1/2023 Huang
 D978,154 S 2/2023 Gao
 D978,864 S 2/2023 Long
 D978,868 S 2/2023 Gao
 D980,225 S 3/2023 Cheng
 11,602,206 B1 * 3/2023 Troedson A45C 11/00
 D982,590 S * 4/2023 Troedson et al. D14/440

* cited by examiner

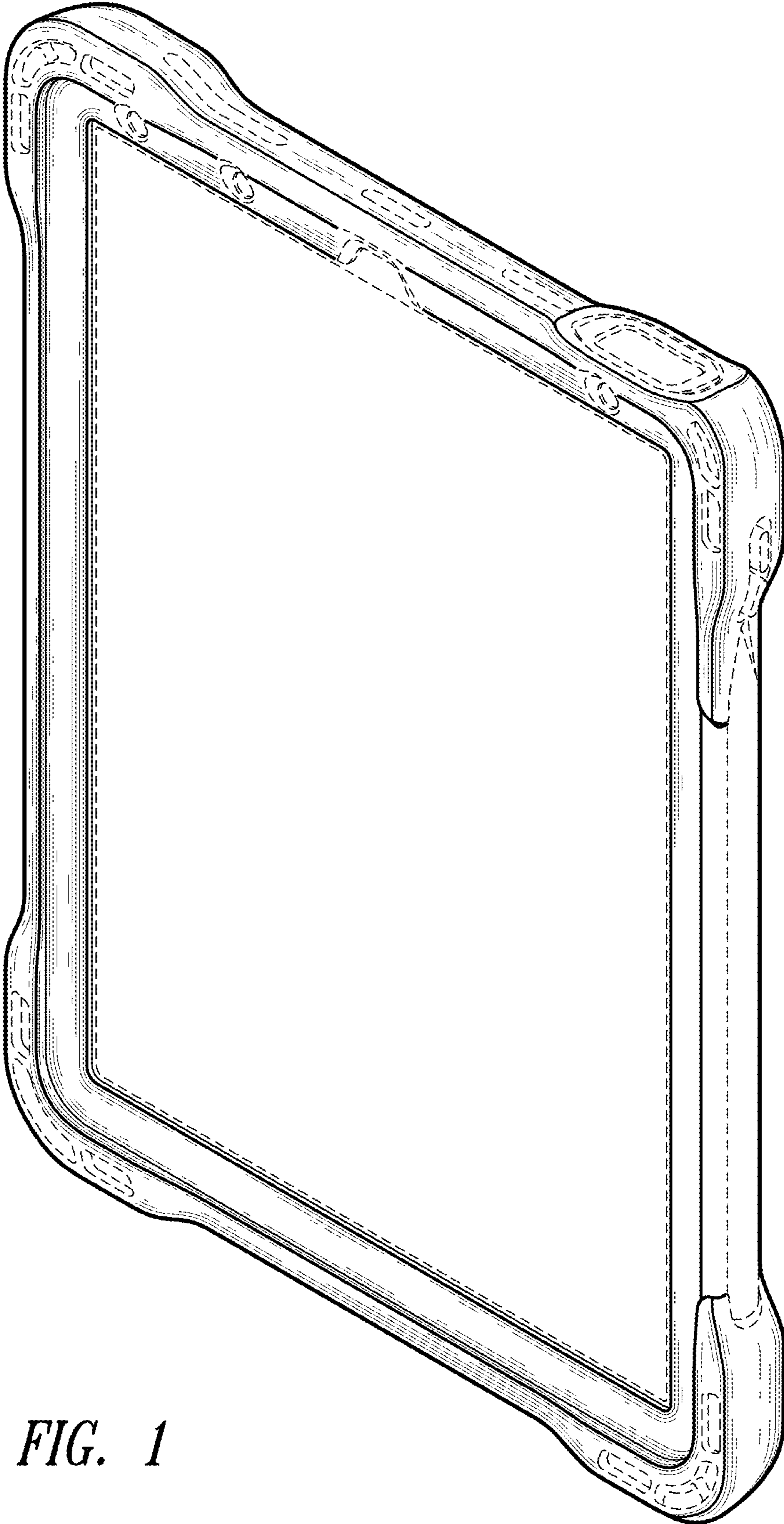


FIG. 1

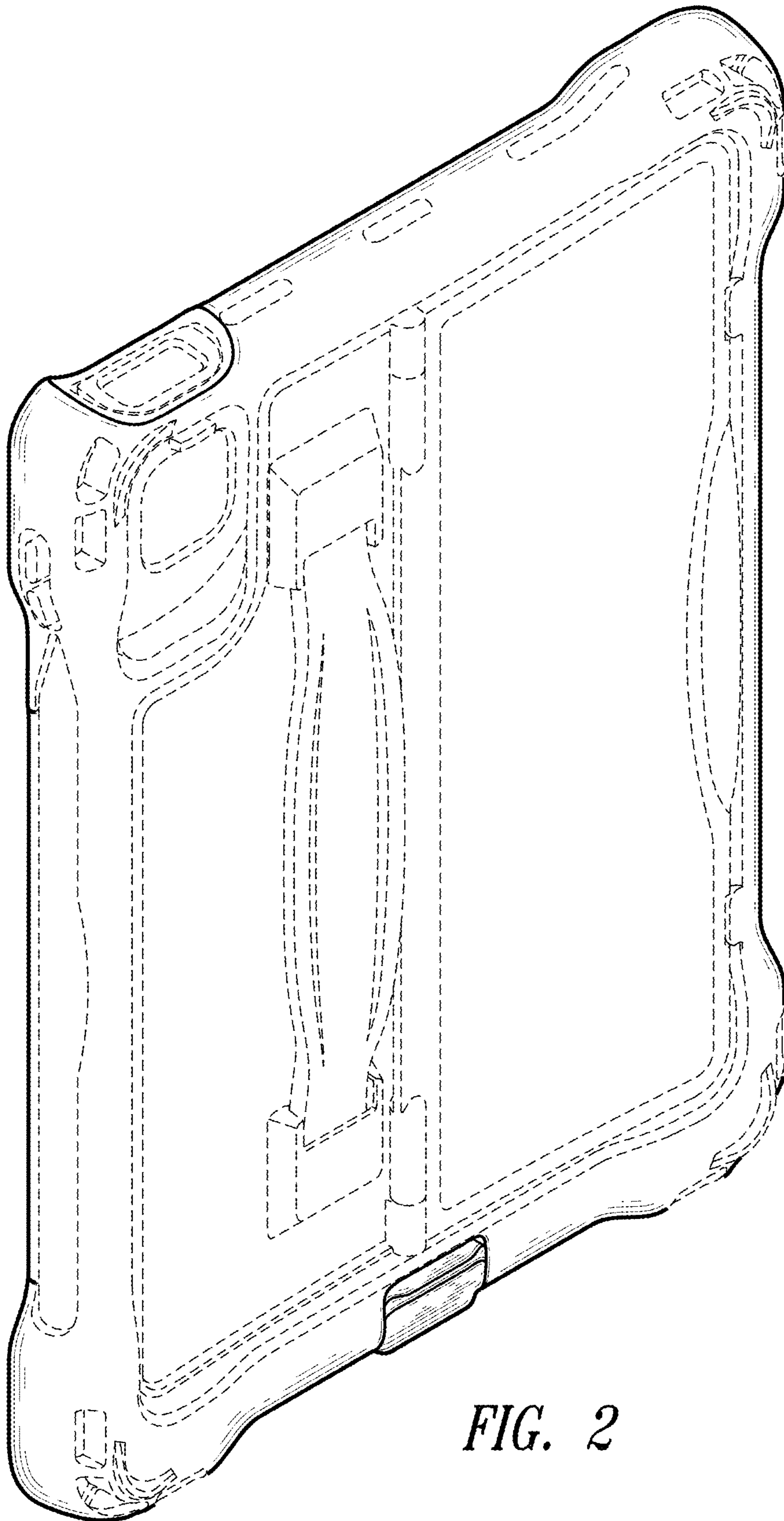


FIG. 2

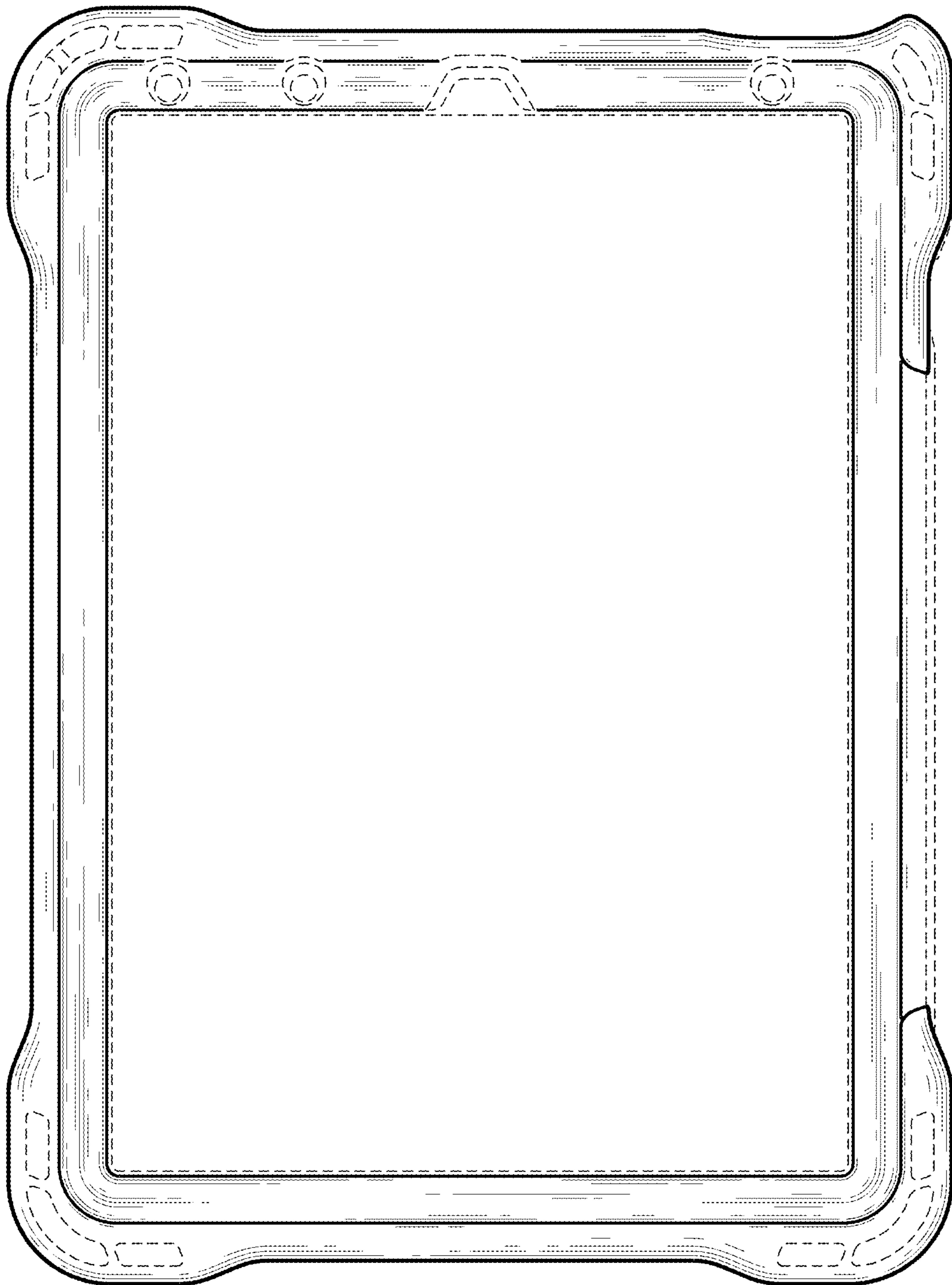


FIG. 3

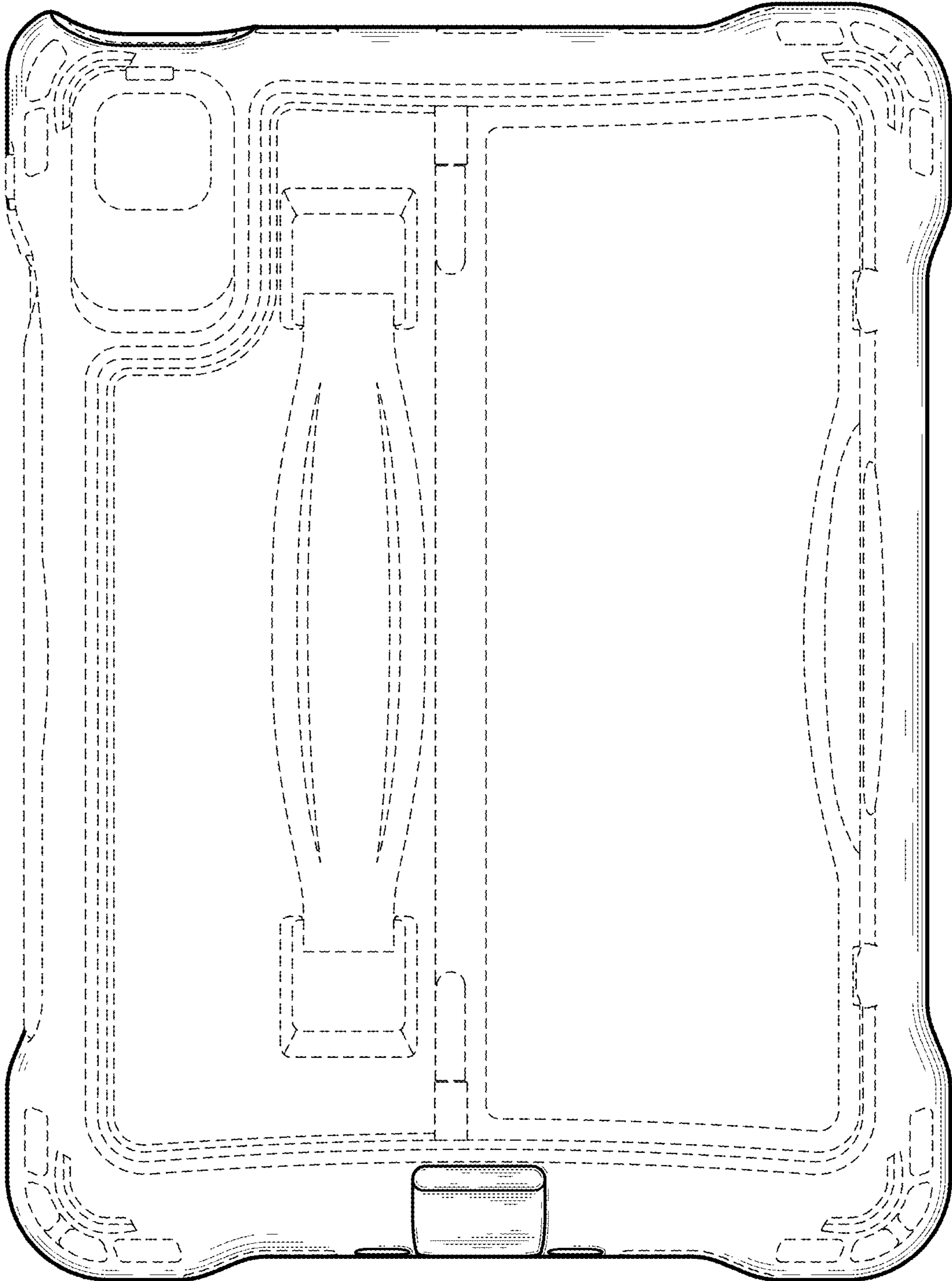


FIG. 4

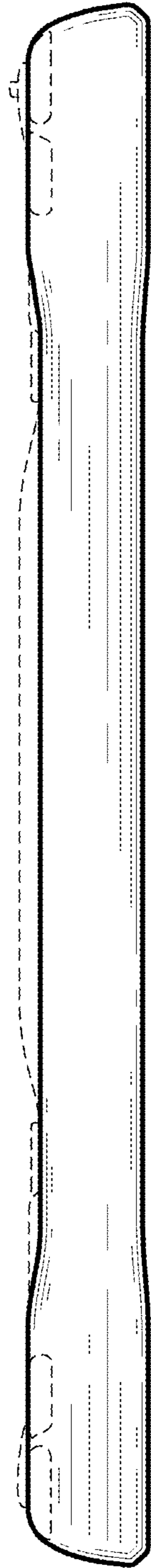


FIG. 5

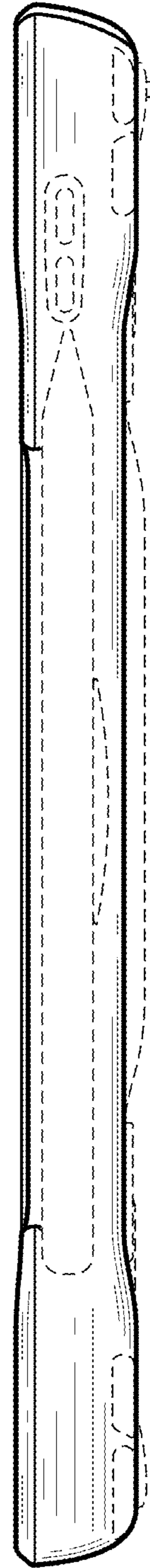


FIG. 6

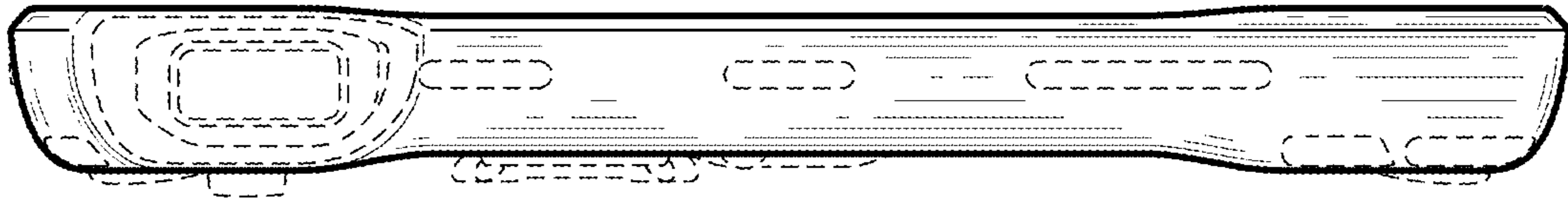


FIG. 7

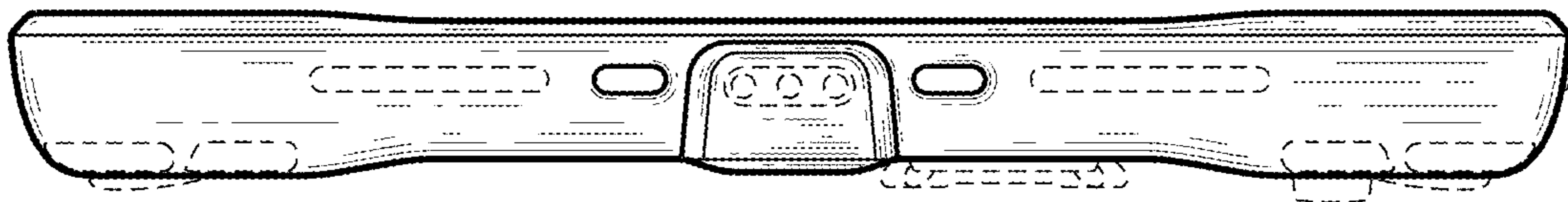


FIG. 8