



US00D988328S

(12) **United States Design Patent**
Cheng

(10) **Patent No.:** **US D988,328 S**
(45) **Date of Patent:** **** Jun. 6, 2023**

(54) **TABLET CASE COMPRISED OF A REAR CASE AND A FRONT CASE**

Primary Examiner — Cynthia R Underwood

(71) Applicant: **GUANGZHOU HUIYUE TECHNOLOGY DEVELOPMENT CO., LTD.**, Guangzhou (CN)

(57) **CLAIM**

The ornamental design for a tablet case comprised of a rear case and a front case, as shown and described.

(72) Inventor: **Ganhua Cheng**, Anqing (CN)

DESCRIPTION

(73) Assignee: **GUANGZHOU HUIYUE TECHNOLOGY DEVELOPMENT CO., LTD.**, Guangzhou (CN)

(**) Term: **15 Years**

FIG. 1 is a perspective view of a tablet case comprised of a rear case and a front case, shown without the front case; FIG. 2 is another perspective view thereof; FIG. 3 is a front elevational view thereof; FIG. 4 is a rear elevational view thereof; FIG. 5 is a left side elevational view thereof; FIG. 6 is a right side elevational view thereof; FIG. 7 is a top plan view thereof; FIG. 8 is a bottom plan view thereof; FIG. 9 is an enlarged view of portion 9 shown in FIG. 1; FIG. 10 is a perspective view of the tablet case comprised of a rear case and a front case, shown without the rear case; FIG. 11 is another perspective view thereof; FIG. 12 is a front elevational view thereof; FIG. 13 is a rear elevational view thereof; FIG. 14 is a left side elevational view thereof; FIG. 15 is a right side elevational view thereof; FIG. 16 is a top plan view thereof; FIG. 17 is a bottom plan view thereof; FIG. 18 is an enlarged view of portion 18 shown in FIG. 11; and FIG. 19 is an exploded perspective view of the tablet case comprised of a rear case and a front case; and, FIG. 20 is a perspective view of the tablet case comprised of a rear case and a front case where the front case is covered with the rear case.

(21) Appl. No.: **29/867,859**

(22) Filed: **Nov. 11, 2022**

(51) **LOC (14) Cl.** **14-02**

(52) **U.S. Cl.**
USPC **D14/440**

(58) **Field of Classification Search**
USPC D14/440, 447, 250; 361/679.55; 206/45.23, 320, 45.2; 294/25; 455/575.8; D3/294
CPC ... G06F 1/1628; G06F 1/1626; A47B 23/044; A45C 11/00
See application file for complete search history.

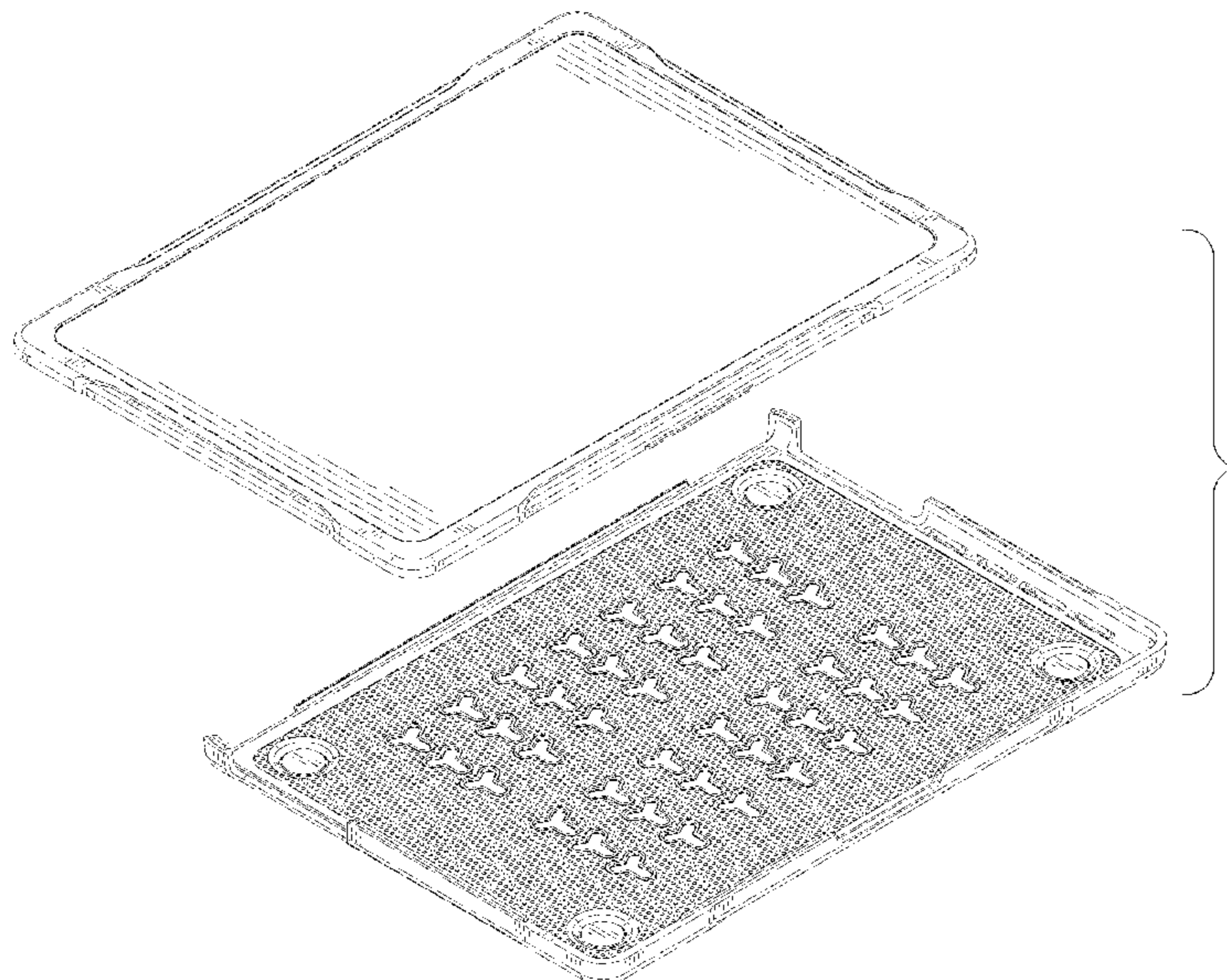
(56) **References Cited**

U.S. PATENT DOCUMENTS

D770,458 S *	11/2016	Corcoran	D14/440
D797,108 S	9/2017	Liu		
D851,648 S *	6/2019	Tan	D14/440
D868,071 S *	11/2019	Liu	D14/440
D868,072 S	11/2019	Lei		
D892,803 S *	8/2020	Armstrong	D14/440
D923,012 S *	6/2021	Li	D14/440
D928,165 S *	8/2021	Li	D14/440
D941,297 S *	1/2022	Wright	D14/440

(Continued)

1 Claim, 20 Drawing Sheets



(56)

References Cited

U.S. PATENT DOCUMENTS

D946,578 S * 3/2022 Cheng D14/440
D962,949 S * 9/2022 Xu D14/440

* cited by examiner

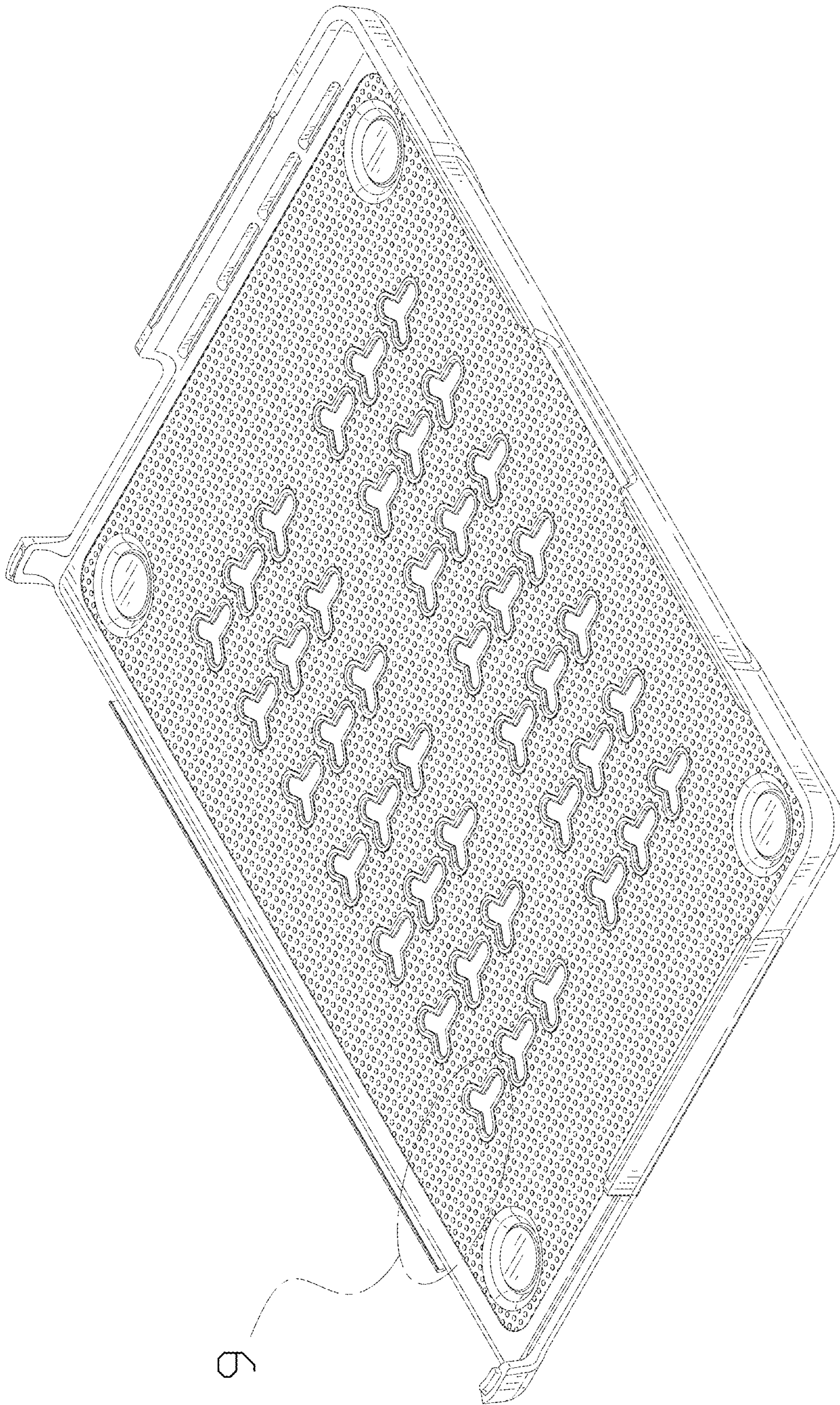


FIG. 1

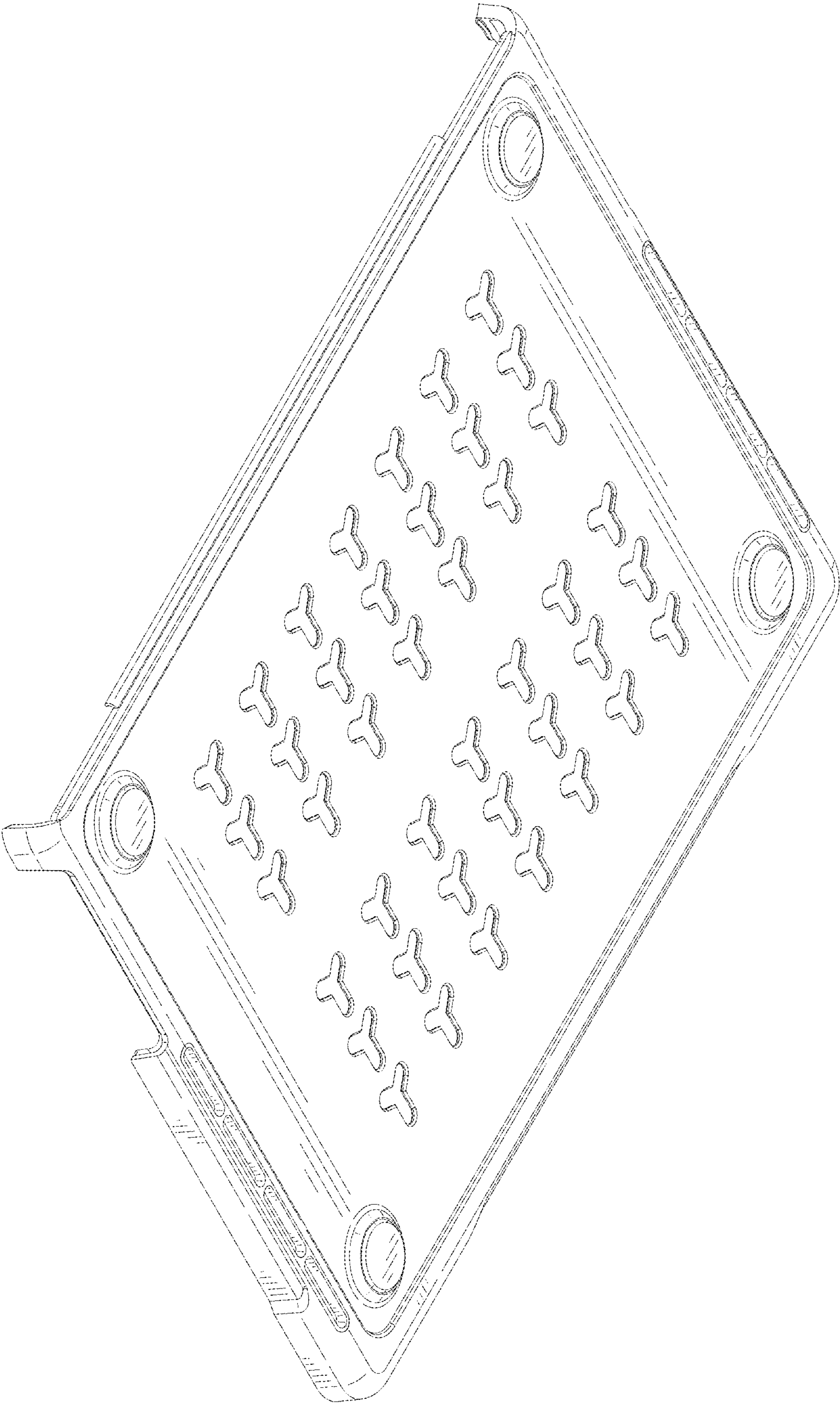


FIG. 2

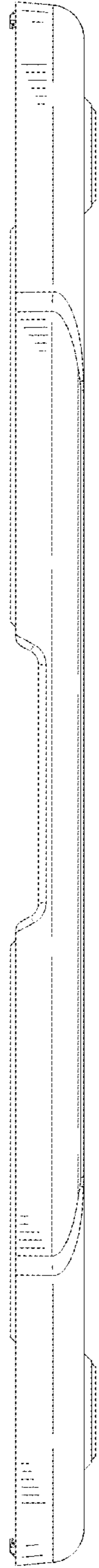


FIG. 3

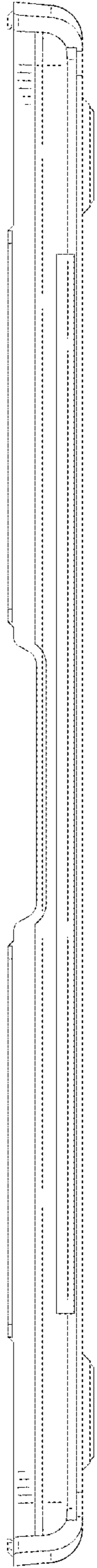


FIG. 4

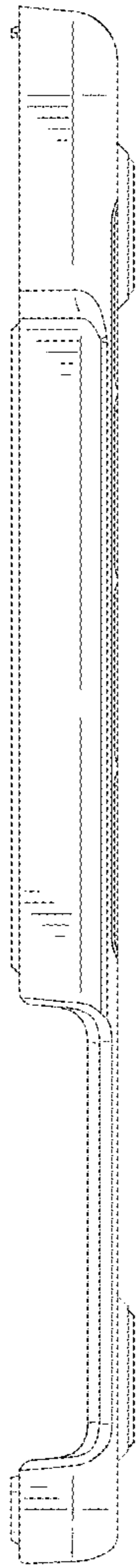


FIG. 5

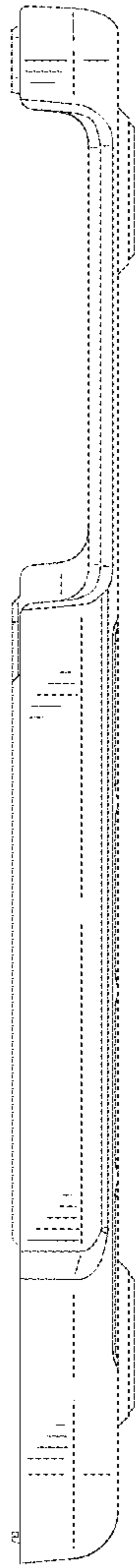


FIG. 6

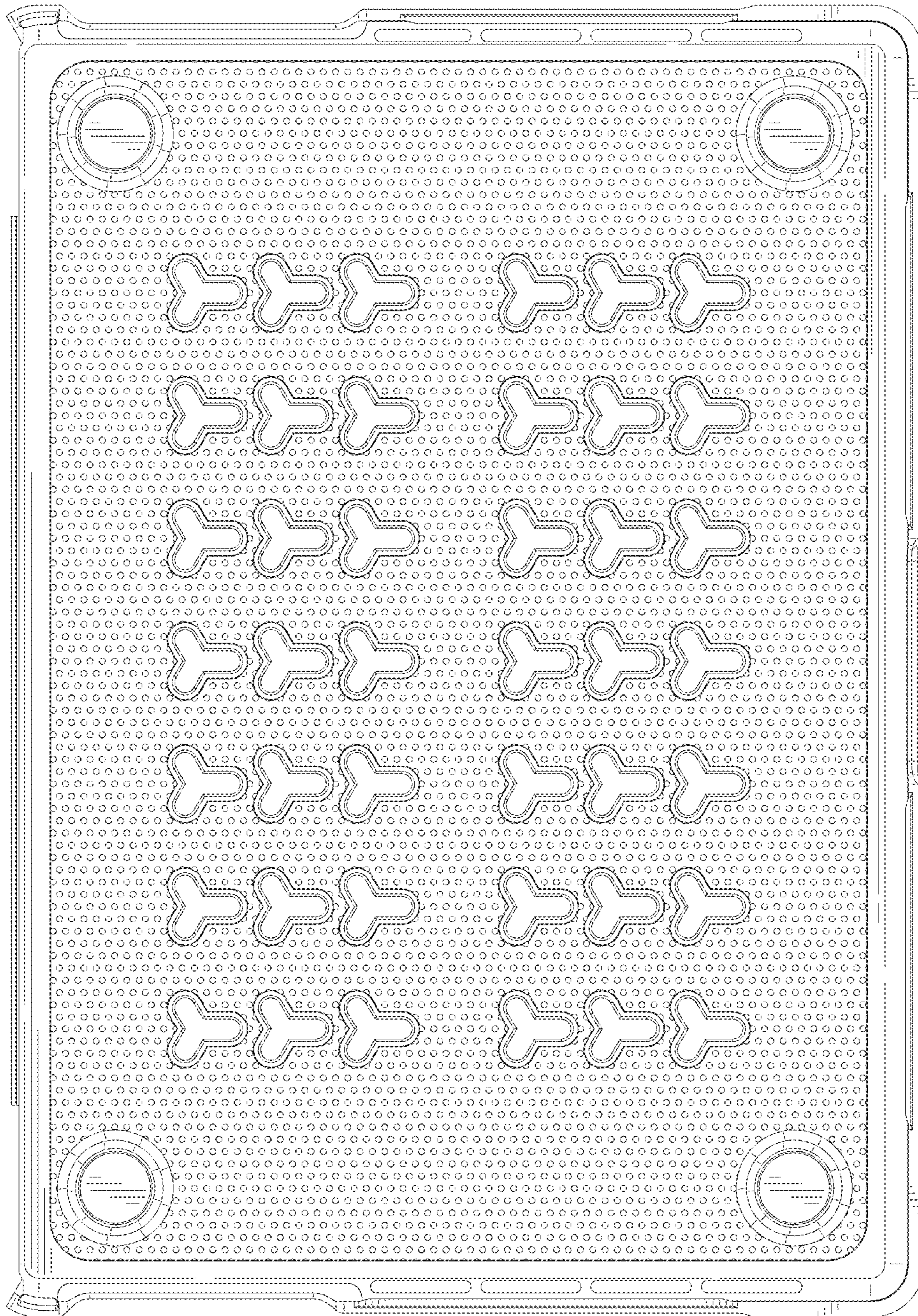


FIG. 7

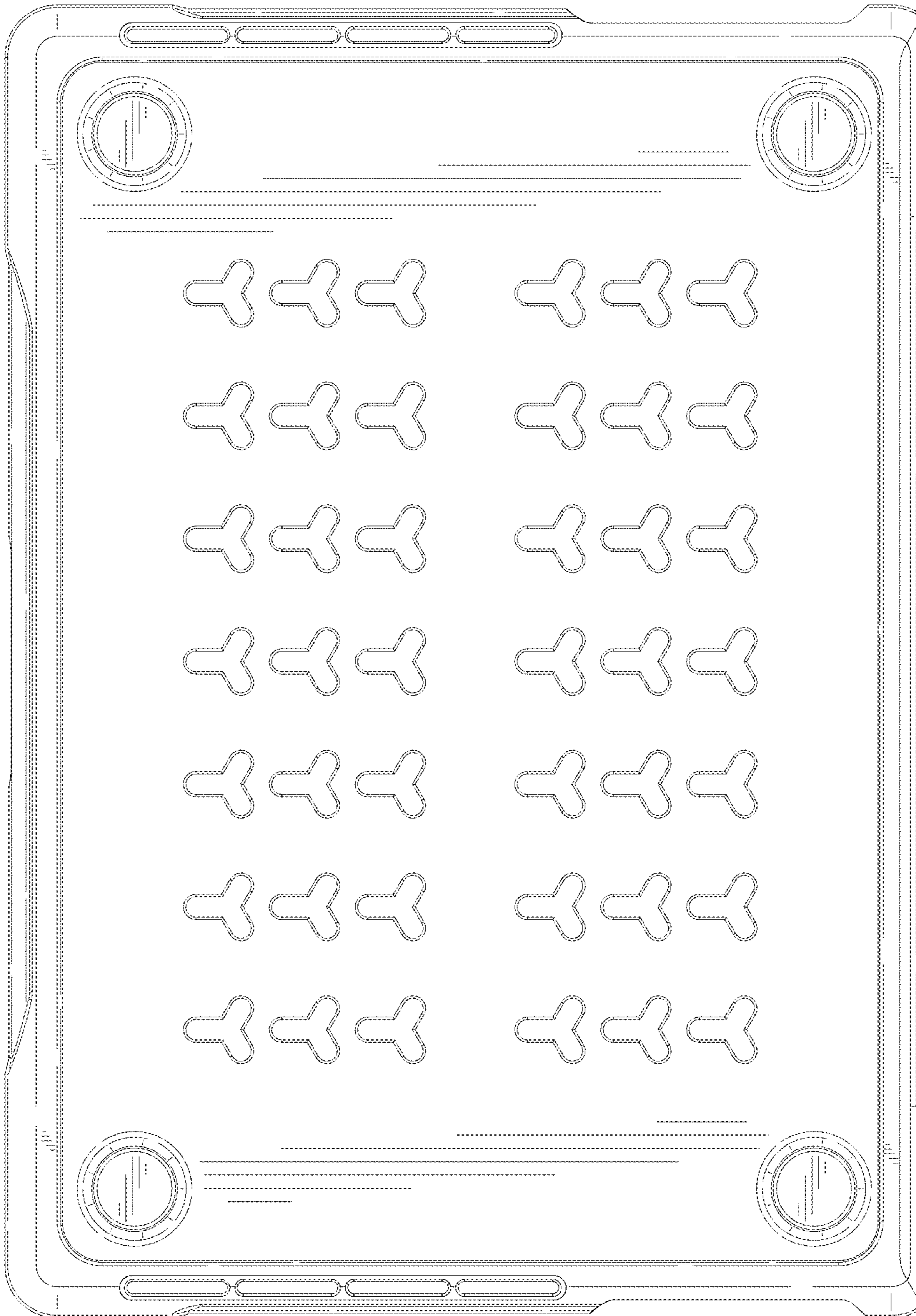


FIG. 8



FIG. 9

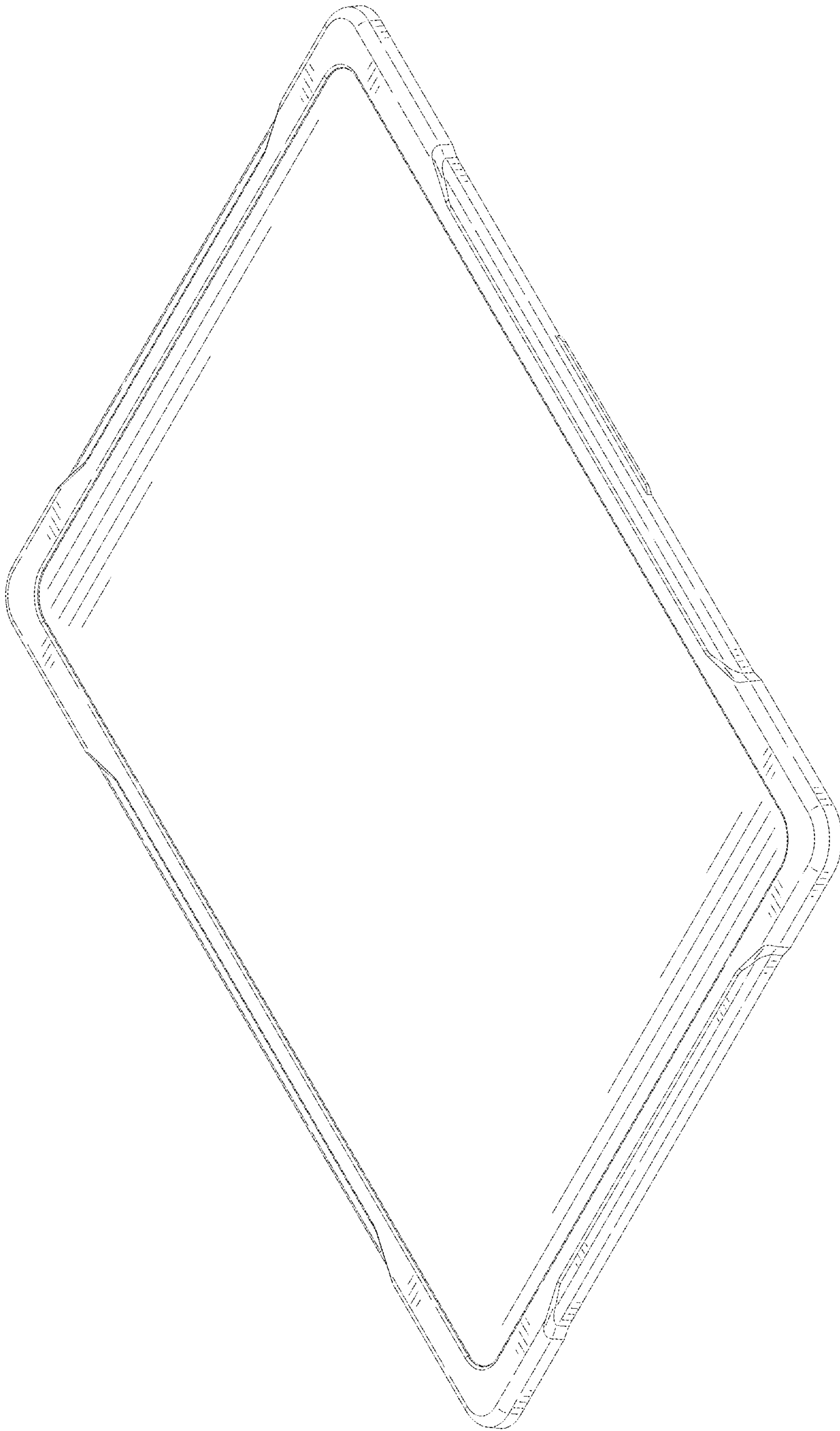


FIG. 10

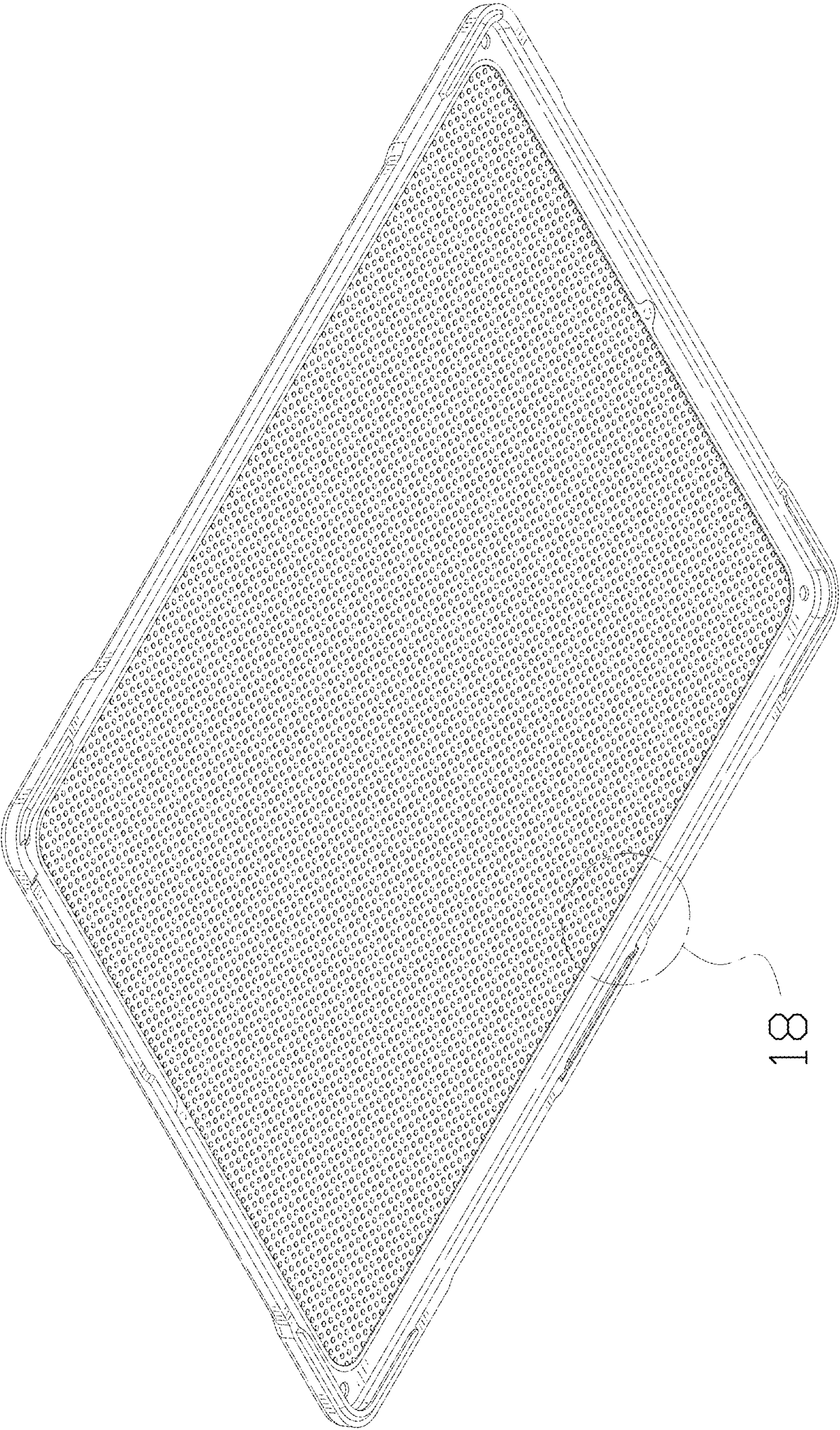


FIG. 11

18

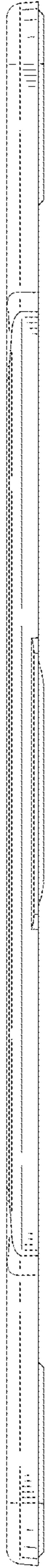


FIG. 12



FIG. 13

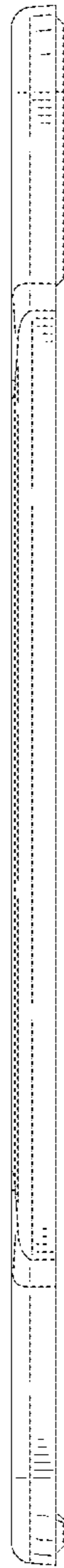


FIG. 14

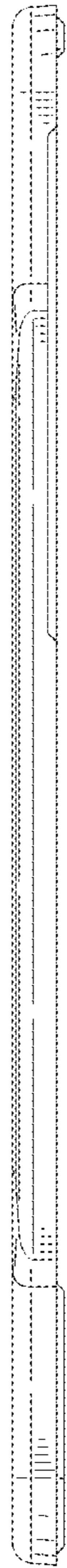


FIG. 15

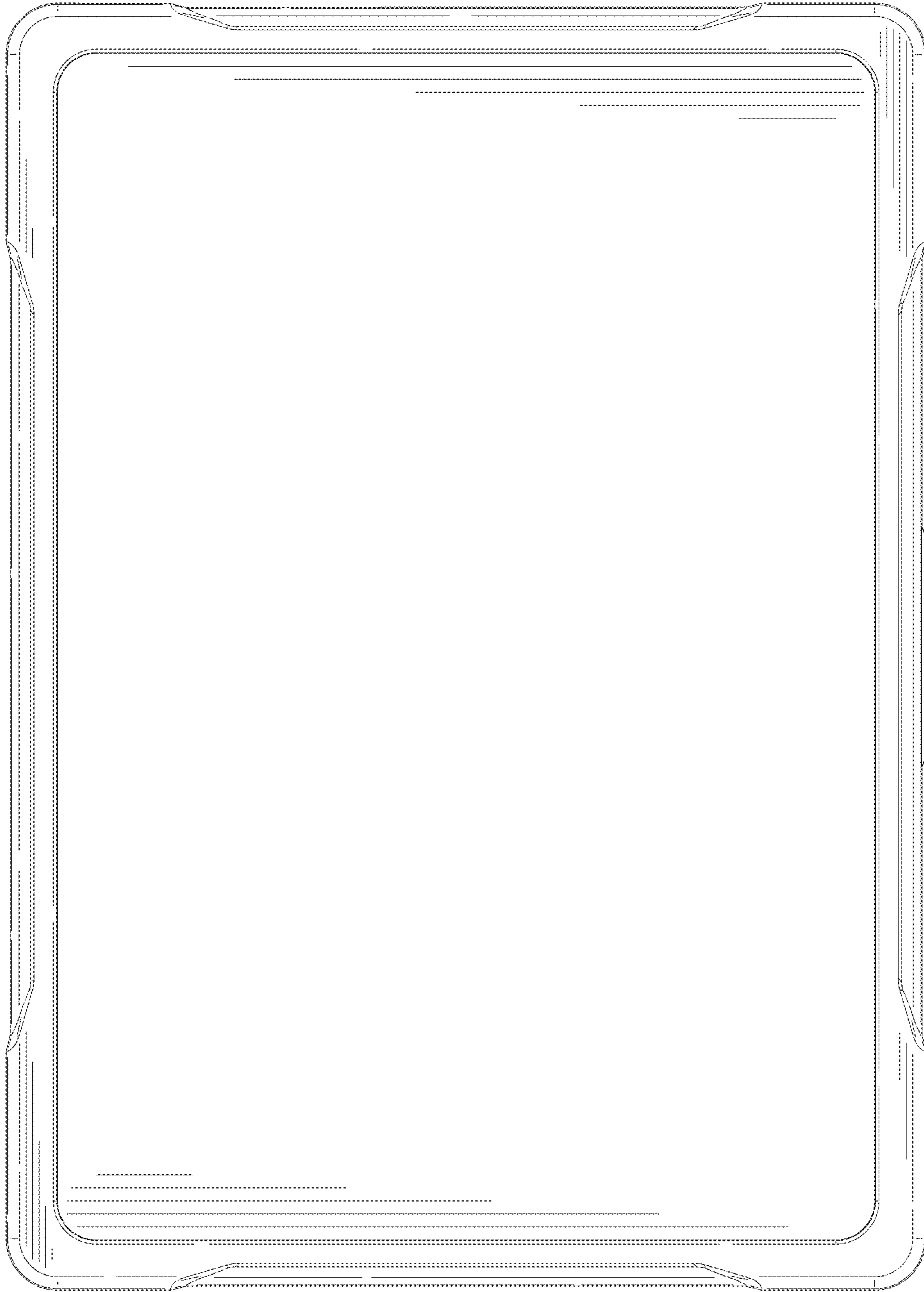


FIG. 16

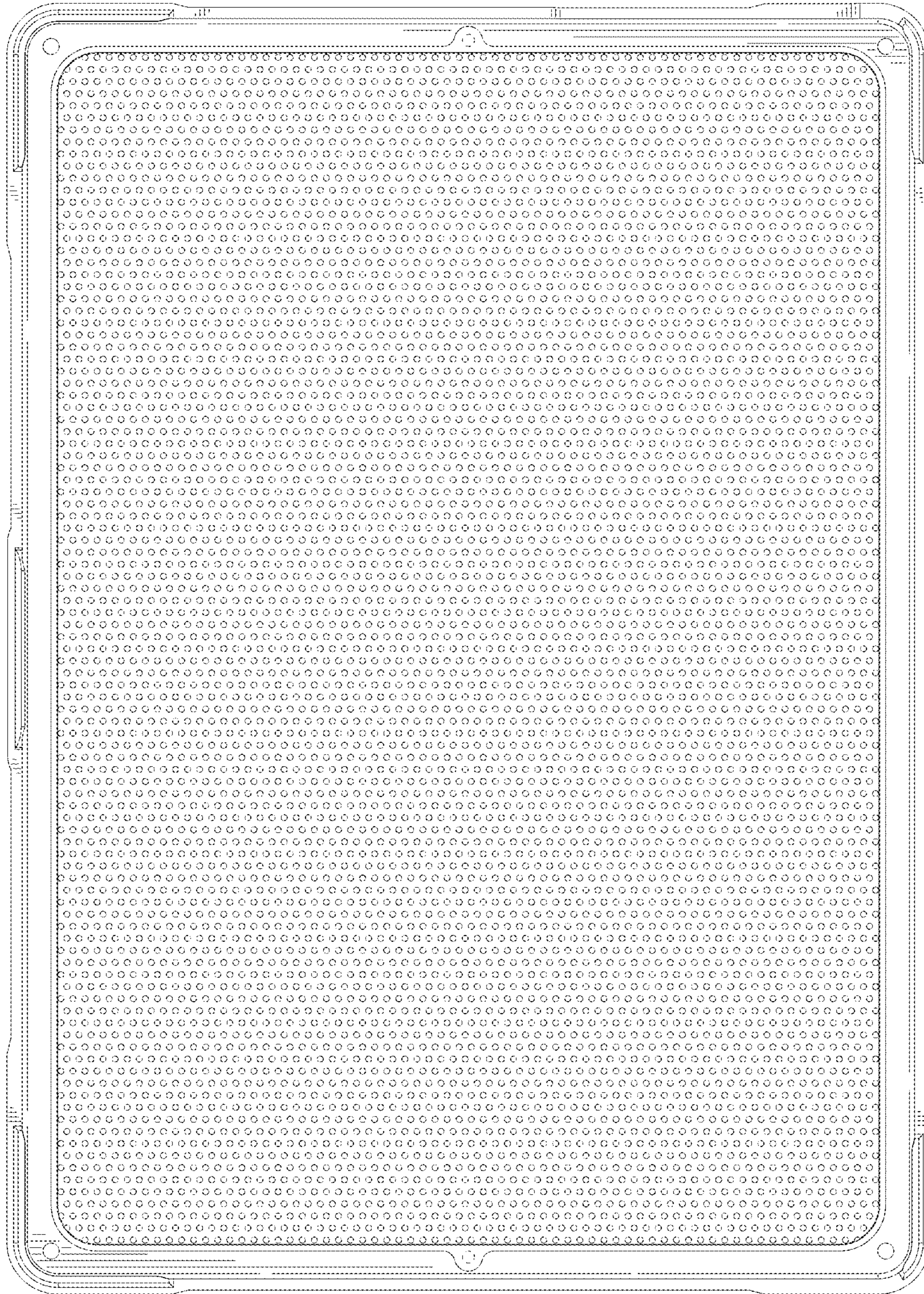


FIG. 17

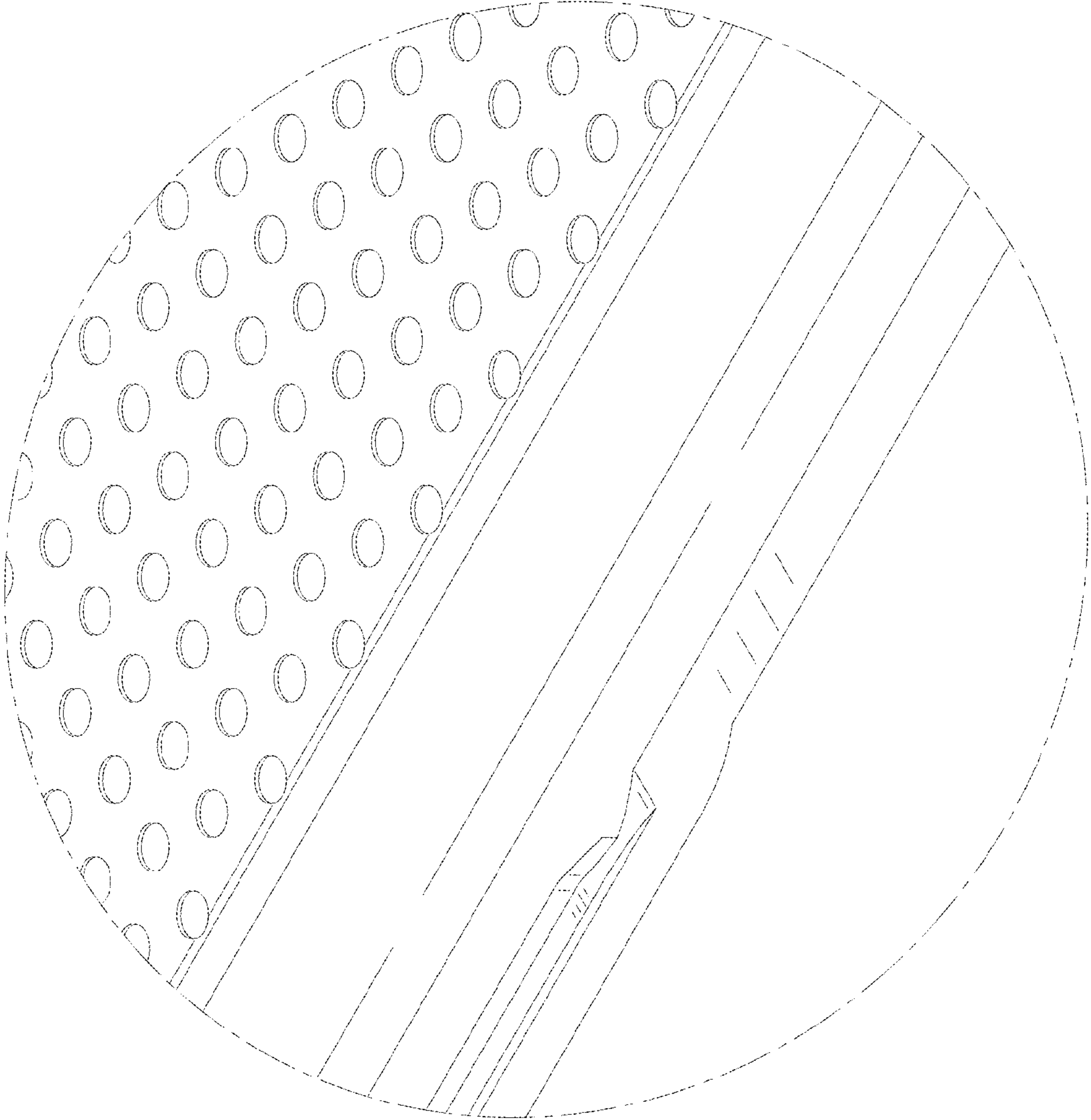


FIG. 18

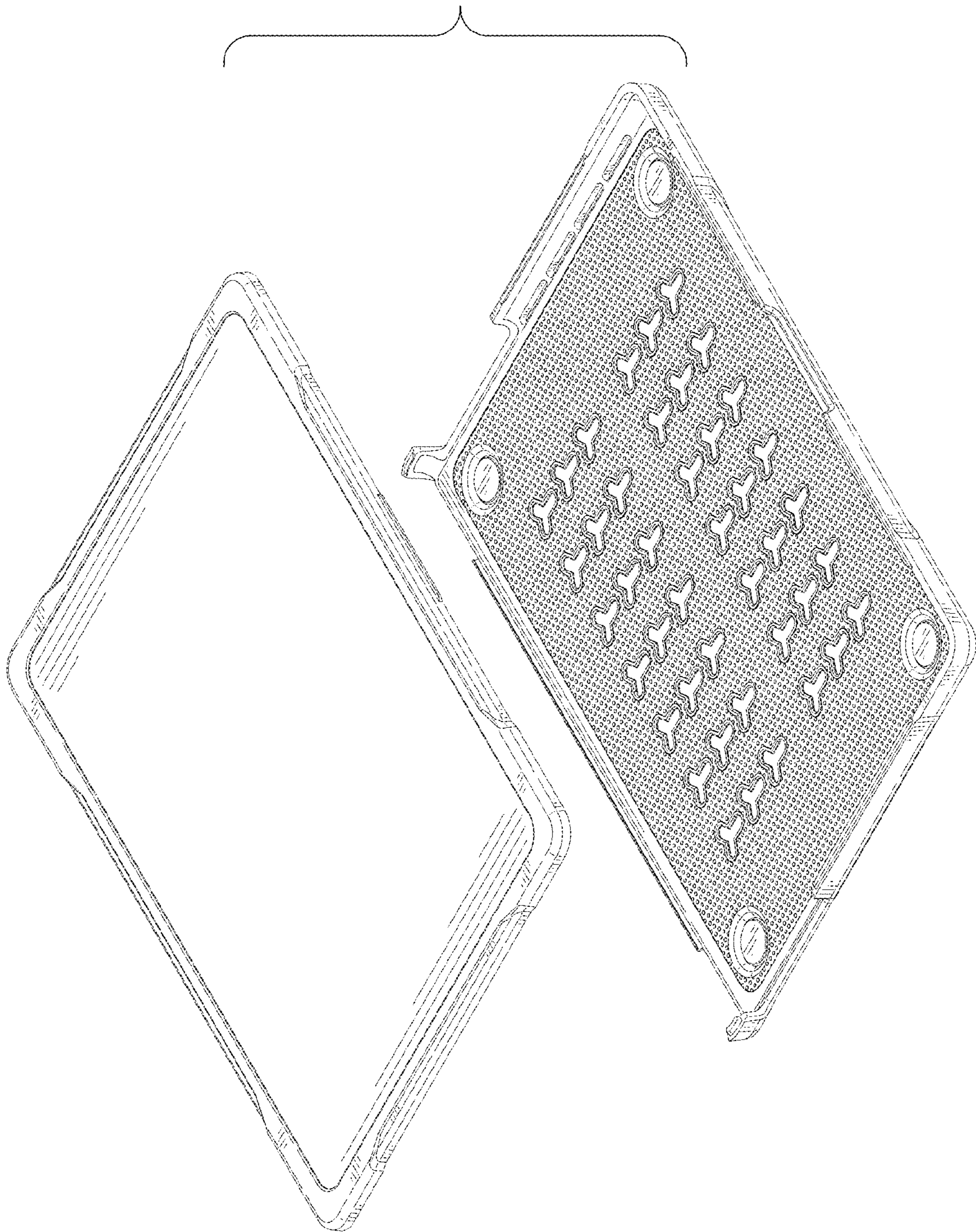


FIG. 19

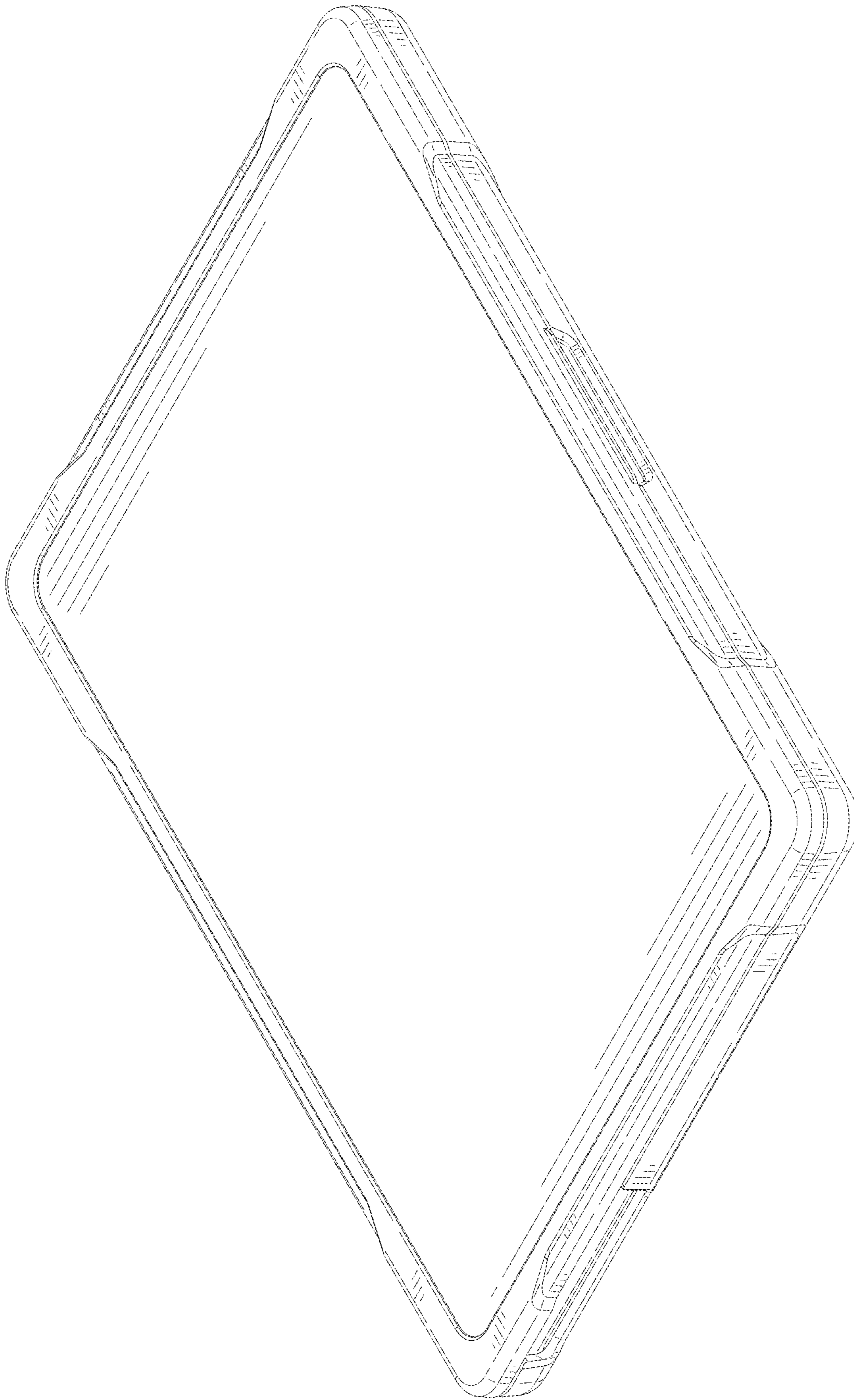


FIG. 20