



US00D988325S

(12) **United States Design Patent** (10) **Patent No.:** **US D988,325 S**
Luo (45) **Date of Patent:** **** Jun. 6, 2023**

(54) **USB C ADAPTER**
(71) Applicant: **Chaoyang Luo**, Songzi (CN)
(72) Inventor: **Chaoyang Luo**, Songzi (CN)
(73) Assignee: **Chaoyang Luo**, Songzi (CN)
(**) Term: **15 Years**

D953,333 S * 5/2022 Zhang D14/433
D953,338 S * 5/2022 Zhang D14/433
D955,391 S * 6/2022 Li D14/433
D976,910 S * 1/2023 Luo D14/433
D976,911 S * 1/2023 Luo D14/433

FOREIGN PATENT DOCUMENTS

CN 304742462 * 7/2018
CN 306071616 * 9/2020

(21) Appl. No.: **29/836,956**
(22) Filed: **Apr. 29, 2022**
(51) **LOC (14) Cl.** **14-02**
(52) **U.S. Cl.**
USPC **D14/433**
(58) **Field of Classification Search**
USPC D14/356–358, 230, 432–438
CPC G08G 1/163; G07C 5/008; H01R 13/73;
H01R 13/62; H01R 13/02; G06F 3/038;
H04N 7/1675
See application file for complete search history.

OTHER PUBLICATIONS

CNN website, Best USB Hubs 2023, site visited Feb. 10, 2023,
<https://www.cnn.com/cnn-underscored/reviews/best-usb-c-hubs>.*

* cited by examiner

Primary Examiner — John R Yeh
(74) *Attorney, Agent, or Firm* — Nitin Kaushik

(57) **CLAIM**

The ornamental design for a USB C adapter, as shown and described.

(56) **References Cited**

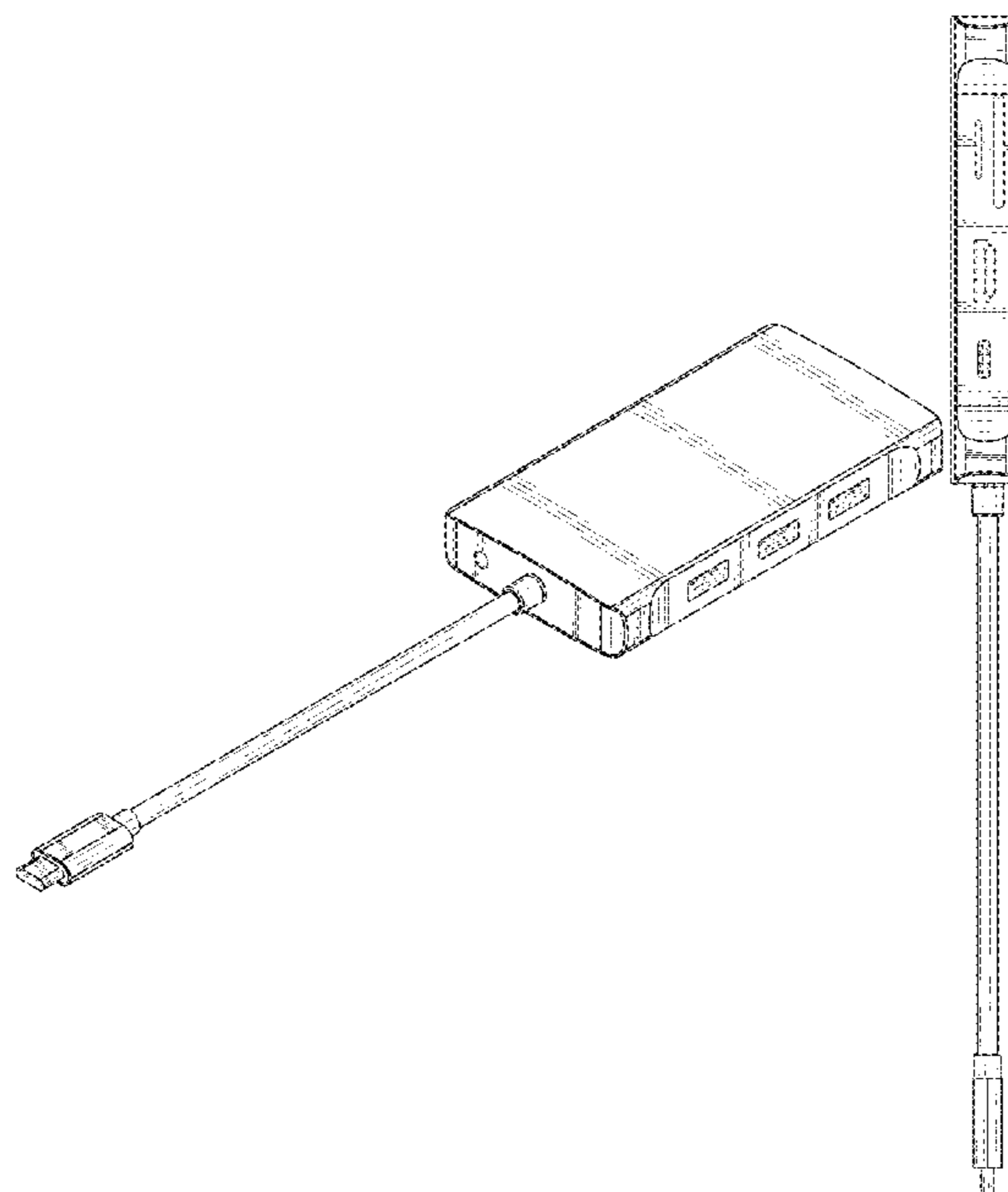
U.S. PATENT DOCUMENTS

D828,839 S * 9/2018 Zhang D14/433
D847,139 S * 4/2019 Wang D14/433
D853,397 S * 7/2019 Wang D14/435.1
D879,779 S * 3/2020 Liao D14/433
D886,825 S * 6/2020 Zhang D14/433
D889,470 S 7/2020 Zhang et al.
D892,801 S * 8/2020 Liu D14/433
D893,488 S * 8/2020 Liu D14/433
D894,828 S * 9/2020 Chen D14/434
D896,220 S * 9/2020 Wu D14/433
D900,108 S * 10/2020 Wu D14/433
D902,211 S * 11/2020 Jiang D14/433
D909,386 S * 2/2021 Turksu D14/433
D911,346 S * 2/2021 Turksu D14/433
D916,093 S * 4/2021 Liao D14/433

DESCRIPTION

FIG. 1 is a front perspective view of a USB C adapter, showing my new design;
FIG. 2 is a front view thereof;
FIG. 3 is a rear view thereof;
FIG. 4 is a left side view thereof;
FIG. 5 is a right side view thereof;
FIG. 6 is a top view thereof; and,
FIG. 7 is a bottom view thereof.
The broken lines in the drawings illustrate the portions of the USB C adapter, which form no part of the claimed design.

1 Claim, 7 Drawing Sheets



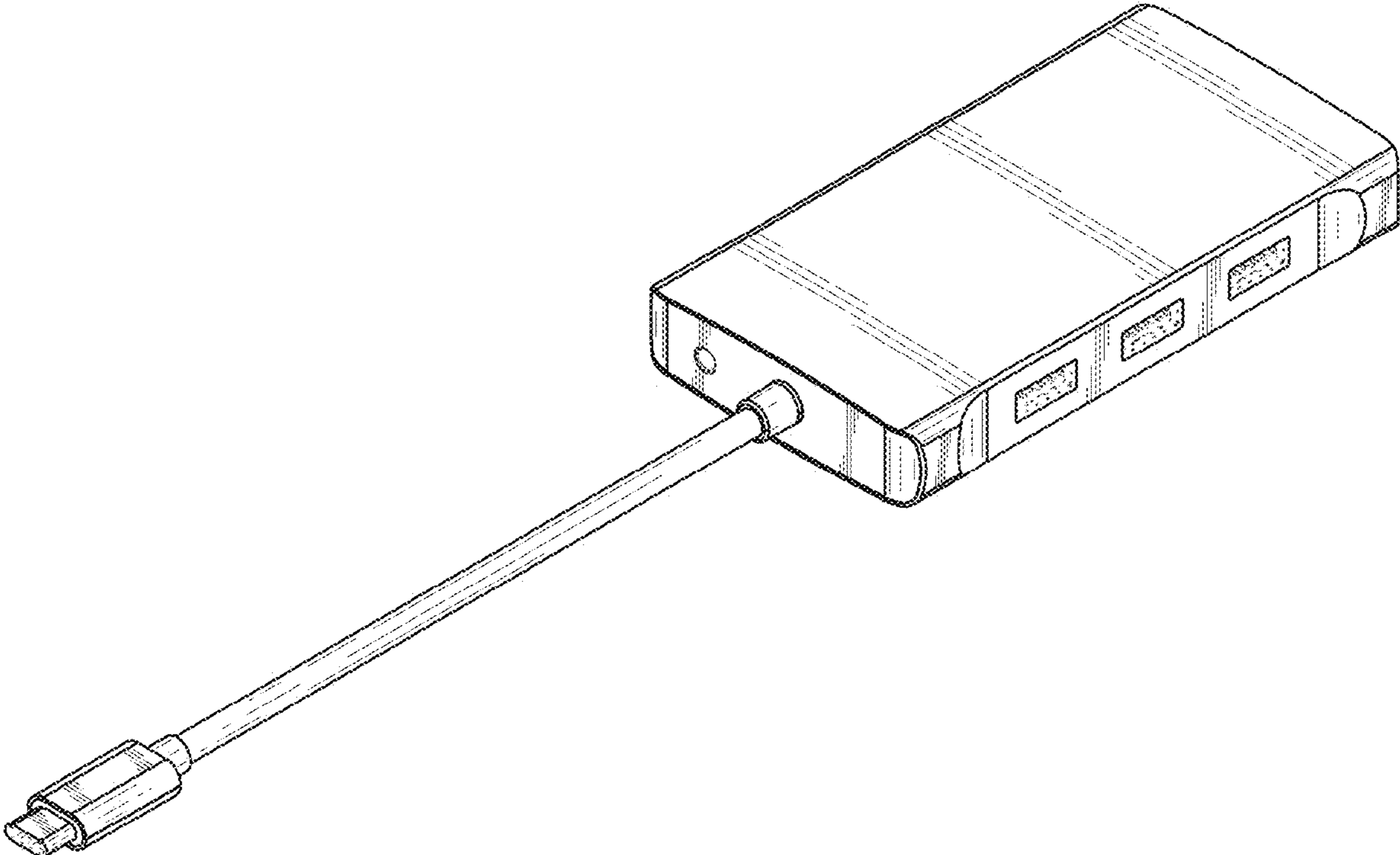


FIG. 1

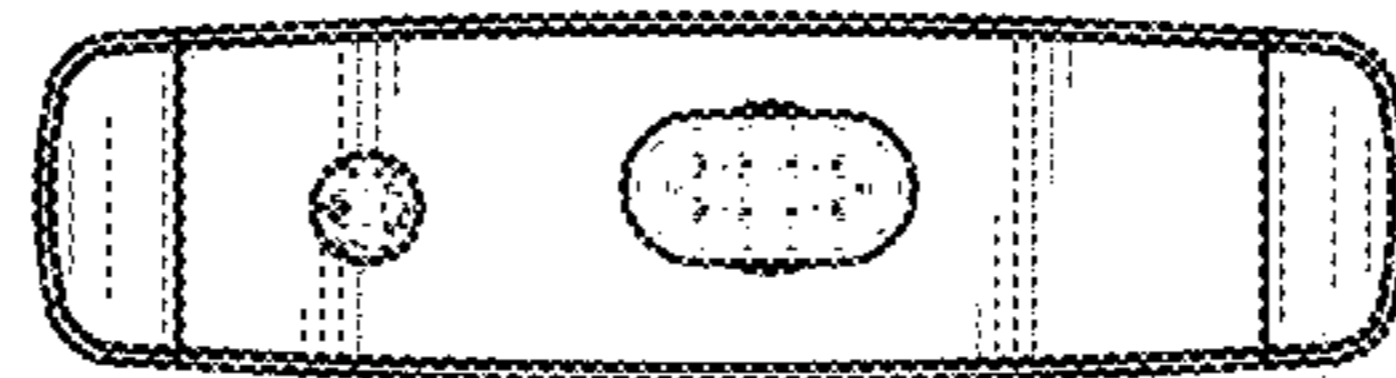


FIG. 2

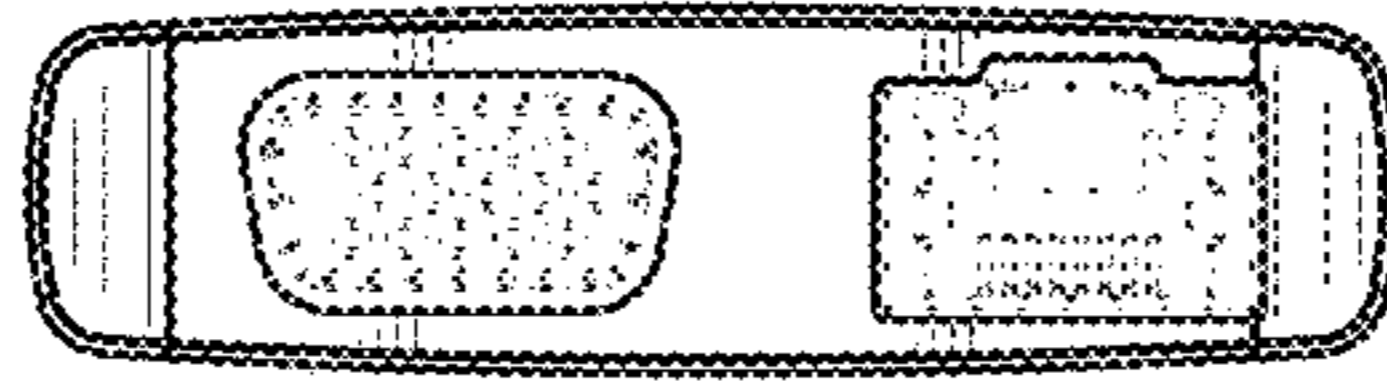


FIG. 3

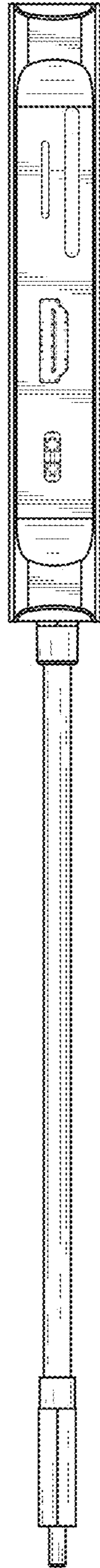


FIG. 4

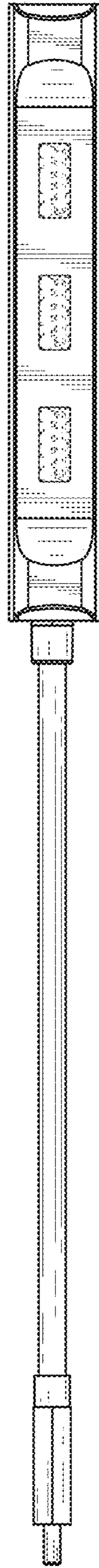


FIG. 5

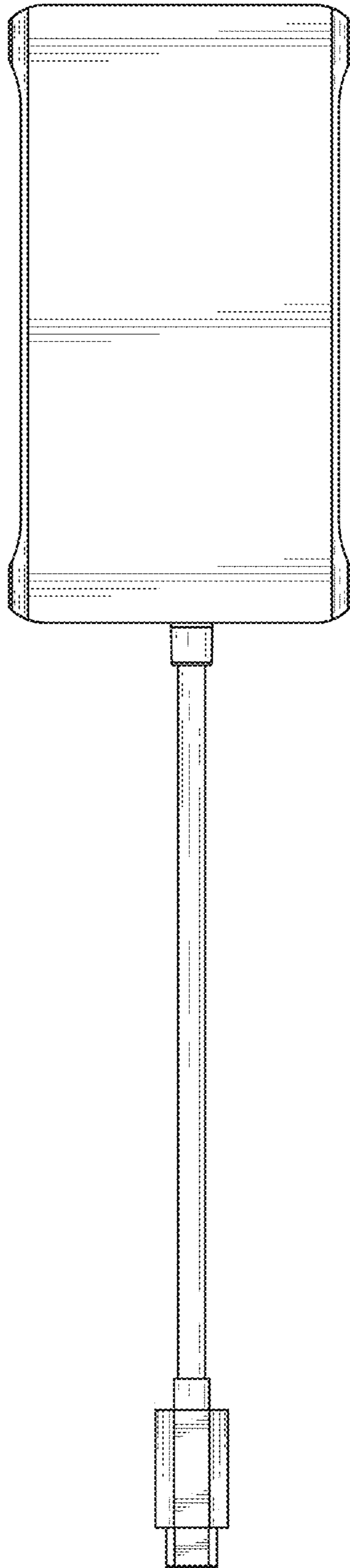


FIG. 6

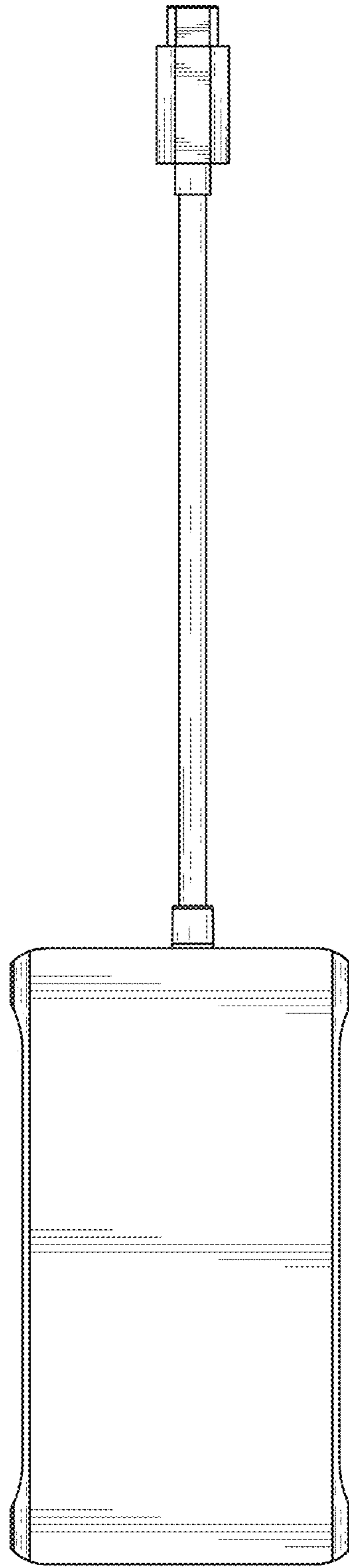


FIG. 7