



US00D988322S

(12) **United States Design Patent**
Huang

(10) **Patent No.:** **US D988,322 S**
(45) **Date of Patent:** **** Jun. 6, 2023**

(54) **MOUSE**
(71) Applicant: **Shenzhen HuMaoGe Technology Co., Ltd.**, Shenzhen (CN)
(72) Inventor: **Jiongfán Huang**, Yongding (CN)
(**) Term: **15 Years**

D903,680 S * 12/2020 Xu D14/410
D908,698 S * 1/2021 Chong D14/402
D920,977 S * 6/2021 Chong D14/409
D923,007 S 6/2021 Depay et al.
D940,141 S * 1/2022 Twohig D14/402
D954,054 S * 6/2022 Huang D14/402
2005/0225531 A1* 10/2005 Cheng G06F 3/03543
345/163

(Continued)

(21) Appl. No.: **29/839,705**
(22) Filed: **May 24, 2022**

FOREIGN PATENT DOCUMENTS

CN 307532116 * 9/2022

(30) **Foreign Application Priority Data**

May 10, 2022 (CN) 202230270907.5

(51) **LOC (14) Cl.** **14-02**
(52) **U.S. Cl.**

USPC **D14/410**

(58) **Field of Classification Search**

USPC D14/402-410
CPC G06F 3/0383; G06F 3/017; H04W 4/80
See application file for complete search history.

OTHER PUBLICATIONS

Gaming Mouse, AliExpress website 2023, site visited Jan. 28, 2023, https://www.aliexpress.us/item/3256803426848055.html?gatewayAdapt=glo2usa4itemAdapt&_randl_shipto=US.*

Primary Examiner — John R Yeh

(74) *Attorney, Agent, or Firm* — Rumit Ranjit Kanakia

(57) **CLAIM**

The ornamental design for a mouse, as shown and described.

(56) **References Cited**

U.S. PATENT DOCUMENTS

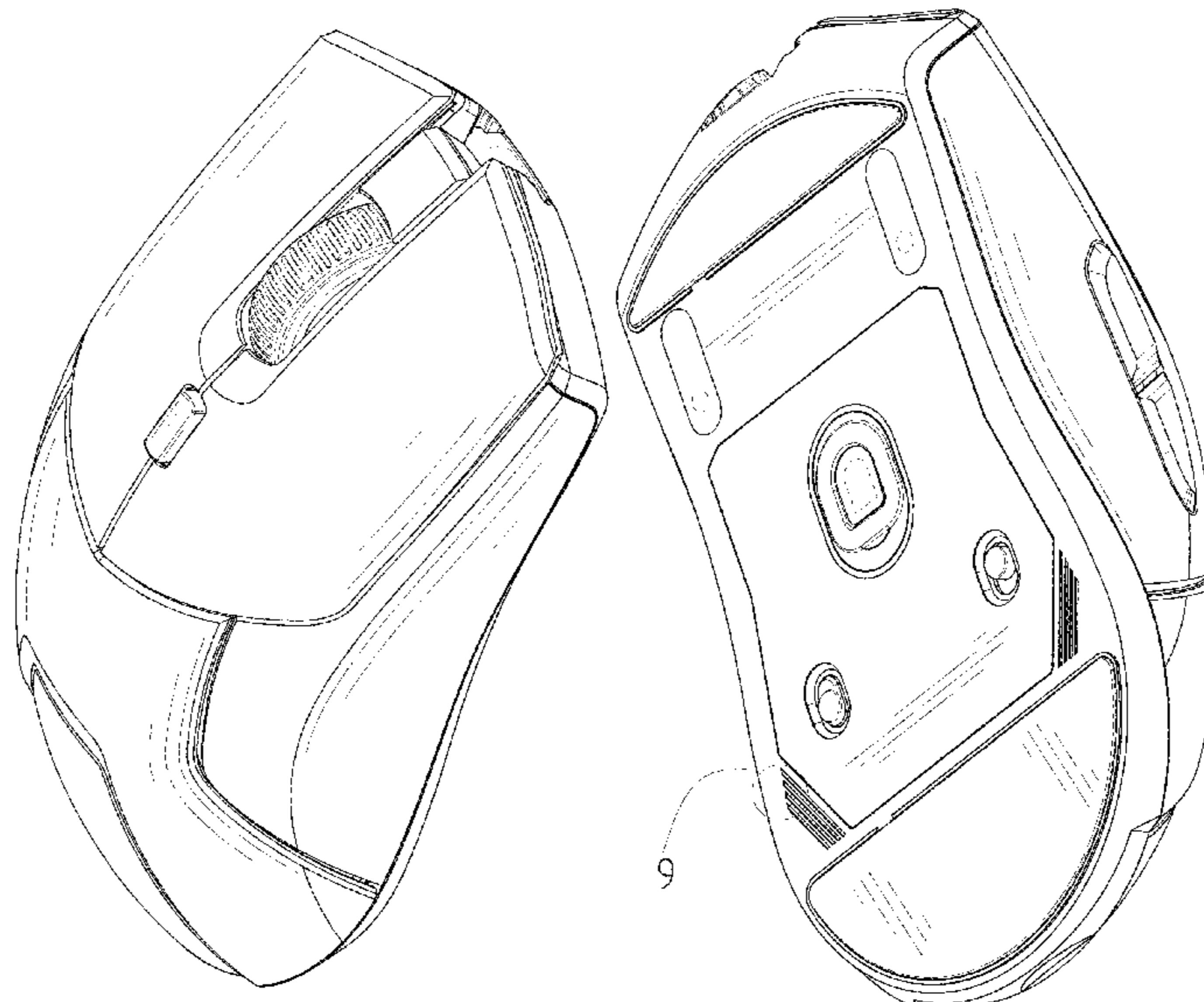
D331,231 S * 11/1992 Yang D14/410
D558,205 S * 12/2007 Huang D14/408
D562,820 S * 2/2008 Fisher D14/408
D615,979 S * 5/2010 Wang D14/408
D680,113 S * 4/2013 Li D14/409
D711,380 S * 8/2014 Urban D14/410
D768,633 S * 10/2016 Helwig G06F 3/03543
D14/402
D771,046 S * 11/2016 Jost D14/410
D820,843 S * 6/2018 Lu D14/402
D821,400 S * 6/2018 Pang D14/409
D844,000 S * 3/2019 Lee D14/410
D845,300 S * 4/2019 Chong D14/410
D852,193 S * 6/2019 Chou D14/410
D890,179 S 7/2020 Xu
D897,340 S * 9/2020 Xu D14/408
D900,822 S 11/2020 Lee et al.

DESCRIPTION

FIG. 1 is a first perspective view of a mouse showing my new design;
FIG. 2 is a second perspective view thereof;
FIG. 3 is a front view thereof;
FIG. 4 is a back view thereof;
FIG. 5 is a left side view thereof;
FIG. 6 is a right side view thereof;
FIG. 7 is a top view thereof;
FIG. 8 is a bottom view thereof; and,
FIG. 9 is an enlarged view of the selected portion 9 in FIG. 2.

The broken lines shown in the drawings depict portions of the mouse that form no part of the claimed design.

1 Claim, 9 Drawing Sheets



(56)

References Cited

U.S. PATENT DOCUMENTS

2021/0141468 A1* 5/2021 Lee G06F 3/0383

* cited by examiner

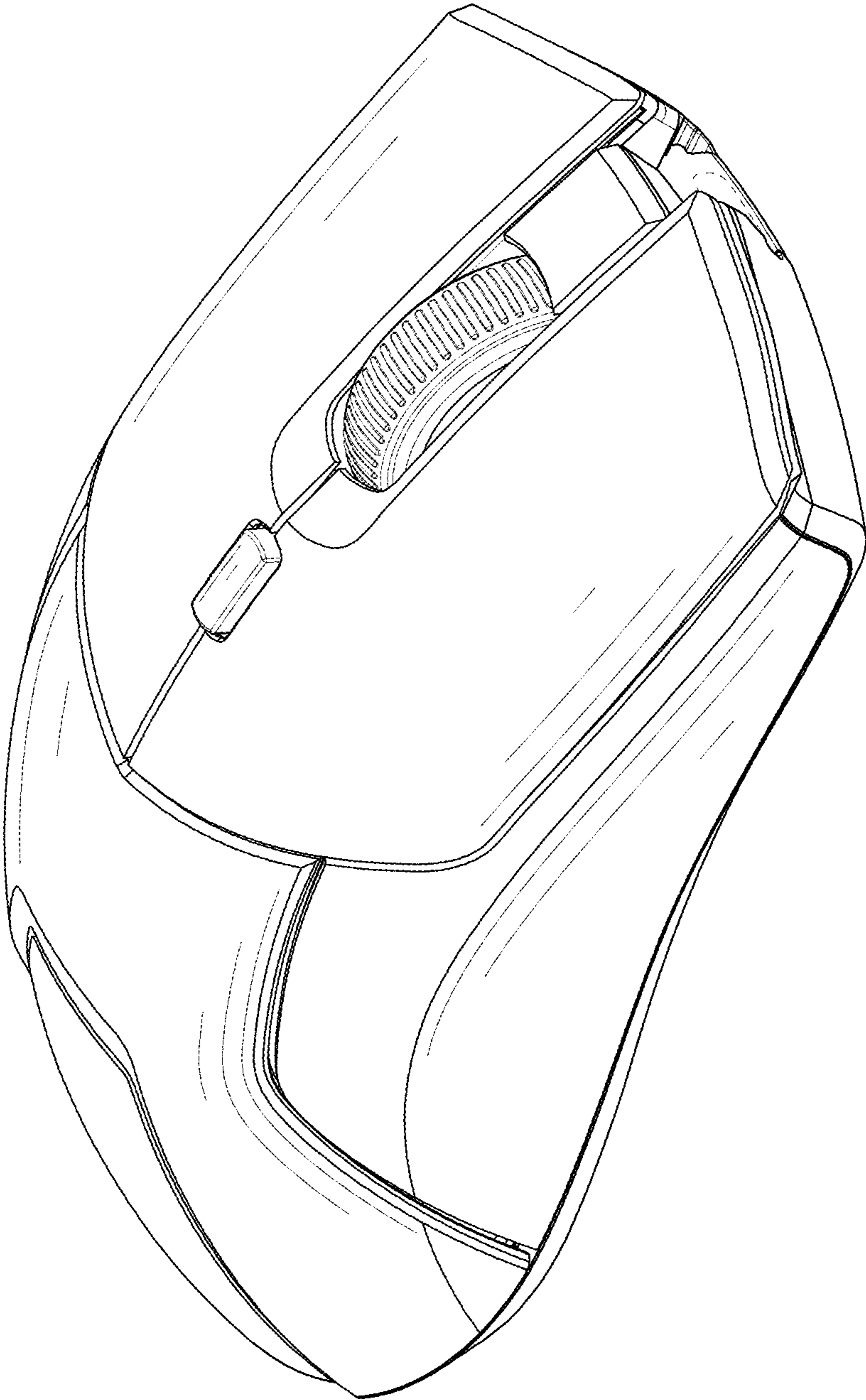


FIG. 1

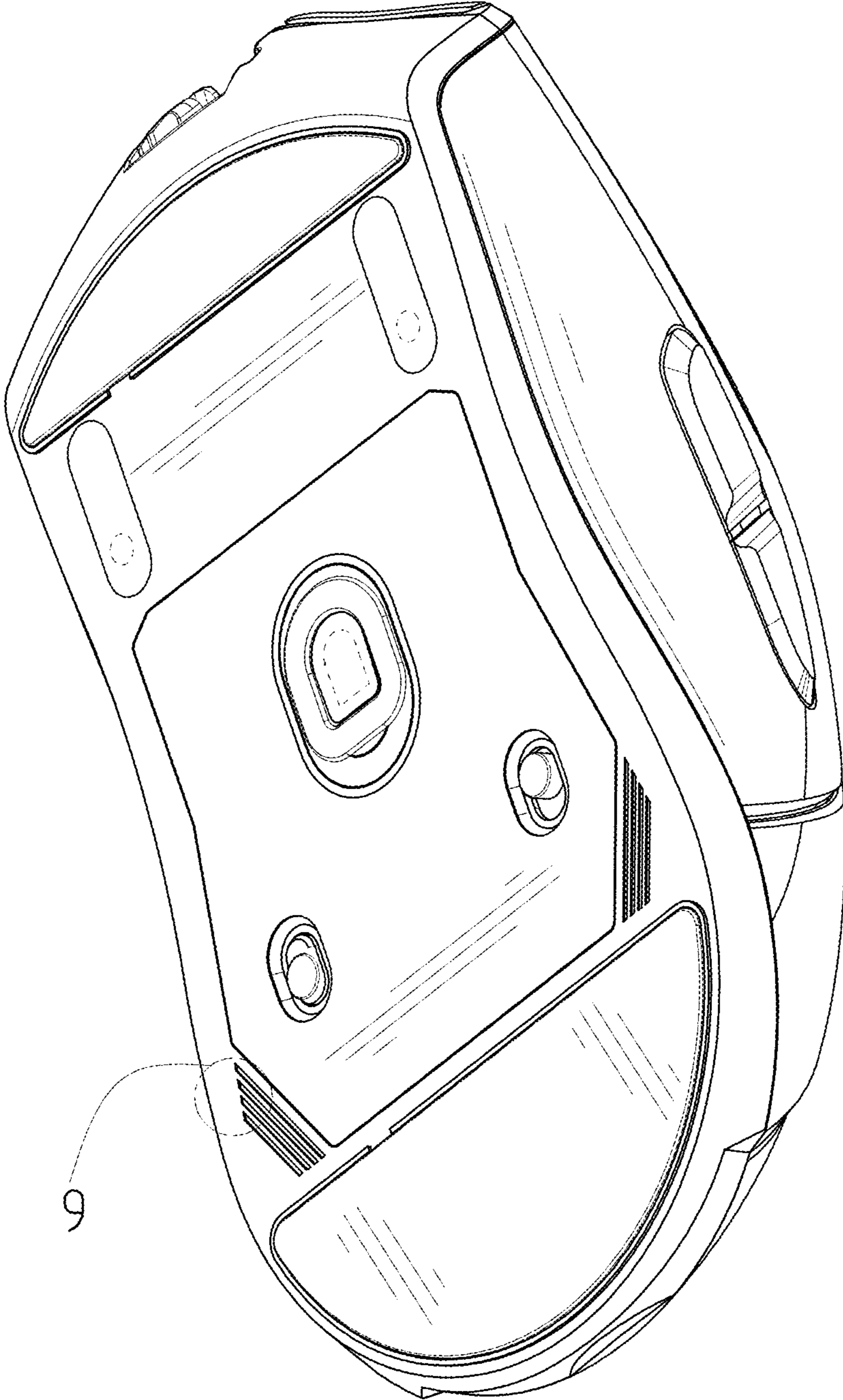


FIG. 2

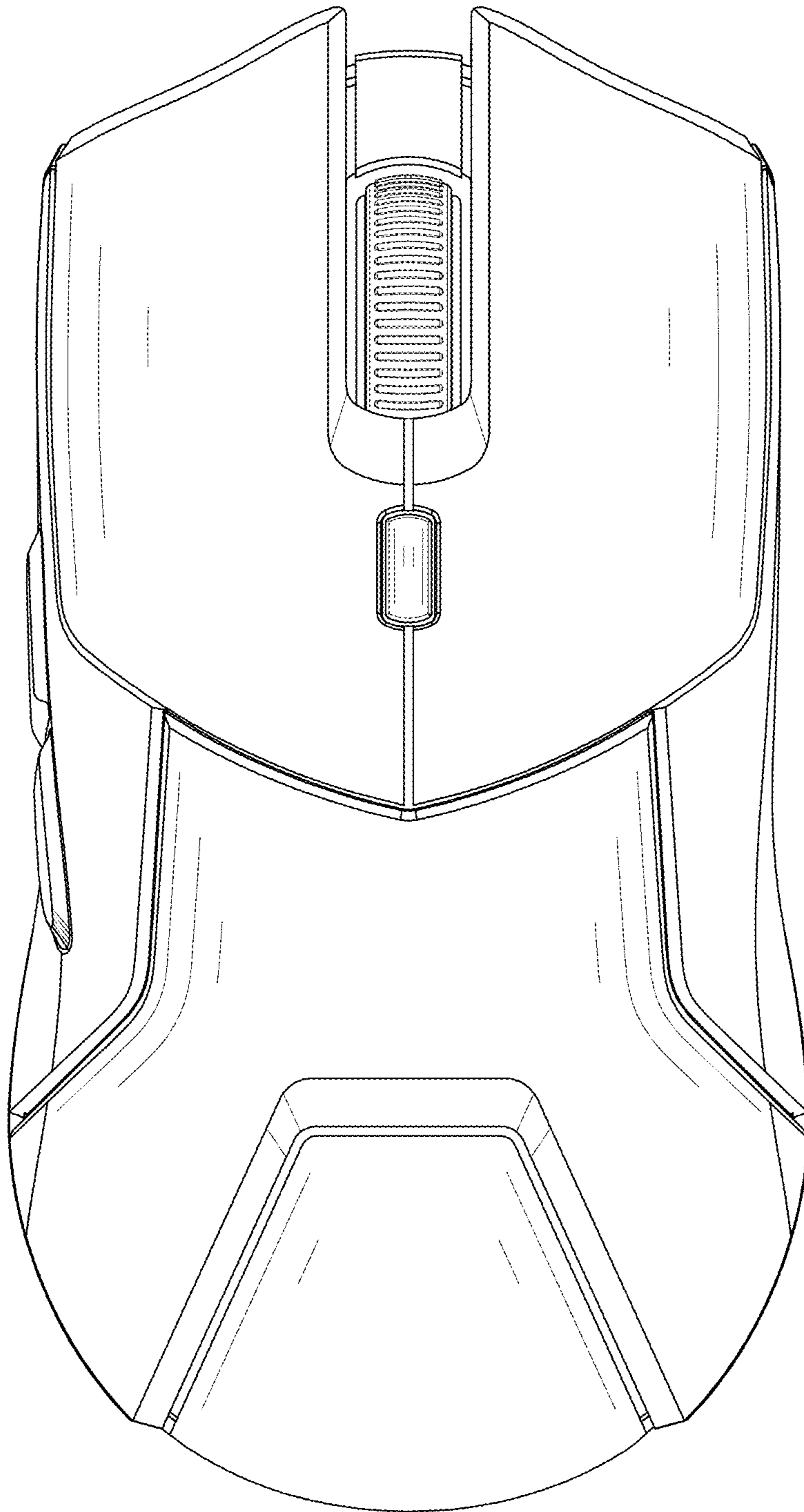


FIG. 3

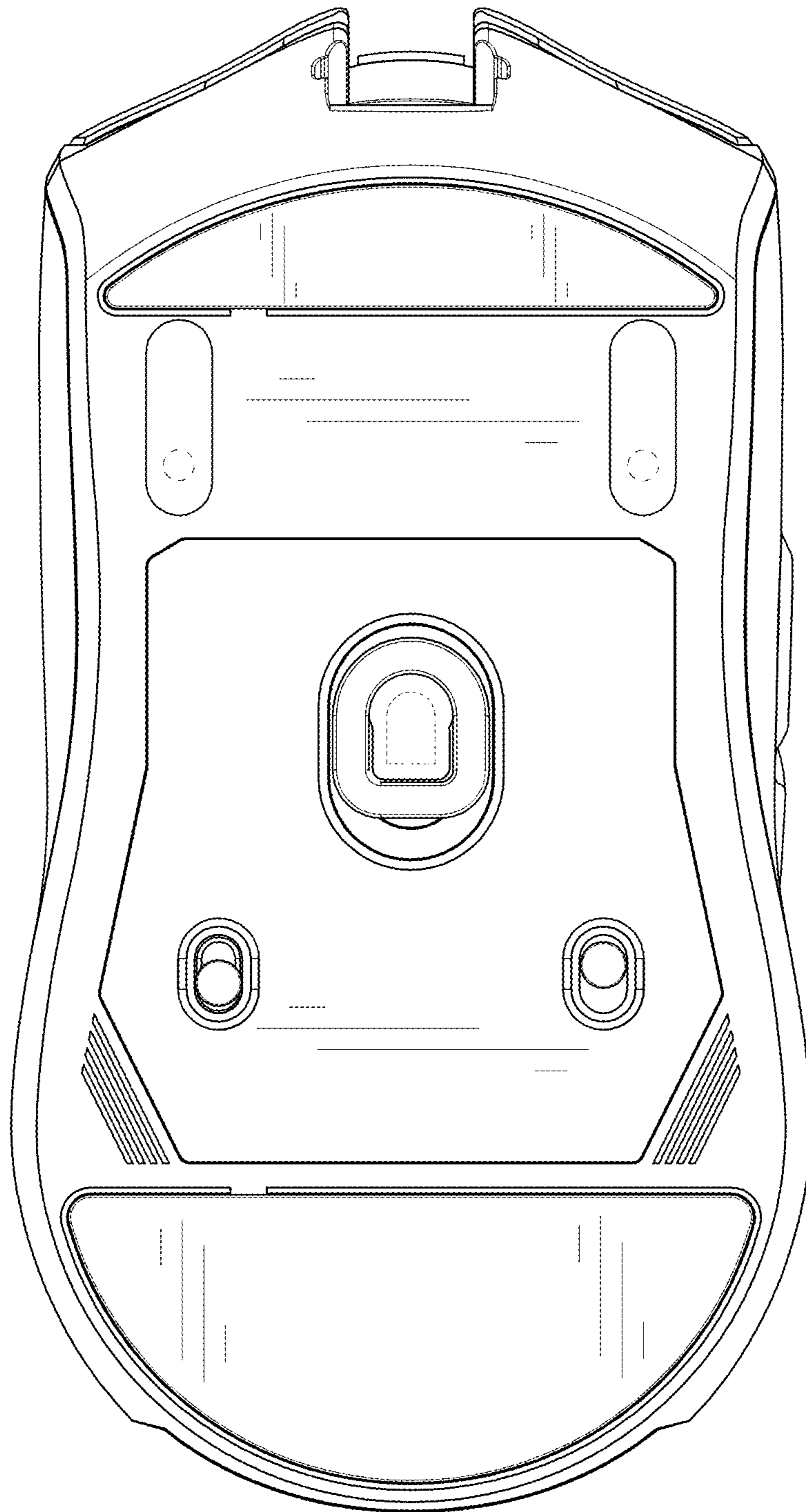


FIG. 4

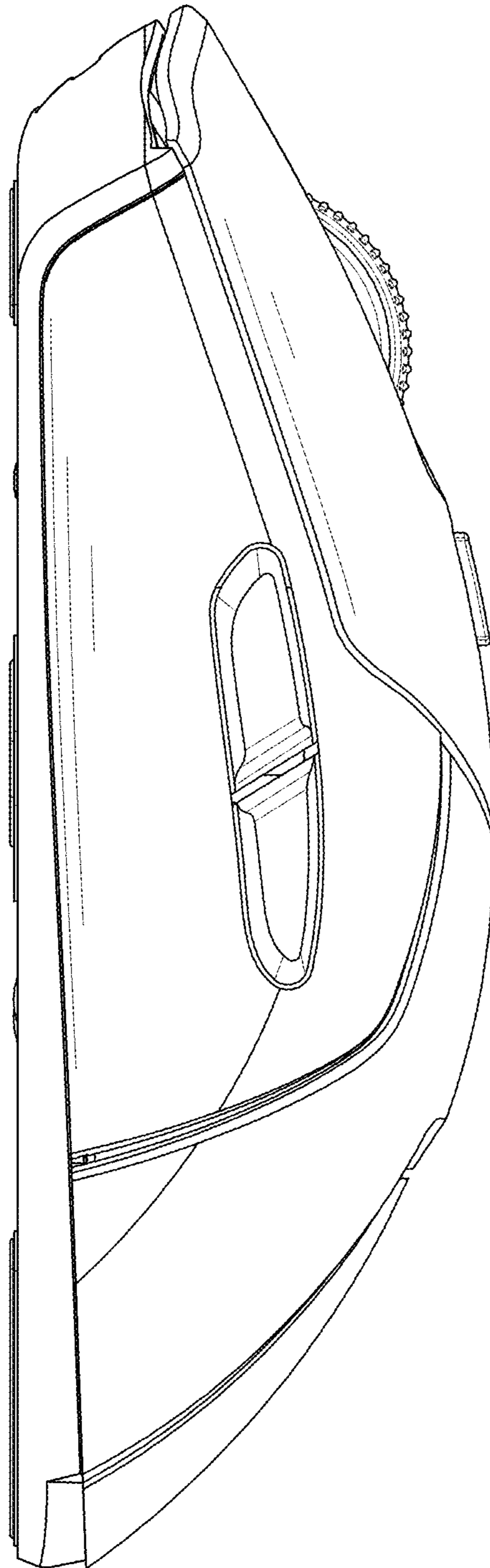


FIG. 5

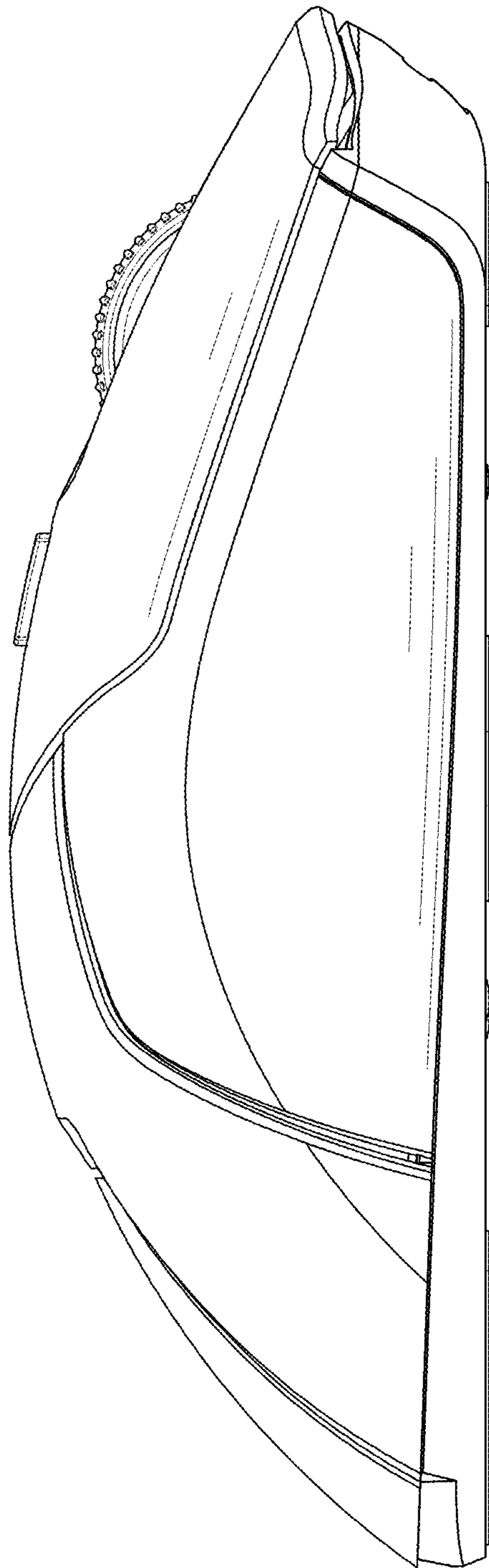


FIG. 6

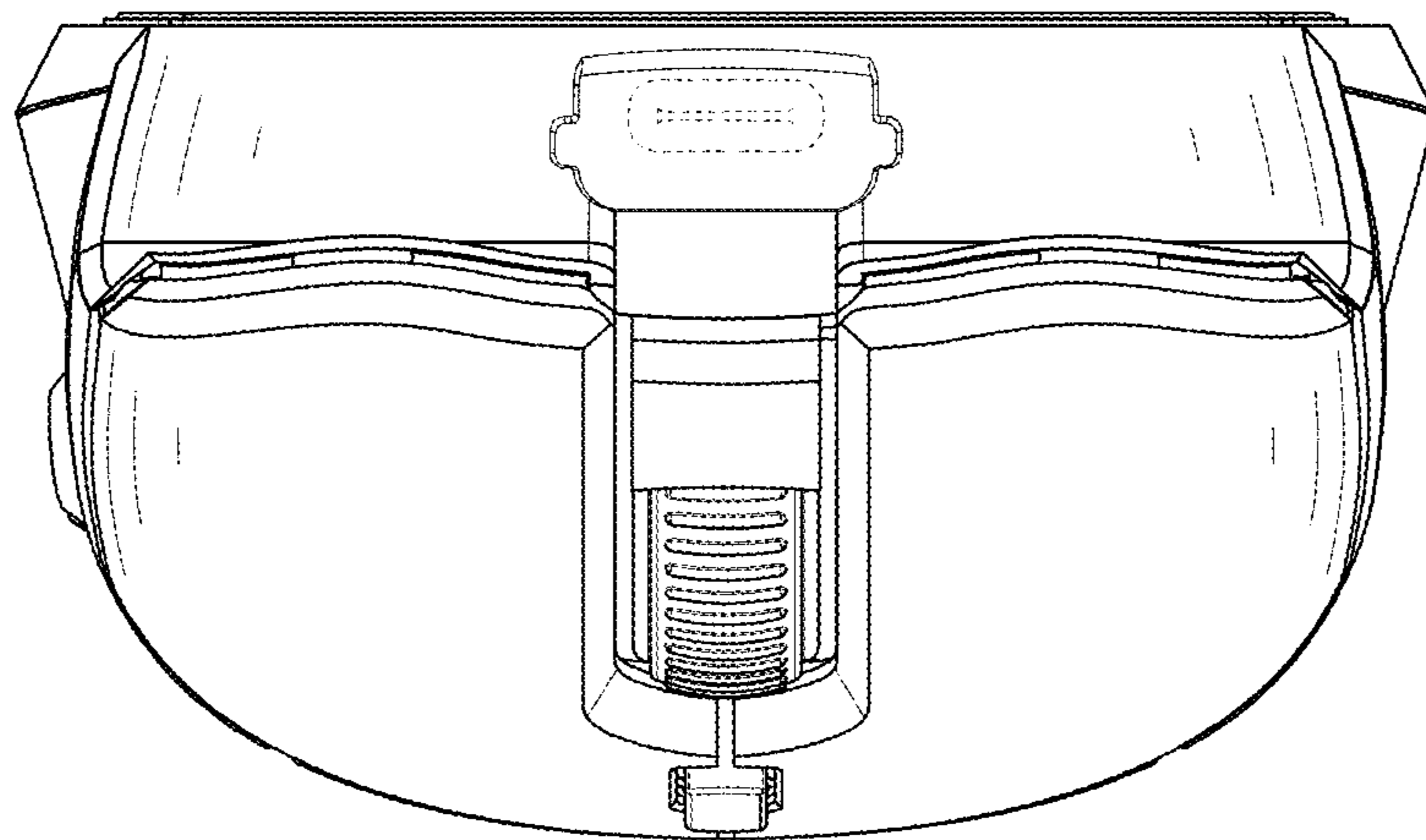


FIG. 7

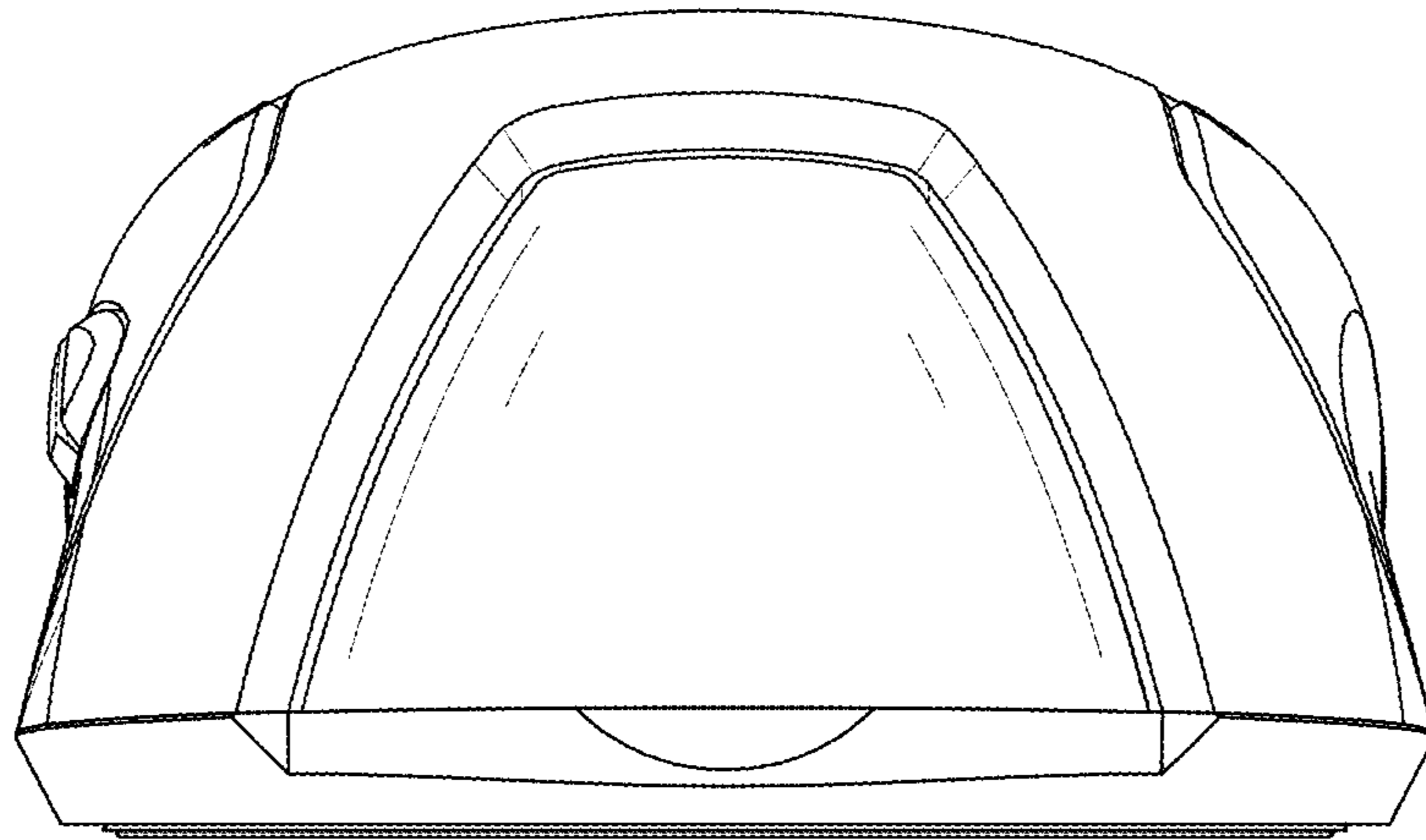


FIG. 8

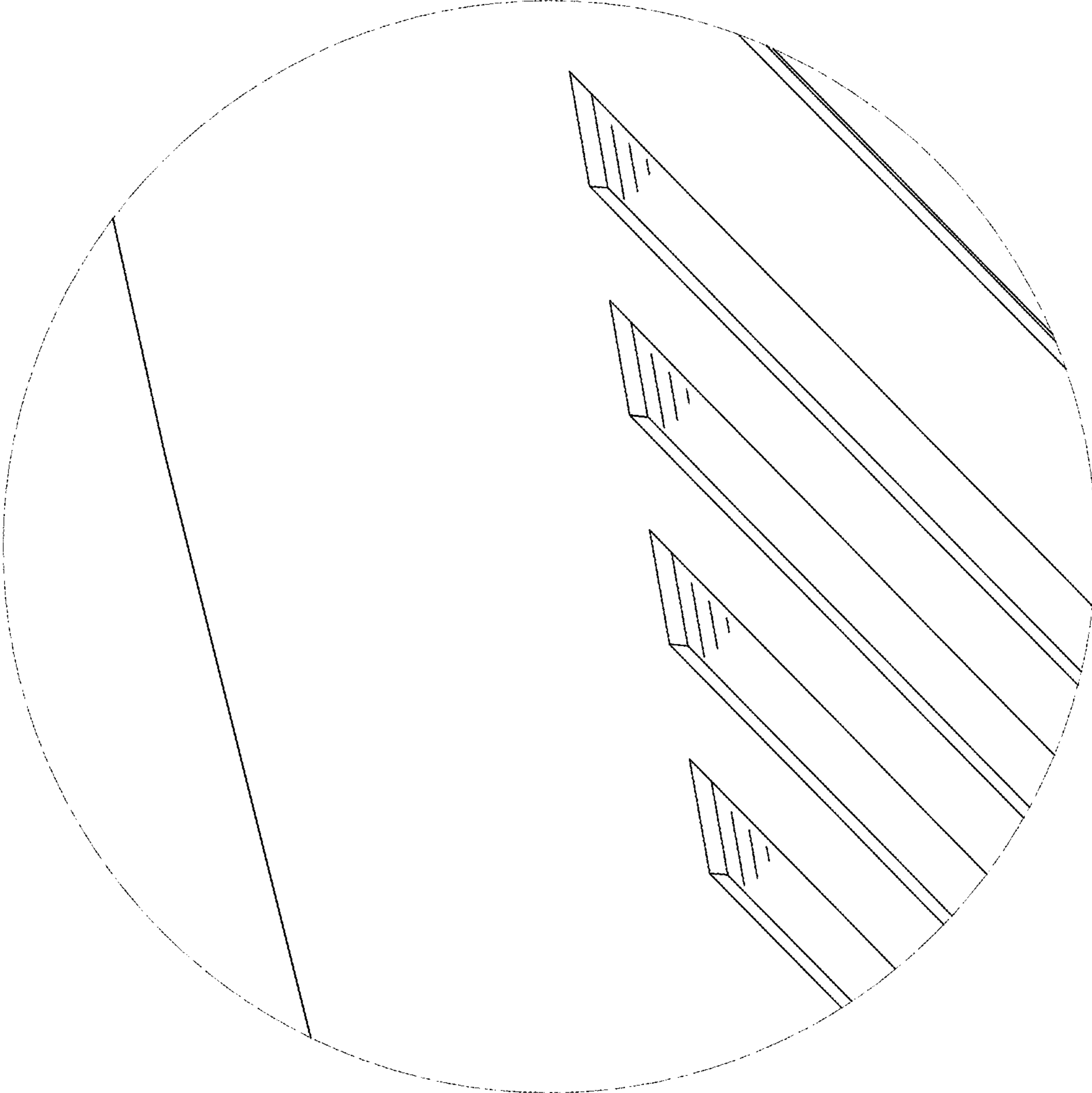


FIG. 9