



US00D988321S

(12) **United States Design Patent** (10) **Patent No.:** **US D988,321 S**
Fu (45) **Date of Patent:** **** Jun. 6, 2023**

(54) **JOYPAD**

(71) Applicant: **Bigwheat Technology LLC**, Houston, TX (US)

(72) Inventor: **Shiyi Fu**, Shenzhen (CN)

(73) Assignee: **Bigwheat Technology LLC**, Houston, TX (US)

(**) Term: **15 Years**

(21) Appl. No.: **29/825,955**

(22) Filed: **Feb. 8, 2022**

(51) **LOC (14) Cl.** **21-01**

(52) **U.S. Cl.**
USPC **D21/333**; D14/401

(58) **Field of Classification Search**
USPC D14/218, 203.3, 400-401, 496, 125;
D13/168; D21/233
CPC G06F 3/014; G06F 3/0202; A63F 13/24
See application file for complete search history.

(56) **References Cited**

U.S. PATENT DOCUMENTS

5,785,317	A	*	7/1998	Sasaki	A63F 13/24
						463/37
D462,722	S	*	9/2002	Naghi	D21/333
D463,505	S	*	9/2002	Furusato	D21/333
D467,922	S		12/2002	Lee		
D467,923	S		12/2002	Lim		
D538,859	S	*	3/2007	Riccomini	D14/401
D559,847	S	*	1/2008	Ashida	D21/333
D568,882	S	*	5/2008	Ashida	D21/333
D594,067	S	*	6/2009	Oikawa	D21/333
D666,679	S	*	9/2012	Ehara	D21/333
D702,684	S	*	4/2014	Huang	D14/401
D711,474	S	*	8/2014	Wikel	D14/401
D740,288	S	*	10/2015	O'Donnell, Sr.	D14/401
D740,369	S	*	10/2015	Cho	D21/333
D812,144	S	*	3/2018	Chandrasiri	D21/333
D815,211	S	*	4/2018	Buller	D21/333

D851,086	S	*	6/2019	Chen	D14/401
D870,207	S	*	12/2019	Ali	D21/333
D875,835	S	*	2/2020	Yamamoto	D21/333
D875,836	S	*	2/2020	Ehara	D21/333
D879,881	S	*	3/2020	Baud-Bovy	D21/333
D884,796	S	*	5/2020	Zhou	D14/401
D922,492	S	*	6/2021	Li	D21/333
D923,097	S	*	6/2021	Zhao	D21/333

(Continued)

FOREIGN PATENT DOCUMENTS

GB 6187148 * 1/2022

OTHER PUBLICATIONS

Bonacell Joypad Controller, Walmart review 2022, site visited Feb. 27, 2023, https://www.walmart.com/ip/Bonacell-Joypad-Controller-Nintendo-Switch-Compatible-Switch-Joycons-Controllers.*

(Continued)

Primary Examiner — John R Yeh

(74) *Attorney, Agent, or Firm* — Georgi Korobanov

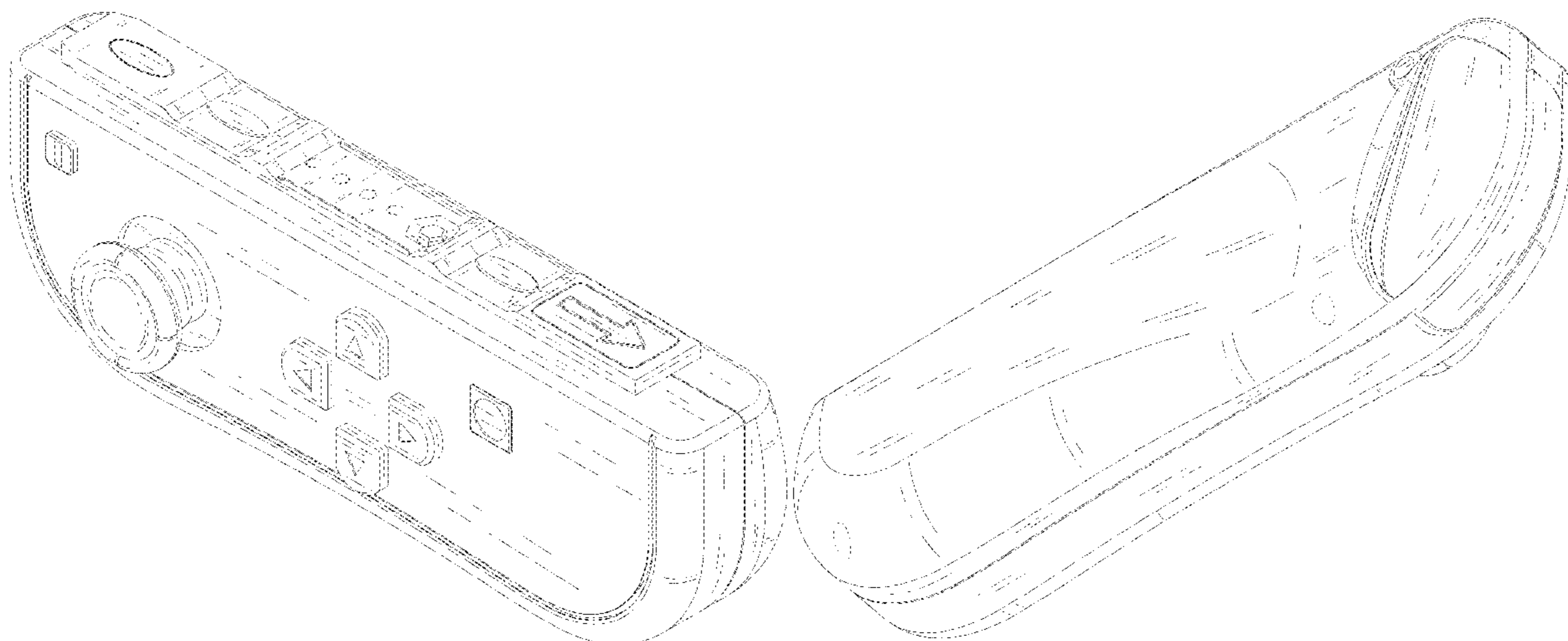
(57) **CLAIM**

The ornamental design for a joypad, as shown and described.

DESCRIPTION

FIG. 1 is a perspective view of a joypad, showing my new design;
FIG. 2 is another perspective view thereof;
FIG. 3 is a front view thereof;
FIG. 4 is a rear view thereof;
FIG. 5 is a left side view thereof;
FIG. 6 is a right side view thereof;
FIG. 7 is a top plan view thereof; and,
FIG. 8 is a bottom plan view thereof.
The broken lines shown in the drawings illustrate portions of the joypad that form no part of the claimed design.

1 Claim, 8 Drawing Sheets



(56)

References Cited

U.S. PATENT DOCUMENTS

D926,649 S * 8/2021 Wang D12/174
D931,940 S 9/2021 Yu
D935,460 S 11/2021 Zhu
2018/0099219 A1* 4/2018 Hope A63F 13/213
2021/0197080 A1* 7/2021 Su A63F 13/24

OTHER PUBLICATIONS

Dobe Joypad, Dobe website 2023, site visited Feb. 27, 2023,
<http://www.dobe-game.com/en/productshow-61-734.html>.*

* cited by examiner

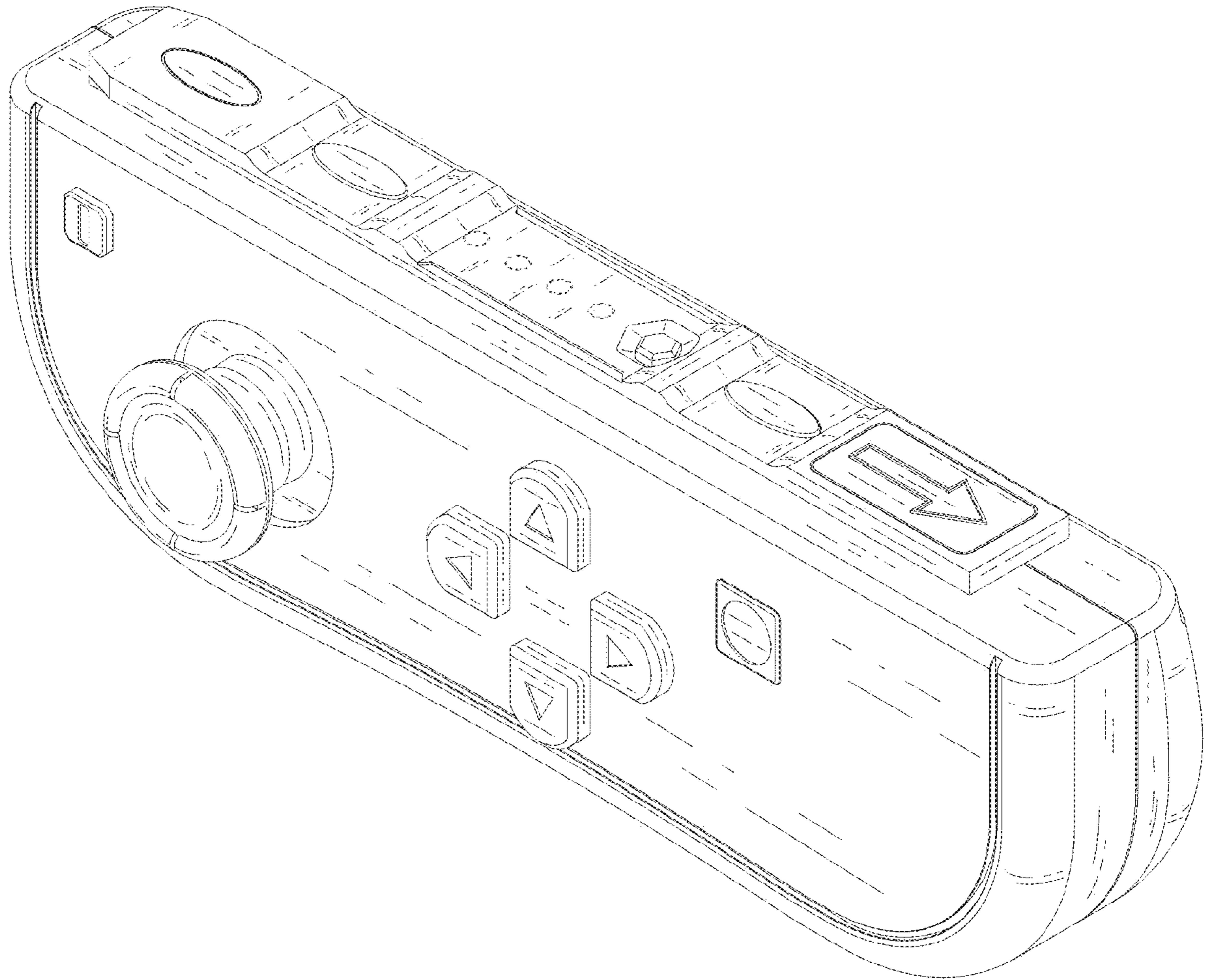


FIG. 1

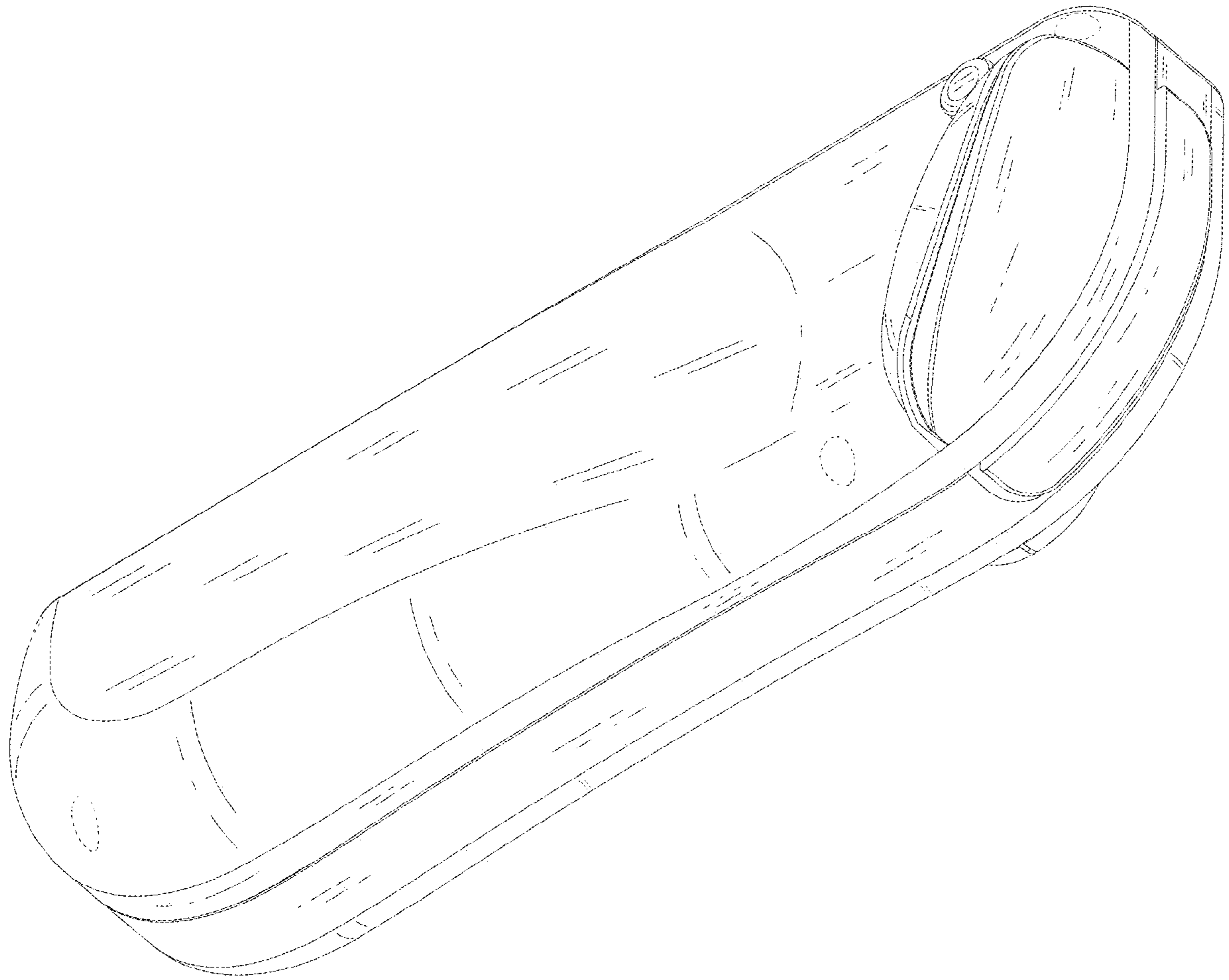


FIG. 2

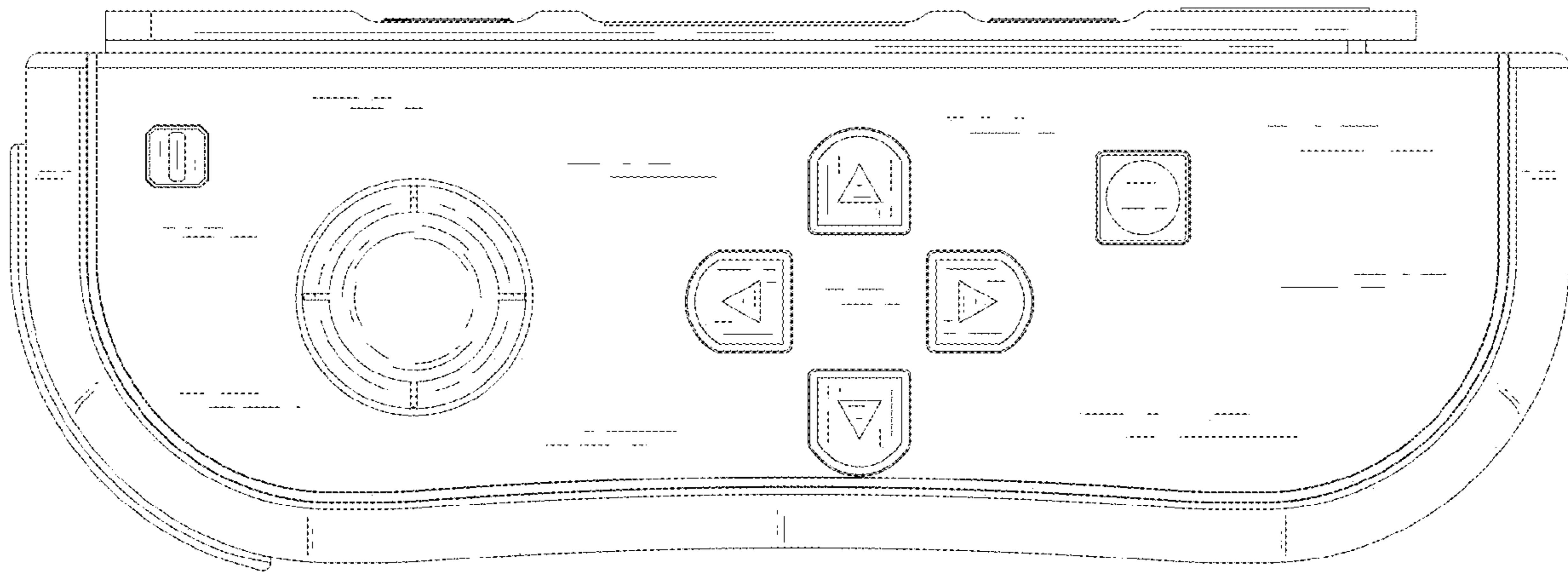


FIG. 3

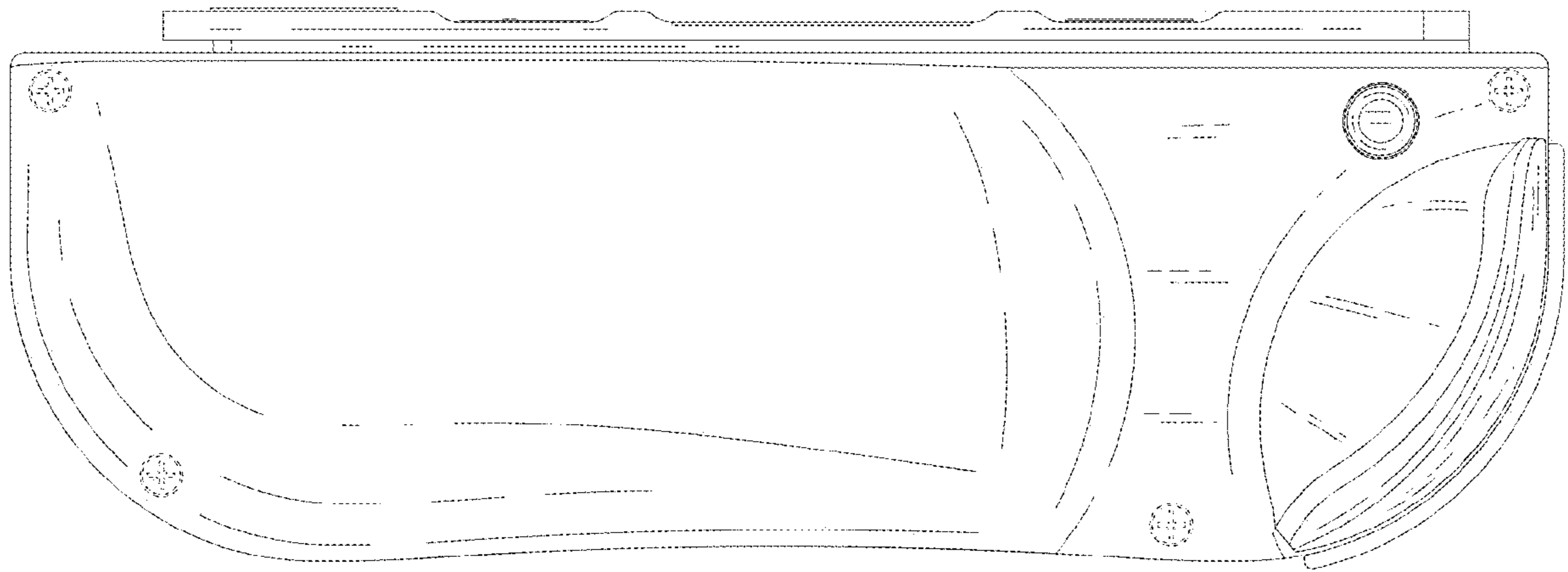


FIG. 4

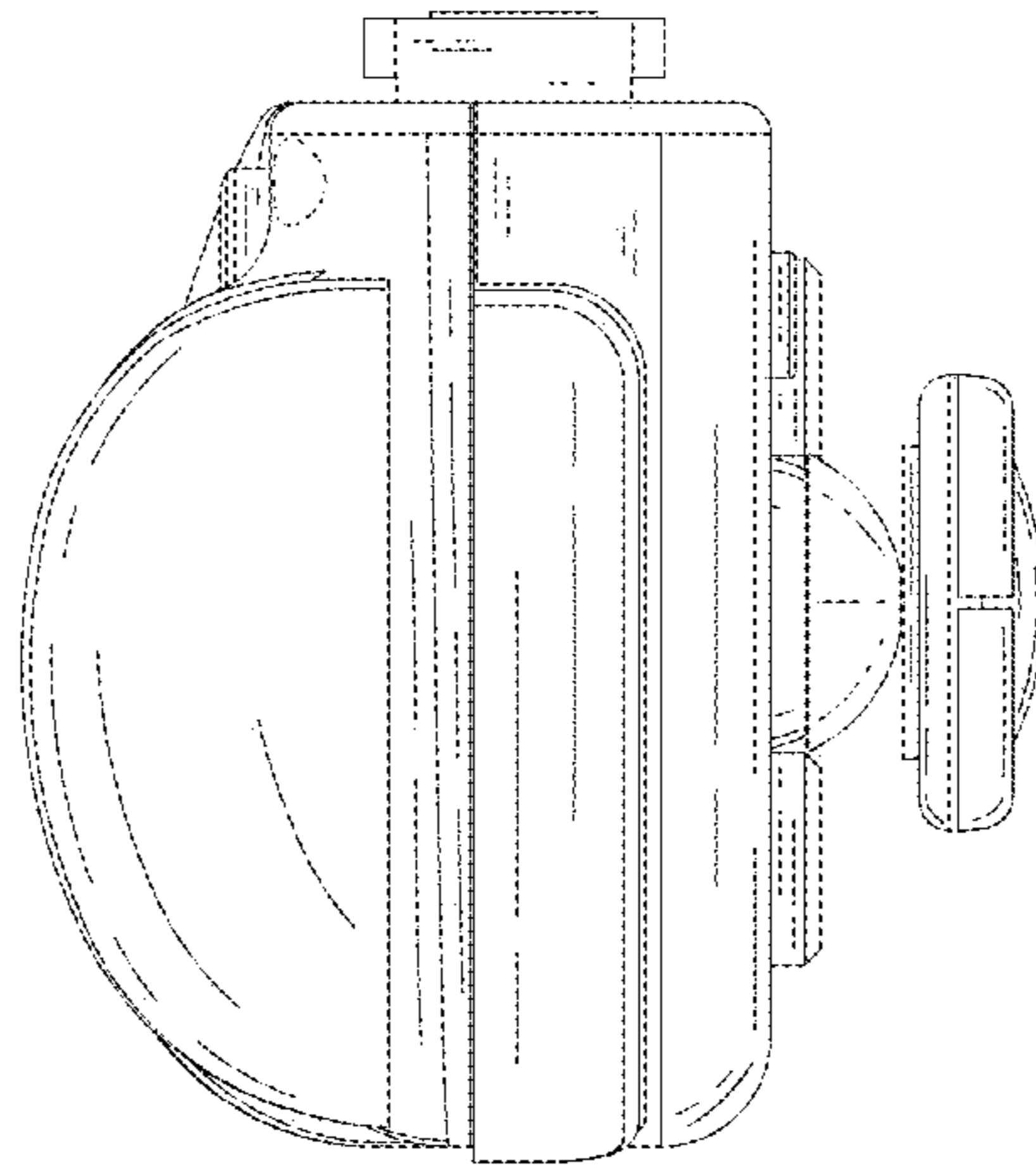


FIG. 5

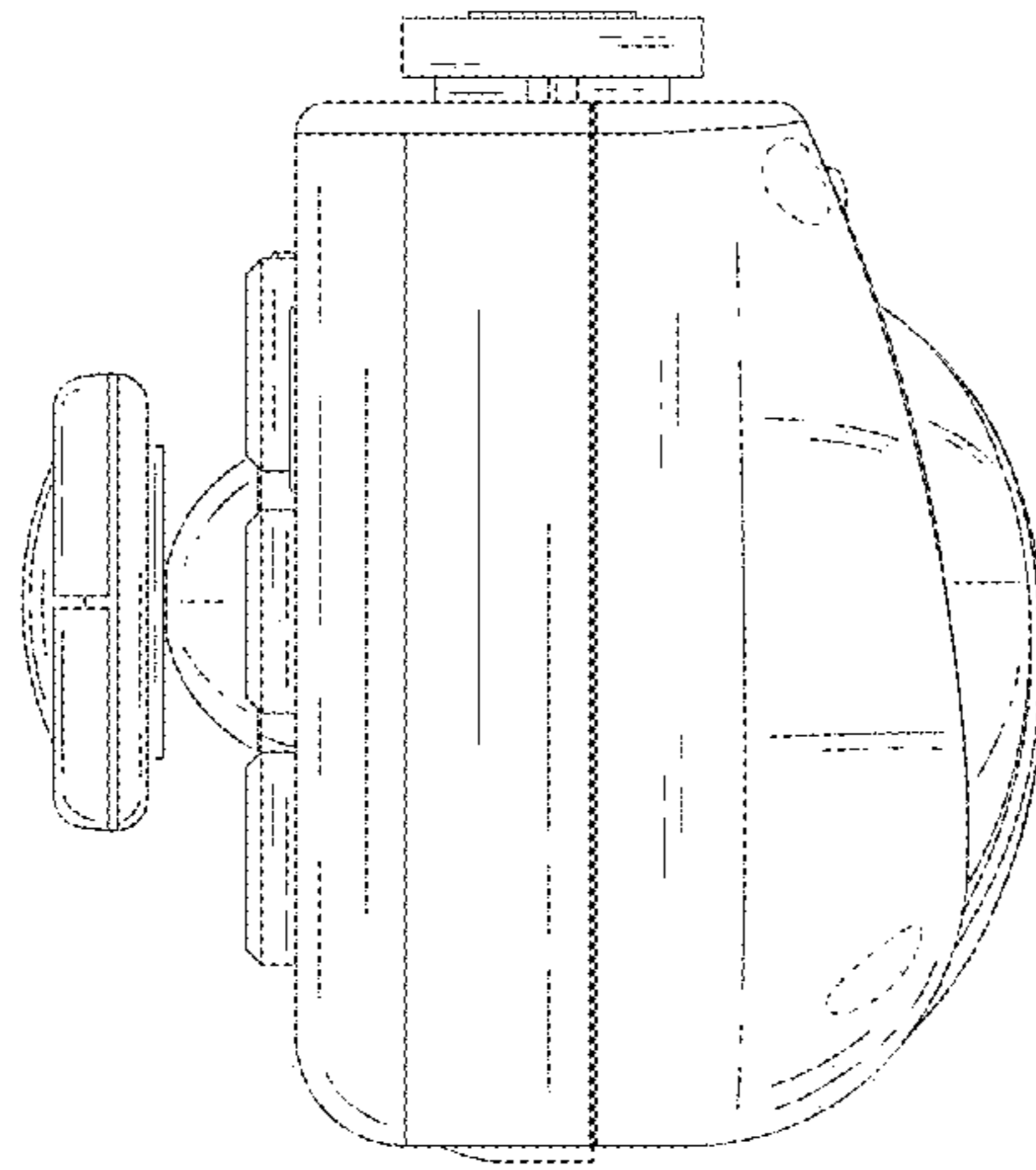


FIG. 6

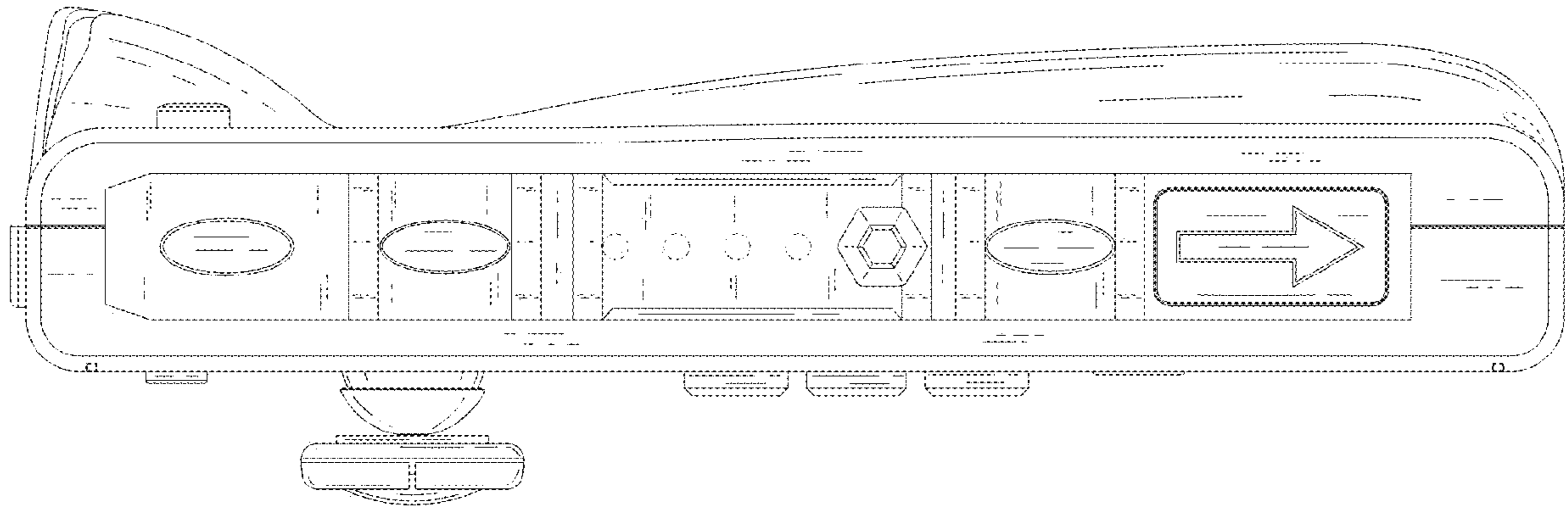


FIG. 7

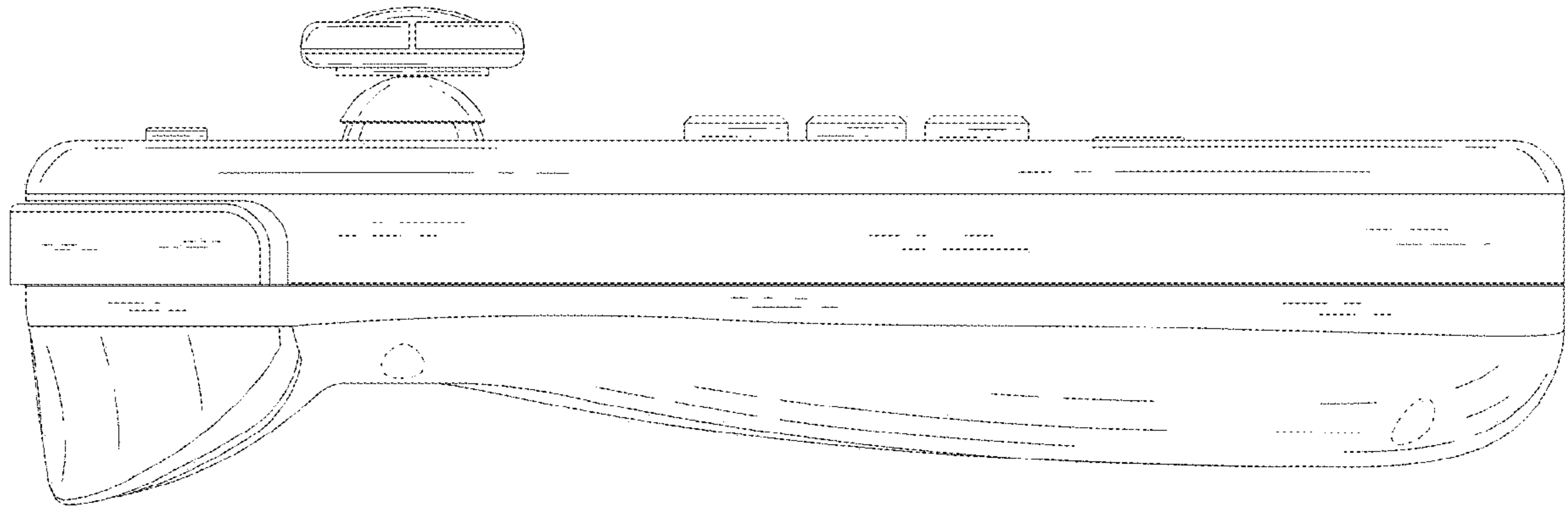


FIG. 8