



US00D988319S

(12) **United States Design Patent**
Kim et al.

(10) **Patent No.: US D988,319 S**
(45) **Date of Patent: ** Jun. 6, 2023**

- (54) **MONITOR FOR COMPUTER**
- (71) Applicant: **LG Electronics Inc.**, Seoul (KR)
- (72) Inventors: **Hyeongyeol Kim**, Seoul (KR);
Daihyung Ryu, Seoul (KR)
- (73) Assignee: **LG ELECTRONICS INC.**, Seoul (KR)
- (**) Term: **15 Years**
- (21) Appl. No.: **35/514,790**
- (22) Filed: **May 24, 2022**
- (80) **Hague Agreement Data**
Int. Filing Date: **May 24, 2022**
Int. Reg. No.: **DM/222273**
Int. Reg. Date: **May 24, 2022**
Int. Reg. Pub. Date: **Jul. 29, 2022**

- D700,594 S * 3/2014 Lee D14/239
 - D706,850 S * 6/2014 Takami D16/202
 - D708,248 S * 7/2014 Son D16/218
 - D708,249 S * 7/2014 Kim D16/218
- (Continued)

OTHER PUBLICATIONS

Nixeus VESA Height Adjustable LCD Monitor Stand with Tilt, Swivel, and Portrait Mode, publication date Mar. 3, 2016, [online] URL: <https://www.amazon.com/Nixeus-Adjustable-Portrait-100mmx100mm-75mmx75mm/dp/B01CHA4RYU> (Year: 2016).*

(Continued)

Primary Examiner — L. A. Grabenstetter
(74) *Attorney, Agent, or Firm* — Birch, Stewart, Kolasch & Birch, LLP

(57) **CLAIM**

The ornamental design for a monitor for computer, as shown and described.

DESCRIPTION

1. Monitor for computer

1.1 : Front perspective view

1.2 : Front view

1.3 : Back view

1.4 : Left view

1.5 : Right view

1.6 : Top view

1.7 : Bottom view

1.8 : Back perspective view

1.9 : Partial enlarged back perspective view, taken from circle 9 in reproduction 1.8

1.10 : Second front perspective view, showing the web cam feature in an extended position

The dash-dash broken lines depict portions of the monitor for computer that form no part of the claimed design. The dot-dash broken lines in reproductions 1.8 and 1.9 are included for the purpose of illustrating the partial enlargements and form no part of the claimed design.

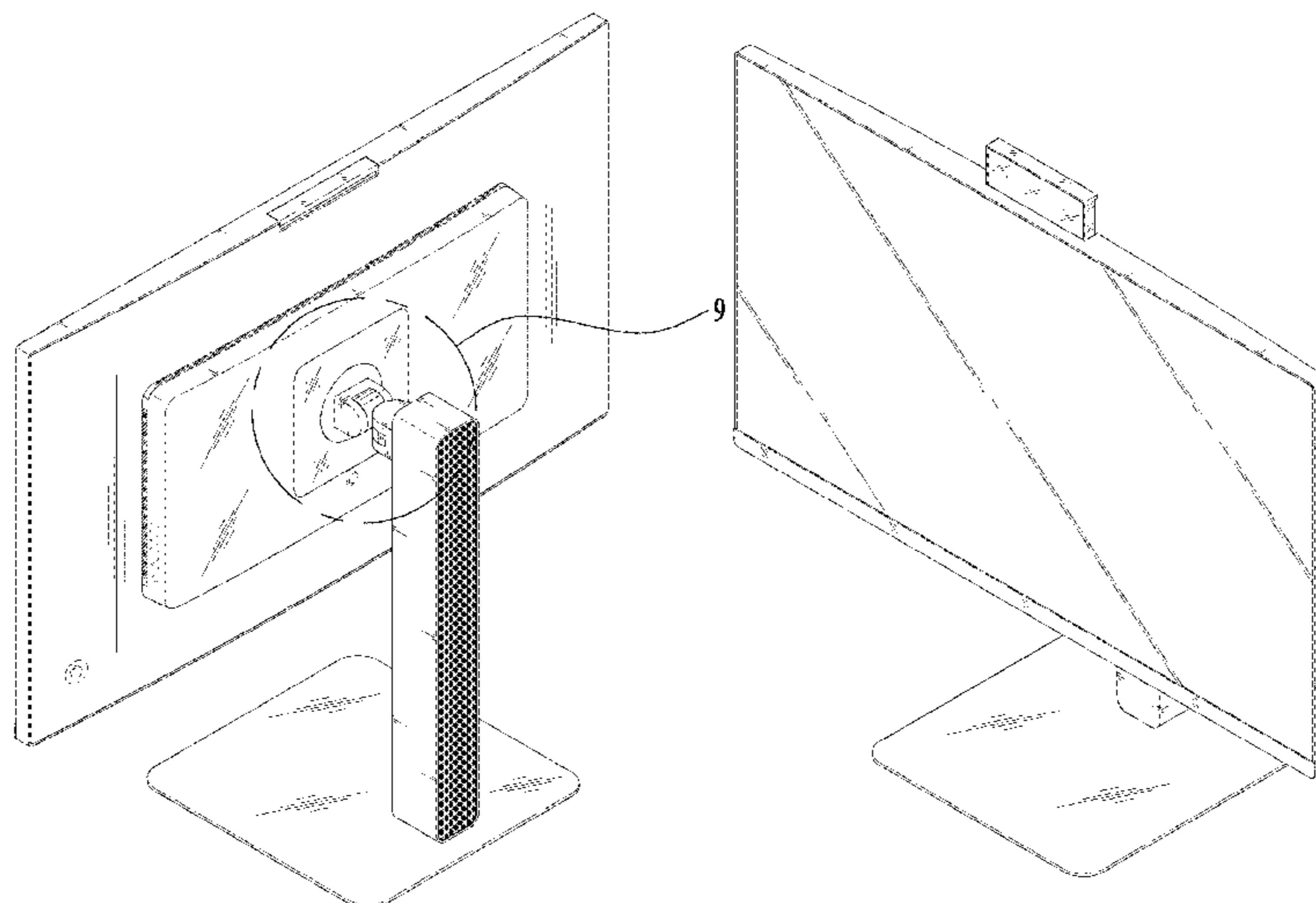
1 Claim, 10 Drawing Sheets

- (30) **Foreign Application Priority Data**
Dec. 22, 2021 (KR) 30-2021-0061859
- (51) **LOC (14) Cl.** **14-02**
- (52) **U.S. Cl.**
USPC **D14/374**
- (58) **Field of Classification Search**
USPC D14/125–129, 132, 203.3, 203.7, 300, D14/308, 310, 336, 341, 371, 372–380
CPC G06F 1/1601; G06F 1/1605; G06F 1/162
See application file for complete search history.

(56) **References Cited**

U.S. PATENT DOCUMENTS

- D356,081 S * 3/1995 Naito D14/134
- D378,534 S * 3/1997 Kato D14/371
- D513,002 S * 12/2005 Lin D14/371
- D559,807 S * 1/2008 Fujii D14/126
- D631,042 S * 1/2011 Chen D14/371
- D698,351 S * 1/2014 Jasinski D14/374



(56)

References Cited

U.S. PATENT DOCUMENTS

D744,021	S	*	11/2015	Miyata	D16/202
D796,508	S	*	9/2017	Oh	D14/374
D796,509	S	*	9/2017	Oh	D14/374
D817,329	S	*	5/2018	Chu	D14/374
D848,991	S	*	5/2019	Hwang	D14/239
D934,245	S	*	10/2021	Han	D24/185
D938,950	S	*	12/2021	Yoon	D14/336
D939,502	S	*	12/2021	Lee	D14/377
D948,521	S	*	4/2022	Ryu	D14/451
D949,157	S	*	4/2022	Lee	D14/451
D949,158	S	*	4/2022	Ryu	D14/451
2020/0209914	A1	*	7/2020	Franke	G06F 1/16

OTHER PUBLICATIONS

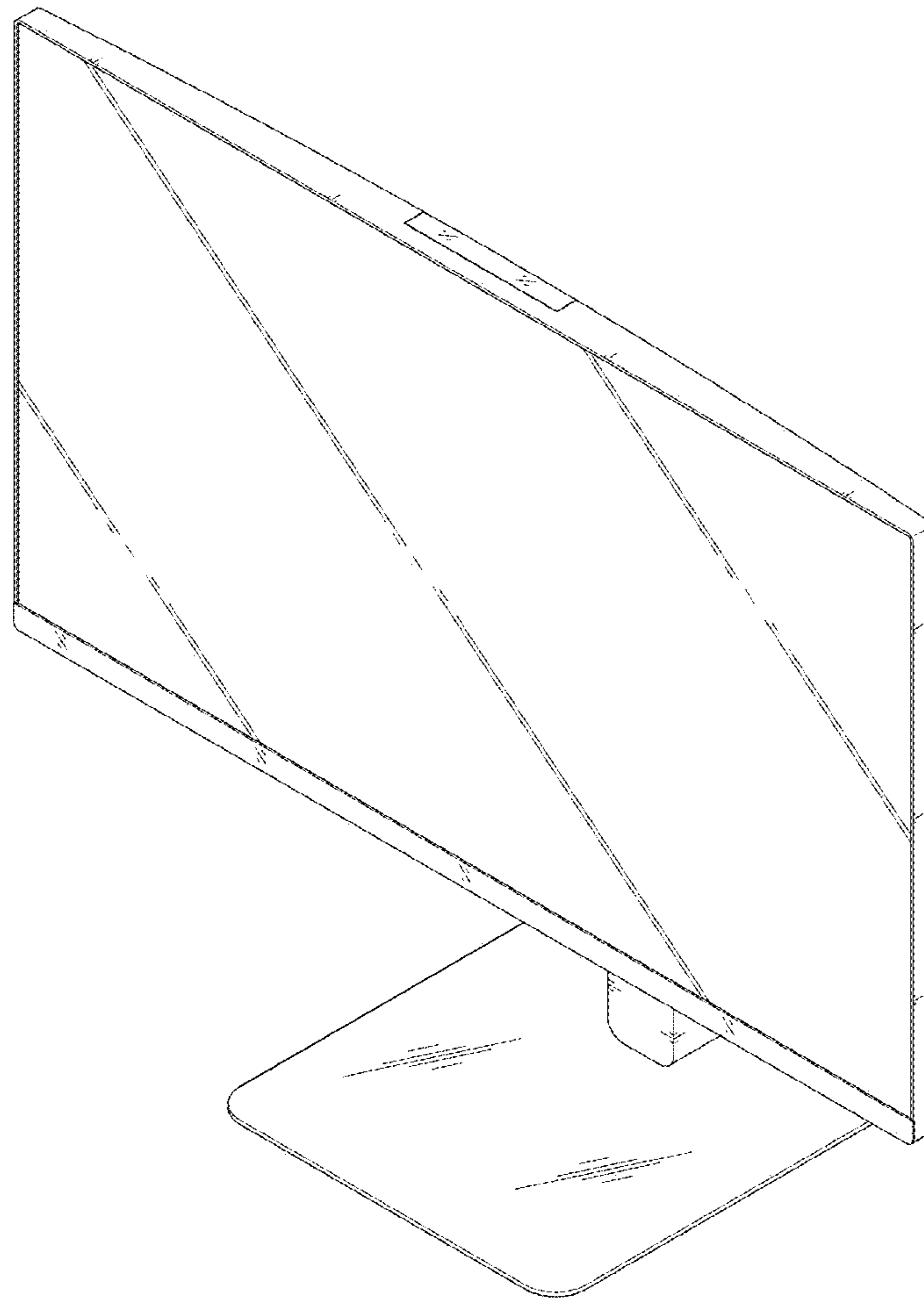
How to Pick the Right Monitor Mount, publication date Oct. 30, 2017, [online] URL: <https://www.howtogeek.com/330187/how-to-pick-the-right-monitor-mount/> (Year: 2017).*

Dell U2720QM 27 Inch UltraSharp 4K UHD, IPS Ultra-Thin Bezel Monitor, publication date Aug. 3, 2020, [online] URL: <https://www.amazon.com/dp/B08F5J8S6Y/> (Year: 2020).*

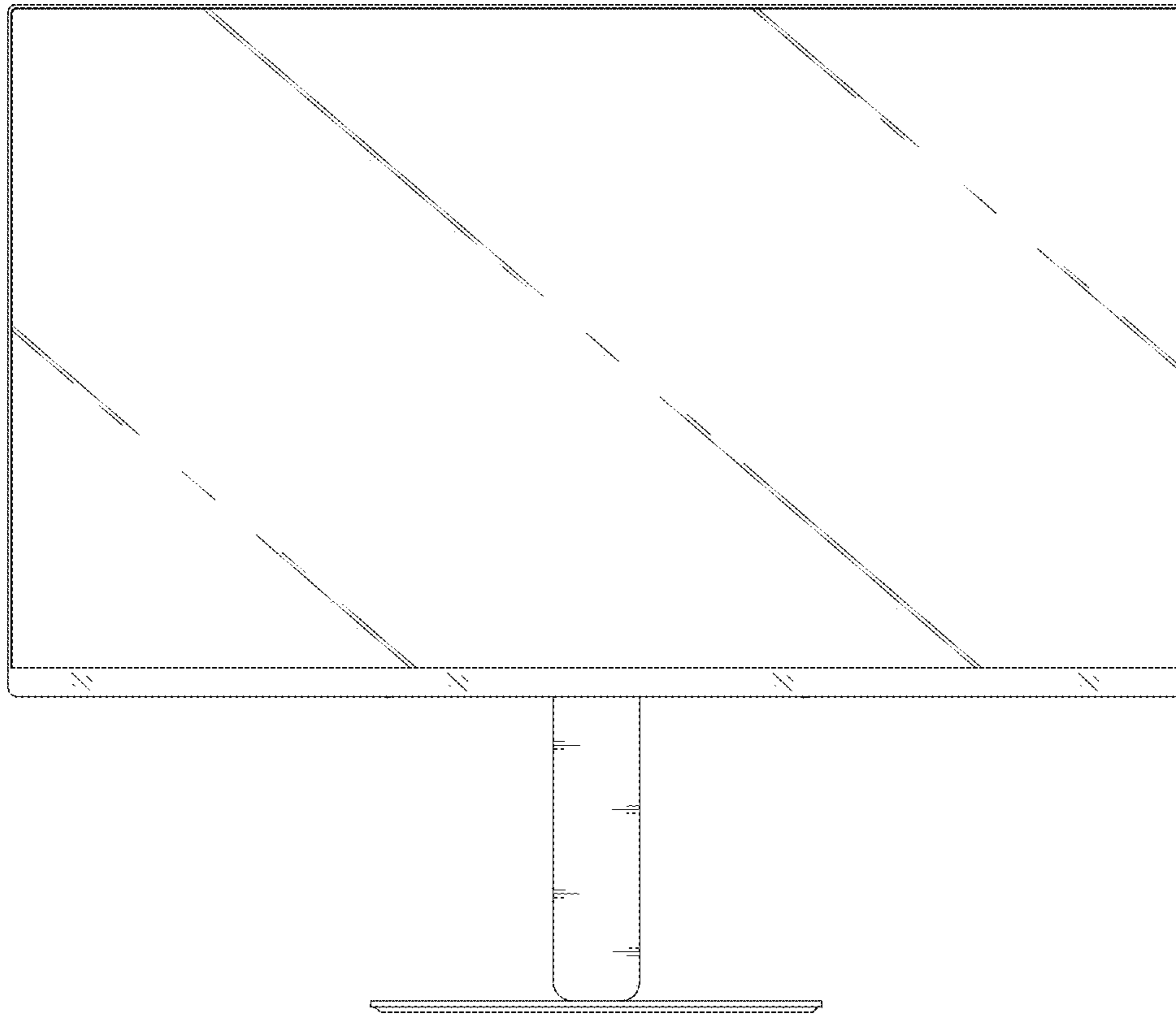
BenQ GW2785TC 27 inch 1080p IPS Height Adjustable Monitor, publication date Oct. 1, 2021, [online] URL: <https://www.amazon.com/BenQ-GW2785TC-Adjustable-Noise-Cancelling-Speakers/dp/B09G9JB97B> (Year: 2021).*

* cited by examiner

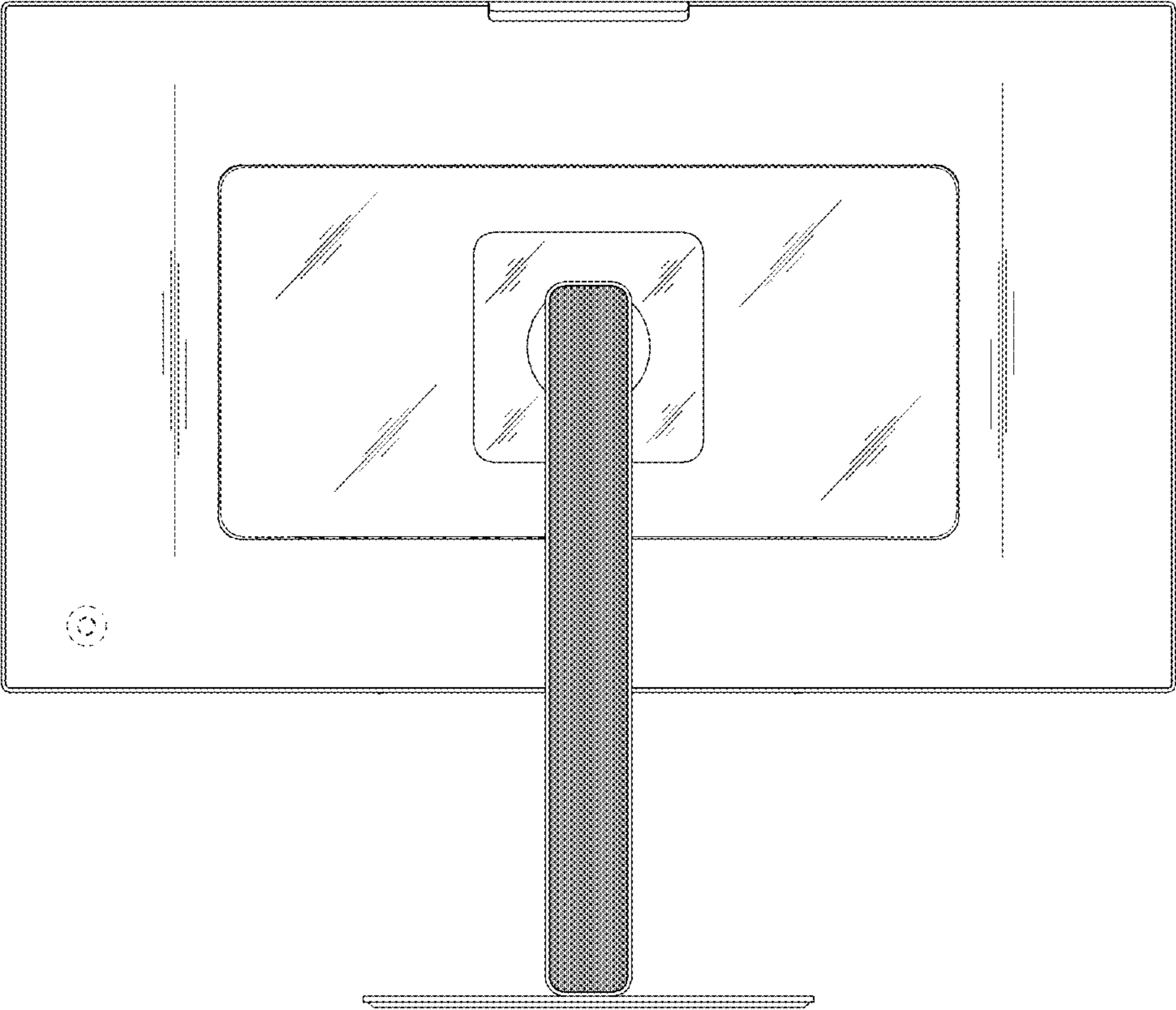
1.1



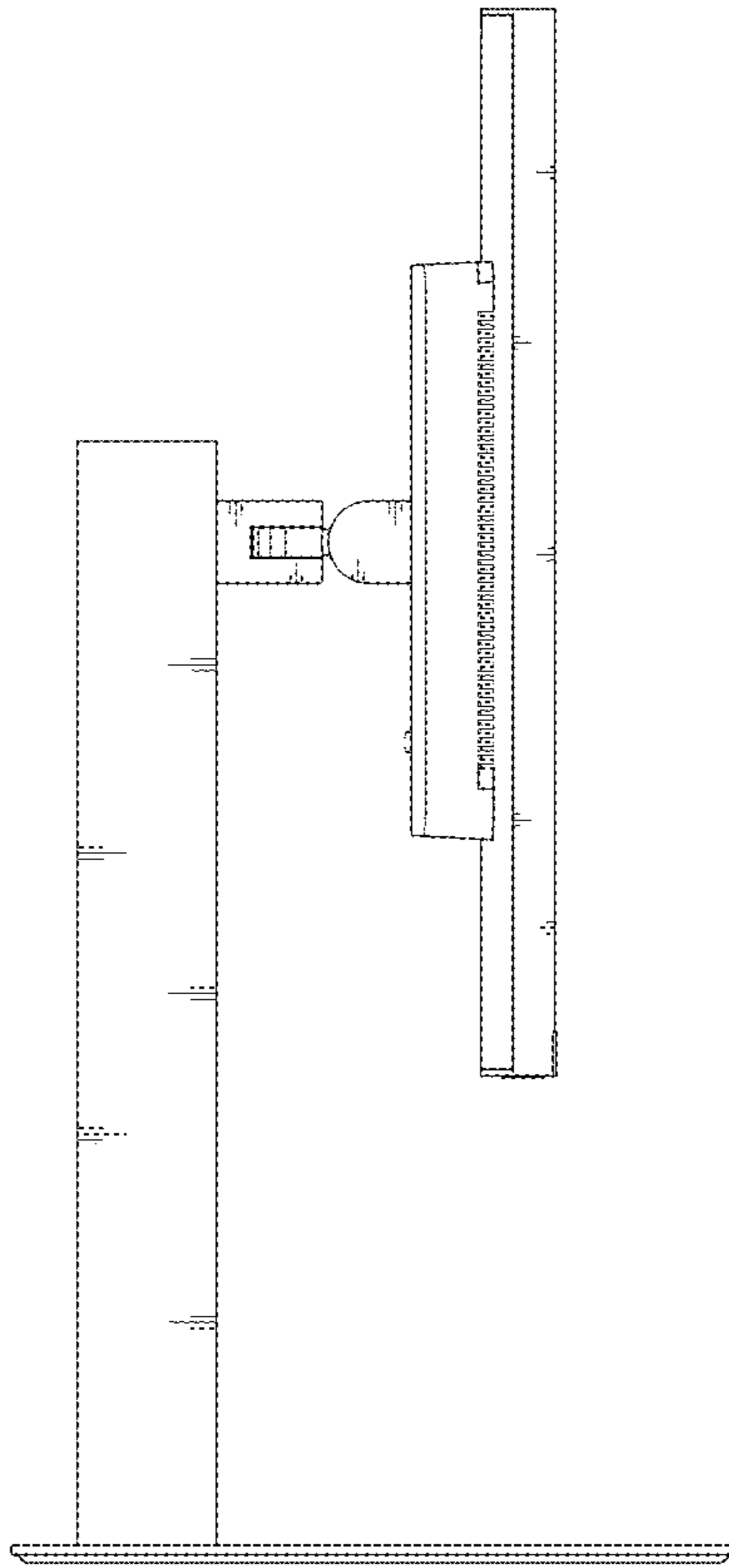
1.2



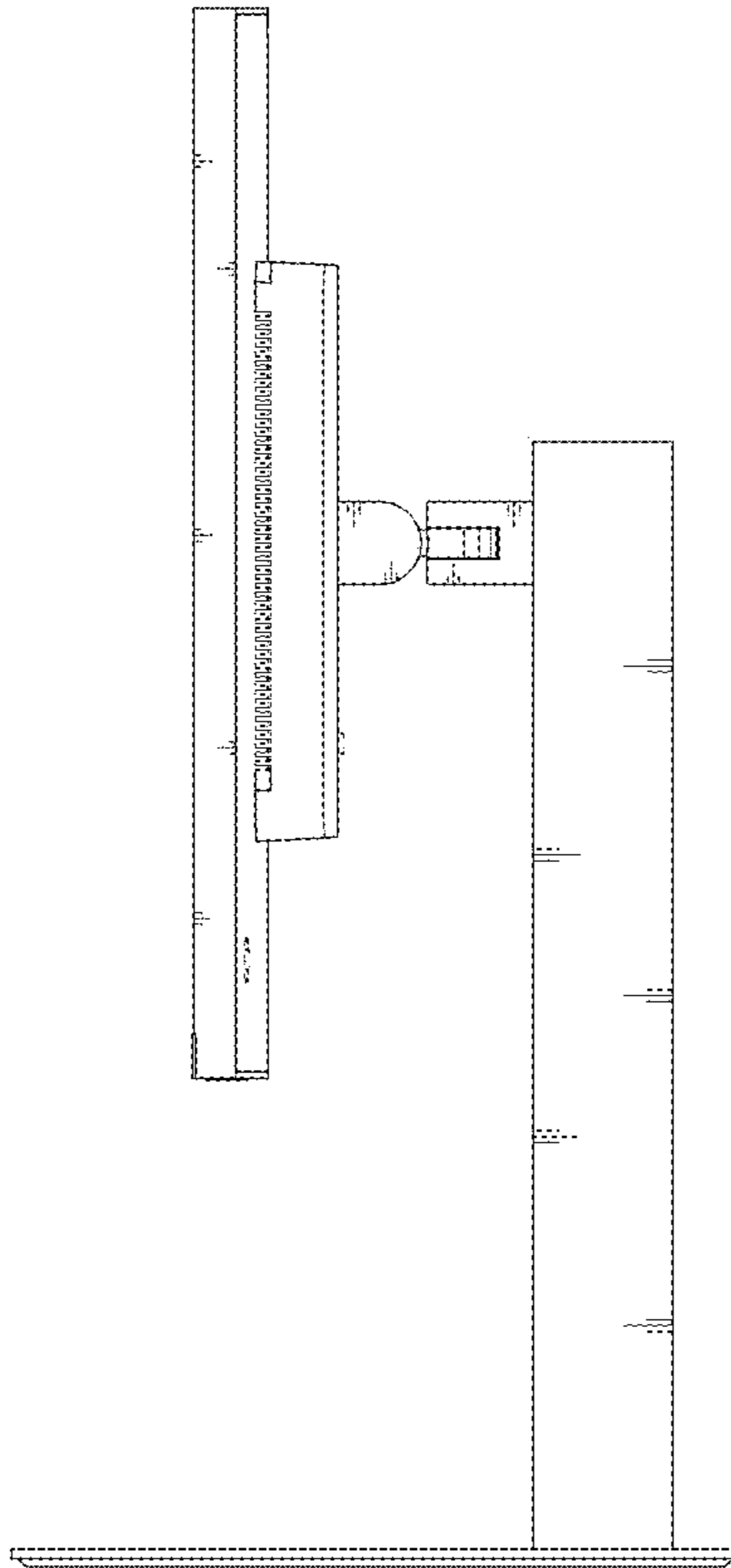
1.3



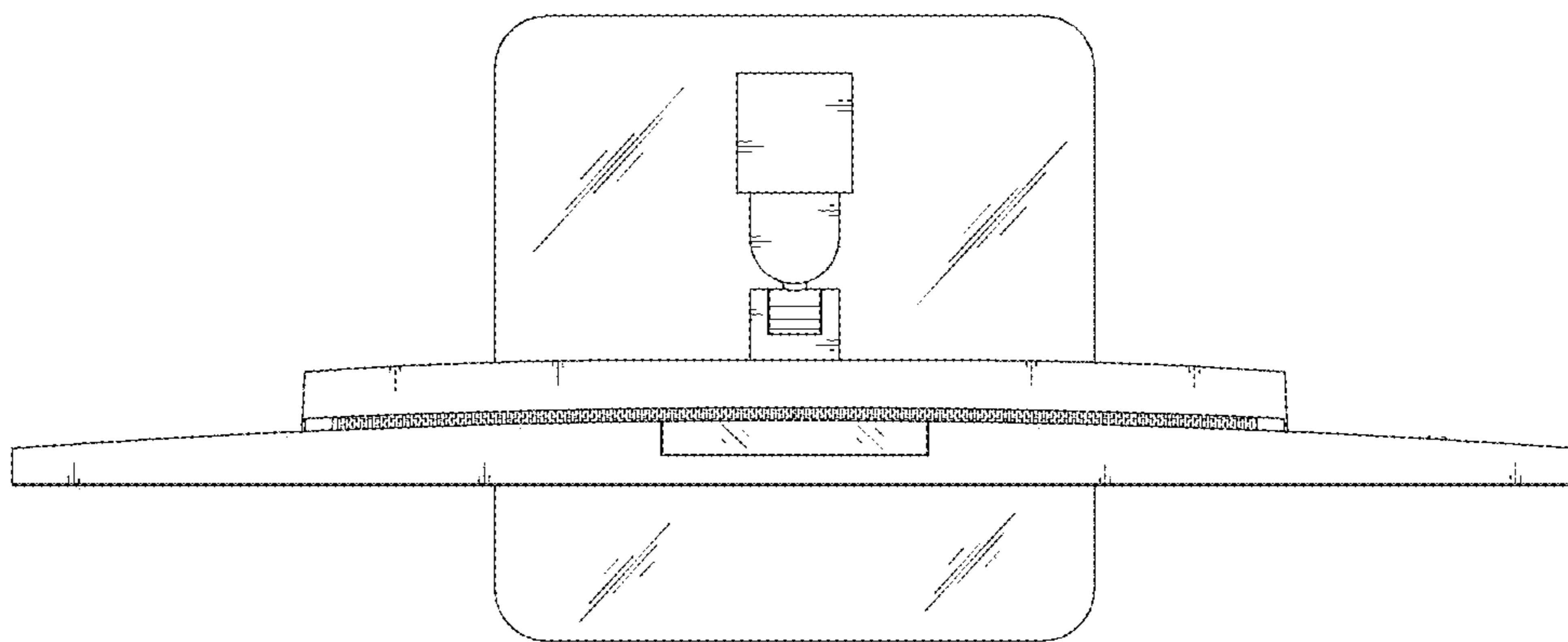
1.4



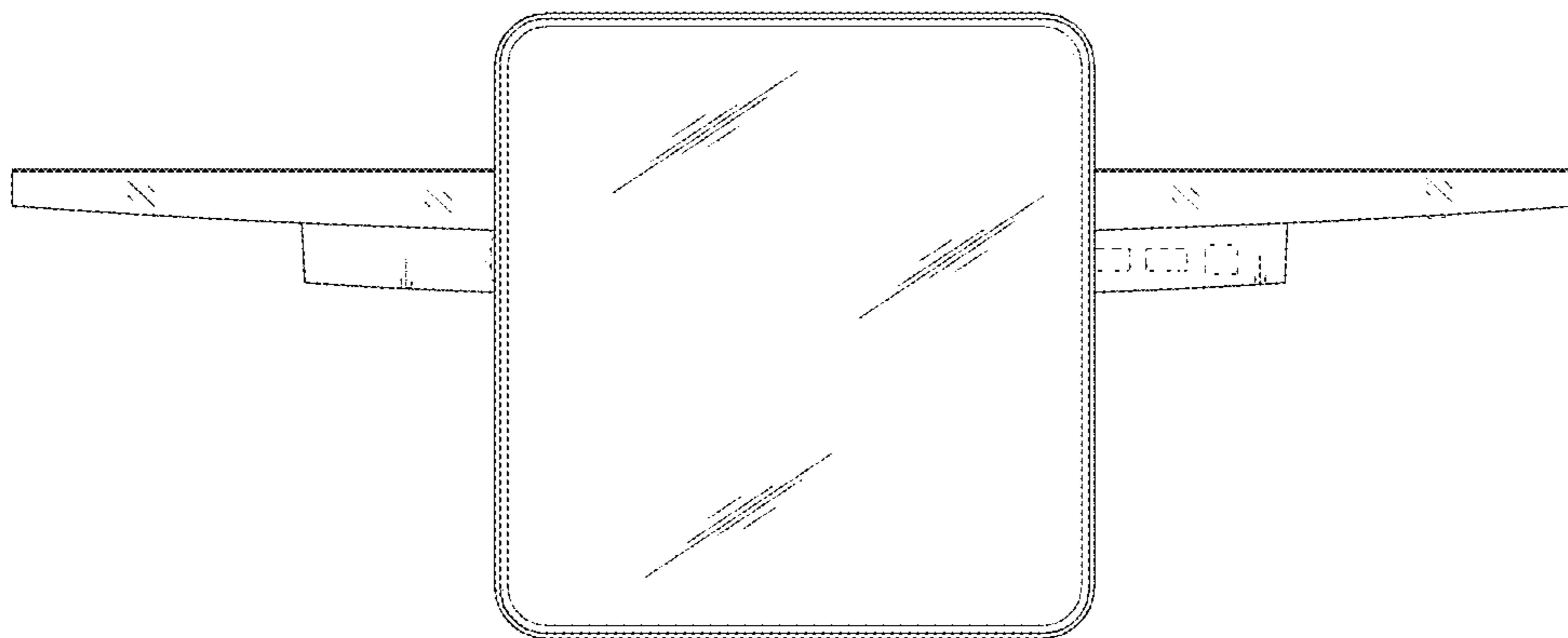
1.5



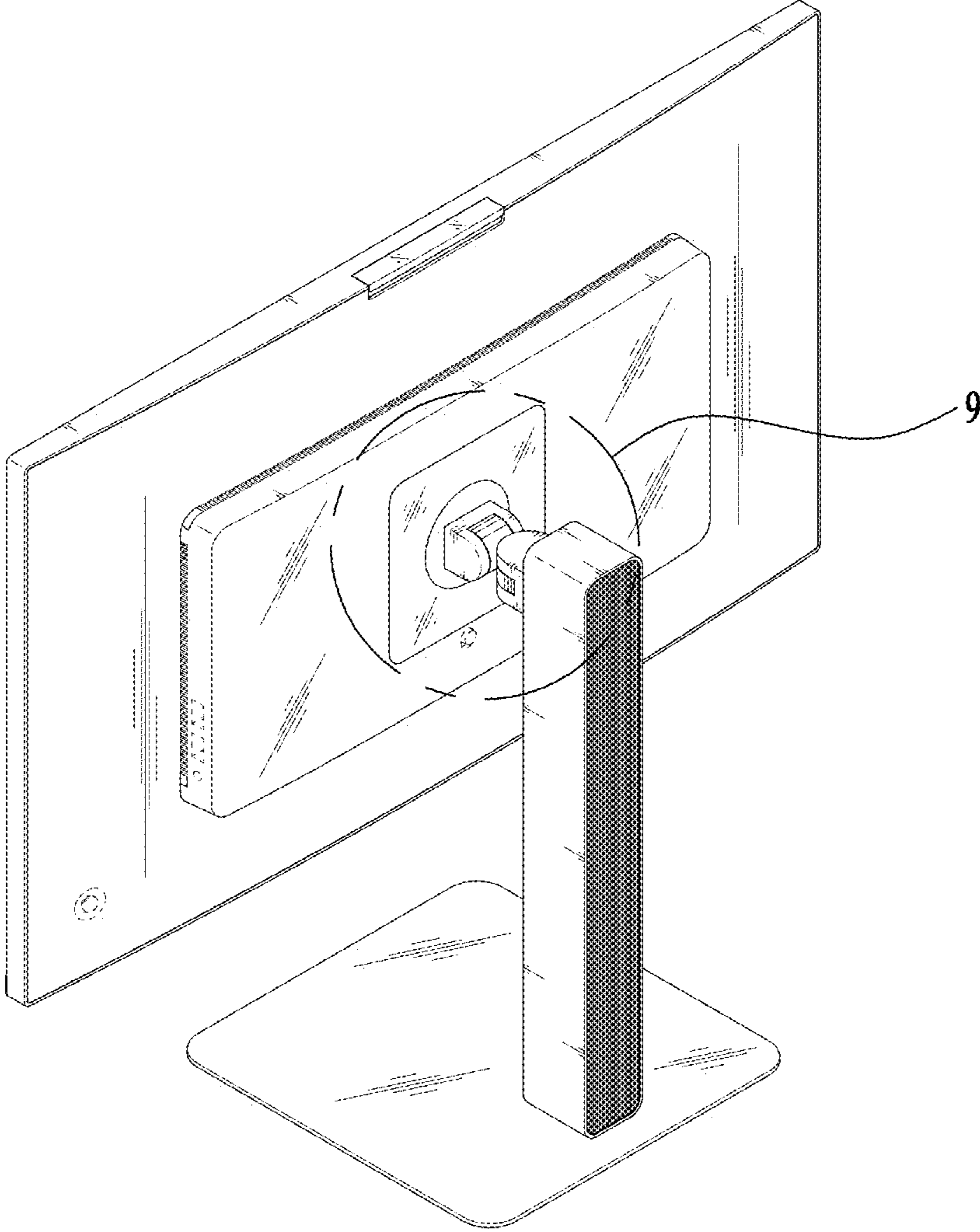
1.6



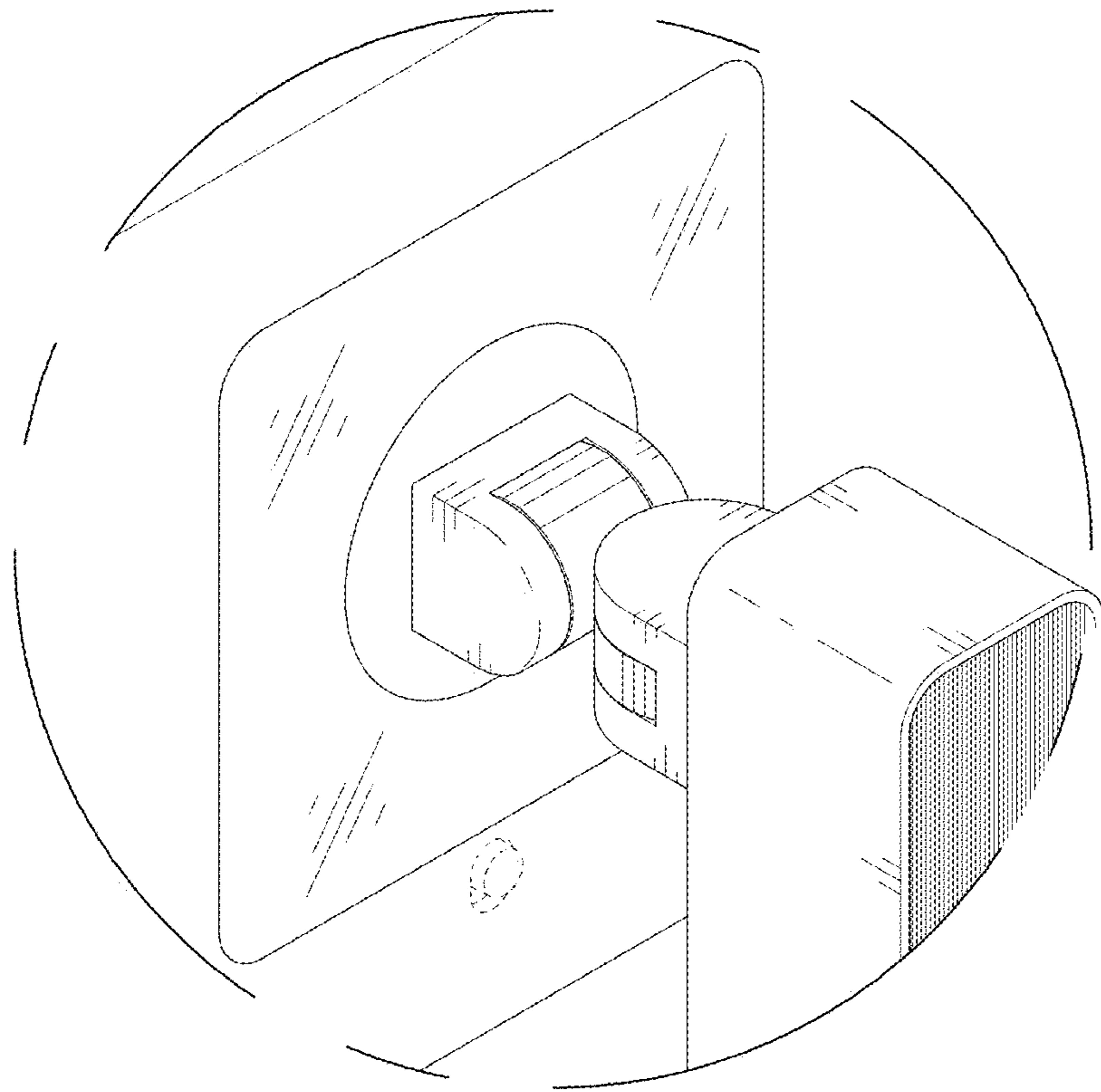
1.7



1.8



1.9



1.10

