



US00D988318S

(12) **United States Design Patent**
Cinar et al.

(10) **Patent No.:** **US D988,318 S**
(45) **Date of Patent:** **** Jun. 6, 2023**

(54) **SOLID STATE DRIVE MEMORY DEVICE**

(71) Applicant: **SAMSUNG ELECTRONICS CO., LTD.**, Suwon-si (KR)

(72) Inventors: **Yusuf Cinar**, Suwon-si (KR); **Jae Hong Park**, Suwon-si (KR); **Han Hong Lee**, Suwon-si (KR); **Seon Gyun Baek**, Suwon-si (KR); **Won-Gi Hong**, Suwon-si (KR)

(73) Assignee: **SAMSUNG ELECTRONICS CO., LTD.**, Suwon-si (KR)

(**) Term: **15 Years**

(21) Appl. No.: **29/805,535**

(22) Filed: **Aug. 27, 2021**

Related U.S. Application Data

(63) Continuation of application No. 17/217,759, filed on Mar. 30, 2021.

(30) **Foreign Application Priority Data**

Sep. 10, 2020 (KR) 10-2020-0115976

(51) **LOC (14) Cl.** **14-02**

(52) **U.S. Cl.**
USPC **D14/435**

(58) **Field of Classification Search**
USPC D13/103, 107, 177, 179, 184; D14/301, D14/356, 432, 434, 435, 436, 437, 438, D14/363, 365, 474, 480.1, 484.1
CPC G06F 1/1658; G06F 1/1684; G06F 1/185; G06F 1/187; G06F 1/186; G06K 19/04; G06K 19/041; G06K 19/07728; G06K 19/07732; G06K 19/07747; G06K 19/077; G06K 19/0772; G11B 2220/60; H01L 23/34; H01L 23/40; H05K 5/03; H05K 5/04; H05K 5/06; H05K 5/061; H05K 5/0214; H05K 5/0086; H05K

5/0256; H05K 5/026; H05K 5/0269; H05K 5/0278; H05K 5/0243; H05K 5/0004; H05K 5/0008; H05K 5/0039; H05K 5/0043; H05K 5/0047; G11C 5/00
See application file for complete search history.

(56) **References Cited**

U.S. PATENT DOCUMENTS

D345,959 S * 4/1994 Cooper D13/110
D348,247 S * 6/1994 Cooper D13/110
(Continued)

FOREIGN PATENT DOCUMENTS

CN 115440673 A * 12/2022 H05K 1/181
EP 0710955 A2 5/1996
(Continued)

Primary Examiner — Marie D. Fast Horse

Assistant Examiner — Josiah D. Parsons

(74) *Attorney, Agent, or Firm* — Sughrue Mion, PLLC

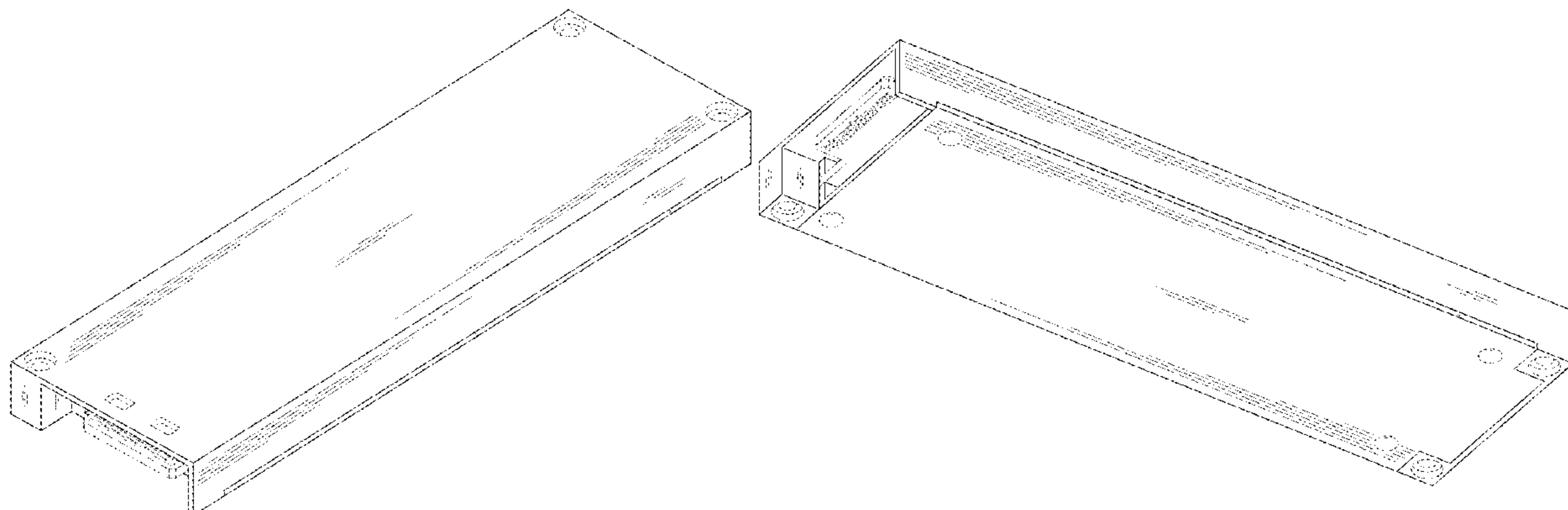
(57) **CLAIM**

The ornamental design for a solid state drive memory device, as shown and described.

DESCRIPTION

FIG. 1 is a front perspective view of a solid state drive memory device showing my new design;
FIG. 2 is a front view thereof;
FIG. 3 is a rear view thereof;
FIG. 4 is a left-side view thereof;
FIG. 5 is a right-side view thereof;
FIG. 6 is a top plan view thereof;
FIG. 7 is a bottom plan view thereof; and,
FIG. 8 is another perspective view thereof.
The evenly dashed broken lines in the figures depict portions of the solid state drive memory device that form no part of the claimed design.

1 Claim, 8 Drawing Sheets



(56)

References Cited

U.S. PATENT DOCUMENTS

5,377,080 A * 12/1994 Lin H05K 5/0008
 361/801
 5,673,181 A * 9/1997 Hsu H05K 5/0269
 439/946
 D384,648 S * 10/1997 Seirio D13/181
 D400,512 S * 11/1998 Korhonen D13/184
 6,287,143 B1 9/2001 Lwee
 6,317,317 B1 * 11/2001 Lu G11B 33/124
 D660,787 S * 5/2012 Lambert D13/103
 D669,427 S * 10/2012 Ignor D13/103
 9,135,957 B2 9/2015 Grobe et al.
 D743,399 S * 11/2015 Frank D14/435
 D768,134 S * 10/2016 Andre D14/436
 9,501,110 B2 11/2016 Heyd et al.
 9,583,153 B1 * 2/2017 Sarraf G06F 1/183
 9,607,914 B2 3/2017 Gwin
 D826,944 S * 8/2018 Lim D14/435
 D826,945 S * 8/2018 Lim D14/435

D828,358 S * 9/2018 Lim D14/435
 10,140,063 B2 11/2018 Worley et al.
 10,261,554 B1 * 4/2019 Lin G11B 33/124
 10,346,735 B1 * 7/2019 Lee H05K 5/03
 10,349,542 B2 7/2019 Chen et al.
 10,416,731 B2 9/2019 Heyd et al.
 D888,000 S * 6/2020 Lim D13/184
 D896,229 S * 9/2020 Jun D14/435
 D921,627 S * 6/2021 Jun D14/348
 D943,586 S * 2/2022 Jun D14/435
 D967,823 S * 10/2022 Crisp D14/435
 2020/0174533 A1 6/2020 Long
 2020/0302259 A1 * 9/2020 Kanaoka H01Q 9/0421
 2022/0394862 A1 * 12/2022 Okubo H05K 1/181

FOREIGN PATENT DOCUMENTS

EP 1494518 A1 * 1/2005 H05K 5/0008
 JP 2018195436 A 12/2018

* cited by examiner

FIG. 1

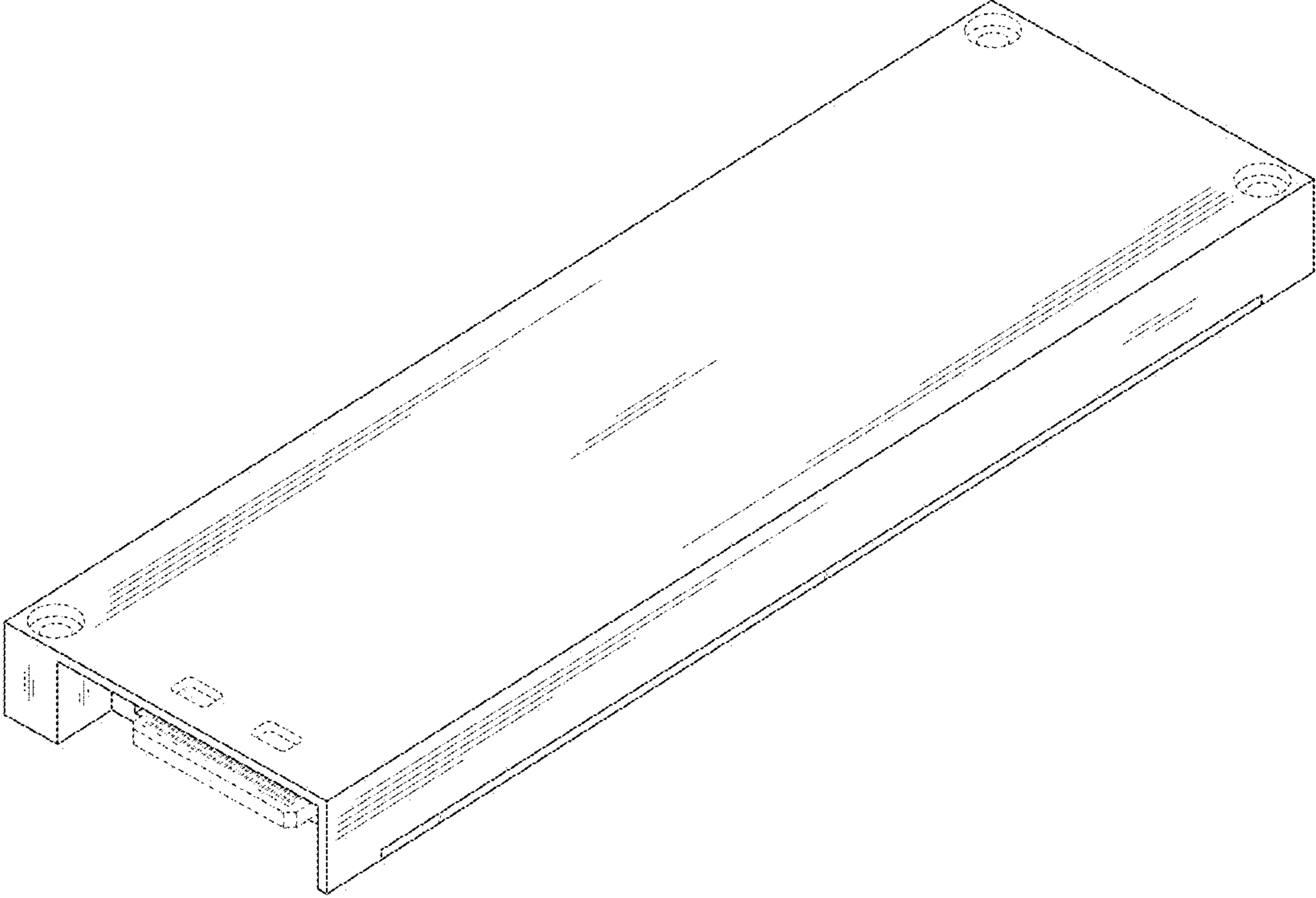


FIG. 2

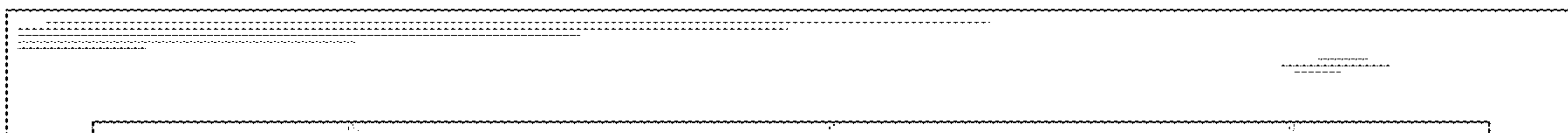


FIG. 3

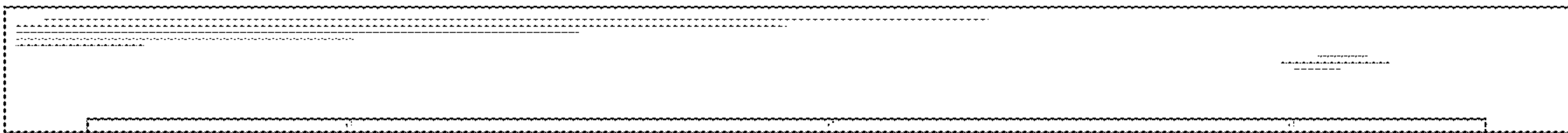


FIG. 4

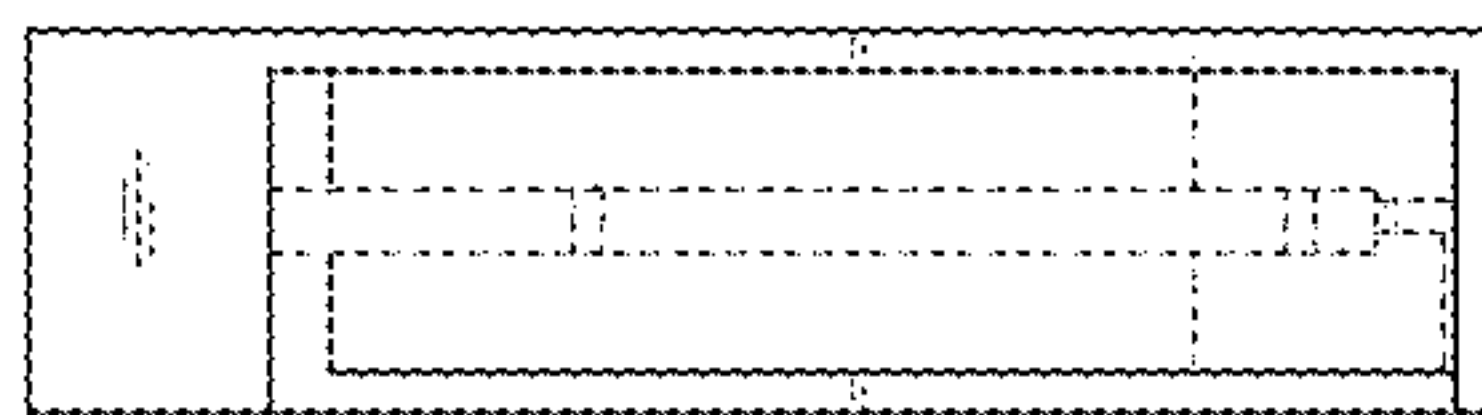


FIG. 5

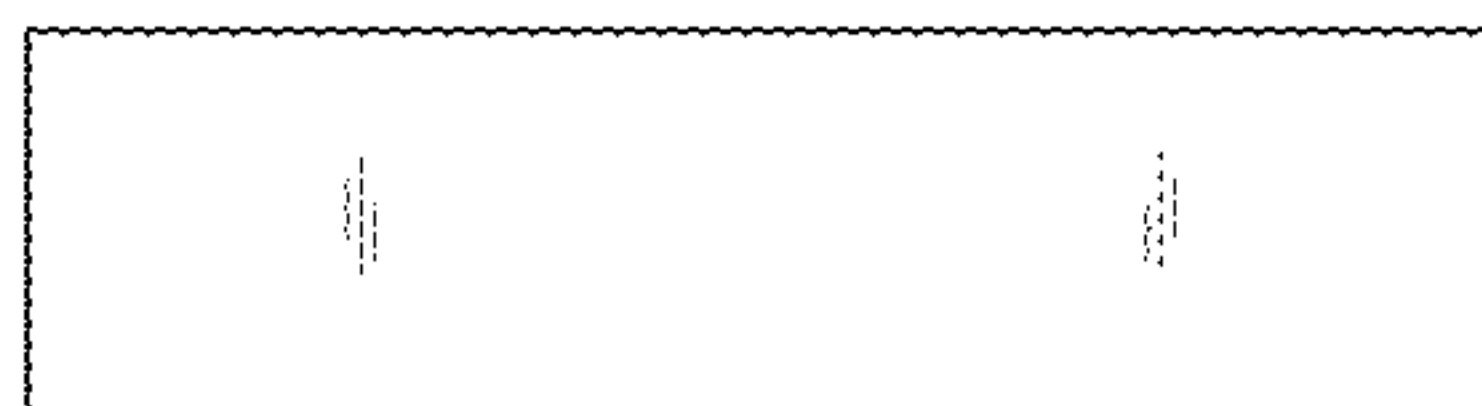


FIG. 6

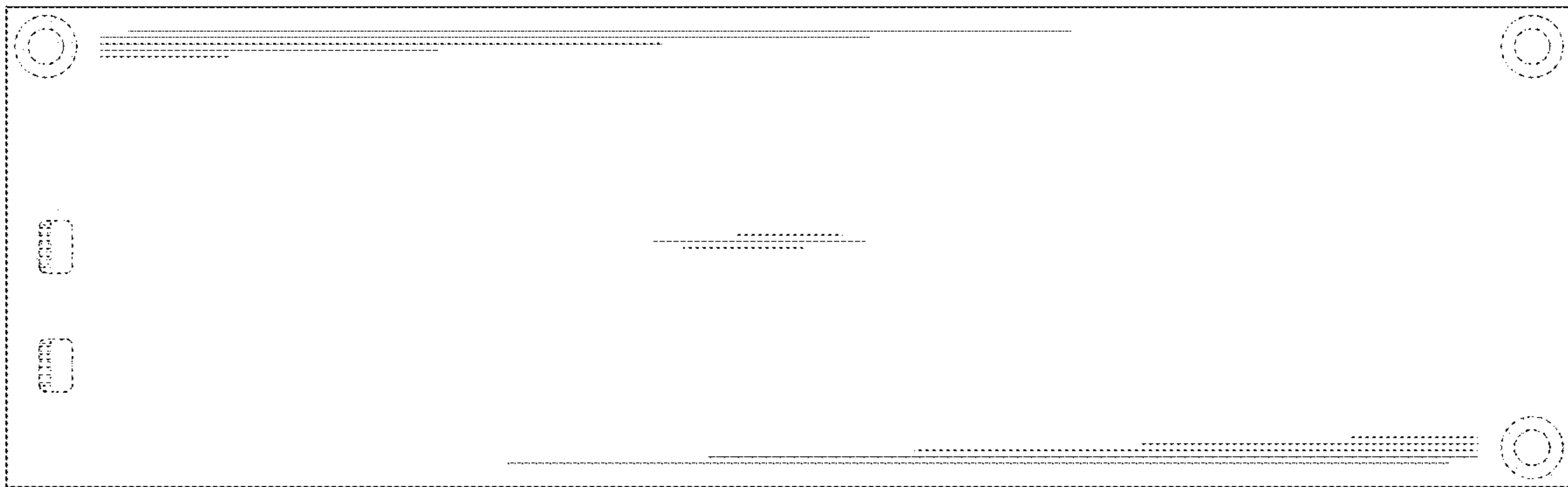


FIG. 7

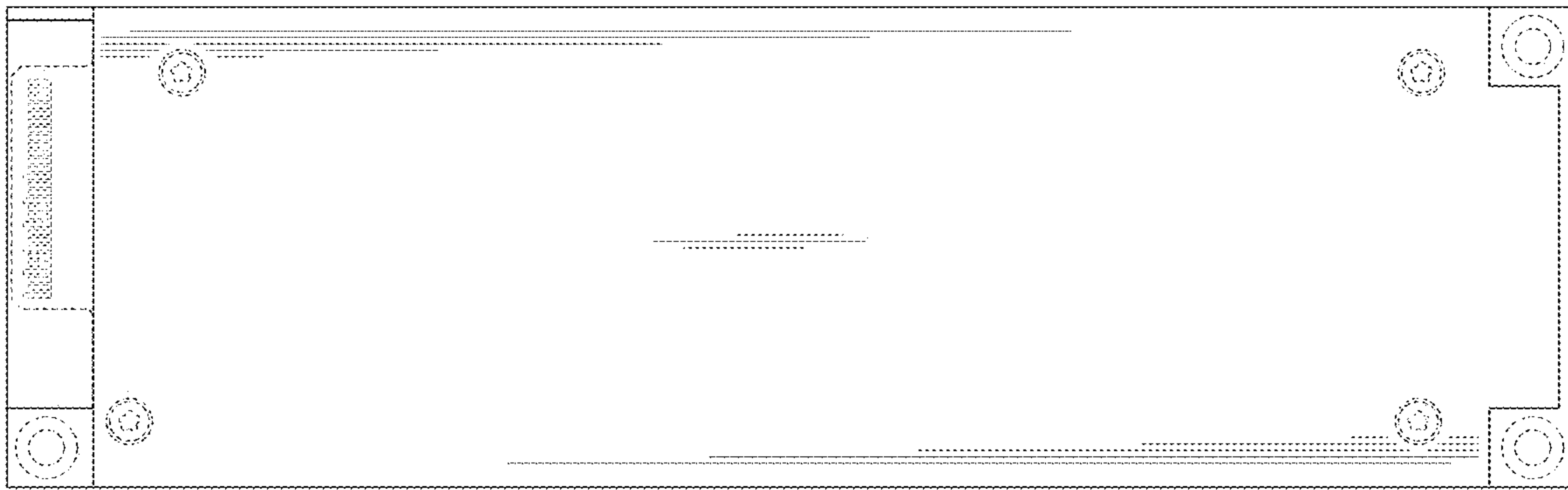


FIG. 8

