



US00D988317S

(12) **United States Design Patent** (10) **Patent No.:** **US D988,317 S**  
**Lee** (45) **Date of Patent:** **\*\* Jun. 6, 2023**

(54) **DISPLAY DEVICE**  
 (71) Applicant: **SAMSUNG DISPLAY CO., LTD.,**  
 Yongin-si (KR)  
 (72) Inventor: **Sang Wol Lee, Yongin-si (KR)**  
 (73) Assignee: **Samsung Display Co., Ltd., Yongin-si**  
 (KR)  
 (\*\*) Term: **15 Years**  
 (21) Appl. No.: **29/786,184**  
 (22) Filed: **May 28, 2021**

**Related U.S. Application Data**

(63) Continuation of application No. 29/733,317, filed on Apr. 30, 2020, now Pat. No. Des. 920,973, which is a continuation of application No. 29/627,603, filed on Nov. 28, 2017, now Pat. No. Des. 901,495.

(30) **Foreign Application Priority Data**

May 31, 2017 (KR) ..... 30-2017-0024699

(51) **LOC (14) Cl.** ..... **14-02**

(52) **U.S. Cl.**  
 USPC ..... **D14/345**

(58) **Field of Classification Search**

USPC ..... D14/138 AA, 138 AB, 138 AC, 138 AD,  
 D14/138 C, 138 G, 248, 315-318,  
 D14/341-347, 371, 374, 432, 439;  
 D6/308, 310; D10/50, 65, 104.1;  
 D18/6-7; D19/26, 59-60; D21/324,  
 D21/329-330, 332

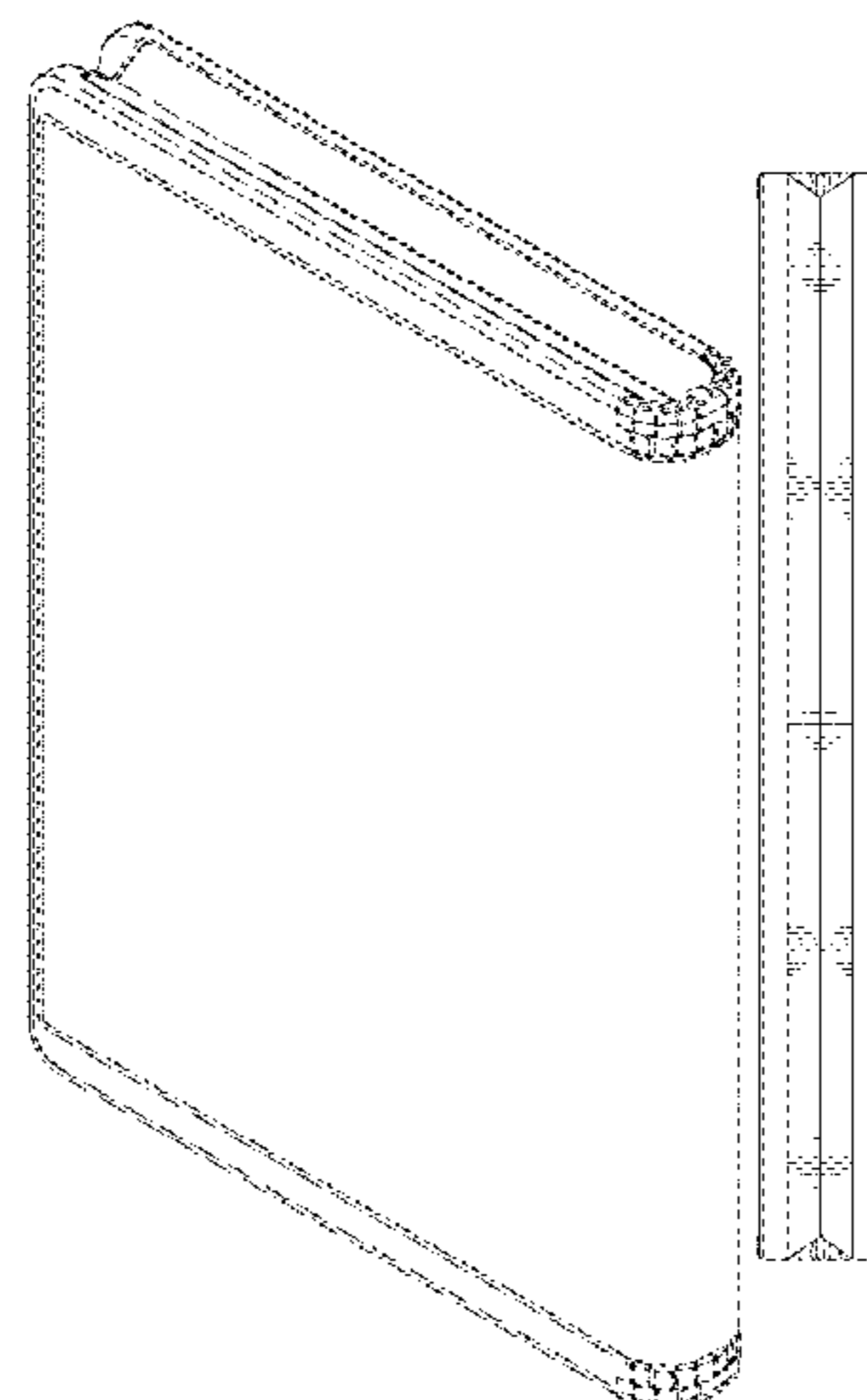
CPC ... H04M 1/0202; H04M 1/0266; H04M 1/725  
 See application file for complete search history.

(56) **References Cited**

**U.S. PATENT DOCUMENTS**

9,176,535 B2 \* 11/2015 Bohn ..... H04M 1/0216  
 D749,571 S 2/2016 Park et al.  
 D770,448 S \* 11/2016 Endo ..... D14/371

D776,108 S 1/2017 Hsu  
 9,572,272 B2 2/2017 Lee  
 D782,438 S 3/2017 Choo et al.  
 D782,439 S 3/2017 Choo et al.  
 9,625,953 B2 \* 4/2017 Bitz ..... G06F 1/1681  
 D791,725 S \* 7/2017 Lee ..... D14/138 G  
 D791,753 S \* 7/2017 Bae ..... D14/341  
 D795,861 S \* 8/2017 Seo ..... D14/341  
 D797,729 S 9/2017 Park et al.  
 D798,256 S 9/2017 Choo et al.  
 D800,112 S 10/2017 Park et al.  
 9,818,961 B2 \* 11/2017 Hiroki ..... G09G 3/3266  
 D804,472 S 12/2017 Seo et al.  
 D811,393 S \* 2/2018 Ahn ..... D14/371  
 D814,435 S \* 4/2018 Kwon ..... D14/138 AB  
 D814,455 S \* 4/2018 Kwon ..... D14/341  
 9,934,706 B2 4/2018 Lim  
 9,954,986 B2 4/2018 Shin et al.  
 10,143,098 B1 \* 11/2018 Lee ..... E05D 11/06  
 D840,394 S 2/2019 Son et al.  
 D841,646 S 2/2019 Son et al.  
 D847,810 S 5/2019 Okuley et al.  
 10,297,785 B2 \* 5/2019 Ahn ..... H05K 1/028  
 10,310,565 B2 \* 6/2019 Aoki ..... G06F 1/1652  
 10,347,852 B2 \* 7/2019 Myeong ..... H04M 1/0216  
 10,461,274 B2 10/2019 Kim  
 10,516,119 B2 \* 12/2019 Lee ..... H01L 51/5256  
 10,542,128 B2 1/2020 Kang et al.  
 D875,091 S \* 2/2020 Kwon ..... D14/341  
 10,599,184 B2 3/2020 Kim et al.  
 D883,943 S 5/2020 Oh  
 D884,743 S \* 5/2020 Liu ..... D14/496  
 10,678,305 B1 \* 6/2020 Lee ..... G06F 1/1652  
 D894,144 S 8/2020 Lee et al.  
 D894,145 S 8/2020 Lee et al.  
 D897,301 S 9/2020 Lee et al.  
 D898,693 S 10/2020 Lee et al.  
 10,809,767 B2 10/2020 Ou et al.  
 D901,419 S 11/2020 Lee et al.  
 D901,422 S 11/2020 Lee  
 D901,489 S 11/2020 Seo et al.  
 D901,494 S 11/2020 Kim  
 D901,495 S \* 11/2020 Lee ..... D14/341  
 D902,167 S 11/2020 Lee et al.  
 10,831,243 B2 11/2020 Kim et al.  
 D906,994 S 1/2021 Lee et al.  
 10,928,863 B2 \* 2/2021 Pelissier ..... G06F 1/1652  
 D920,973 S \* 6/2021 Lee ..... D14/345  
 11,048,305 B1 \* 6/2021 Ye ..... H04M 1/0216  
 D925,525 S \* 7/2021 Lee ..... D14/345  
 D949,147 S \* 4/2022 Lee ..... D14/345  
 D953,316 S \* 5/2022 Lee ..... D14/248



2002/0067339	A1 *	6/2002	Min	.....	G06F 1/1601 345/156
2006/0105824	A1 *	5/2006	Kim	.....	H04M 1/0247 455/575.8
2010/0232100	A1 *	9/2010	Fukuma	.....	H04M 1/0216 361/679.01
2012/0307423	A1 *	12/2012	Bohn	.....	H04M 1/0268 361/679.01
2013/0216740	A1 *	8/2013	Russell-Clarke	.....	G06F 1/1616 219/121.72
2014/0029212	A1	1/2014	Hwang et al.		
2015/0077917	A1 *	3/2015	Song	.....	G06F 1/1652 361/679.27
2015/0131222	A1 *	5/2015	Kauhaniemi	.....	H05K 5/0226 16/225
2015/0176317	A1 *	6/2015	Lee	.....	E05D 3/06 16/251
2015/0257289	A1	9/2015	Lee et al.		
2016/0139634	A1 *	5/2016	Cho	.....	G06F 1/1652 16/366
2016/0195901	A1 *	7/2016	Kauhaniemi	.....	G06F 1/1652 361/679.27
2016/0349802	A1 *	12/2016	Ahn	.....	G06F 1/1681
2017/0061836	A1 *	3/2017	Kim	.....	G06F 1/1626
2017/0142847	A1	5/2017	Park		
2017/0235343	A1 *	8/2017	Cho	.....	G06F 1/1681 361/679.27
2017/0357289	A1	12/2017	Ahn		
2018/0070460	A1 *	3/2018	Han	.....	G06F 1/1626
2018/0109871	A1 *	4/2018	Huh	.....	H04R 1/2811
2018/0329460	A1 *	11/2018	Song	.....	G06F 1/1626
2018/0373297	A1	12/2018	Liao et al.		
2019/0280226	A1 *	9/2019	Myeong	.....	H01L 51/0097
2019/0346887	A1	11/2019	Park et al.		
2020/0137908	A1	4/2020	Yoo et al.		
2020/0178404	A1 *	6/2020	Um	.....	H01L 51/5237
2020/0225703	A1 *	7/2020	Kulkarni	.....	G06F 1/1647
2020/0249898	A1	8/2020	Ko et al.		
2020/0253068	A1 *	8/2020	Cha	.....	H05K 5/0226
2020/0253069	A1 *	8/2020	Cha	.....	G06F 1/1681
2020/0264670	A1	8/2020	Zhu et al.		
2020/0326751	A1	10/2020	Kim et al.		
2020/0387195	A1 *	12/2020	Kim	.....	G06F 1/1652
2021/0011514	A1	1/2021	Wang et al.		

FOREIGN PATENT DOCUMENTS

CN	305790886	*	5/2020
CN	306059056	*	9/2020
EM	003536457-0001		7/2019

OTHER PUBLICATIONS

Hands On With the ThinkPad X1 Fold, Jan. 6, 2020, [retrieved Dec. 27, 2022], Retrieved from Internet, URL: <<https://www.pcmag.com/news/hands-on-with-the-thinkpad-x1-fold-lenovos-bending-tablet-gets-real>> (Year: 2020).\*

HP foldable smartphone with clamshell design, Sep. 17, 2020, [retrieved Dec. 27, 2022], Retrieved from Internet, URL: <<https://en.letsgodigital.org/smartphones/hp-foldable-smartphone/>> (Year: 2020).\*

Huawei foldable smartphone visualized in 3D, Feb. 2, 2019, [retrieved Dec. 27, 2022], Retrieved from Internet, URL: <<https://en.letsgodigital.org/smartphones/huawei-foldable-smartphone/>> (Year: 2019).\*

New Samsung patent renders point to flip phone with foldable display, Aug. 22, 2019, [retrieved Dec. 27, 2022], Retrieved from Internet, URL: <<https://www.notebookcheck.net/New-Samsung-patent-renders-point-to-flip-phone-with-foldable-display.431203.0.html>> (Year: 2019).\*

Samsung Gaming Smartphone, Jan. 31, 2019, [retrieved Dec. 27, 2022], Retrieved from Internet, URL: <<https://www.concept-phones.com/samsung/samsung-gaming-smartphone-now-has-a-foldable-display/>> (Year: 2019).\*

Samsung patent reveals flexible tablet design, Oct. 24, 2018, [retrieved Dec. 27, 2022], Retrieved from Internet, URL: <[https://www.gsmarena.com/samsung\\_patent\\_reveals\\_flexible\\_tablet\\_design-news-33884.php](https://www.gsmarena.com/samsung_patent_reveals_flexible_tablet_design-news-33884.php)> (Year: 2018).\*

The new Samsung Galaxy Z Fold 4, Aug. 10, 2022, [retrieved Dec. 27, 2022], Retrieved from Internet, URL: <<https://www.theverge.com/23298448/samsung-galaxy-z-fold-4-specs-price-screen-camera-hands-on>> (Year: 2022).\*

Want To Build Your Own Folding Phone?, Jul. 19, 2021, [retrieved Dec. 27, 2022], Retrieved from Internet, URL: <<https://www.yankodesign.com/2021/07/19/want-to-build-your-own-folding-phone-royoles-diy-flexible-display-kit-lets-you-experiment-with-foldable-tech/>> (Year: 2021).\*

Preslav Kateliev, "The Flexible Samsung Galaxy Fold: all the rumors on design, price, release date, specs," [https://www.phonearena.com/news/Samsung-Galaxy-fold-foldable-Price-release-date-design-specs\\_id104246](https://www.phonearena.com/news/Samsung-Galaxy-fold-foldable-Price-release-date-design-specs_id104246), Feb. 12, 2019, 10 pages.

Royole FlexPai, announced Oct. 31, 2018 [online], [retrieved Jan. 14, 2021]. Available from Internet, URL: <<https://tabletmonkeys.com/royole-flexpai-worlds-the-first-foldable-tablet-announced/>> (Year: 2018).

\* cited by examiner

*Primary Examiner* — Messina L Smith  
*Assistant Examiner* — Aram Kwon  
 (74) *Attorney, Agent, or Firm* — Lewis Roca Rothgerber Christie LLP

(57) **CLAIM**

The ornamental design for a display device, as shown and described.

**DESCRIPTION**

FIG. 1 is a front perspective view of the display device showing the new design in a folded state;  
 FIG. 2 is a front view thereof, with the rear view being a mirror image thereof;  
 FIG. 3 is a left side view thereof;  
 FIG. 4 is a right side view thereof;  
 FIG. 5 is a top view thereof, with the bottom view being a mirror image thereof;  
 FIG. 6 is a perspective view of the display device in an unfolded state;  
 FIG. 7 is a front view thereof;  
 FIG. 8 is a rear view thereof;  
 FIG. 9 is a left side view thereof, with the right side view being a mirror image thereof;  
 FIG. 10 is a top view thereof, with the bottom view being a mirror image thereof;  
 FIG. 11 is a front perspective view of the display device shown in FIG. 1 shown with an image displayed on the screen of the display; and,  
 FIG. 12 is a front perspective view of the display device shown in FIG. 6 shown with an image displayed on the screen of the display.  
 The broken line images shown on the screen of the display in FIGS. 11 and 12 depict environment subject matter that forms no part of the claimed design. The remainder of the broken lines shown in the drawings depict portions of the display device that form no part of the claimed design.

FIG. 1

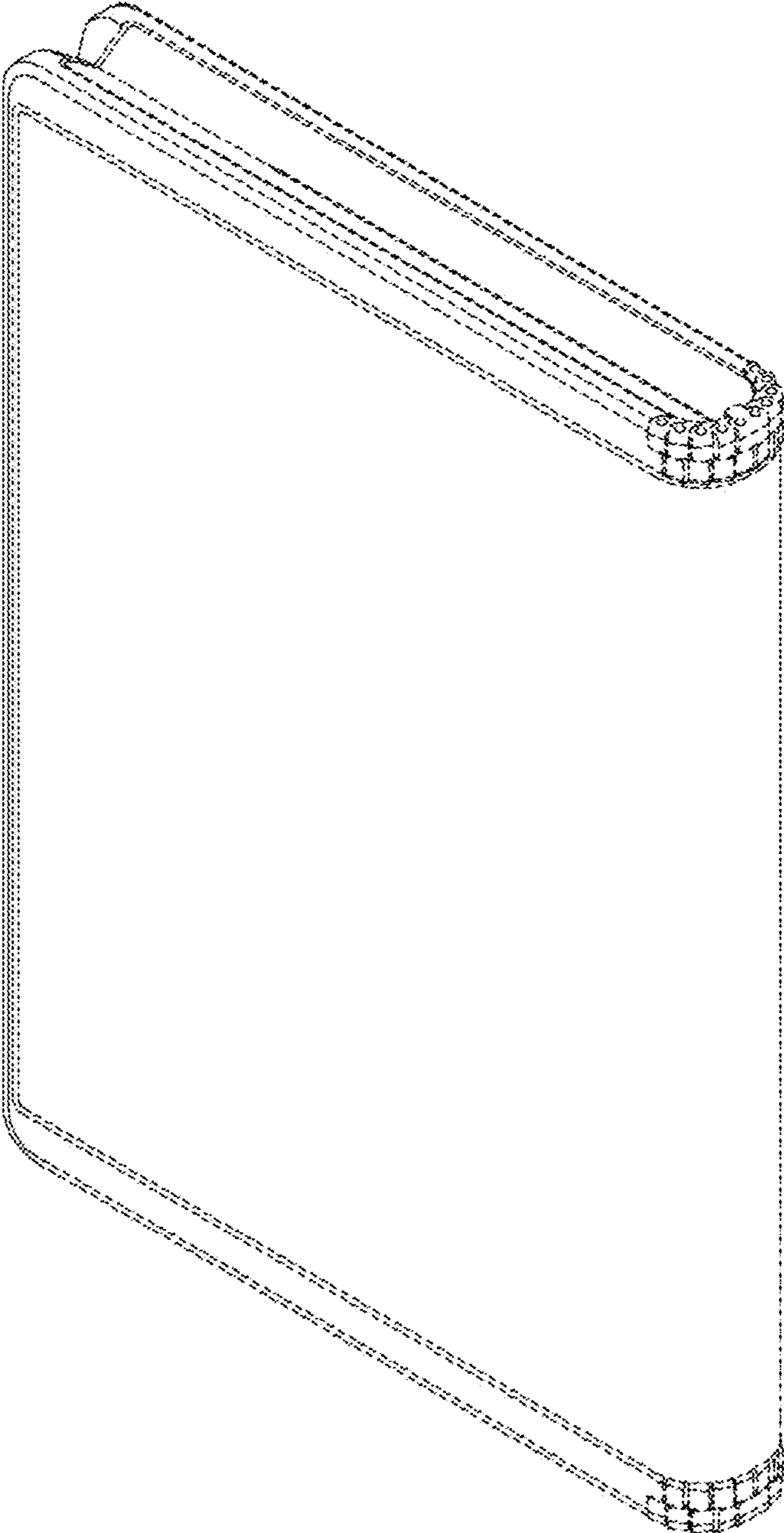


FIG. 2



FIG. 3

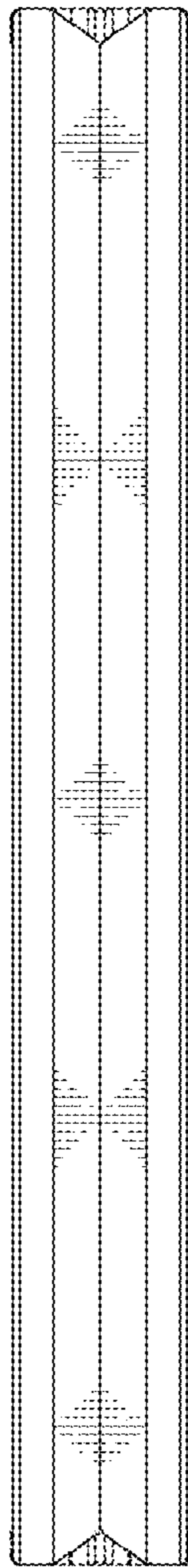


FIG. 4

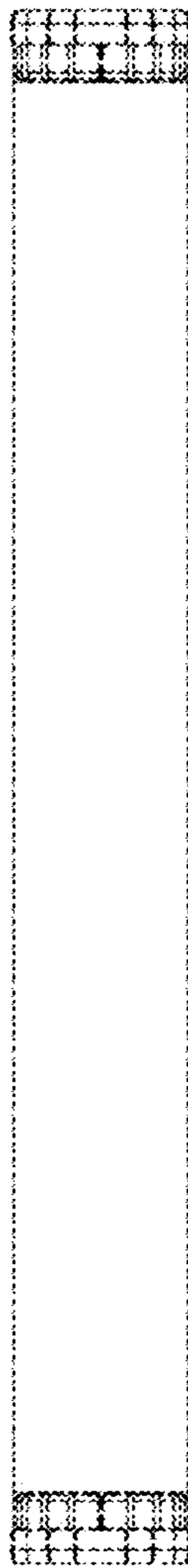


FIG. 5

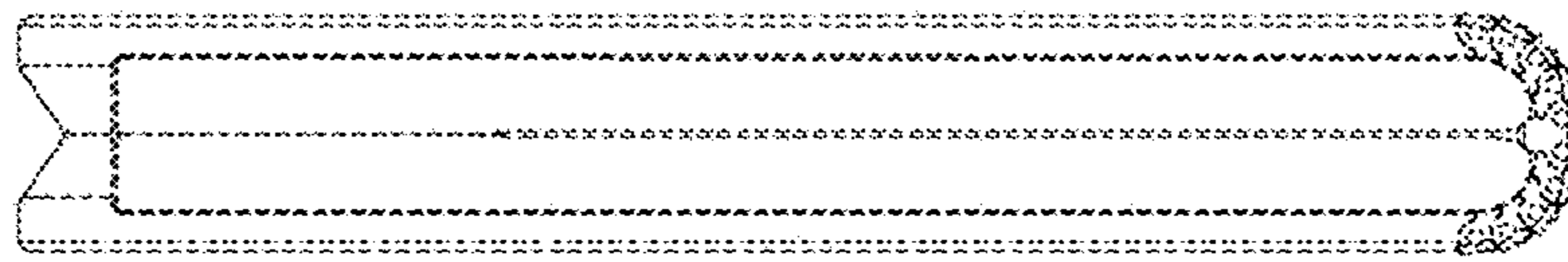


FIG. 6

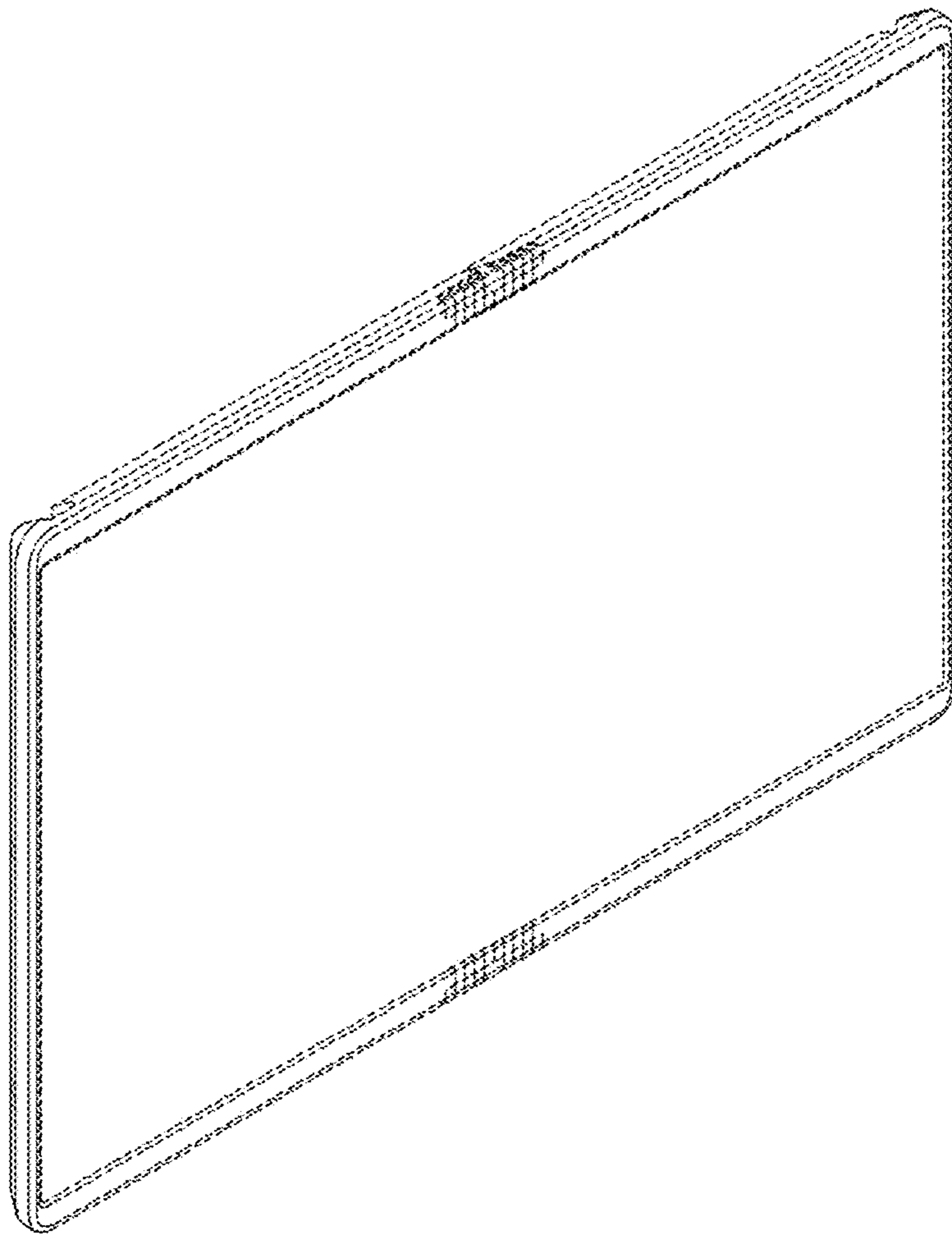




FIG. 7

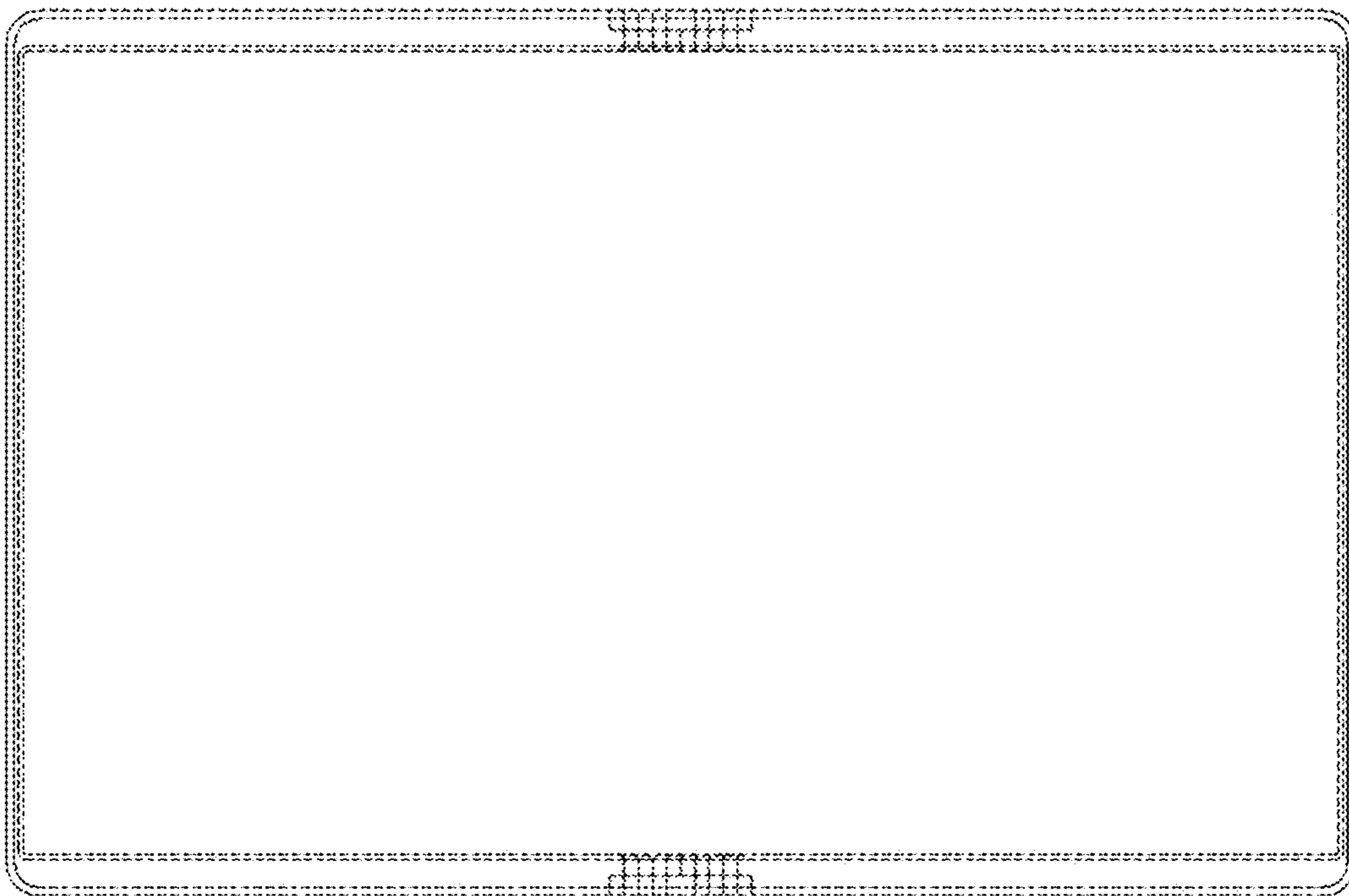


FIG. 8

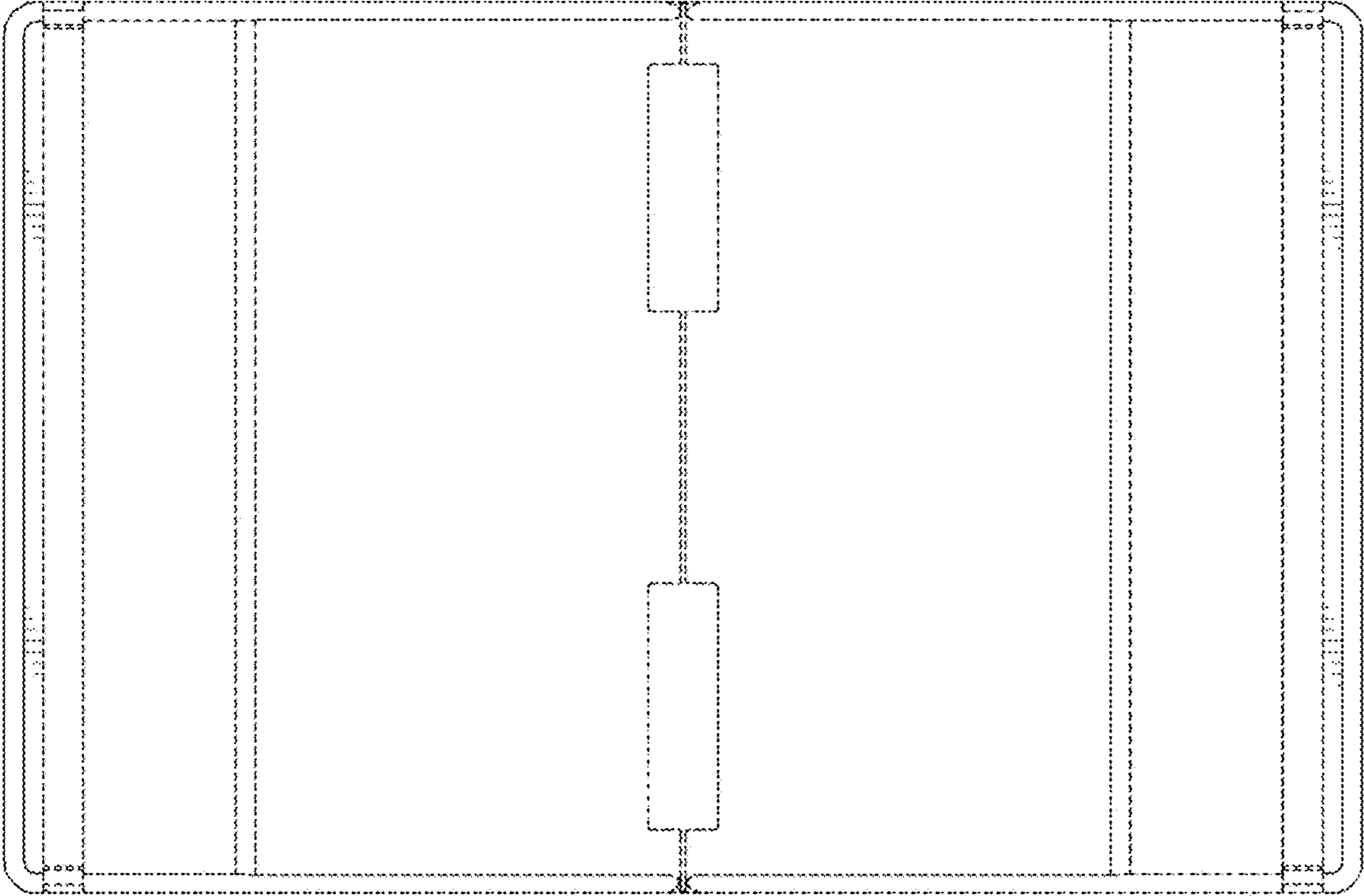


FIG. 9

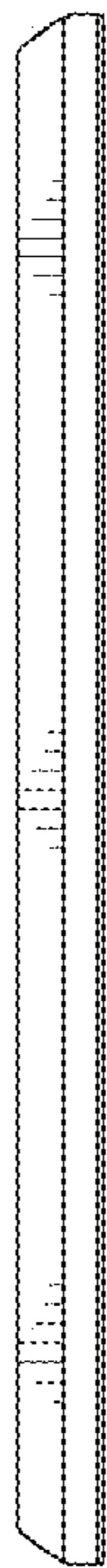


FIG. 10



FIG. 11

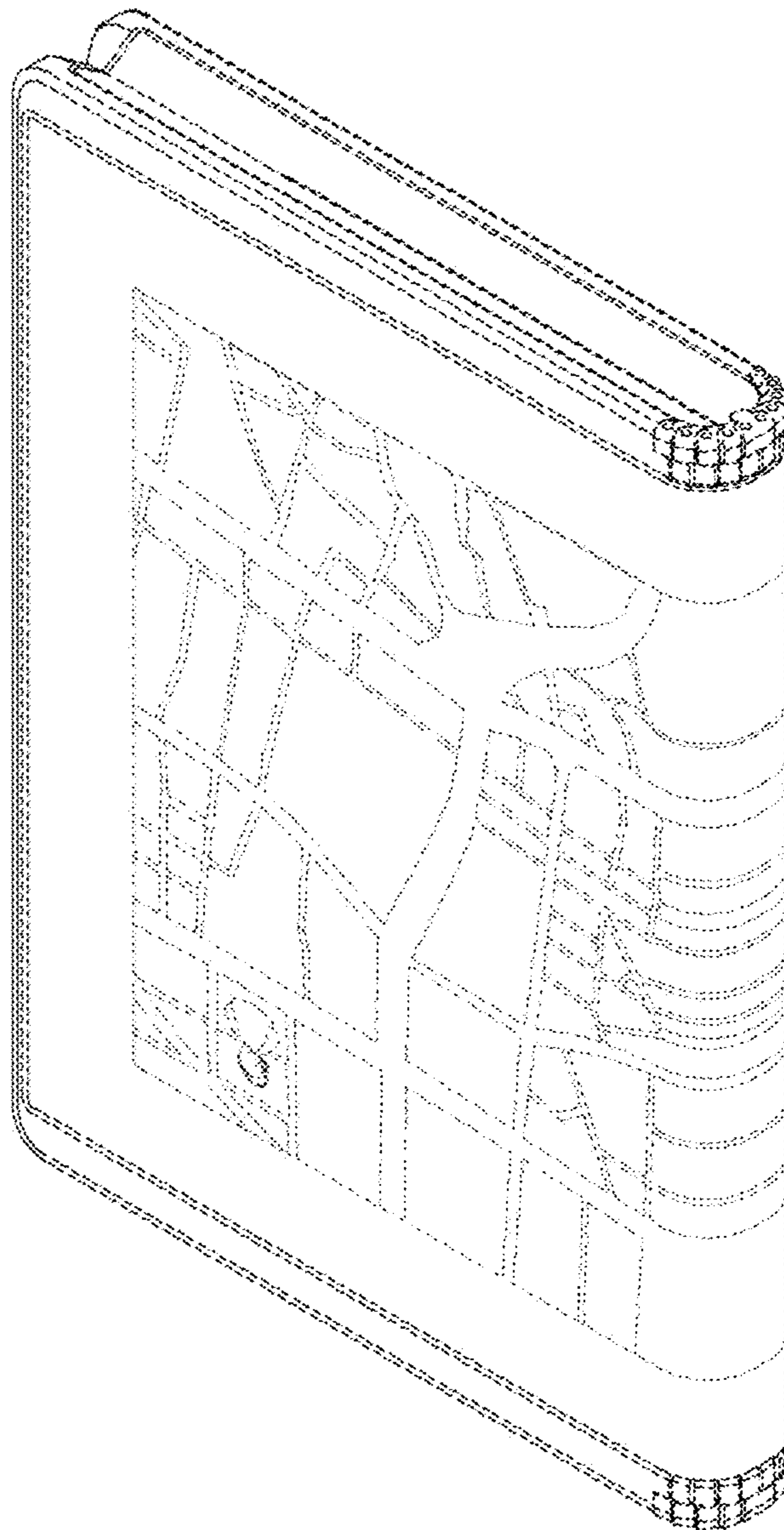


FIG. 12

