



US00D988316S

(12) **United States Design Patent**  
**Gao**

(10) **Patent No.:** **US D988,316 S**  
(45) **Date of Patent:** **\*\* Jun. 6, 2023**

(54) **SMART WATCH**

(71) Applicant: **Shenzhen Yawell Intelligent Technology Co., Ltd., Shenzhen (CN)**

(72) Inventor: **Jinfeng Gao, Xiaogan (CN)**

(73) Assignee: **Shenzhen Yawell Intelligent Technology Co., Ltd., Shenzhen (CN)**

(\*\*) Term: **15 Years**

(21) Appl. No.: **29/885,104**

(22) Filed: **Feb. 20, 2023**

(30) **Foreign Application Priority Data**

Feb. 10, 2023 (CN) ..... 202330042062.9

(51) **LOC (14) Cl.** ..... **14-02**

(52) **U.S. Cl.**  
USPC ..... **D14/344**

(58) **Field of Classification Search**

USPC .... D14/138 R, 344; D10/30, 31, 32, 38, 70;  
D11/3; D24/167

CPC ... A44C 5/0007; A44C 5/0015; A44C 5/0046;  
A44C 5/0053; A44C 5/2052; A44C  
5/2071; G04G 17/00; G04G 17/045;  
G04G 17/08; G04G 17/083; G04G 21/00;  
G04G 21/02; G04G 21/025; G04G 21/06;  
G04G 21/08; G04G 99/006; G06F 1/163

See application file for complete search history.

(56) **References Cited**

**U.S. PATENT DOCUMENTS**

D443,530 S \* 6/2001 Mann ..... D10/31  
D768,623 S \* 10/2016 Zou ..... D10/70  
D823,853 S \* 7/2018 Yoshimoto ..... D14/344  
D828,833 S \* 9/2018 Zhang ..... D14/344  
D836,466 S \* 12/2018 Shi ..... D14/344  
10,345,869 B2 \* 7/2019 Robinson ..... G06F 1/163

10,353,430 B2 \* 7/2019 Kim ..... G04G 21/08  
D858,311 S \* 9/2019 Zhang ..... D10/30  
D860,988 S \* 9/2019 Haapakoski ..... D14/344  
D874,298 S \* 2/2020 Xie ..... D14/344  
D894,179 S \* 8/2020 Chung ..... D14/344  
D901,492 S \* 11/2020 Gao ..... D14/344  
D910,011 S \* 2/2021 Vandenbussche et al.  
D918,059 S \* 5/2021 Wang ..... D14/344  
D923,004 S \* 6/2021 Gao ..... D14/344  
D927,485 S \* 8/2021 Wu ..... D14/344  
D933,065 S \* 10/2021 Hong ..... D14/344  
D960,153 S \* 8/2022 Wu ..... D14/344  
D962,931 S \* 9/2022 He ..... D14/344  
D973,656 S \* 12/2022 Chung ..... D14/344  
D981,400 S \* 3/2023 King ..... D14/344  
D981,402 S \* 3/2023 King ..... D14/344  
D981,403 S \* 3/2023 Chao ..... D14/344

(Continued)

*Primary Examiner* — Carla J Wright

(57) **CLAIM**

The ornamental design for a smart watch, as shown and described.

**DESCRIPTION**

FIG. 1 is a front perspective view of a smart watch, showing my new design;

FIG. 2 is a rear perspective view thereof;

FIG. 3 is a front view thereof;

FIG. 4 is a rear view thereof;

FIG. 5 is a left side view thereof;

FIG. 6 is a right side view thereof;

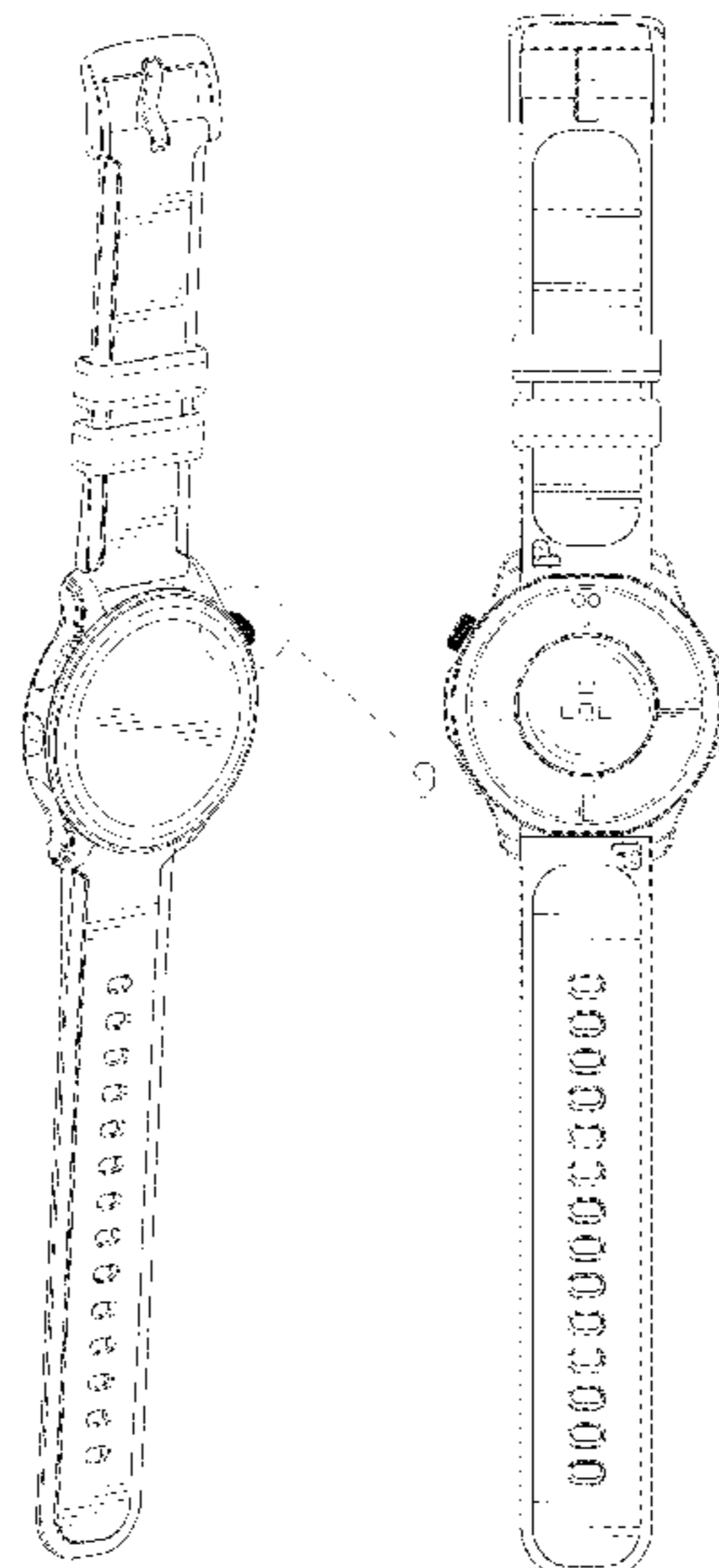
FIG. 7 is a top plan view thereof shown on an enlarged scale for clarity of disclosure;

FIG. 8 is a bottom plan view thereof shown on an enlarged scale for clarity of disclosure; and,

FIG. 9 is an enlarged detail view of the encircled region of FIG. 1.

The broken lines in FIGS. 1 and 9 delineate the region of FIG. 1 that is shown on an enlarged scale in FIG. 9.

**1 Claim, 9 Drawing Sheets**



(56)

**References Cited**

U.S. PATENT DOCUMENTS

2009/0274015 A1\* 11/2009 Sun ..... A44C 5/0053  
368/282  
2018/0132574 A1\* 5/2018 Rittenhouse ..... A44C 5/0053  
2018/0348822 A1\* 12/2018 Hiraide ..... G06F 3/0393  
2022/0035317 A1\* 2/2022 Porter ..... G04G 21/08

\* cited by examiner

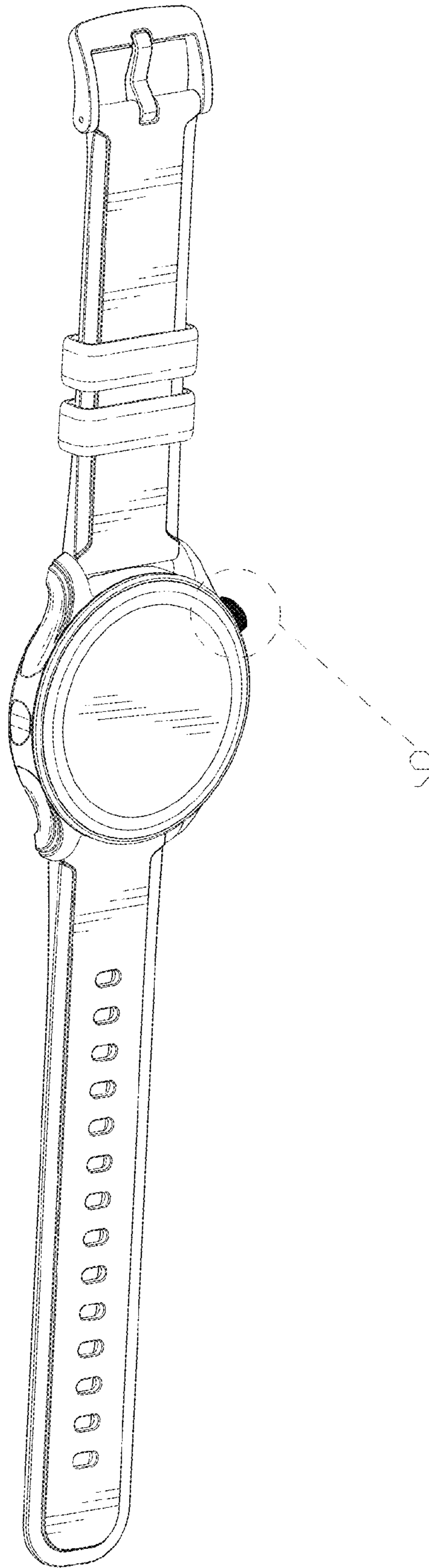


FIG. 1

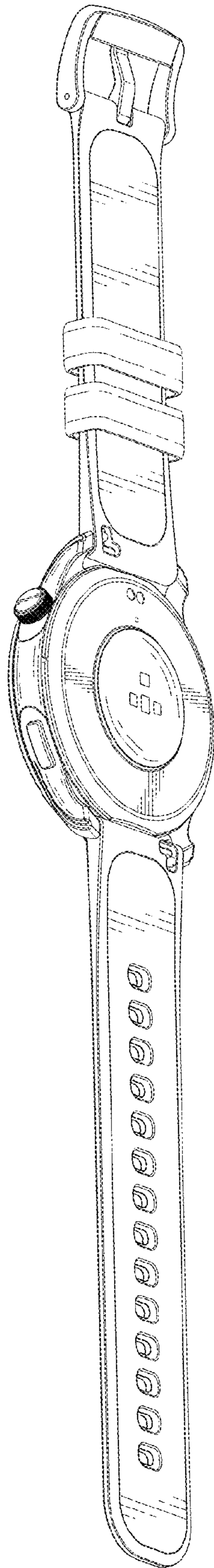


FIG. 2

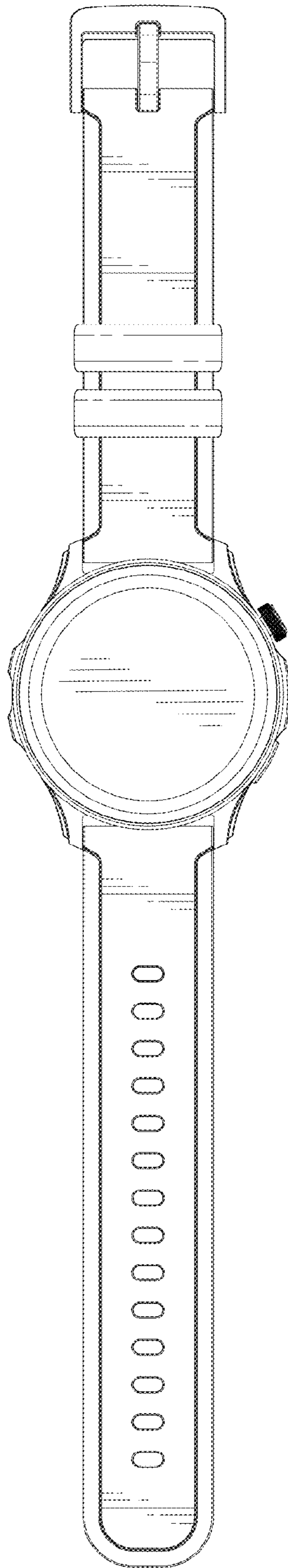


FIG. 3

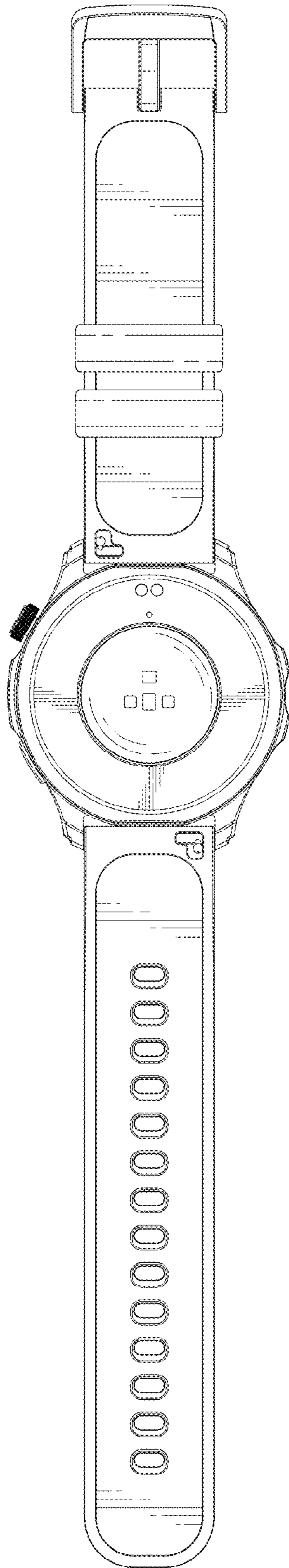


FIG. 4

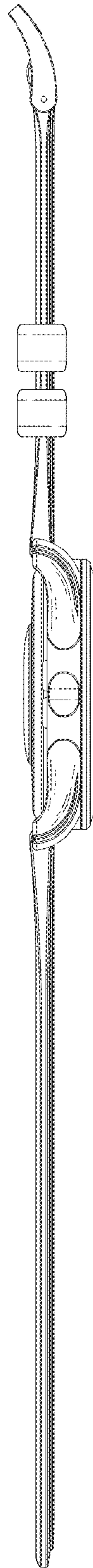


FIG. 5

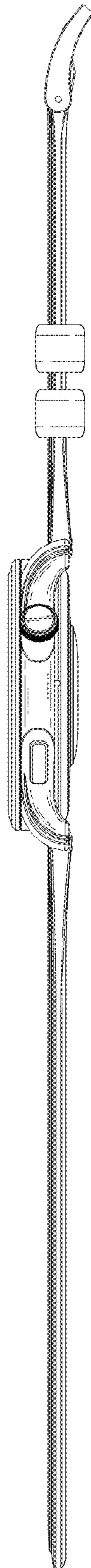


FIG. 6



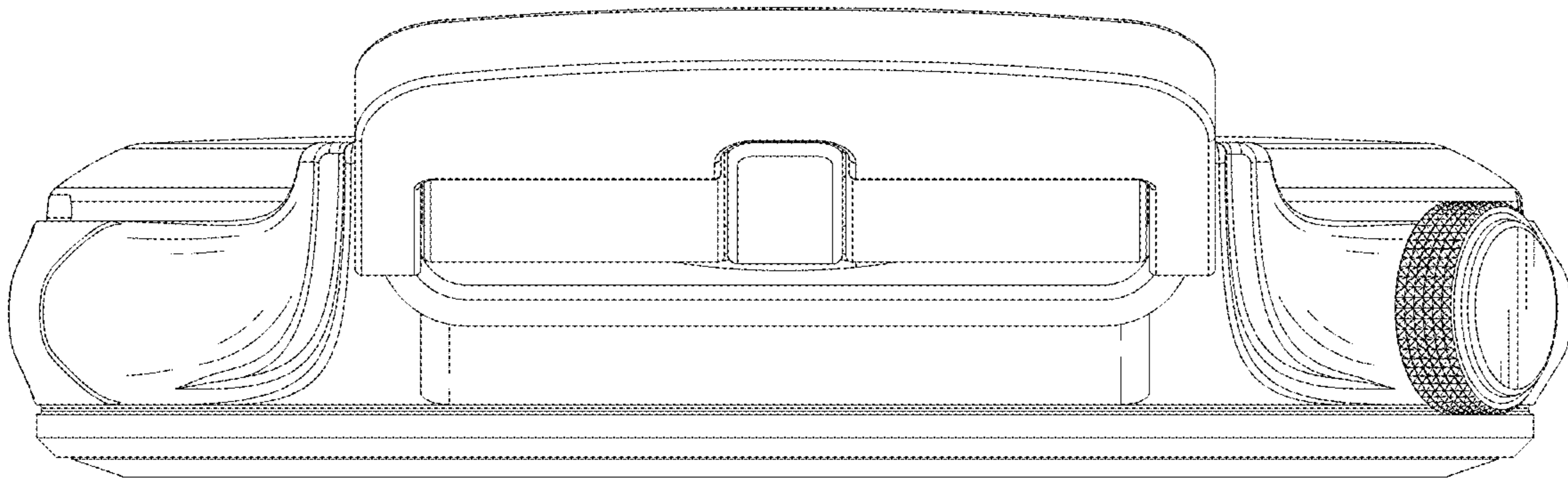


FIG. 7

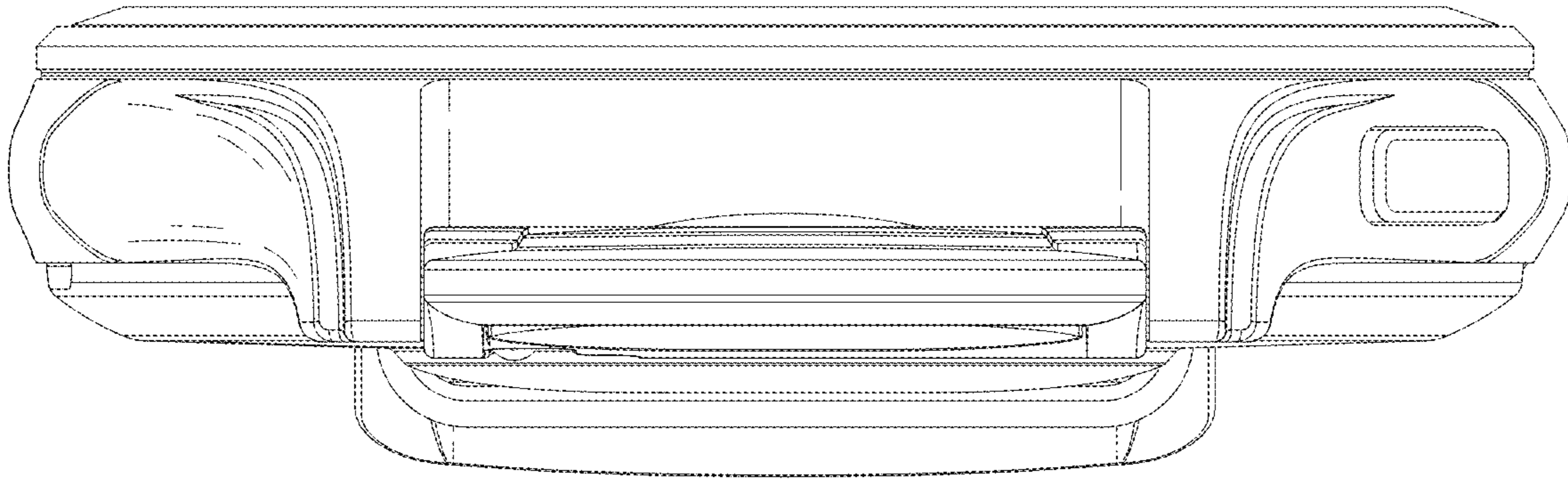


FIG. 8

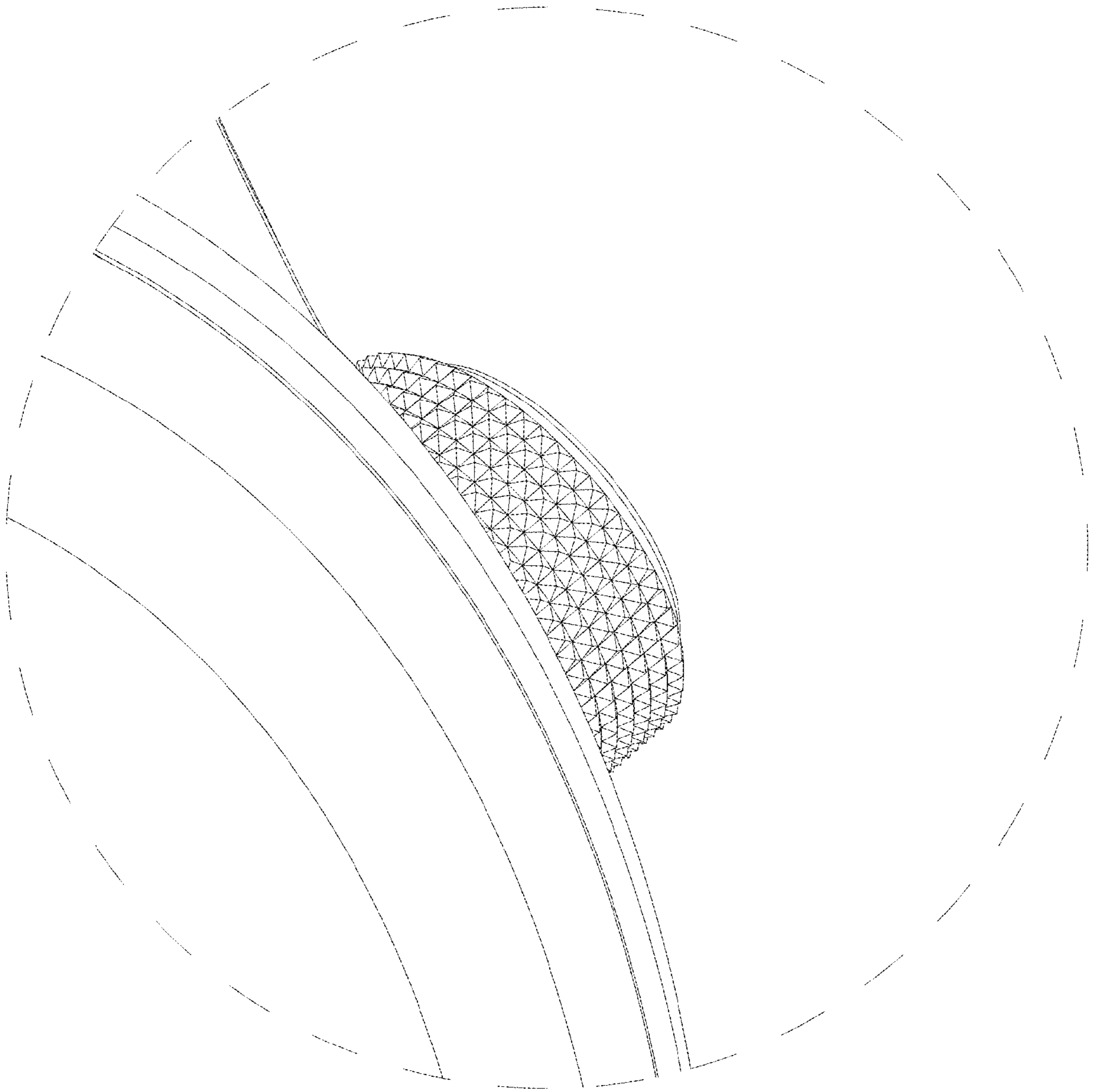


FIG. 9