



US00D988314S

(12) **United States Design Patent**
He et al.

(10) **Patent No.:** **US D988,314 S**
(45) **Date of Patent:** **** Jun. 6, 2023**

(54) **SMART WATCH**

OTHER PUBLICATIONS

(71) Applicant: **Shenzhen Do Intelligent Technology Co., Ltd.**, Guangdong (CN)

Adapt Watch, No Announcement Date [online], retrieved on Oct. 26, 2022, retrieved from internet, <https://adaptwatch.com/products/adaptwatchpro?currency=USD&variant=41188064198852>.*

(72) Inventors: **An He**, Guangdong (CN); **Yanjun Xie**, Guangdong (CN)

(Continued)

(73) Assignee: **SHENZHEN DO INTELLIGENT TECHNOLOGY CO., LTD.**, Guangdong (CN)

Primary Examiner — Barbara Fox

Assistant Examiner — Noah Perez

(74) *Attorney, Agent, or Firm* — Servilla Whitney LLC

(**) Term: **15 Years**

(57) **CLAIM**

The ornamental design for a smart watch, substantially as shown and described.

(21) Appl. No.: **29/763,834**

DESCRIPTION

(22) Filed: **Dec. 24, 2020**

(30) **Foreign Application Priority Data**

Nov. 11, 2020 (CN) 202030682044.3

(51) **LOC (14) Cl.** **14-02**

(52) **U.S. Cl.**
USPC **D14/344**

(58) **Field of Classification Search**
USPC D5/56, 59–60, 99; D10/30–39, 70, 98,
D10/1–2, 5, 10, 14–15, 21, 30–41;
(Continued)

FIG. 1 is a front and right side perspective view of a smart watch showing the new design;

FIG. 2 is a rear and right side perspective view of the smart watch of FIG. 1;

FIG. 3 is a front elevational view of the smart watch of FIG. 1;

FIG. 4 is a rear elevational view of the smart watch of FIG. 1;

FIG. 5 is a left side elevational view of the smart watch of FIG. 1;

FIG. 6 is a right side elevational view of the smart watch of FIG. 1;

FIG. 7 is a top plan view of the smart watch of FIG. 1;

FIG. 8 is a bottom plan view of the smart watch of FIG. 1;

FIG. 9 is a partial enlarged view of the smart watch of FIG. 1; and,

FIG. 10 is a partial enlarged view of the smart watch of FIG. 4.

The broken lines shown in the drawings represent portions of the smart watch that form no part of the claimed design. The dot-dash broken lines encircling portions of the smart watch in FIGS. 1 and 4 and illustrated in enlarged views in FIGS. 9 and 10 form no part of the claimed design.

(56) **References Cited**

U.S. PATENT DOCUMENTS

D757,722 S * 5/2016 Akana D10/70
D758,219 S * 6/2016 Akana D10/70

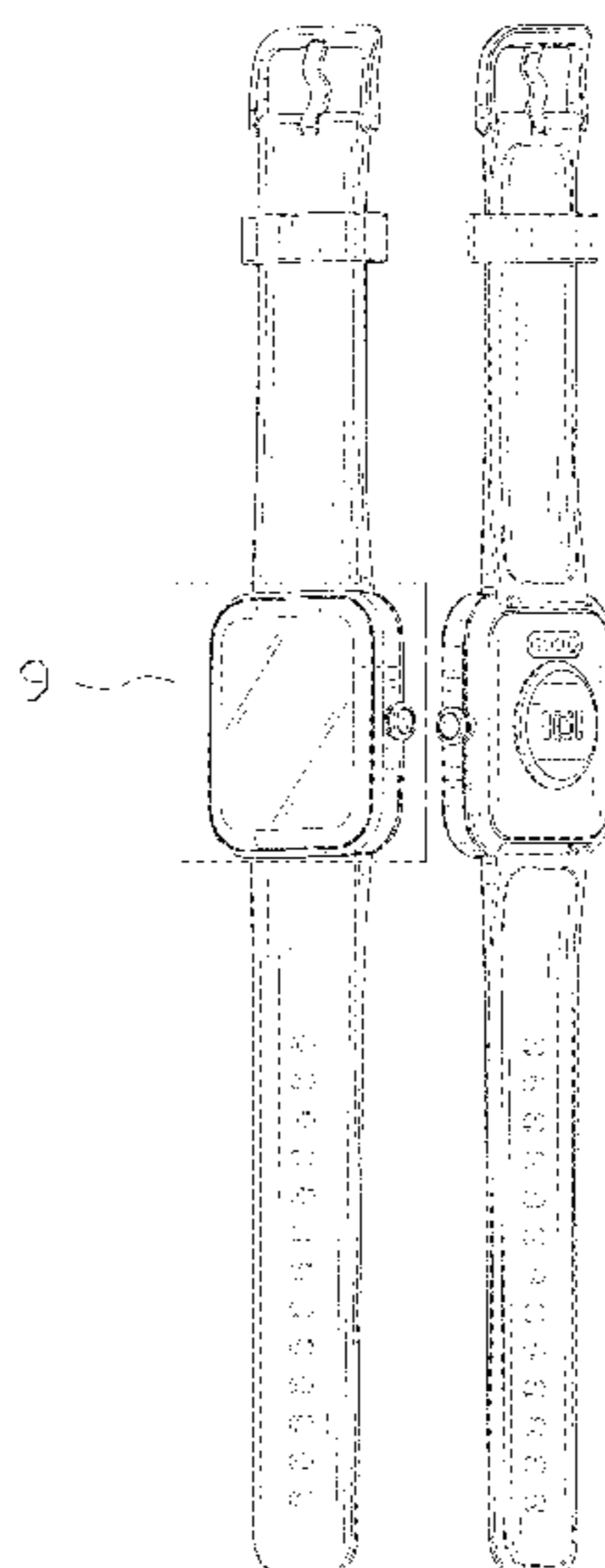
(Continued)

FOREIGN PATENT DOCUMENTS

CN 306548984 * 5/2021
IN 340797-001-0001 * 5/2021

(Continued)

1 Claim, 10 Drawing Sheets



(58) **Field of Classification Search**

USPC D11/3, 4, 5, 8, 26, 93–94, 78.1, 79, 86,
D11/99; D14/138 R, 144, 341, 344, 358,
D14/388, 218; D24/167, 186–190, 164,
D24/169

CPC A41D 1/002; A41D 19/0034; G04G 17/00;
G04G 17/02; G04G 17/08; G04G 17/083;
G04G 17/086; G04G 17/005; G04G
13/028; G04G 11/00; G04G 9/00; G04C
3/00; G04C 3/001; G04C 3/002; G04C
3/004; G04C 3/005; G04C 3/007; G04C
23/02; G04C 23/04; G04C 17/00; G04B
3/04; G04B 19/24; G04B 19/26; G04B
37/00; G04B 45/0069; G04B 47/04;
G04B 37/0008; G04B 27/0058; G04B
37/12; G04B 37/18; G04B 45/00; G04B
47/00; G04B 47/042; G04B 47/06; G04B
47/063; G04B 19/00; G04B 19/04; G04F
7/06; G04F 7/062; G04F 7/065; G04F
7/067; G04F 8/00; G04F 8/006; A44C
5/00; A44C 5/0007; A44C 5/0053; A44C
5/10; A44C 5/14

See application file for complete search history.

(56) **References Cited**

U.S. PATENT DOCUMENTS

D759,725 S * 6/2016 Akana D14/496
D761,793 S * 7/2016 Akana D10/70
D771,035 S * 11/2016 Akana D14/344
D771,036 S * 11/2016 Akana D14/344
D771,037 S * 11/2016 Akana D14/344
D777,163 S * 1/2017 Akana D14/344
D781,853 S * 3/2017 Akana D14/344
D805,513 S * 12/2017 Akana D14/344
D816,524 S * 5/2018 Akana D10/126
D828,352 S * 9/2018 Akana D14/344
D828,835 S * 9/2018 Akana D14/344
D834,446 S * 11/2018 Akana D11/94
D837,082 S * 1/2019 Akana D11/3
D837,206 S * 1/2019 Guan D14/344
D839,753 S * 2/2019 Domke D10/30
D855,813 S * 8/2019 Hu D10/70
D866,350 S * 11/2019 Park D14/344
D867,179 S * 11/2019 Akana D10/70
D869,322 S * 12/2019 Akana D11/3
D875,576 S * 2/2020 Akana D10/70
D876,244 S * 2/2020 Park D10/32

D879,628 S * 3/2020 Akana D10/70
D882,563 S * 4/2020 Akana D14/344
D883,977 S * 5/2020 Akana D14/344
D889,459 S * 7/2020 Zhang D14/344
D891,425 S * 7/2020 Lin D10/70
D901,493 S * 11/2020 Gao D14/344
D909,369 S * 2/2021 Wu D14/344
D910,617 S * 2/2021 Vandenbussche D14/344
D912,665 S * 3/2021 Zhang D14/344
D916,699 S * 4/2021 Akana D14/344
D923,622 S * 6/2021 Akana D14/344
D934,860 S * 11/2021 King D14/344
D937,701 S * 12/2021 Akana D11/3
D939,372 S * 12/2021 Akana D10/128
D940,583 S * 1/2022 Akana D11/5
D942,277 S * 2/2022 Akana D10/32
D946,444 S * 3/2022 Akana D10/122
D947,053 S * 3/2022 Akana D10/122
D947,692 S * 4/2022 Akana D10/70
D948,358 S * 4/2022 Akana D10/70
D954,702 S * 6/2022 Park D14/344
D963,639 S * 9/2022 Zhang D14/344

FOREIGN PATENT DOCUMENTS

JP D1723175 * 8/2022
JP D1725095 * 9/2022
JP D1725231 * 9/2022

OTHER PUBLICATIONS

Indiamart, No Announcement Date [online], retrieved on Sep. 20, 2022, retrieved from internet, <https://www.indiamart.com/proddetail/square-smartwatch-20472030497.html>.
Motast—Amazon, Announced on May 18, 2021 [online], retrieved on Sep. 20, 2022, retrieved from internet, <https://www.amazon.com/Watches-Smartwatch-Waterproof-Pedometer-Activity/dp/B0956XD8Y7?th=1> (Year: 2021).
Nemheng—Amazon, Announced on Dec. 31, 2021 [online], retrieved on Sep. 20, 2022, retrieved from internet, https://www.amazon.com/dp/B09P4ZFPYL/ref=sspa_dk_detail_0?pd_rd_i=B09P4ZFPYL (Year: 2021).
Space and Co, No Announcement Date [online], retrieved on Sep. 20, 2022, retrieved from internet, <https://spadeandco.com/products/health-smartwatch-2>.
Flipkart, Earliest Review on Jul. 2019 [online], Retrieved on Sep. 20, 2022, retrieved from internet, <https://www.flipkart.com/roboster-a1-square-shape-hd-camera-support-smartwatch/product-reviews/itm8e3e799725568?pid=SMWFEH2Y7ETRQKDN&lid=LSTSMWFEH2Y7ETRQKDNQUA7T&marketplace=FLIPKART> (Year: 2019).

* cited by examiner

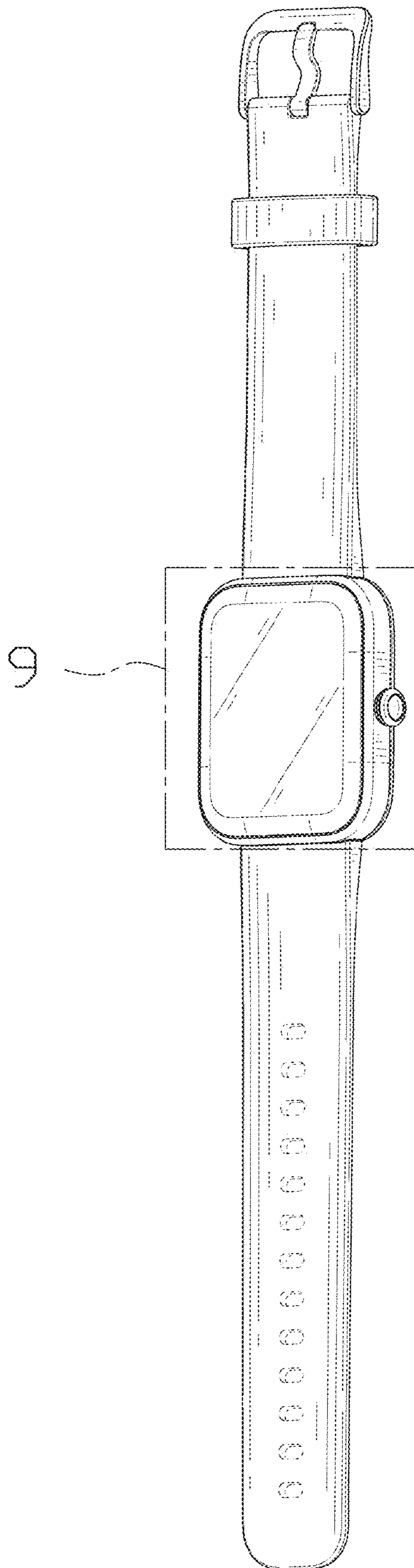


FIG. 1

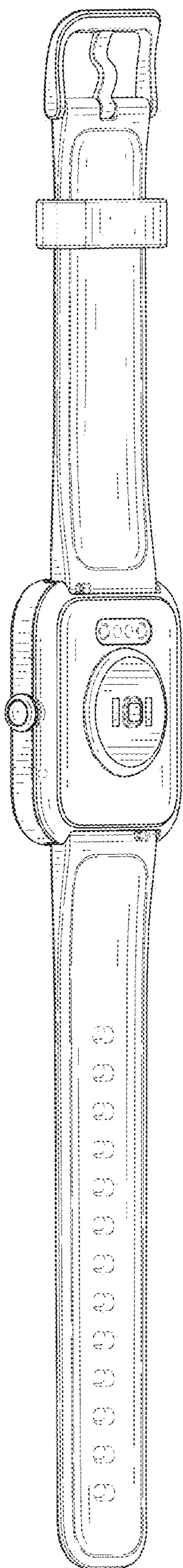


FIG. 2

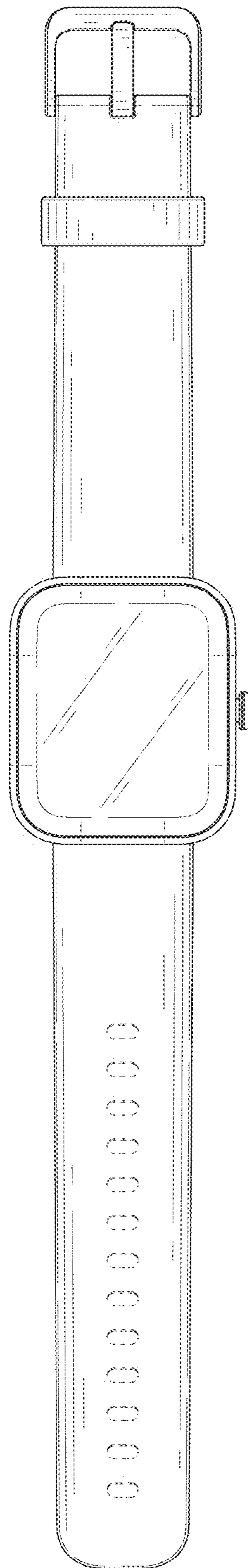


FIG. 3

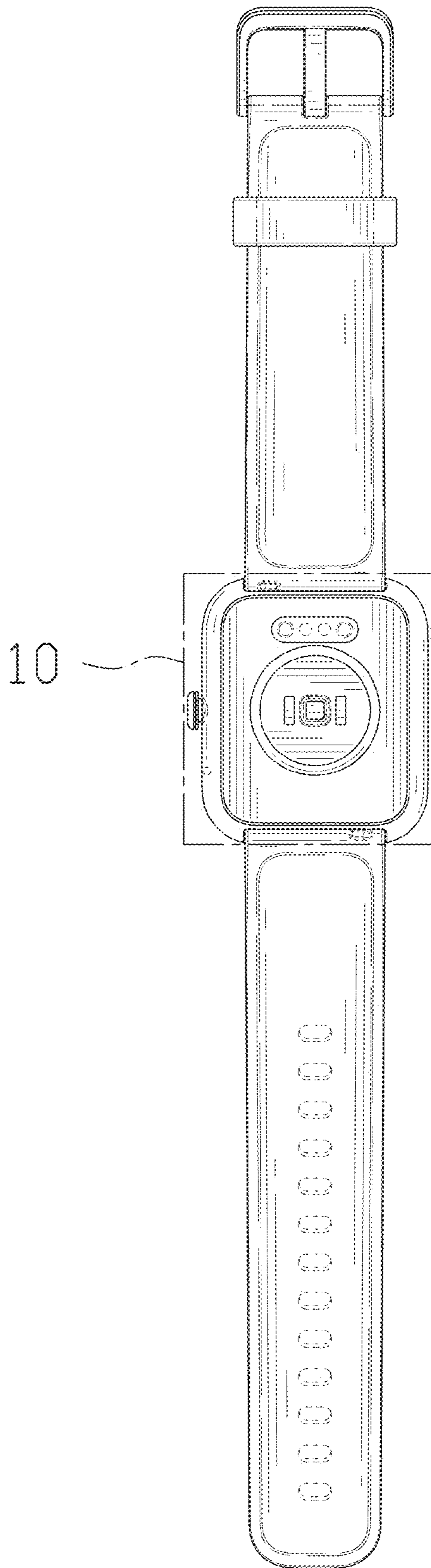


FIG. 4

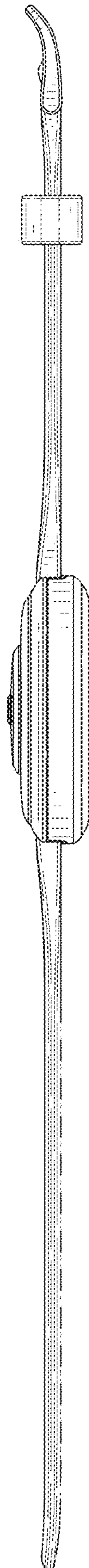


FIG. 5

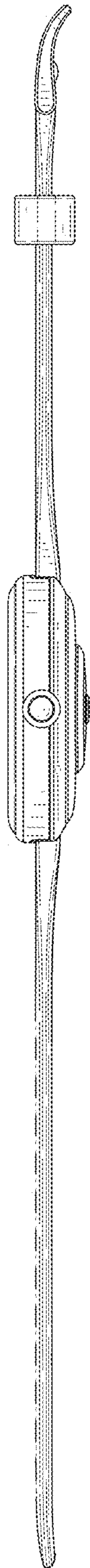


FIG. 6

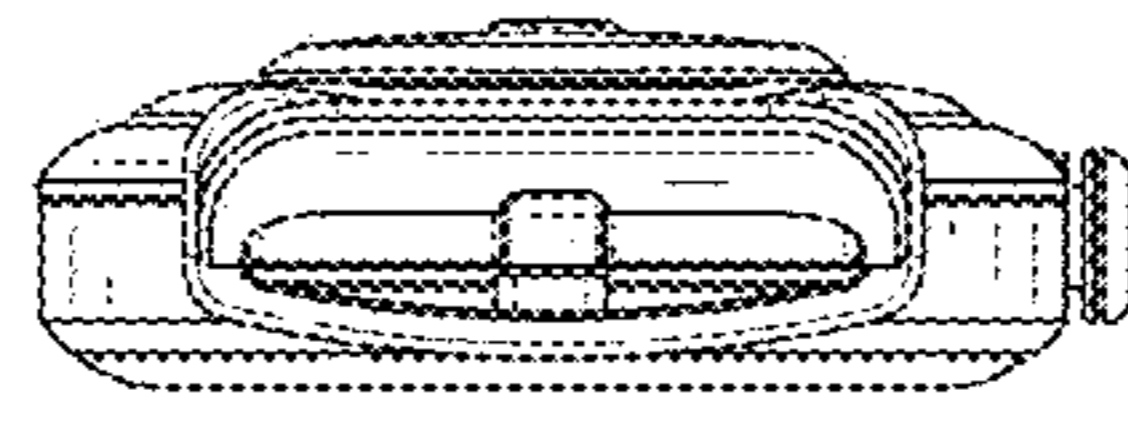


FIG. 7



FIG. 8

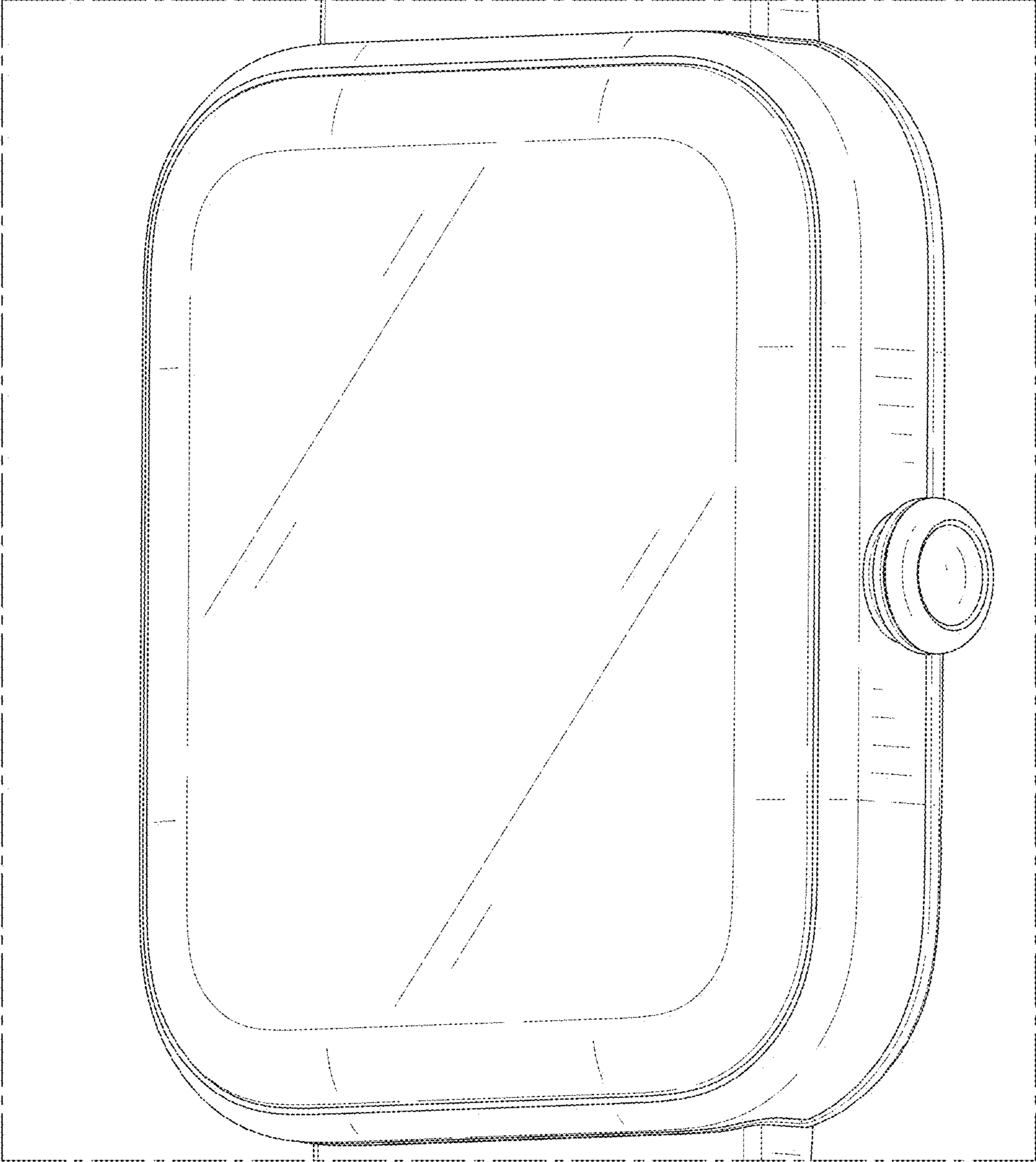


FIG. 9

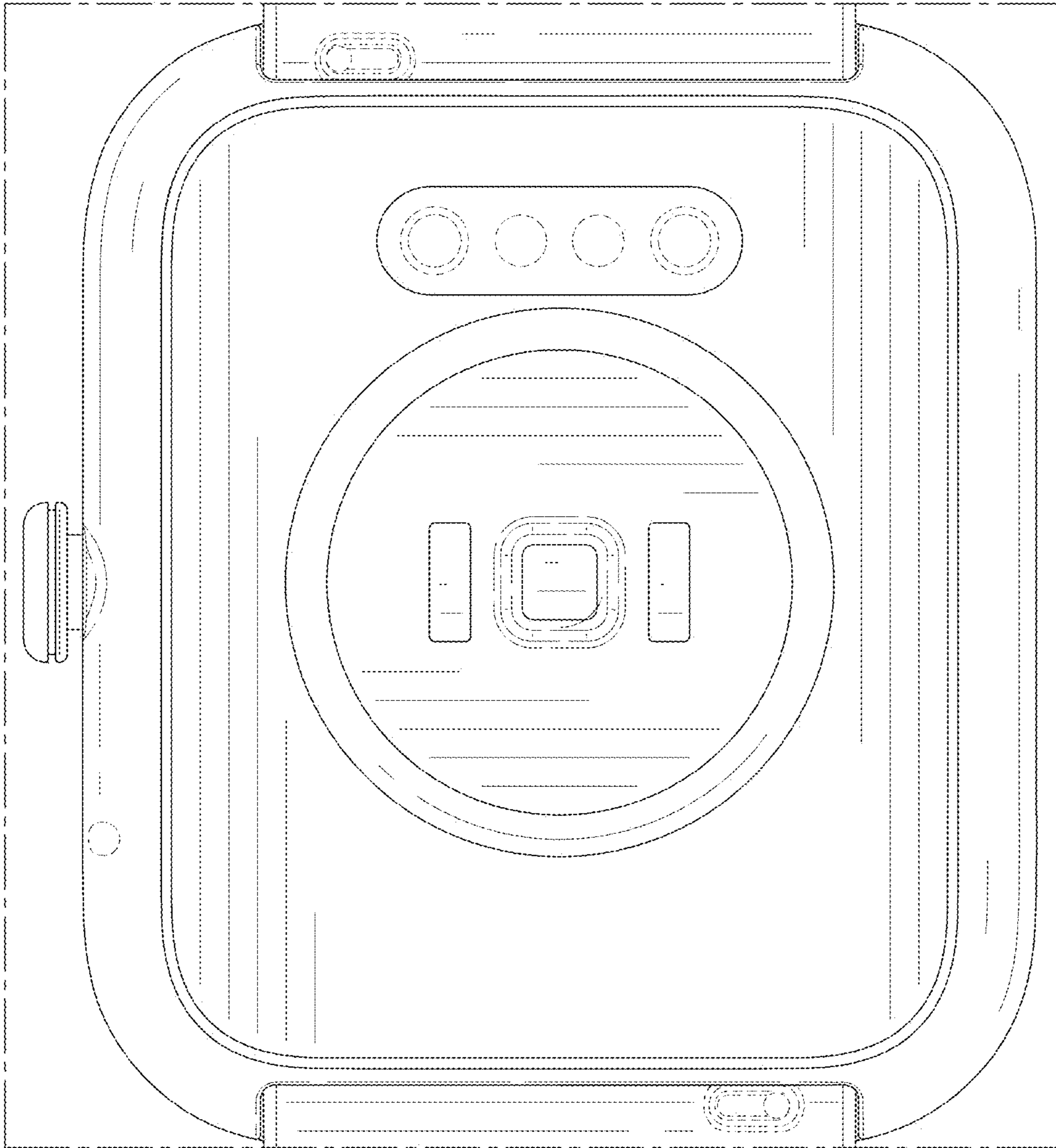


FIG. 10