



US00D988309S

(12) **United States Design Patent** (10) **Patent No.:** **US D988,309 S**
Kunishi (45) **Date of Patent:** **** Jun. 6, 2023**

(54) **DATA PROCESSING DEVICE**

(71) Applicant: **Interface Corporation**, Hiroshima (JP)

(72) Inventor: **Takeshi Kunishi**, Hiroshima (JP)

(**) Term: **15 Years**

(21) Appl. No.: **35/513,800**

(22) Filed: **Sep. 7, 2021**

(80) **Hague Agreement Data**

Int. Filing Date: **Sep. 7, 2021**

Int. Reg. No.: **DM/218792**

Int. Reg. Date: **Sep. 7, 2021**

Int. Reg. Pub. Date: **Mar. 11, 2022**

(30) **Foreign Application Priority Data**

Mar. 8, 2021 (JP) 2021-004735

(51) **LOC (14) Cl.** **14-02**

(52) **U.S. Cl.**
USPC **D14/300**; D13/184

(58) **Field of Classification Search**
USPC D14/300-302, 305-314, 348-350,
D14/352-359, 432-435.1, 439, 441, 443,
D14/140.2, 140.3, 230, 257; D13/133,
D13/184

CPC G06F 1/16; G06F 1/1601; G06F 1/1613;
G06F 1/18; G06F 1/20; G06F 1/181;
G06F 1/182; G06F 1/183; G06F 1/189;
G06F 1/184; G06F 1/185; G06F 1/186;
G06F 1/187; G06F 1/188; G06F 1/26;
H05K 5/00; H05K 5/0004; H05K 5/0008;
H05K 5/0013; H05K 5/0017; H05K
5/0021; H05K 5/003; H05K 5/0034;
H05K 5/0043; H05K 5/0047; H05K
5/0052; H05K 5/0056; H05K 5/0073;
H05K 5/0086; H05K 5/0091; H05K
5/0095; H05K 5/02; H05K 5/0204; H05K
5/0209; H05K 5/0213; H05K 5/0217;
H05K

(Continued)

(56) **References Cited**

U.S. PATENT DOCUMENTS

D416,232 S * 11/1999 Einck D13/160
D440,935 S * 4/2001 Stanfield D13/107

(Continued)

FOREIGN PATENT DOCUMENTS

CN 111697792 A * 9/2020

OTHER PUBLICATIONS

Baddeley, Bob, The Many Ways to Solve Your Enclosure Problems, posted at Hackaday, posting date Sep. 15, 2021. Site visited Oct. 28, 2022. URL: <<https://hackaday.com/2021/09/15/the-many-ways-to-solve-your-enclosure-problems/>> (Year: 2021).*

Primary Examiner — Kathleen L Jones

(74) *Attorney, Agent, or Firm* — Renner, Otto, Boisselle & Sklar, LLP

(57) **CLAIM**

The ornamental design for a data processing device, as shown and described.

DESCRIPTION

The file of this patent contains at least one drawing/photograph executed in color. Copies of this patent with color drawing(s)/photograph(s) will be provided by the Office upon request and payment of the necessary fee.

1. Data processing device

1.1 : Front

1.2 : Back

1.3 : Left

1.4 : Right

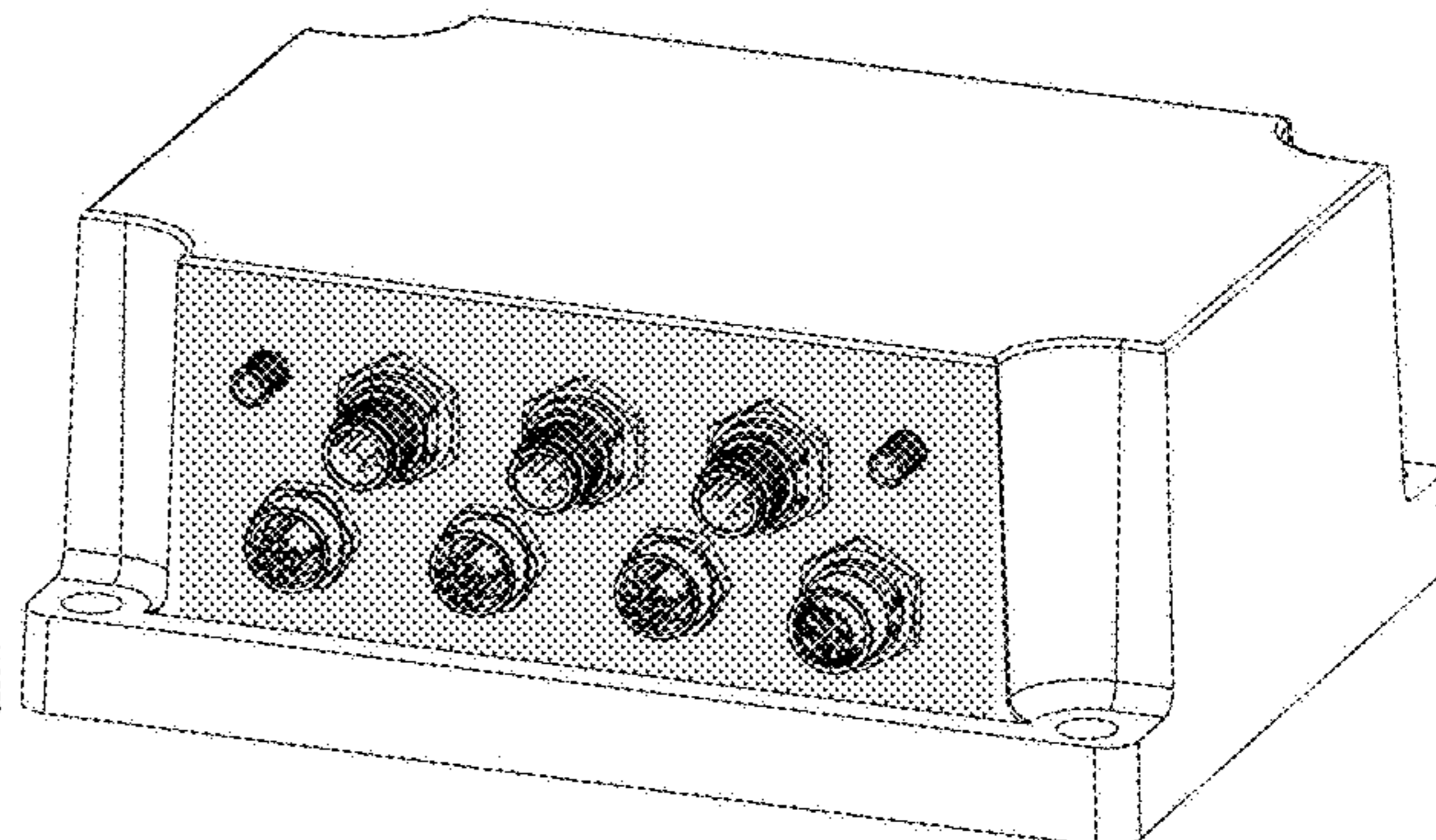
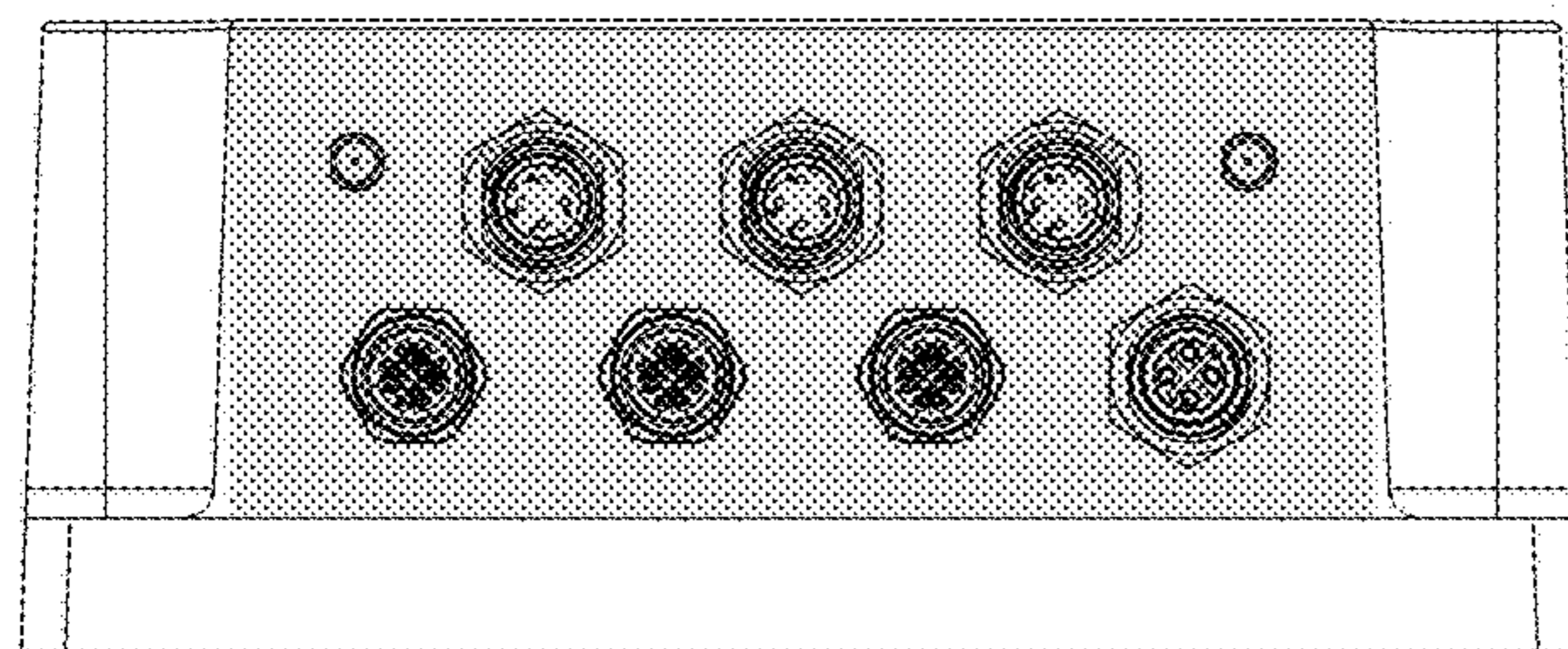
1.5 : Top

1.6 : Bottom

1.7 : Perspective

The green-colored portions form no part of the claimed design.

1 Claim, 7 Drawing Sheets
(6 of 7 Drawing Sheet(s) Filed in Color)



(58) **Field of Classification Search**

CPC .. 5/0243; H05K 5/0247; H05K 5/0256; H05K
5/0286; H05K 5/0291; H05K 5/03; H05K
5/04; H05K 7/00; H05K 7/1485; H05K
7/1487; H05K 7/20; H05K 7/14

See application file for complete search history.

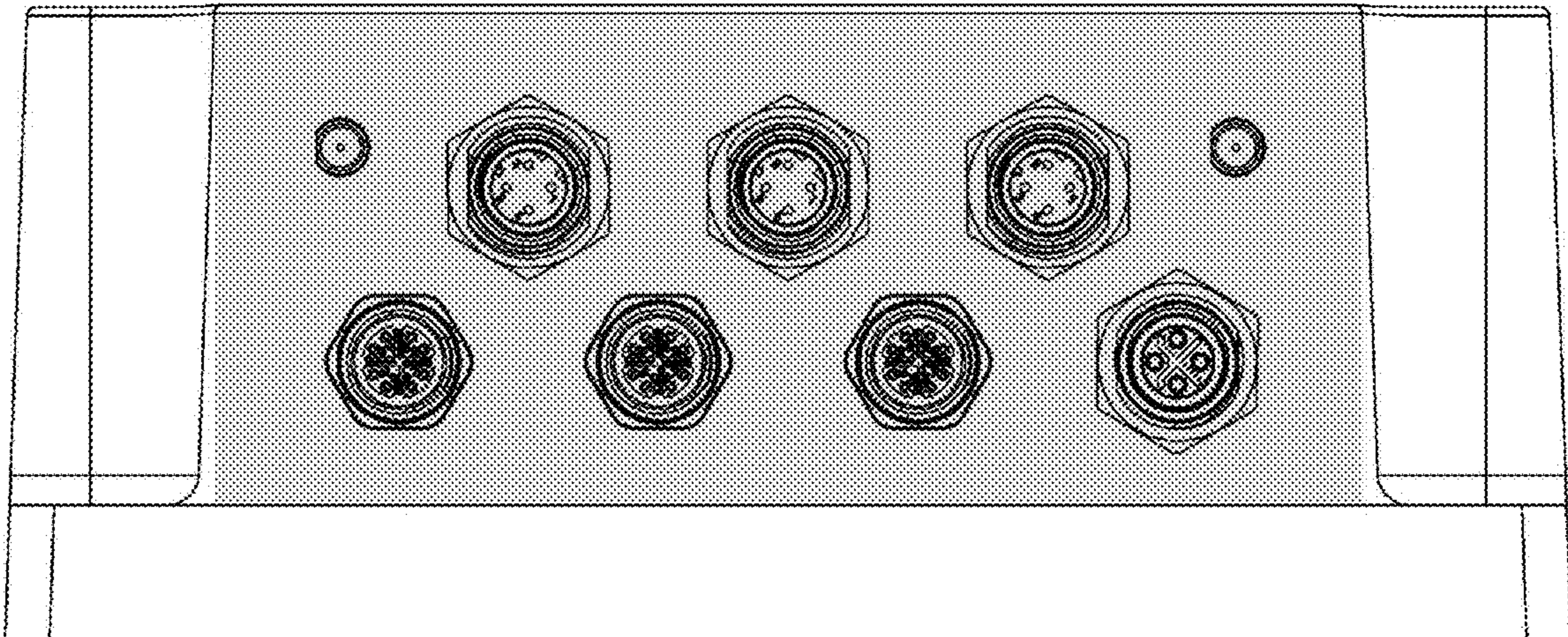
(56) **References Cited**

U.S. PATENT DOCUMENTS

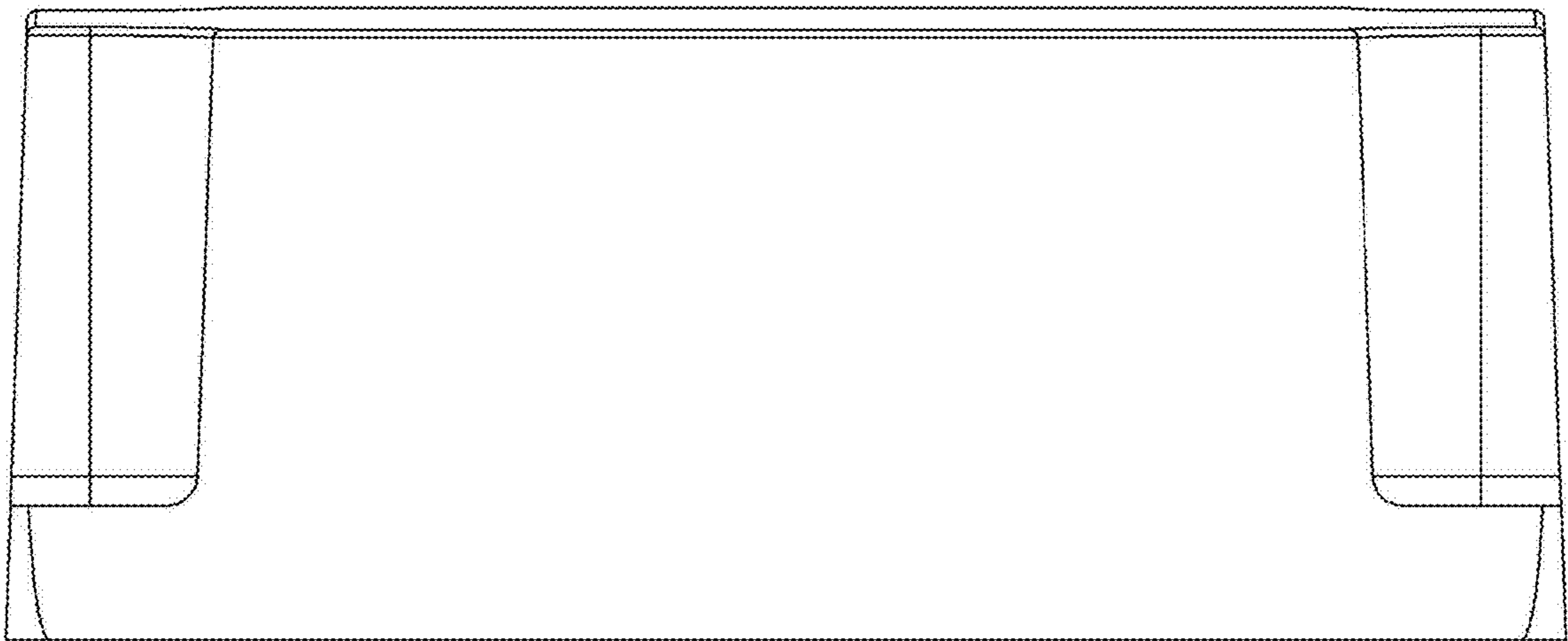
D493,453	S *	7/2004	Milan	D14/314
D600,653	S *	9/2009	Lin	D13/164
D719,115	S *	12/2014	Liu	D13/184
D768,585	S *	10/2016	Moore	D13/184
9,496,697	B1 *	11/2016	Wentworth	H02G 3/088
D796,460	S *	9/2017	Skowranek	D13/184
D801,320	S *	10/2017	Wechselberger	D14/230
10,483,729	B1 *	11/2019	Vogl	H02B 1/18
D887,366	S *	6/2020	Madathil Sankarankutty Nair	D13/152
D892,748	S *	8/2020	Madathil Sankarankutty Nair	D13/152
D917,439	S *	4/2021	Mochizuki	D14/240
D924,815	S *	7/2021	Yu	D13/184
D929,358	S *	8/2021	Peled	D10/53
D937,788	S *	12/2021	Doyle	D13/184
D937,841	S *	12/2021	MäKelä	D15/28
D956,035	S *	6/2022	Rogge	D14/240
D967,772	S *	10/2022	Katou	D13/147
2014/0168904	A1 *	6/2014	Malasani	H05K 5/0247 361/679.01
2018/0097214	A1 *	4/2018	Ogawa	H01M 50/24
2021/0337678	A1 *	10/2021	Burrell	H05K 5/0026

* cited by examiner

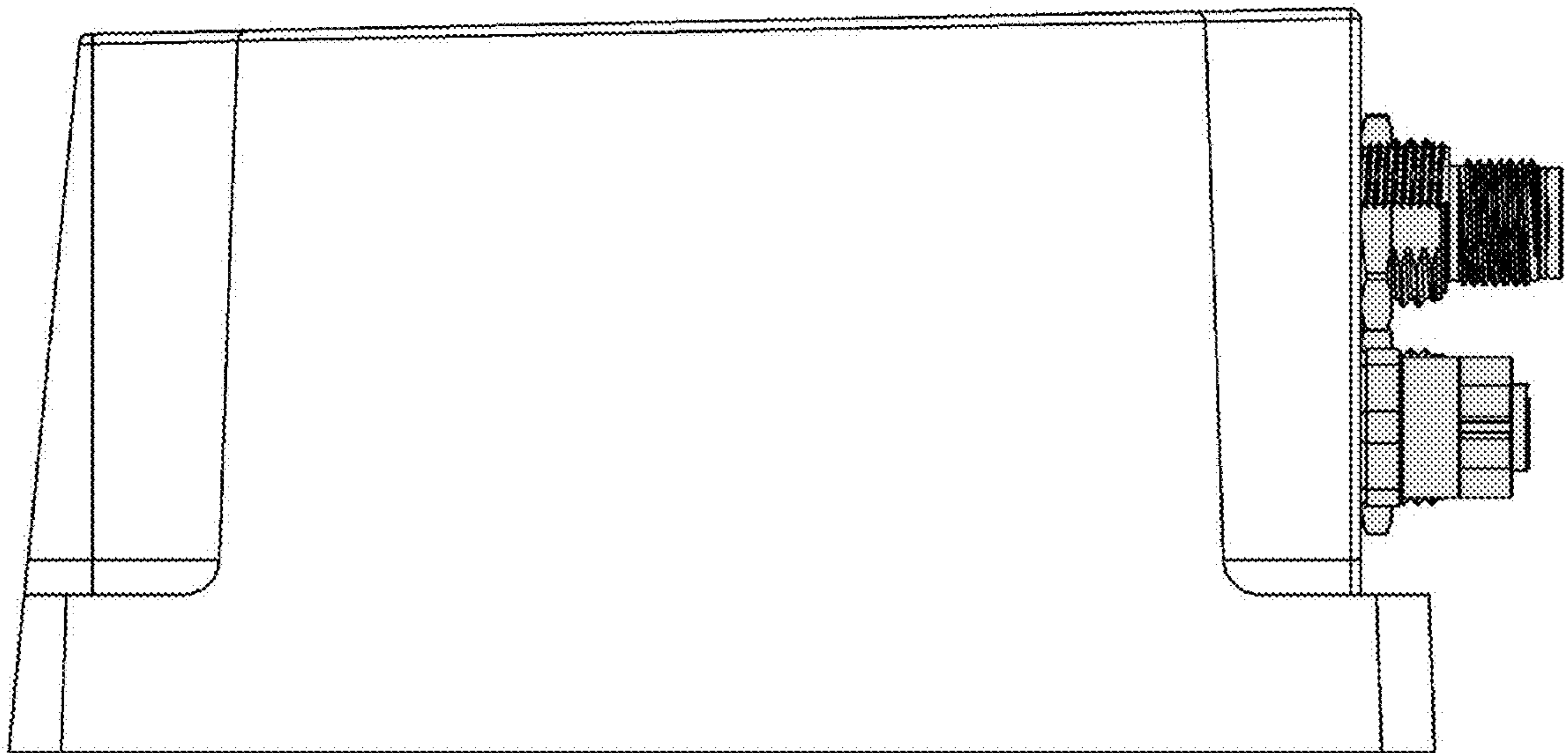
1.1



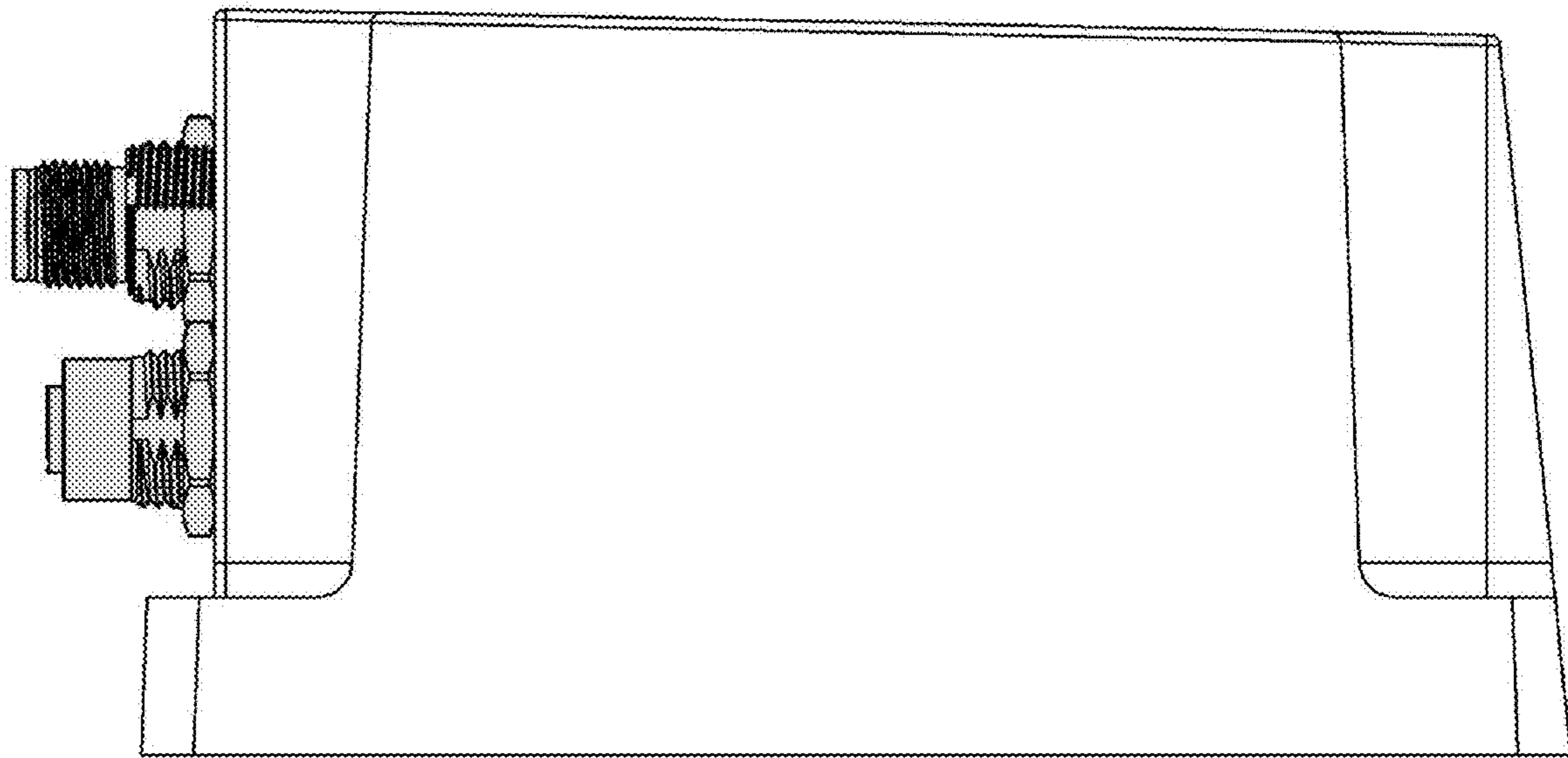
1.2



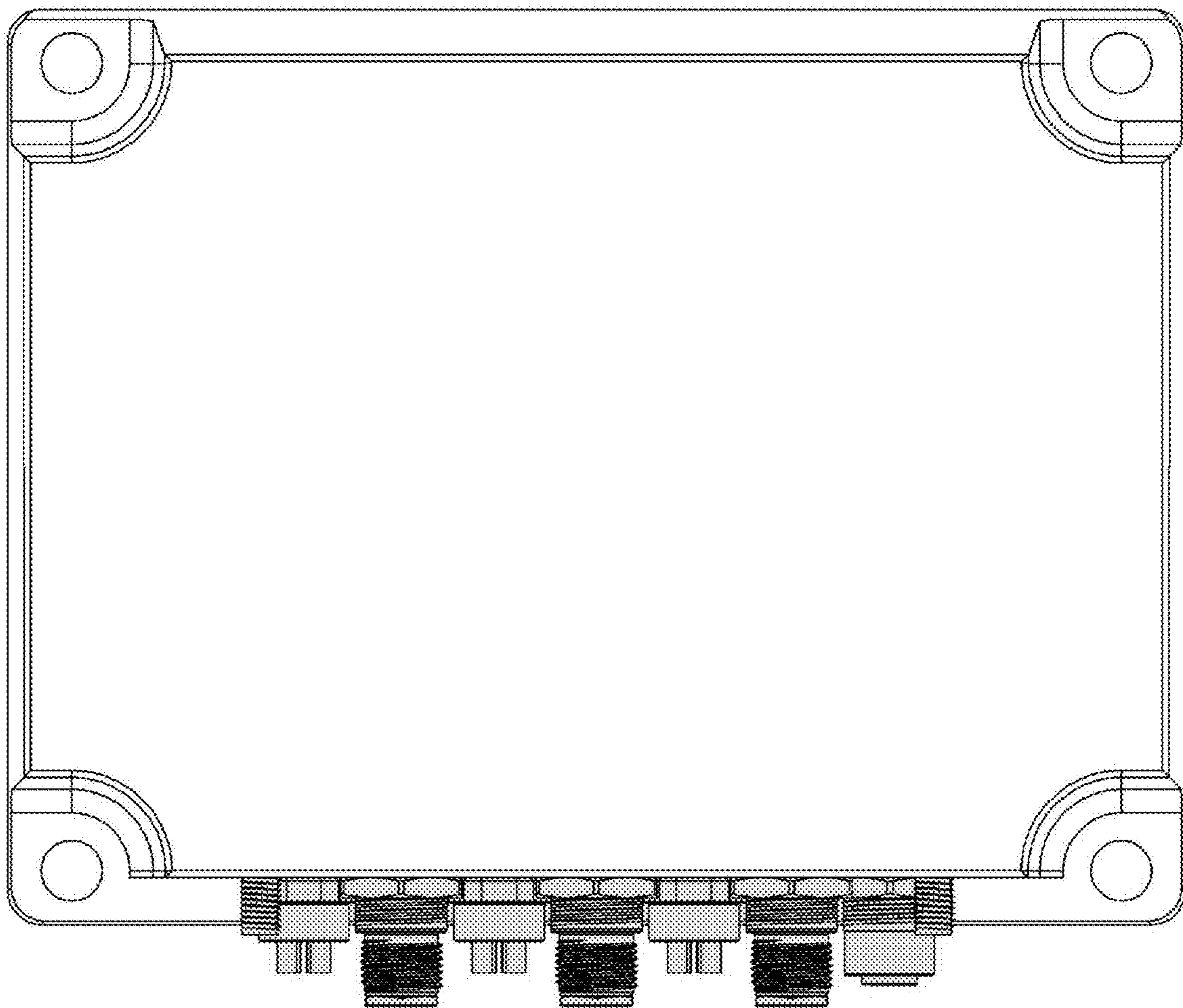
1.3



1.4



1.5



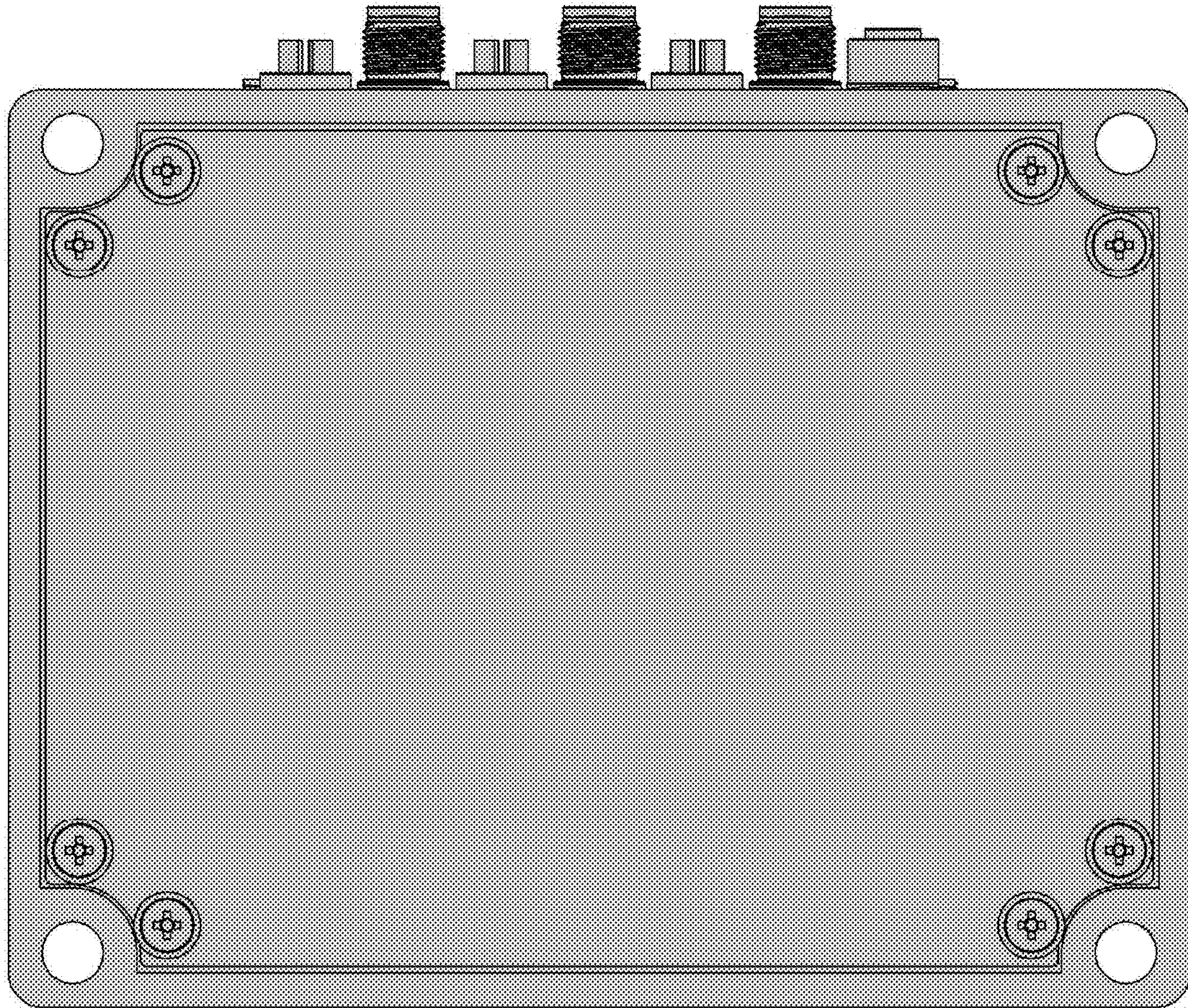


Fig. 1.6

1.7

