



US00D988308S

(12) **United States Design Patent** (10) **Patent No.:** **US D988,308 S**
Jia et al. (45) **Date of Patent:** **** Jun. 6, 2023**

(54) **GPS HOLDER**

(71) Applicant: **Guangzhou Issyzone Technology Co., Limited**, Guangzhou (CN)

(72) Inventors: **Zhuo Jia**, Guangzhou (CN); **Taiping Yang**, Guangzhou (CN)

(73) Assignee: **GUANGZHOU ISSYZONE TECHNOLOGY CO., LIMITED**, Guangzhou (CN)

(**) Term: **15 Years**

(21) Appl. No.: **29/853,264**

(22) Filed: **Sep. 14, 2022**

(51) **LOC (14) Cl.** **14-03**

(52) **U.S. Cl.**
USPC **D14/253**; D14/447; D14/451; D12/415; D12/423; D12/424; D10/65; D10/70; D10/74

(58) **Field of Classification Search**

USPC D14/356, 412-413, 432-434, 435.1, 447, D14/451-452, 457, 142, 203.8, 209.1, D14/217, 224, 224.1, 229, 238, 240, D14/251-253, 439, 453-454, 511, 254, D14/299; D12/400, 406, 415-418, 422, D12/223, 424-426.1; D3/218, 269; D9/455; D6/553, 512; D16/242, 245; D8/355, 354; D21/324, 329-333; D10/65, 70, 74
CPC H04M 1/04; H04M 1/06; H04M 1/11; H04M 1/12; H04M 1/14; H04M 1/13; H04M 1/15; H04M 1/026; H04M 1/03; H04M 1/0254; H04M 1/0249; H04M 1/0206; H04M 1/02; H04M 1/0202; A45F 2200/0516; A45F 2200/0525; G06F 1/1628; B60R 11/0258; B60R 11/00; B60R 2011/0003; B60R 2011/004; B60R 2011/0005; B60R 2011/0007; B60R 2011/0008; B60R 2011/0001; B60R

(Continued)

(56) **References Cited**

U.S. PATENT DOCUMENTS

D411,989 S * 7/1999 Grossman D14/434
D427,981 S * 7/2000 Inukai D14/453

(Continued)

FOREIGN PATENT DOCUMENTS

DE 102021112926 A1 * 11/2022

OTHER PUBLICATIONS

Byeonyunjeong, KR Design No. 300706245, published at Orbit, publication date Aug. 28, 2013. Site visited Nov. 30, 2022. Available from Internet. (Year: 2013).*

(Continued)

Primary Examiner — Kathleen L Jones

(57) **CLAIM**

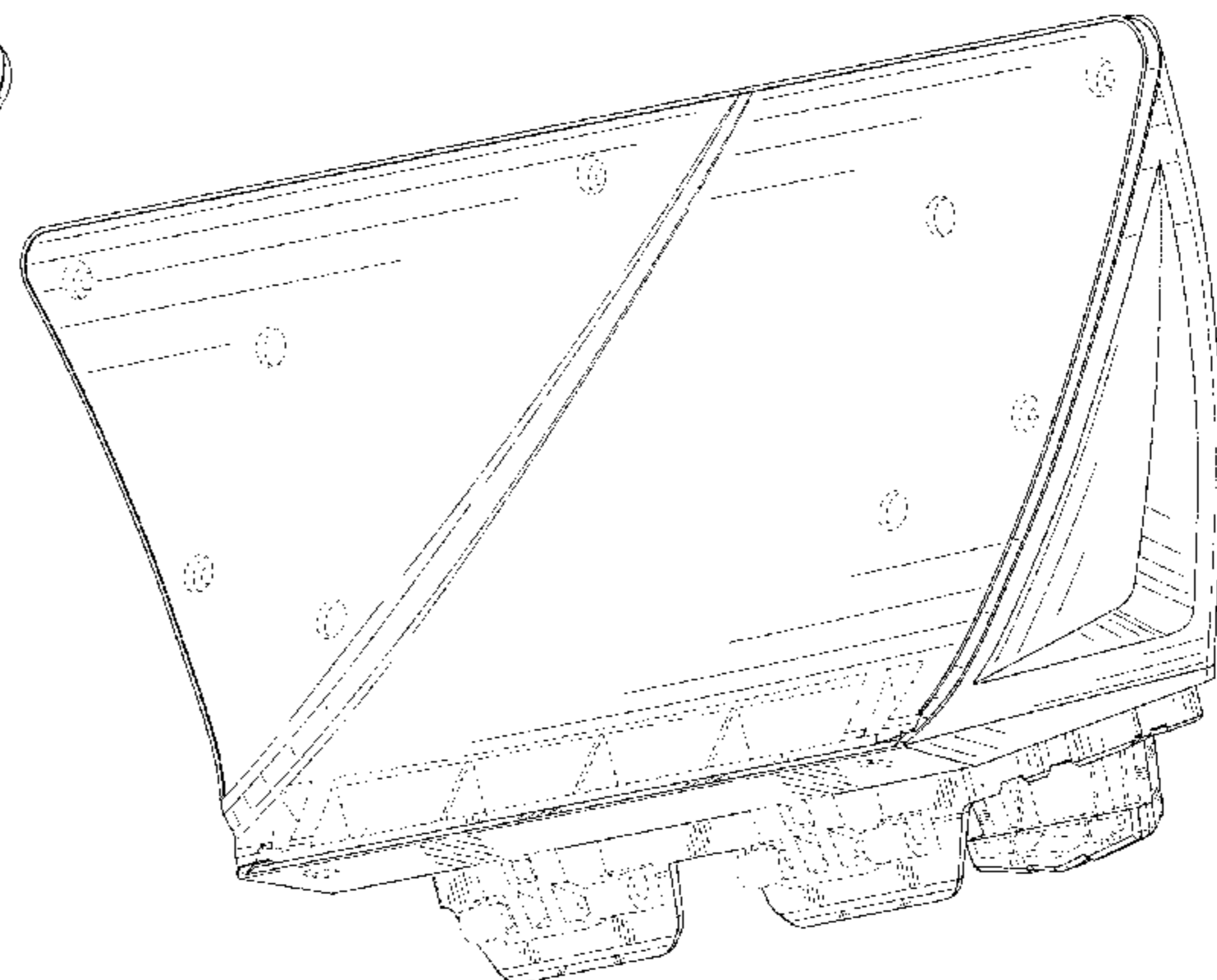
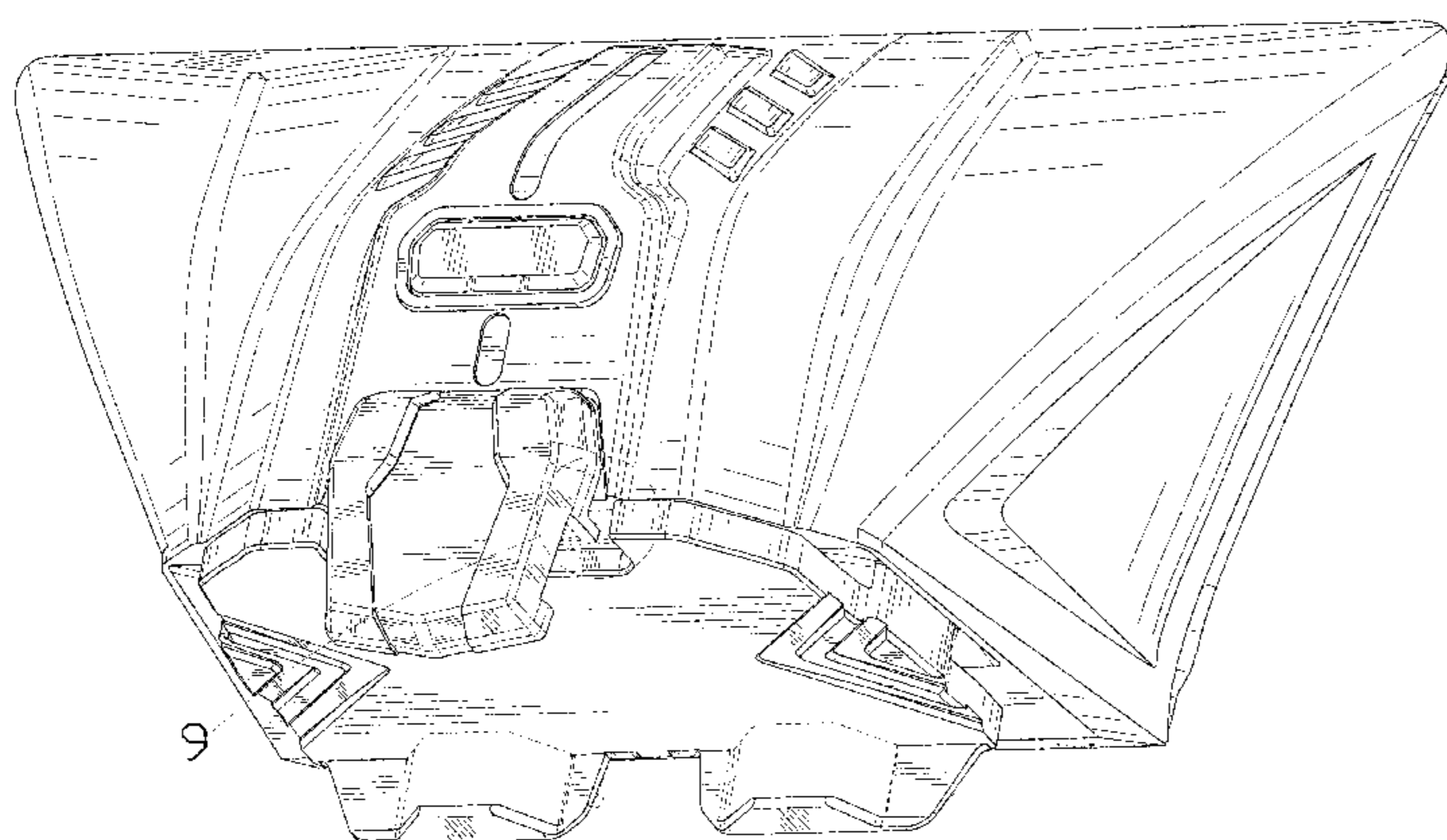
The ornamental design for a GPS holder, as shown and described.

DESCRIPTION

FIG. 1 is a front and bottom perspective view of a GPS holder, showing our new design;
FIG. 2 is a rear and top perspective view thereof;
FIG. 3 is a front elevation view thereof;
FIG. 4 is a rear elevation view thereof;
FIG. 5 is a left side elevation view thereof;
FIG. 6 is a right side elevation view thereof;
FIG. 7 is a top plan view thereof;
FIG. 8 is a bottom plan view thereof; and,
FIG. 9 is an enlarged perspective view of detail "9" identified in FIG. 1.

The dashed lines in the figures illustrate portions of the GPS holder that form no part of the claimed design. The dash dot dash lines in FIGS. 1 and 9 are for the purpose of illustrating the enlarged view indicators and form no part of the claimed design.

1 Claim, 9 Drawing Sheets



(58) **Field of Classification Search**

CPC 2011/0042; B60R 2011/0043; B60R
2011/0045; B60R 2011/0047; B60R
2011/0049; B60R 2011/005; B60R
2011/0056; B60R 2011/0057; B60R
2011/0064; B60R 2011/007; B60R
2011/0075; B60R 2011/0068; B60R
2011/008; B60R 2011/0082; B60R
2011/0084; B60R 2011/0085; B60R
2011/0087; B60R 2011/0089; B60R
2011/0091

See application file for complete search history.

D606,044 S * 12/2009 Lee D14/217
D623,641 S * 9/2010 Harden D14/253
D625,289 S * 10/2010 Hao D14/209.1
D705,741 S * 5/2014 Porter D13/162
D709,893 S * 7/2014 Sale D14/434
D711,349 S * 8/2014 Schmiedbauer D14/209.1
D751,561 S * 3/2016 Guthrie D14/434
D776,119 S * 1/2017 Plante G06F 1/1632
D14/434
D797,584 S * 9/2017 Venth D10/70
D837,799 S * 1/2019 Chan D14/451
D859,367 S * 9/2019 Per mats D14/217

(56)

References Cited

U.S. PATENT DOCUMENTS

D432,930 S * 10/2000 Sanoner D10/70
D438,199 S * 2/2001 Arpe D14/240
D440,977 S * 4/2001 Weisz D14/434
D444,472 S * 7/2001 Russell D14/434
D454,556 S * 3/2002 Schmidt D14/240
D480,715 S * 10/2003 Pietola D14/240
D492,904 S * 7/2004 Berger D10/74
D514,576 S * 2/2006 Sung D14/434
D525,935 S * 8/2006 Hussaini D14/224.1
D535,612 S * 1/2007 Chien D14/434
D547,319 S * 7/2007 Chang D14/454

OTHER PUBLICATIONS

Kim, Seungu, KR Design No. 300941088, published at Orbit, publication date Jan. 23, 2018. Site visited Nov. 30, 2022. Available from Internet. (Year: 2018).*

Kemimoto Store, UTV Electronic Device Holder, posted at Amazon, posting date Oct. 18, 2022. Site visited Nov. 30, 2022. URL: <https://www.amazon.com/kemimoto-Electronic-Compatible-RMAX1000-Accessories/dp/B0BJJDVNFC?ref_ast_sto_dp> (Year: 2022).*

A & UTV Pro, Trail Electronic Tablet Device Holder, posted at Amazon, posting date Aug. 12, 2020. Site visited Nov. 30, 2022. URL: <<https://www.amazon.com/dp/B08XBPP9DC/>> (Year: 2020).*

* cited by examiner

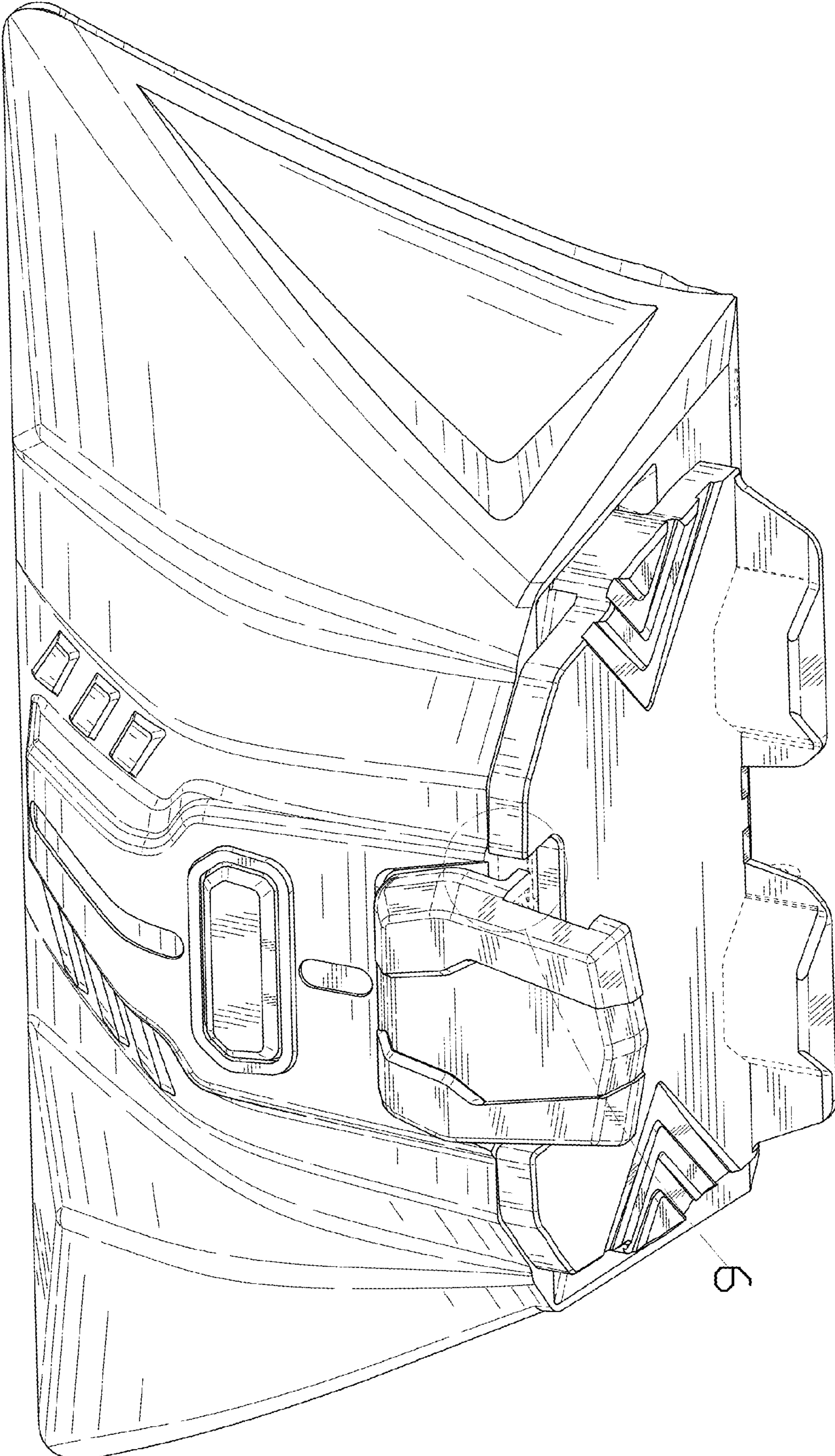


FIG. 1

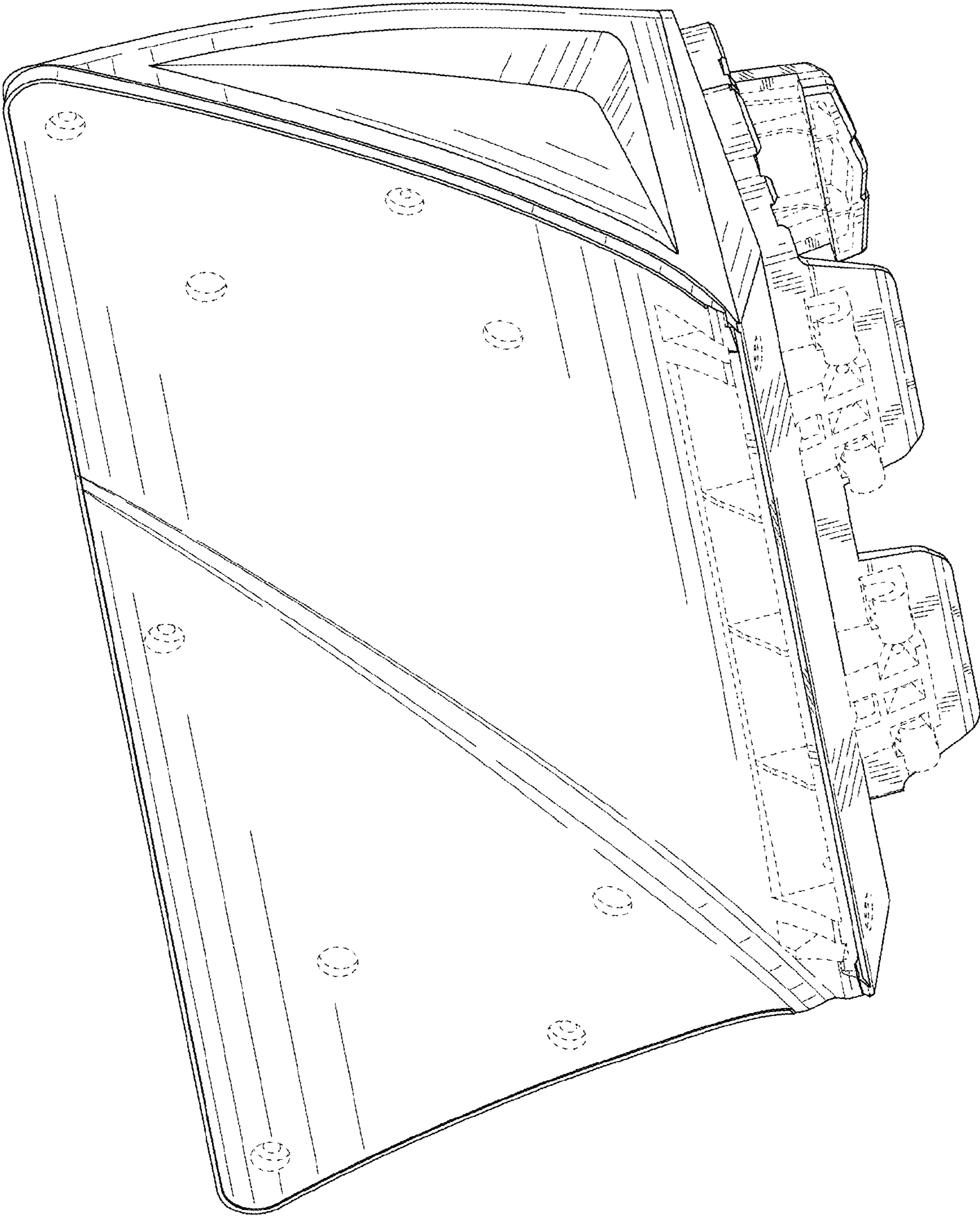


FIG. 2

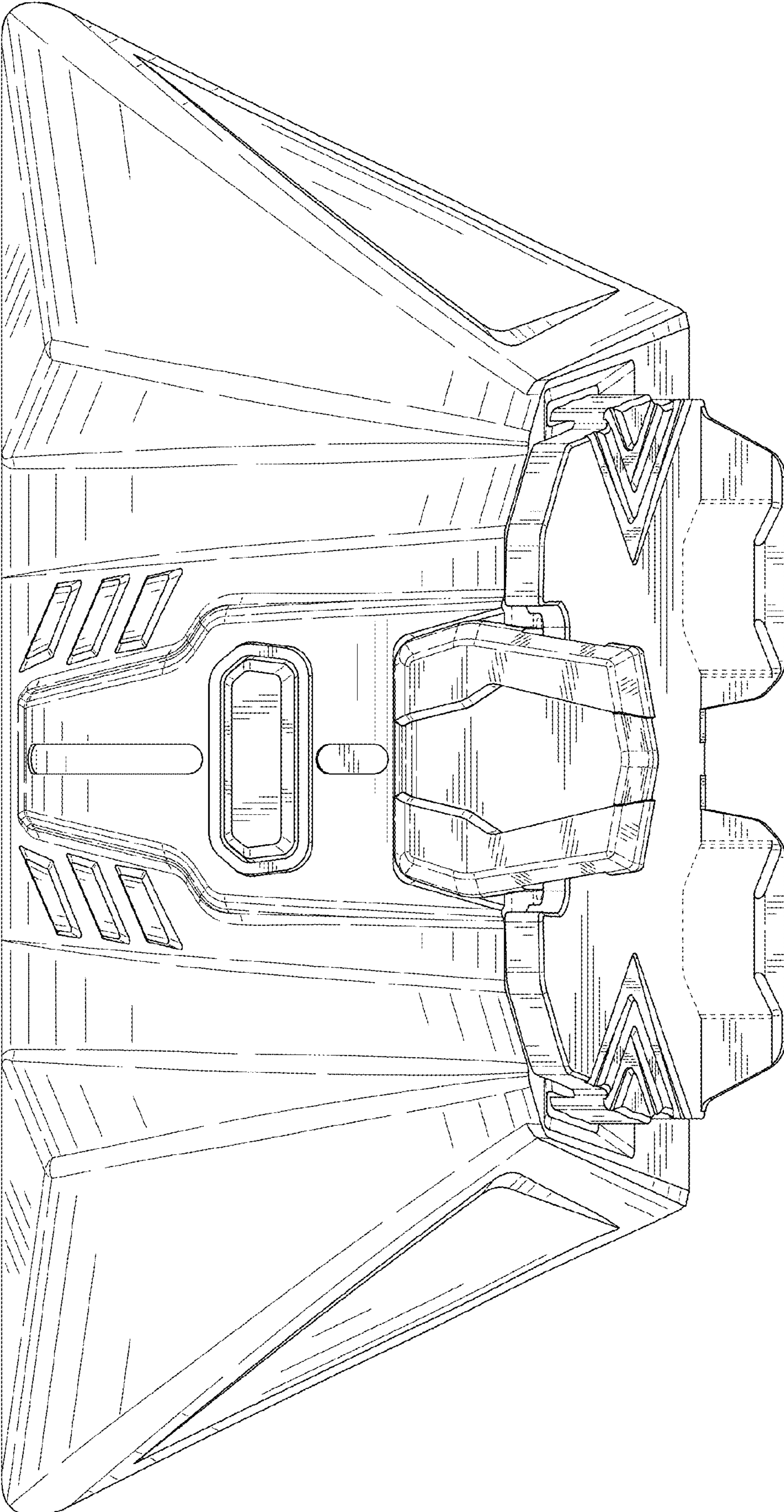


FIG. 3

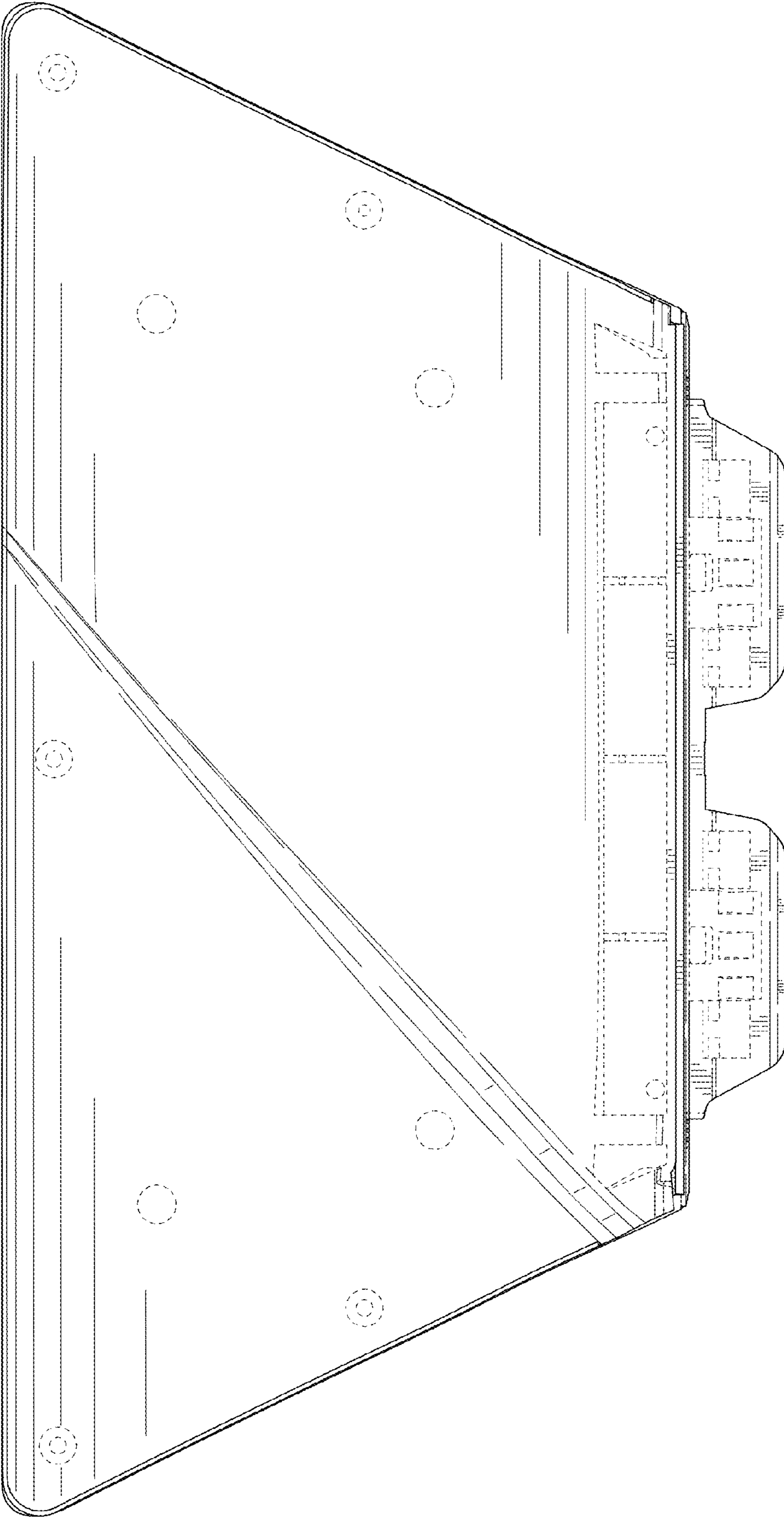


FIG. 4

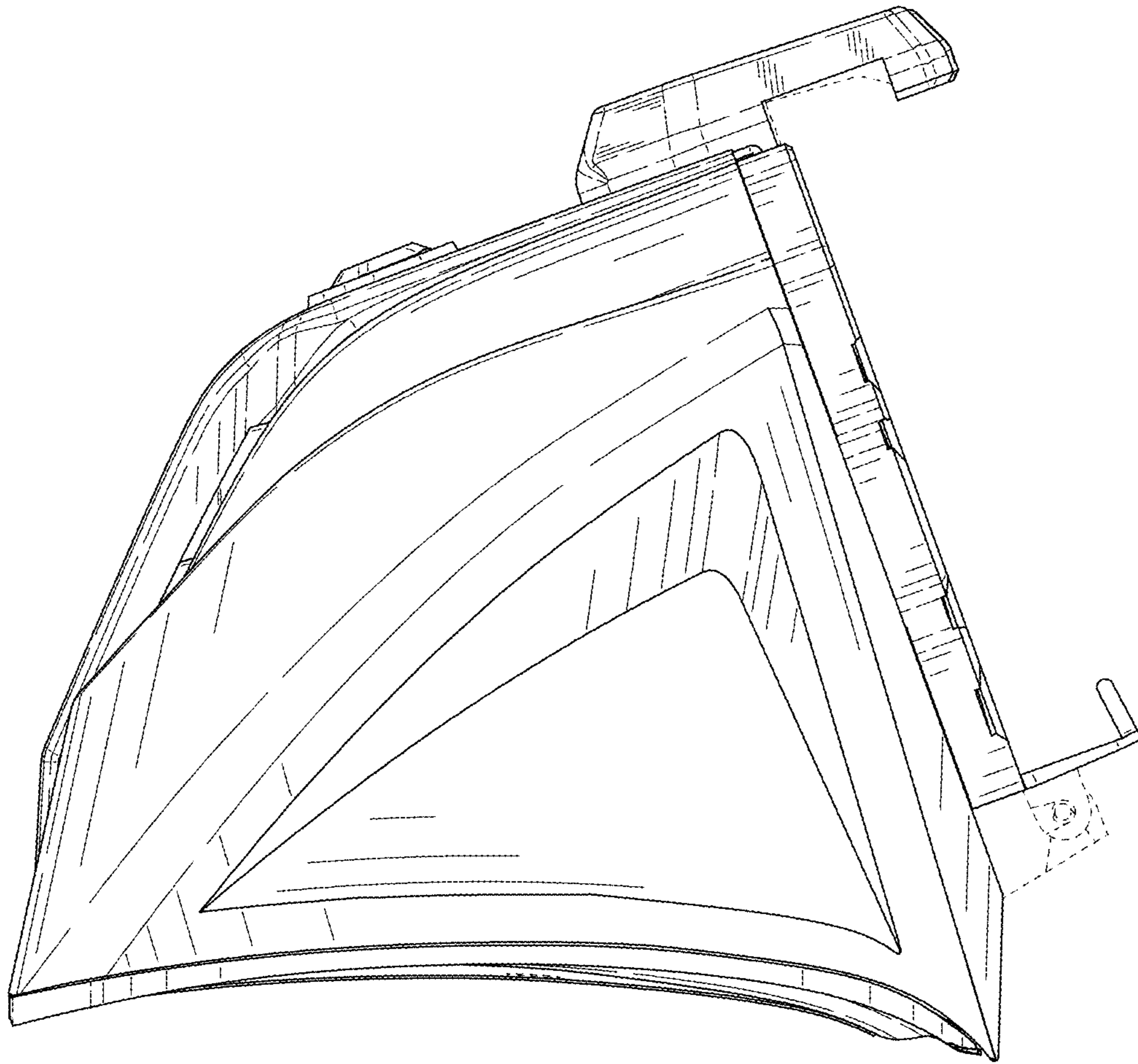


FIG. 5

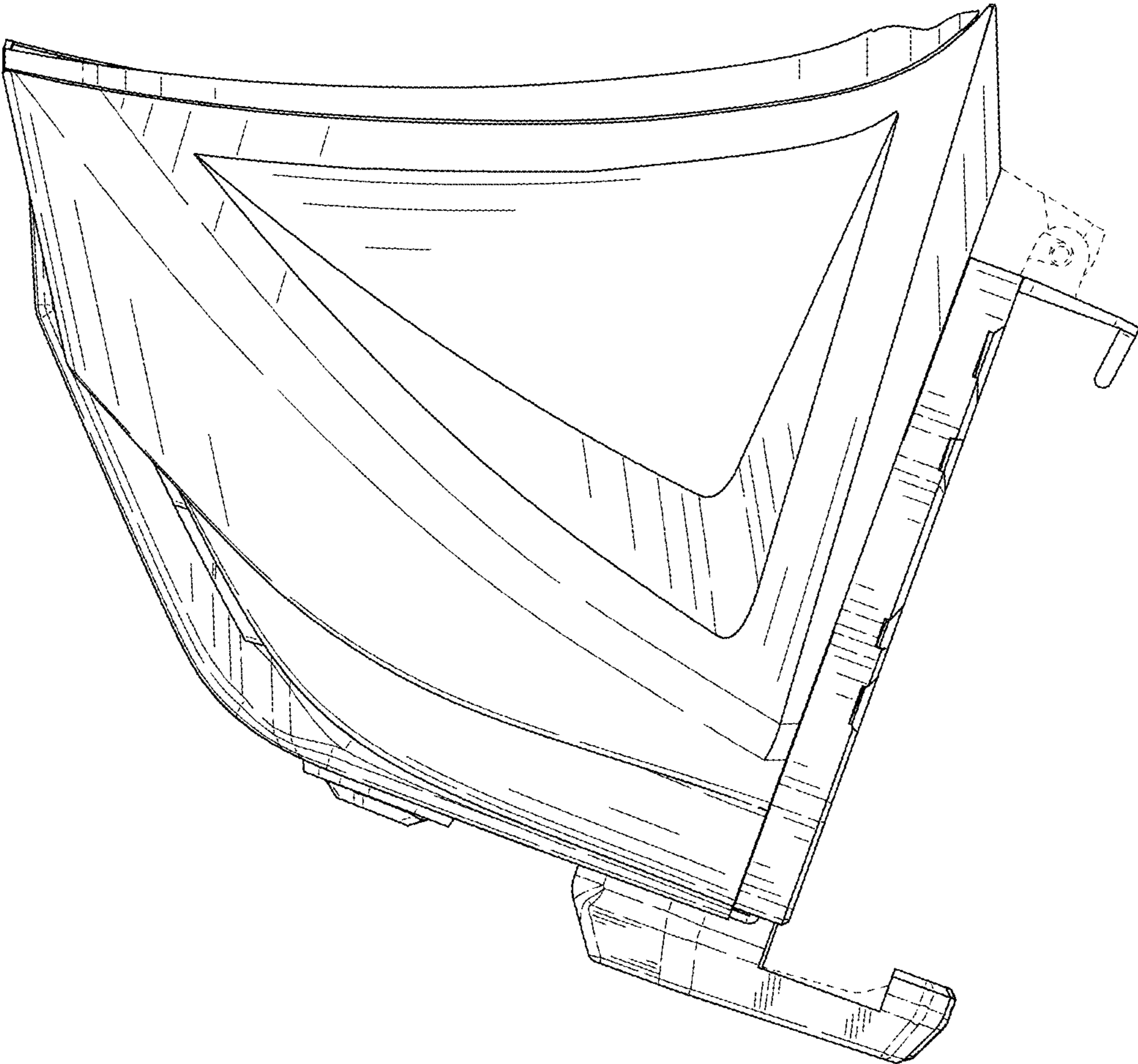


FIG. 6

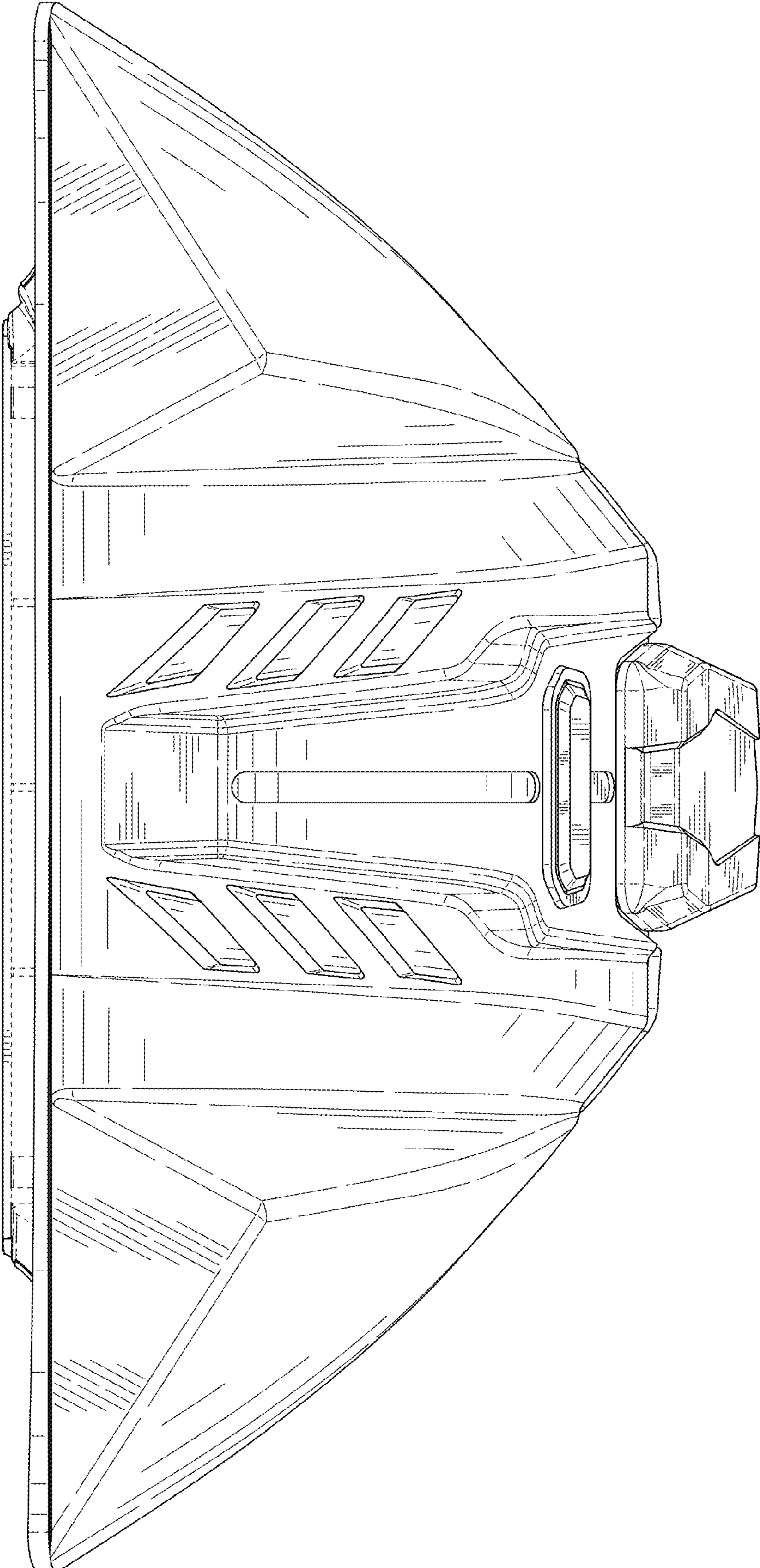


FIG. 7

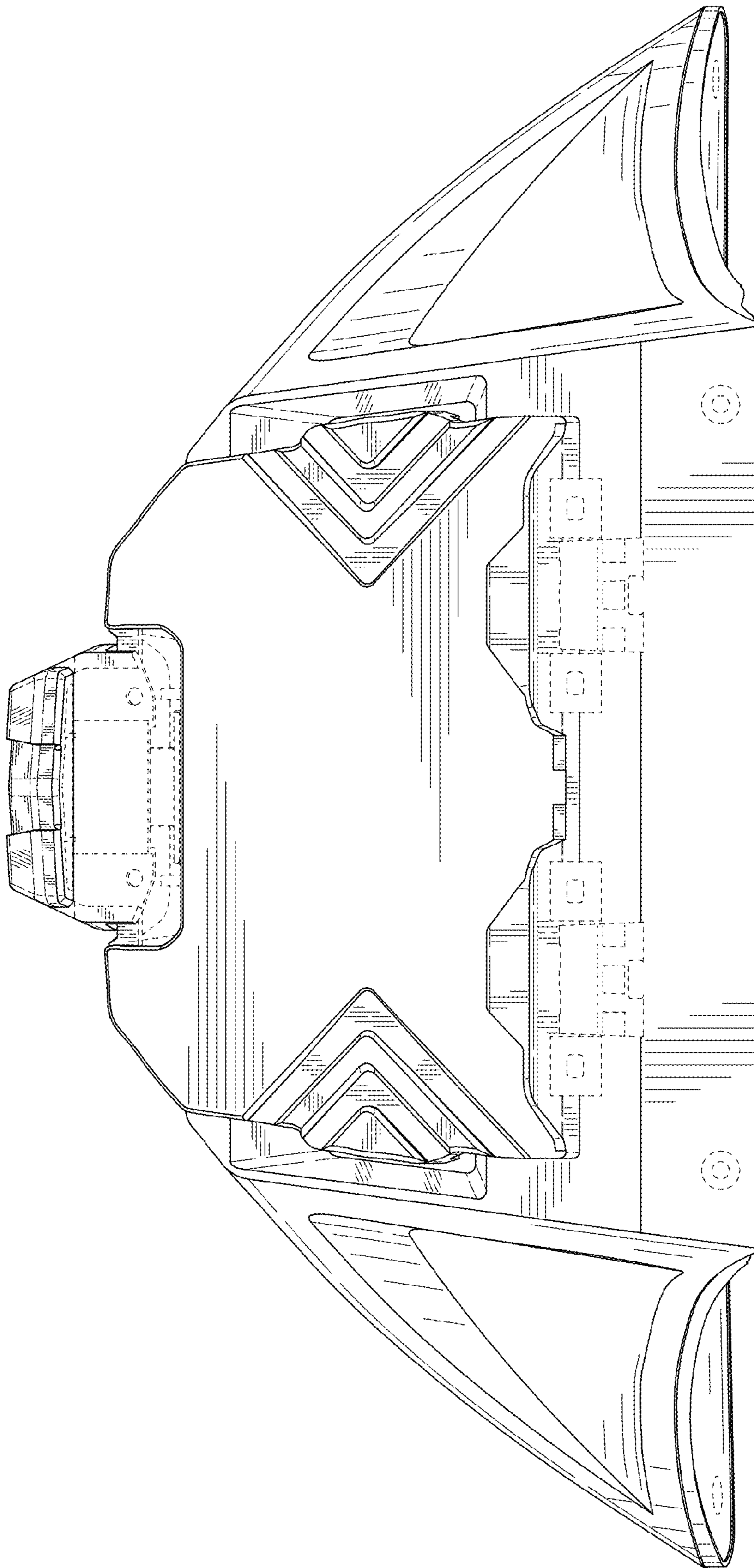


FIG. 8

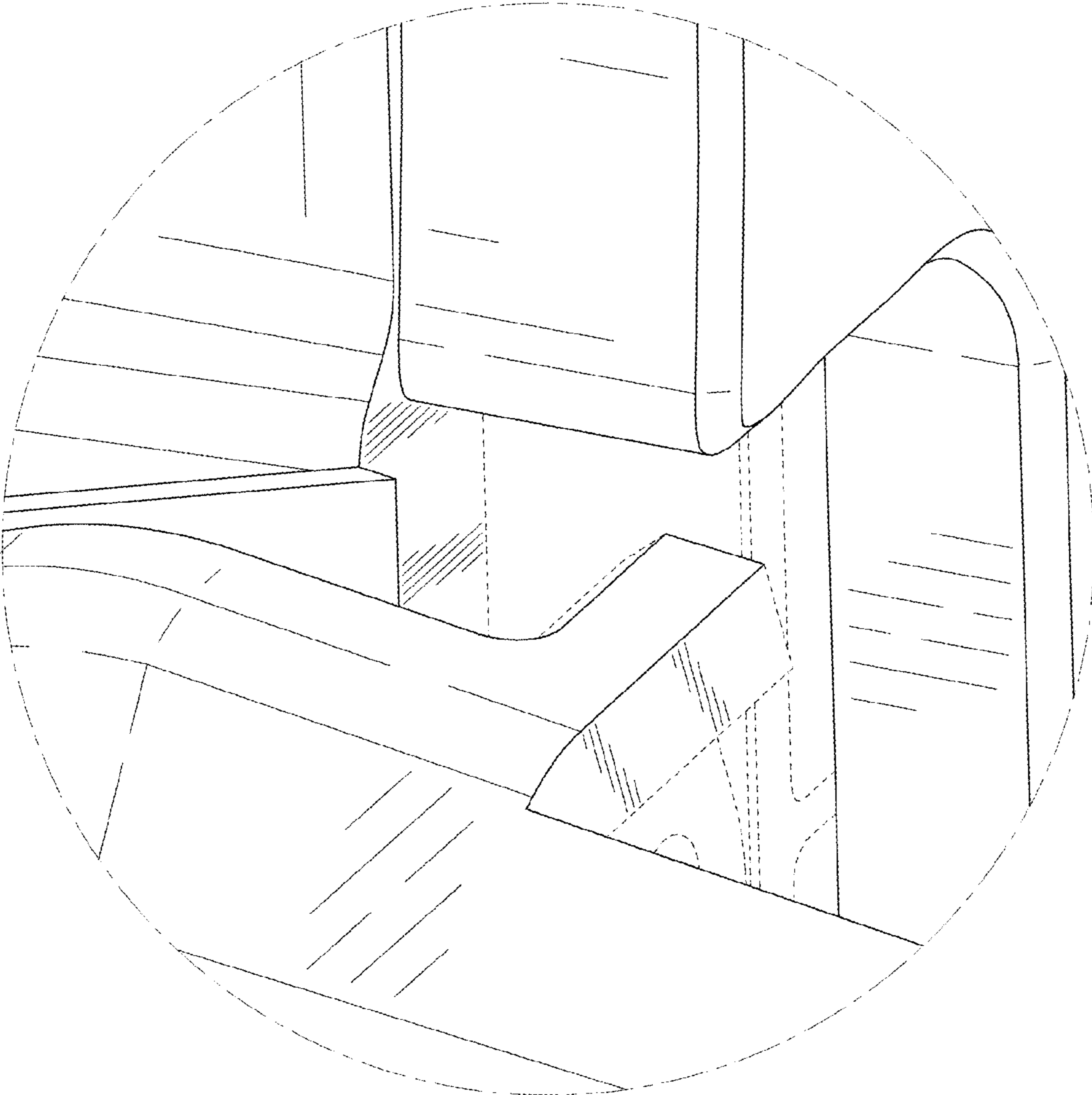


FIG. 9