



US00D988307S

(12) **United States Design Patent**
Luo

(10) **Patent No.:** **US D988,307 S**
(45) **Date of Patent:** **** Jun. 6, 2023**

(54) **MOBILE PHONE HOLDER**

(71) Applicant: **MingZi Luo**, Heyuan (CN)

(72) Inventor: **MingZi Luo**, Heyuan (CN)

(**) Term: **15 Years**

(21) Appl. No.: **29/850,039**

(22) Filed: **Aug. 16, 2022**

(51) **LOC (14) Cl.** **14-03**

(52) **U.S. Cl.**
USPC **D14/253**; D12/415

(58) **Field of Classification Search**
USPC D14/356, 412–413, 432–434, 435.1, 447,
D14/451–452, 457, 142, 203.8, 209.1,
D14/217, 224, 224.1, 229, 238, 240,
D14/251–253; D12/400, 406, 415–418,
D12/422, 223; D3/218, 269; D9/455;
D6/553, 512; D16/242, 245; D8/355
CPC H04M 1/04; H04M 1/06; H04M 1/11;
H04M 1/12; H04M 1/14; H04M 1/13;
H04M 1/15; H04M 1/026; H04M 1/03;
H04M 1/0254; H04M 1/0249; H04M
1/0206; H04M 1/02; H04M 1/0202; A45F
2200/0516; A45F 2200/0525; G06F
1/1628

See application file for complete search history.

(56) **References Cited**

U.S. PATENT DOCUMENTS

D750,612 S	*	3/2016	Chen	D14/447
D780,743 S	*	3/2017	Chun	D14/447
D783,014 S	*	4/2017	Chun	D14/253
D799,466 S	*	10/2017	Sukphist	D14/253
D808,005 S	*	1/2018	Peretz	D24/169
D831,660 S	*	10/2018	Yao	D14/447
D832,247 S	*	10/2018	Sukphist	D14/253
D840,995 S	*	2/2019	Balmer	D14/253
D860,189 S	*	9/2019	Gu	D22/108
D862,454 S	*	10/2019	Chun	D12/415
D863,206 S	*	10/2019	Cao	D12/415

(Continued)

FOREIGN PATENT DOCUMENTS

CN 111917909 A * 11/2020
CN 112019668 A * 12/2020

OTHER PUBLICATIONS

Itodos, Cell Phone Holder Mount Clip, posted at Amazon, posting date Jun. 7, 2021. Site visited Nov. 19, 2022. URL: <<https://www.amazon.com/iTODOS-Wheelchair-Stroller-Aluminum-Material/dp/B096RQFWVZ>> (Year: 2021).*

(Continued)

Primary Examiner — Kathleen L Jones

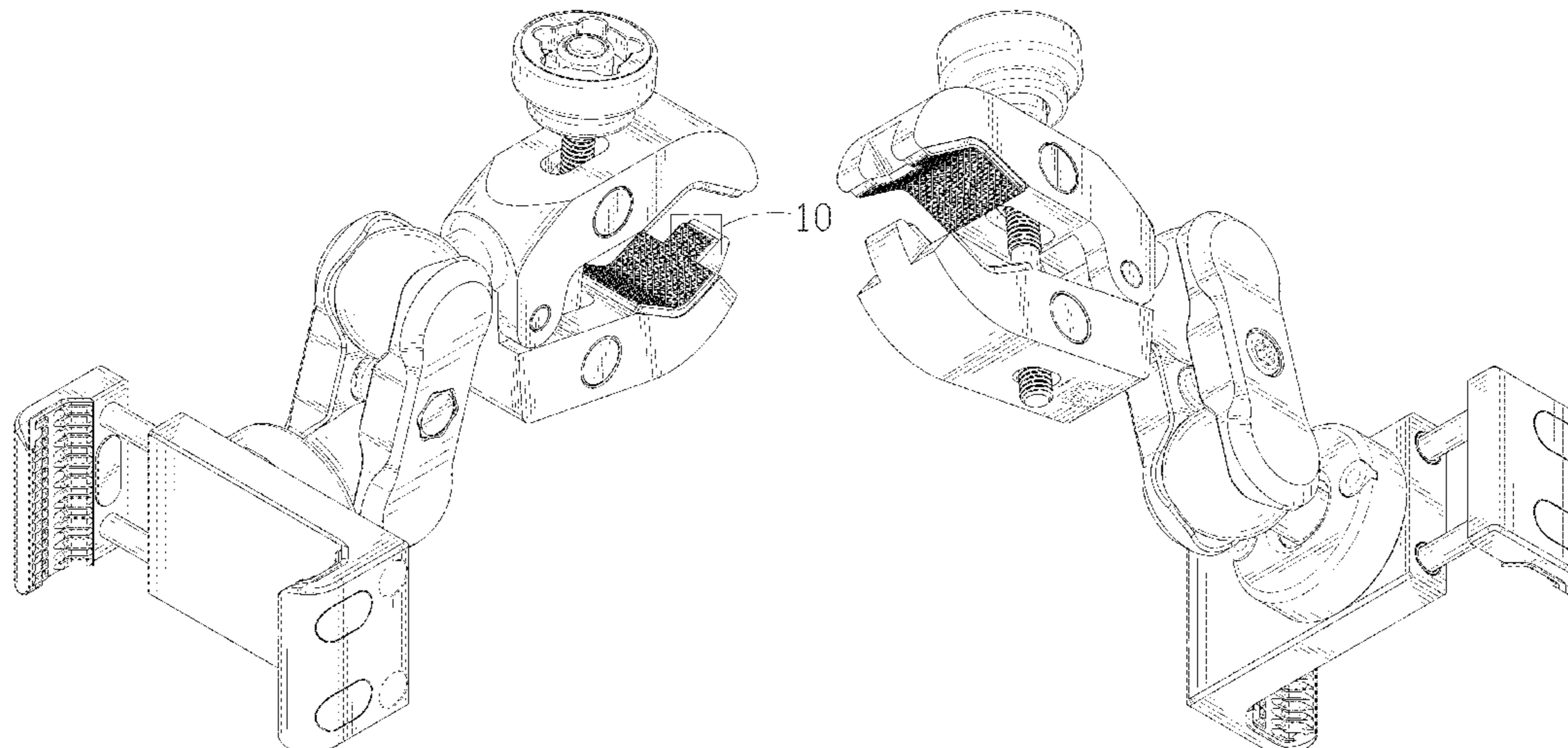
(57) **CLAIM**

The ornamental design for a mobile phone holder, as shown and described.

DESCRIPTION

FIG. 1 is a front and top perspective view of a mobile phone holder, showing my new design;
FIG. 2 is a rear and bottom perspective view thereof;
FIG. 3 is a front elevation view thereof;
FIG. 4 is a rear elevation view thereof;
FIG. 5 is a left side elevation view thereof;
FIG. 6 is a right side elevation view thereof;
FIG. 7 is a top plan view thereof;
FIG. 8 is a bottom plan view thereof;
FIG. 9 is another perspective view thereof, shown in an alternative position; and,
FIG. 10 is an enlarged perspective view of detail “10” identified in FIG. 1.
The dashed lines in the figures illustrate portions of the mobile phone holder that form no part of the claimed design. The dash dot dash lines in FIGS. 1 and 10 are for the purpose of depicting the boundary lines of the enlarged view and form no part of the claimed design.

1 Claim, 10 Drawing Sheets



(56)

References Cited

U.S. PATENT DOCUMENTS

D867,355 S * 11/2019 Chun D14/253
D892,787 S * 8/2020 Chen
D931,270 S * 9/2021 Qiu D14/253
D934,234 S * 10/2021 Deng D14/447
D944,239 S * 2/2022 Li D12/415
D945,409 S * 3/2022 Tang D14/253
D946,565 S * 3/2022 Liu D3/218
D949,841 S * 4/2022 Qiu D12/407
D949,842 S * 4/2022 Qiu D12/407
D980,835 S * 3/2023 Tang D14/253

OTHER PUBLICATIONS

Andrews, Stuart, Best car phone holder 2022, posted at ExpertReviews, posting date Jan. 18, 2022. Site visited Nov. 19, 2022. URL: <<https://www.expertreviews.co.uk/mobile-phones/1406375/best-car-phone-holder-the-best-windscreen-vent-and-dashboard-phone-holders>> (Year: 2022).*

Best Cell Phone Holder for Car Reviews in 2022, posted at AutoBlog Commerce, posting date May 26, 2022. Site visited Nov. 19, 2022. URL: <<https://www.autoblog.com/article/cell-phone-holder-for-car/>> (Year: 2022).*

Beren, David, The 5 Best Car Phone Holders of 2022, posted at Lifewire, posting date May 30, 2021. Site visited Nov. 19, 2022. URL: <<https://www.lifewire.com/best-car-phone-holders-4157460>> (Year: 2021).*

* cited by examiner

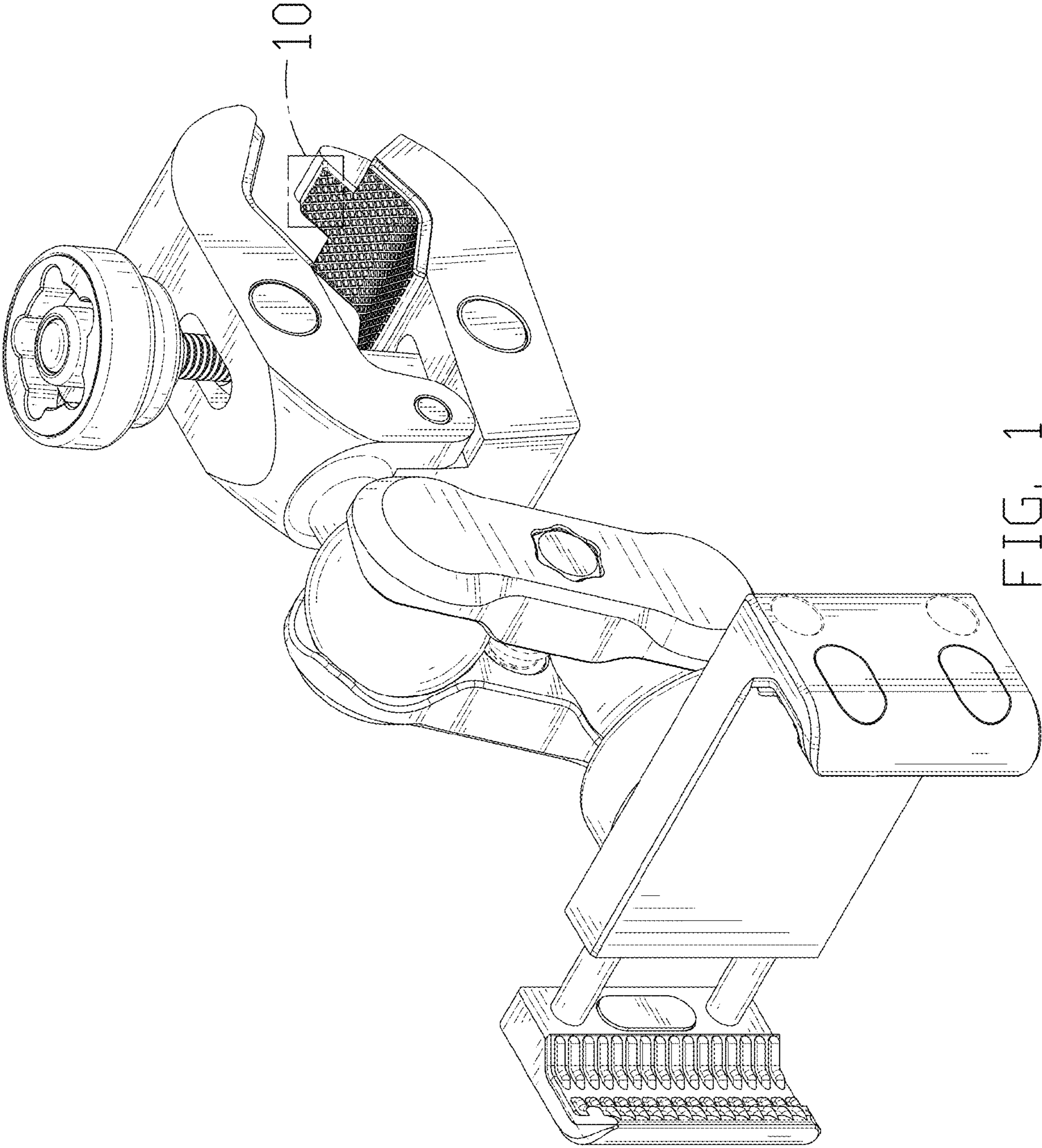


FIG. 1

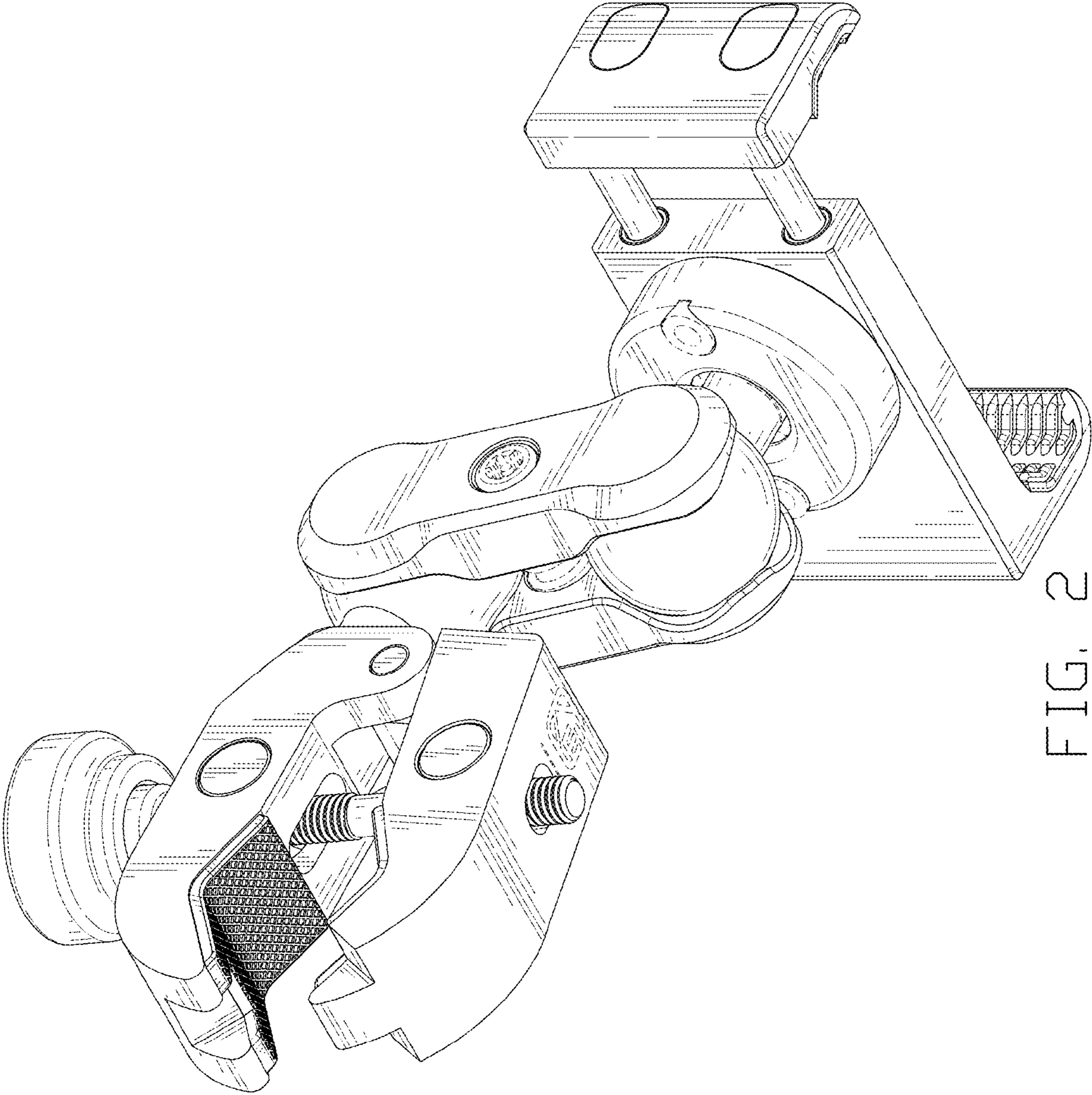


FIG. 2

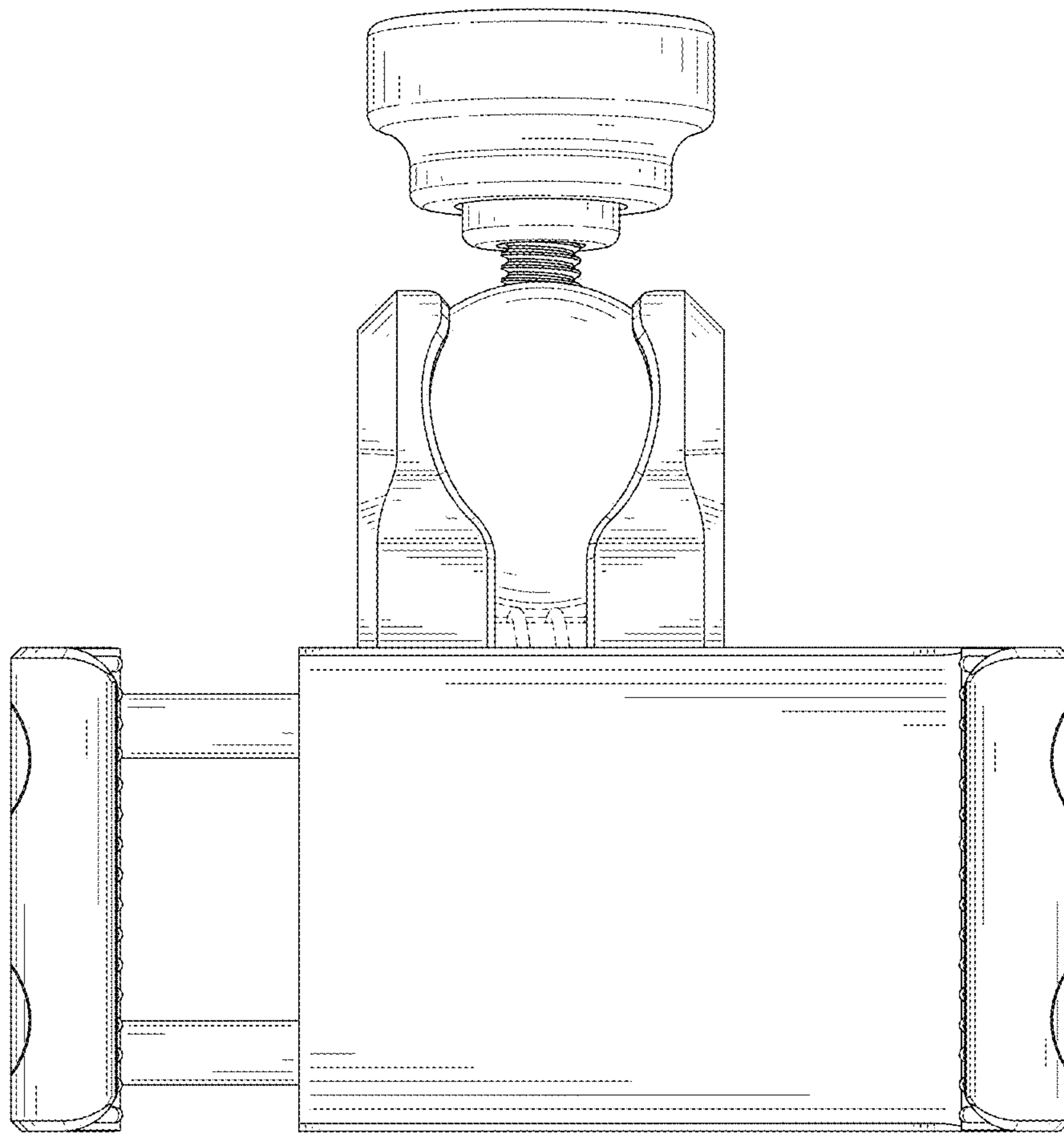


FIG. 3

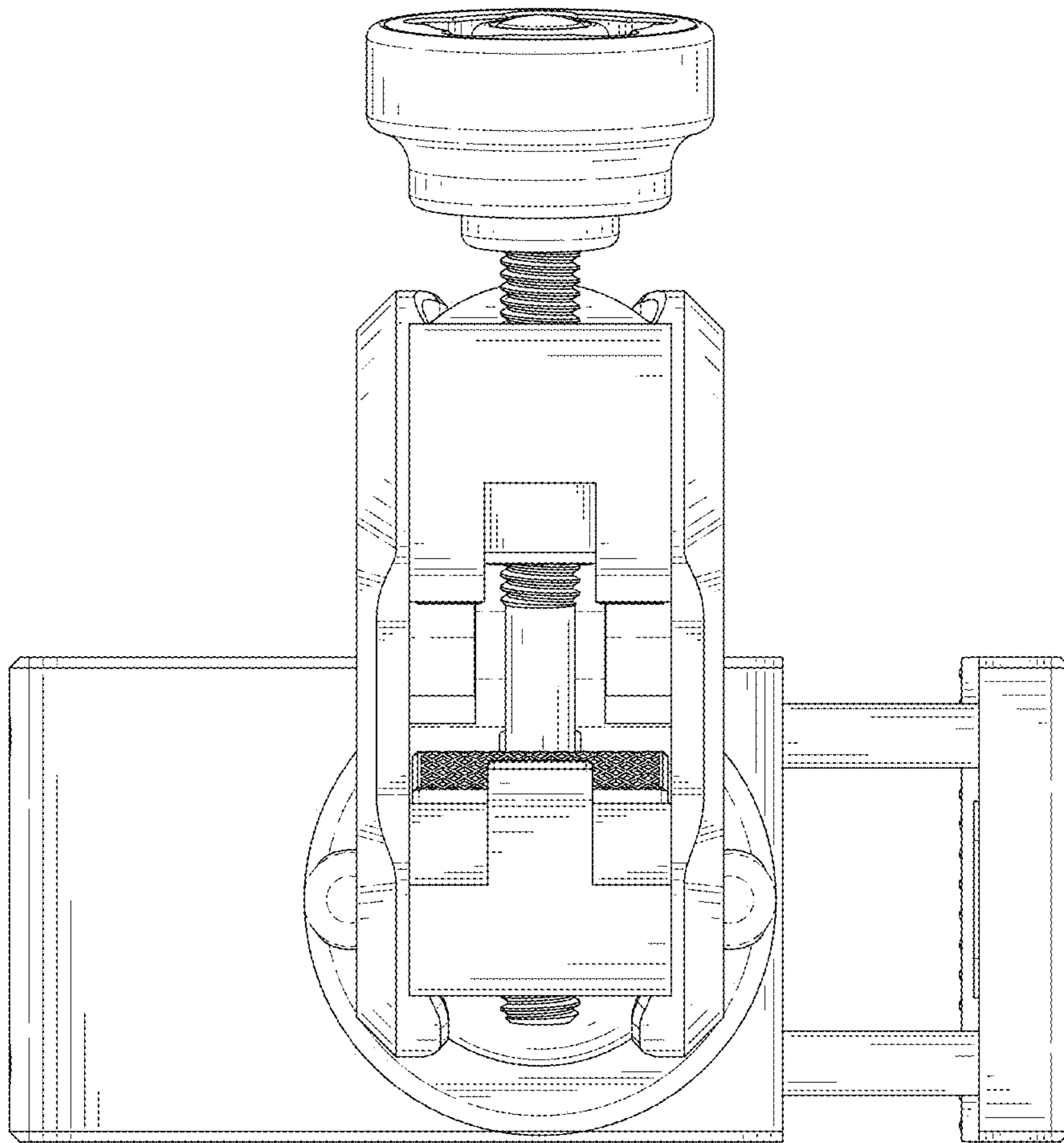


FIG. 4

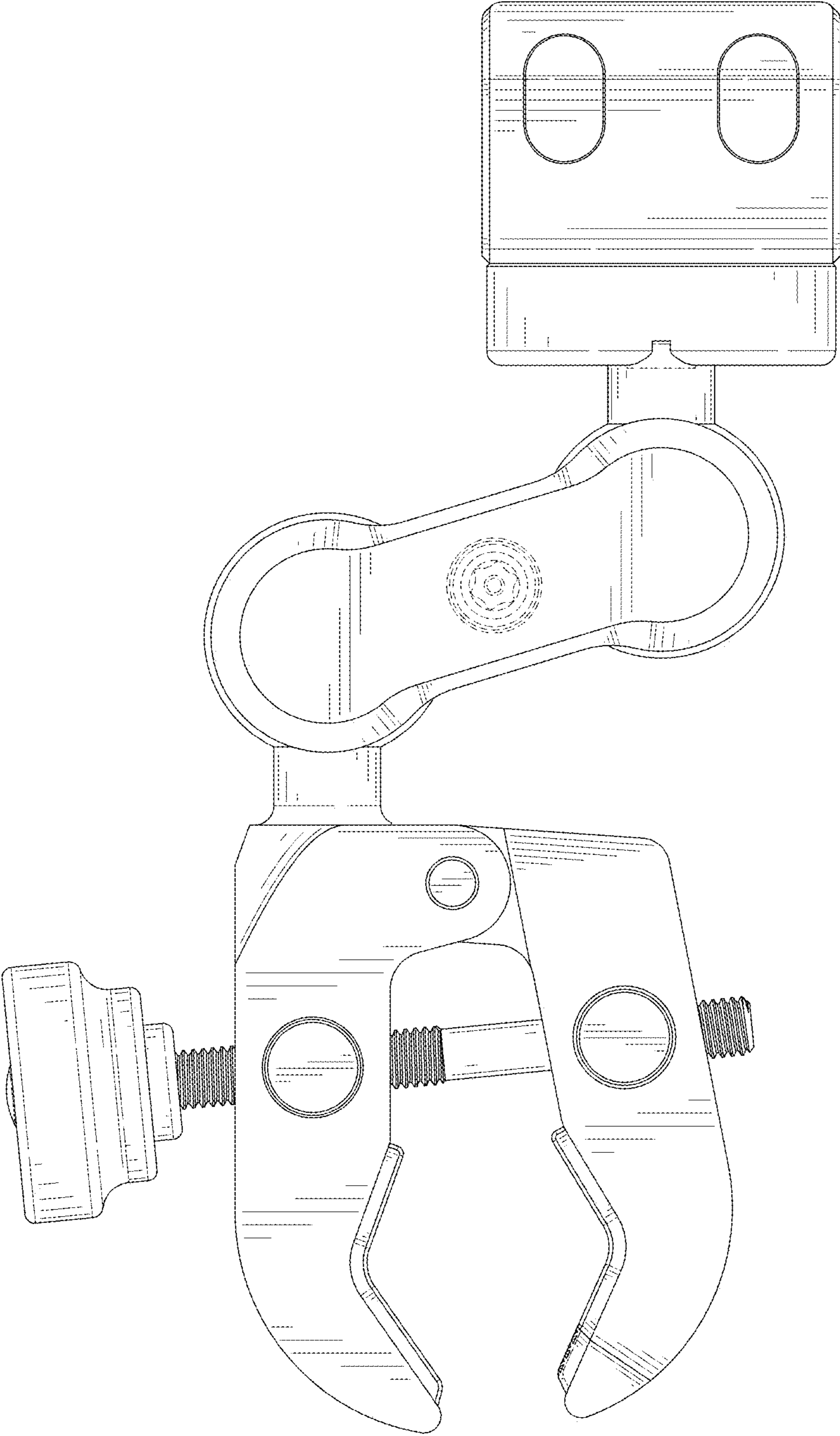


FIG. 5

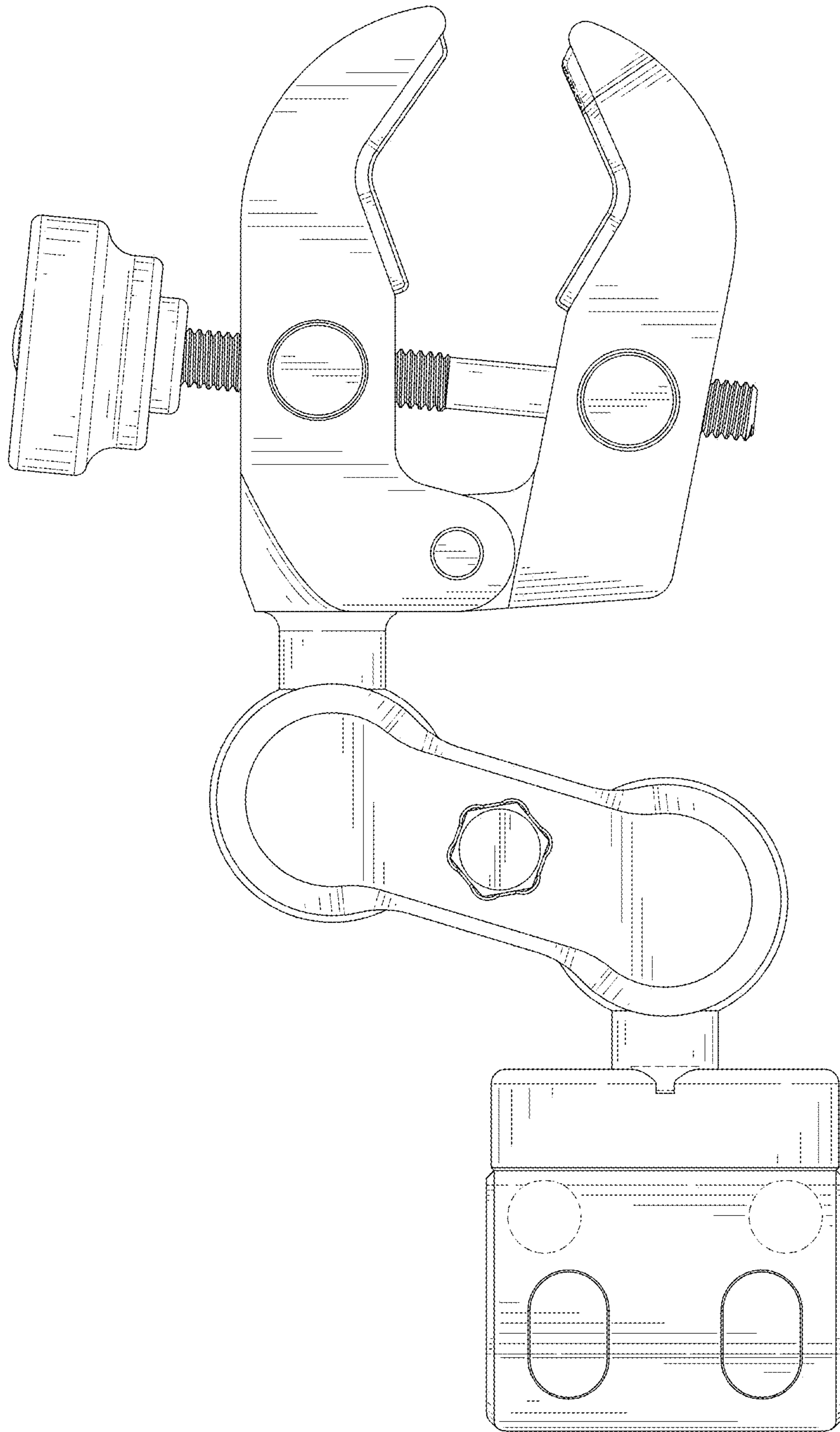


FIG. 6

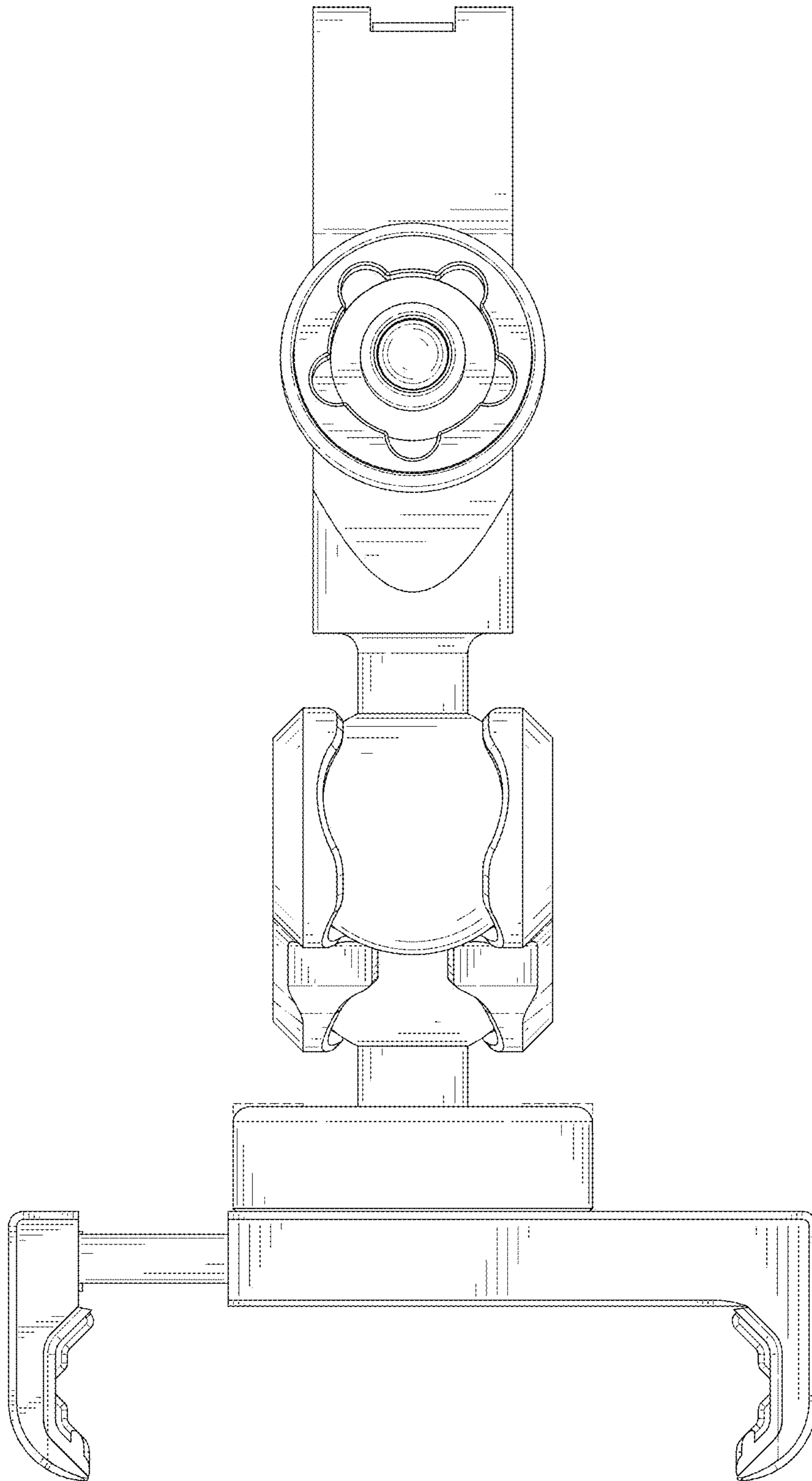


FIG. 7

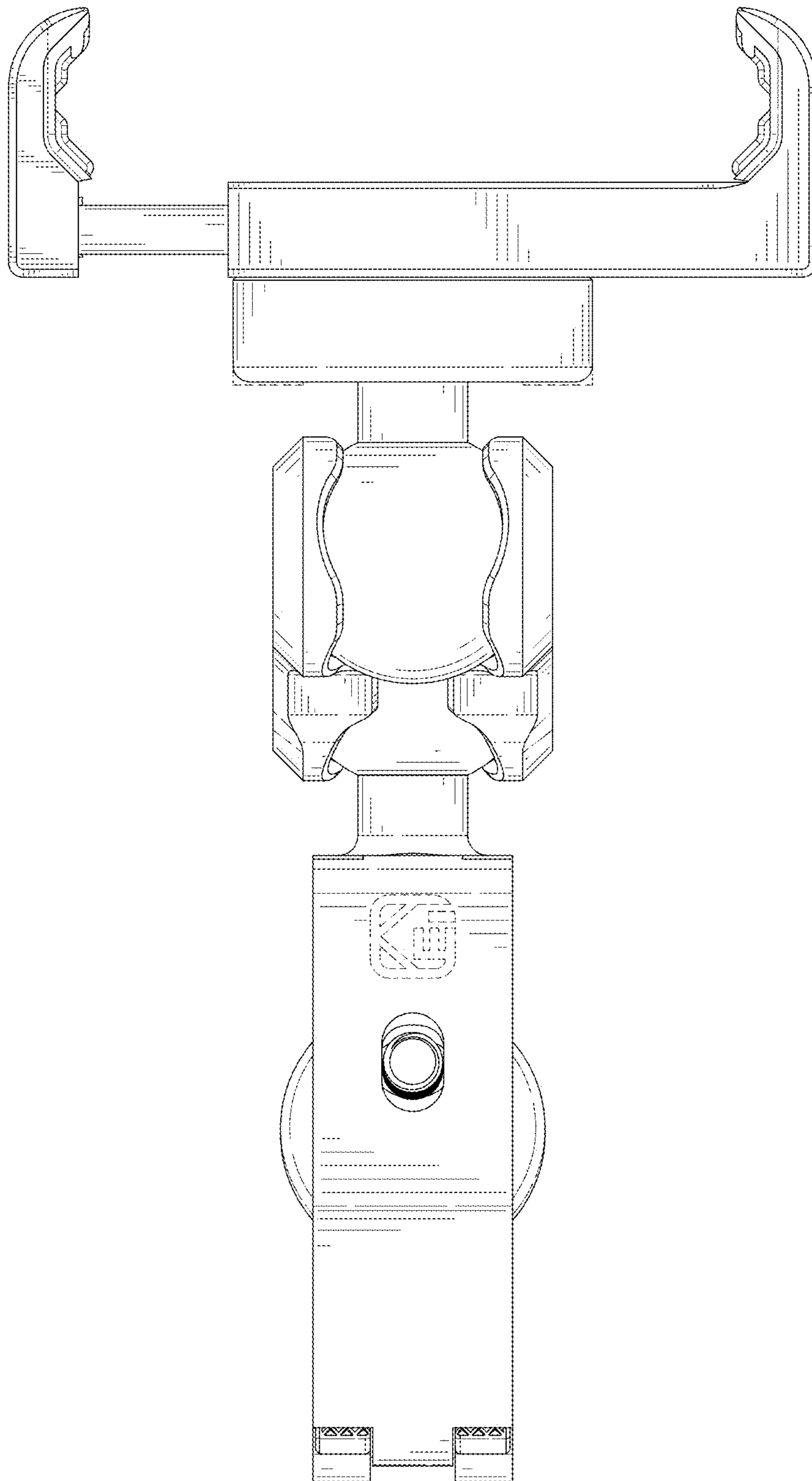


FIG. 8

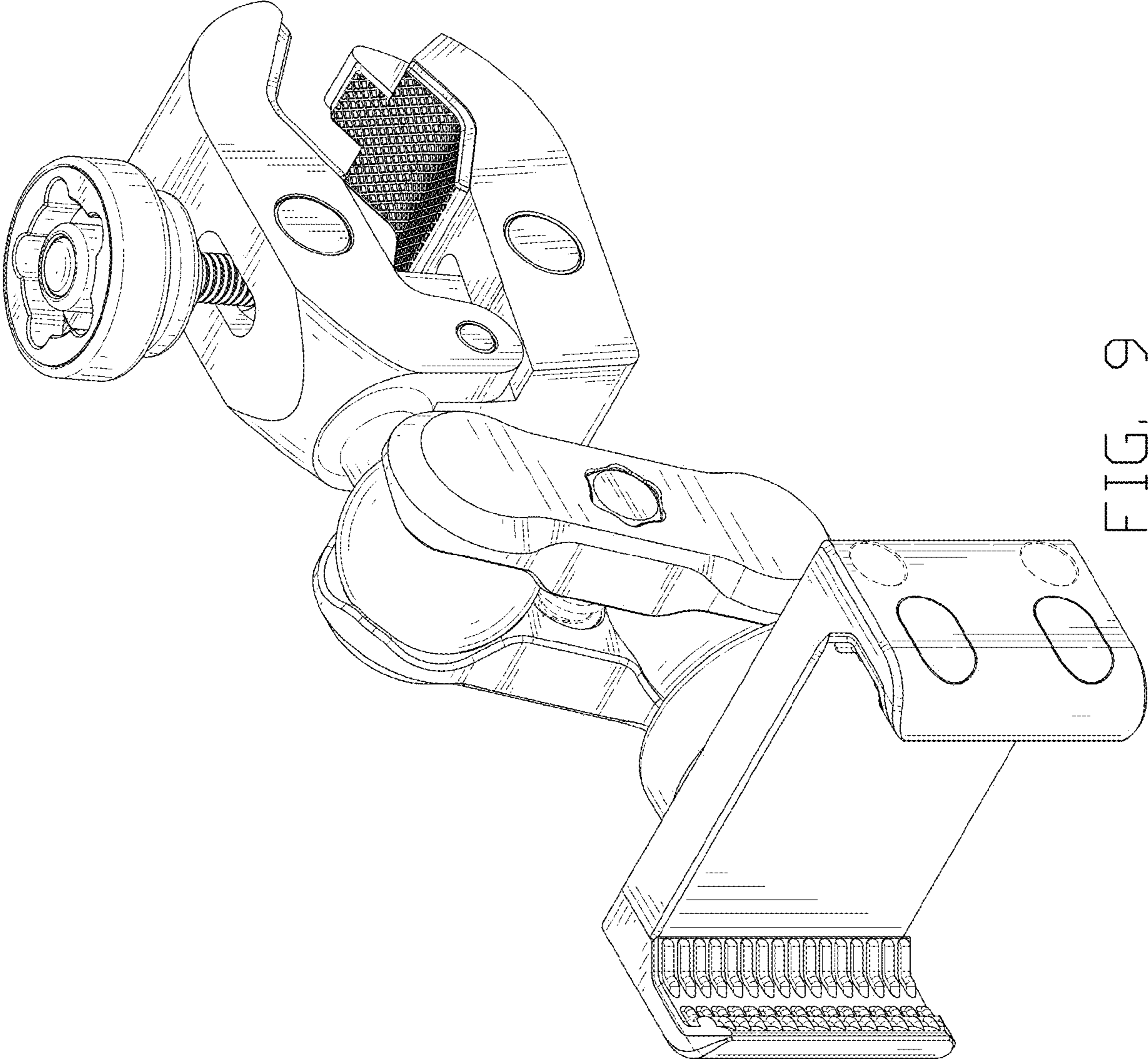


FIG. 9

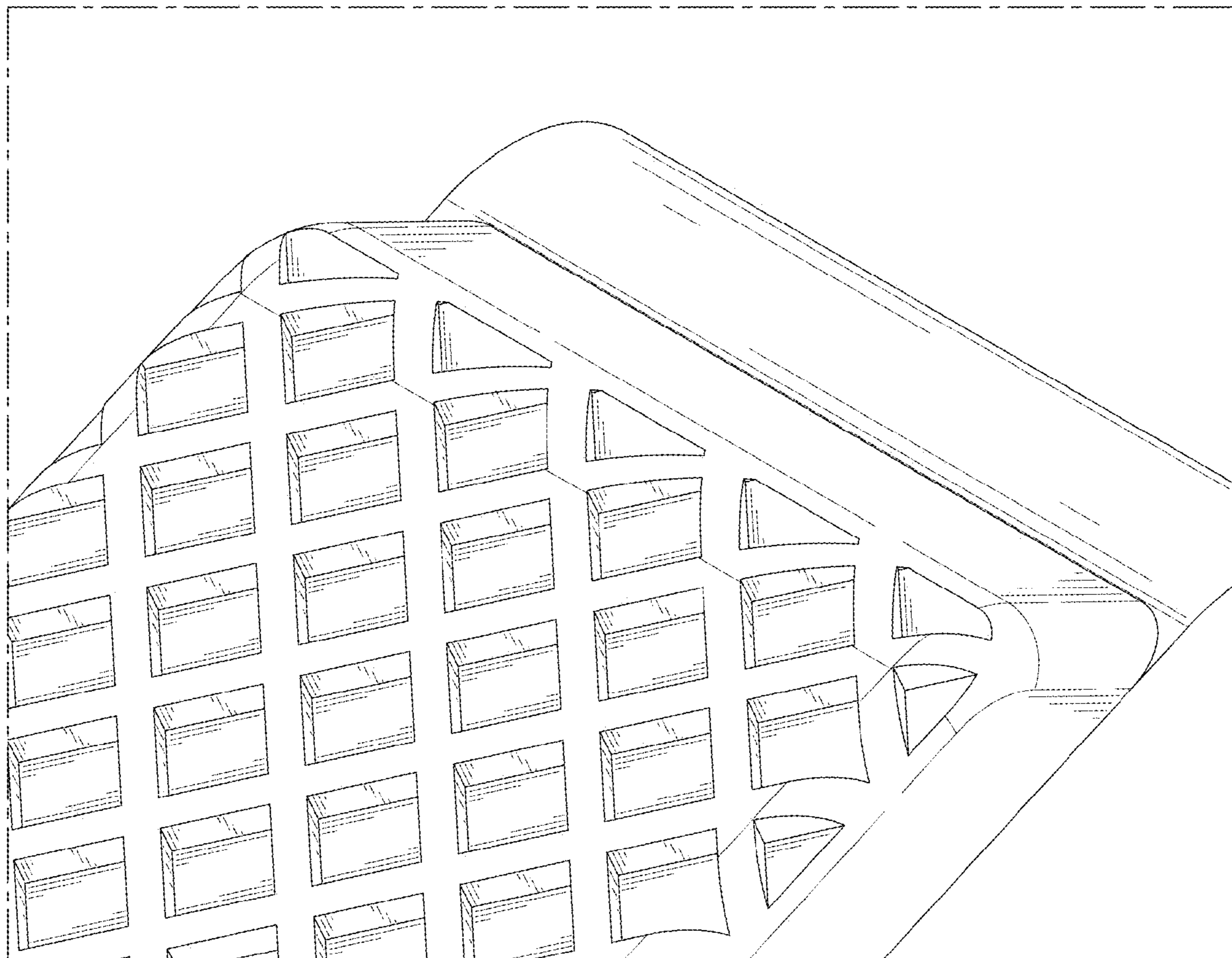


FIG. 10