



US00D988302S

(12) **United States Design Patent**
Wang et al.

(10) **Patent No.:** **US D988,302 S**
(45) **Date of Patent:** **** Jun. 6, 2023**

(54) **REPEATER FOR COMMUNICATIONS APPARATUS**

(71) Applicant: **SHENZHEN HUAPTEC CO., LTD.**,
Shenzhen (CN)

(72) Inventors: **Yanwei Wang**, Shenzhen (CN);
Zhiping Chen, Shenzhen (CN)

(73) Assignee: **SHENZHEN HUAPTEC CO., LTD.**,
Shenzhen (CN)

(**) Term: **15 Years**

(21) Appl. No.: **29/803,519**

(22) Filed: **Aug. 13, 2021**

(30) **Foreign Application Priority Data**

Aug. 3, 2021 (CN) 202130497681.8

(51) **LOC (14) Cl.** **14-03**

(52) **U.S. Cl.**
USPC **D14/240**

(58) **Field of Classification Search**
USPC D14/240, 242, 357, 358, 140-140.9, 155,
D14/125, 348, 349, 351, 354, 355
CPC H04L 12/00; H03K 17/00; H04W 88/00;
H04W 88/005; H04W 88/02; H04W
88/08; H04W 88/085; H04W 88/10;
H04W 88/12; H04W 88/14; H04B 1/38
See application file for complete search history.

(56) **References Cited**

U.S. PATENT DOCUMENTS

D460,443 S * 7/2002 Brunner D14/240
D628,573 S * 12/2010 Wang D14/356

D649,945 S * 12/2011 Kim D14/125
D659,037 S * 5/2012 Madsen D10/70
D659,690 S * 5/2012 Huang D14/138 G
D719,939 S * 12/2014 Liang D14/240
D733,080 S * 6/2015 Kuh D14/125
D791,749 S * 7/2017 Tzeng D14/242
D813,212 S * 3/2018 Nangeroni D14/240
D834,569 S * 11/2018 Moon D14/242
D956,732 S * 7/2022 Kwak D14/240
D960,135 S * 8/2022 Kim D14/240
D964,986 S * 9/2022 Zhang D14/433

FOREIGN PATENT DOCUMENTS

CN 307107867 * 2/2022

* cited by examiner

Primary Examiner — Bridget L Eland

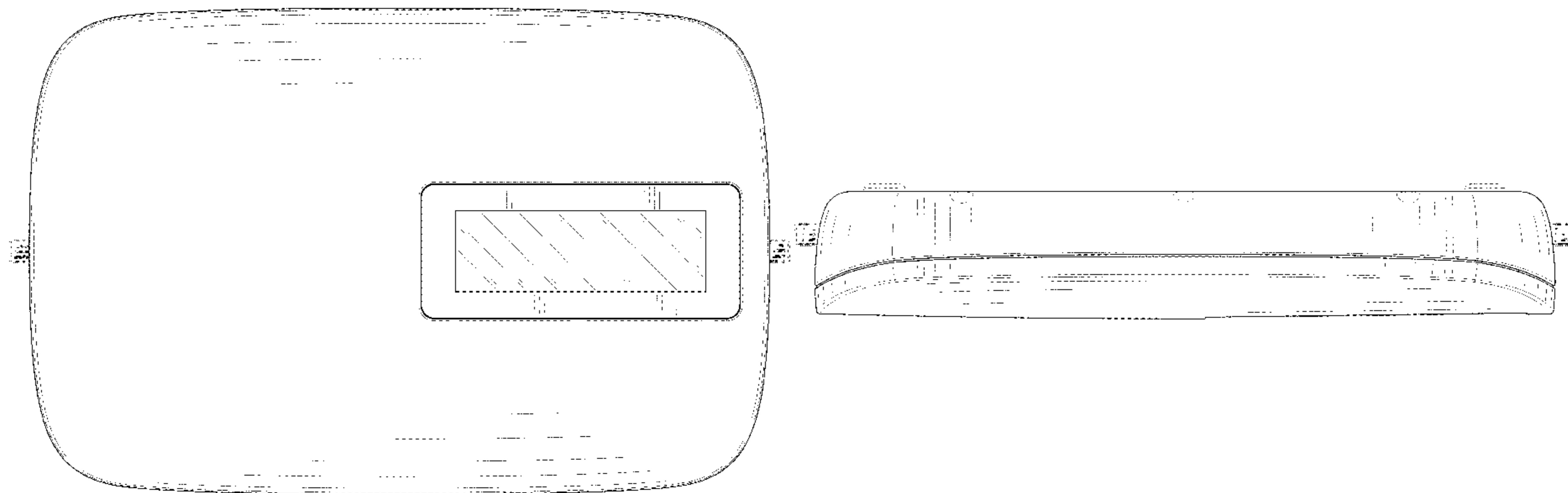
(57) **CLAIM**

The ornamental design for a repeater for communications apparatus, as shown and described.

DESCRIPTION

FIG. 1 is a bottom, front and right side perspective view of a repeater for communications apparatus showing my new design;
FIG. 2 is a top, rear and left side perspective view thereof;
FIG. 3 is a front elevational view thereof;
FIG. 4 is a rear elevational view thereof;
FIG. 5 is a left side elevational view thereof;
FIG. 6 is a right side elevational view thereof;
FIG. 7 is a top plan view thereof; and,
FIG. 8 is a bottom plan view thereof.
The broken lines in the drawings are for the purpose of illustrating portions of the repeater for communications apparatus that form no part of the claimed design.

1 Claim, 8 Drawing Sheets



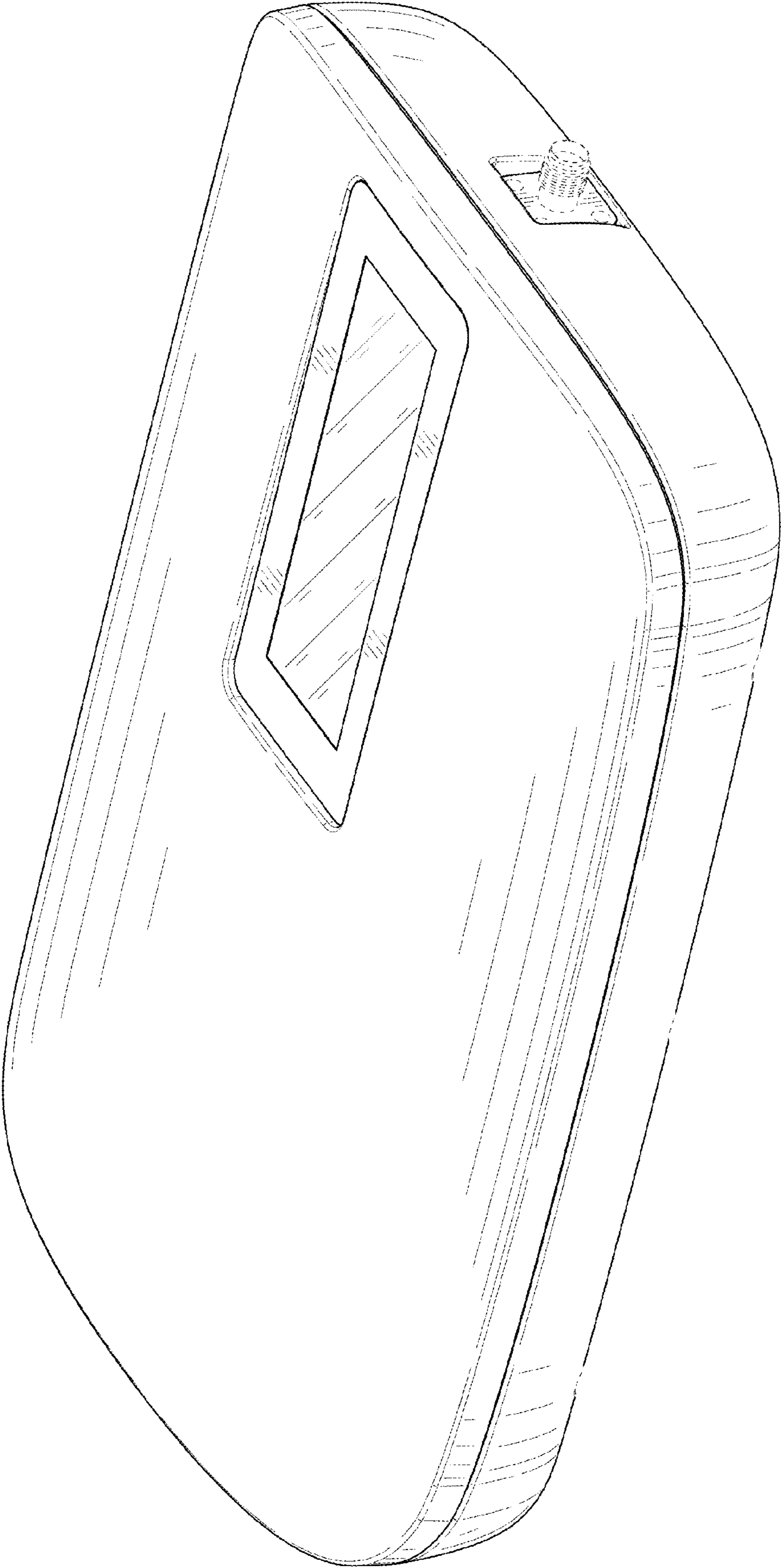


FIG. 1

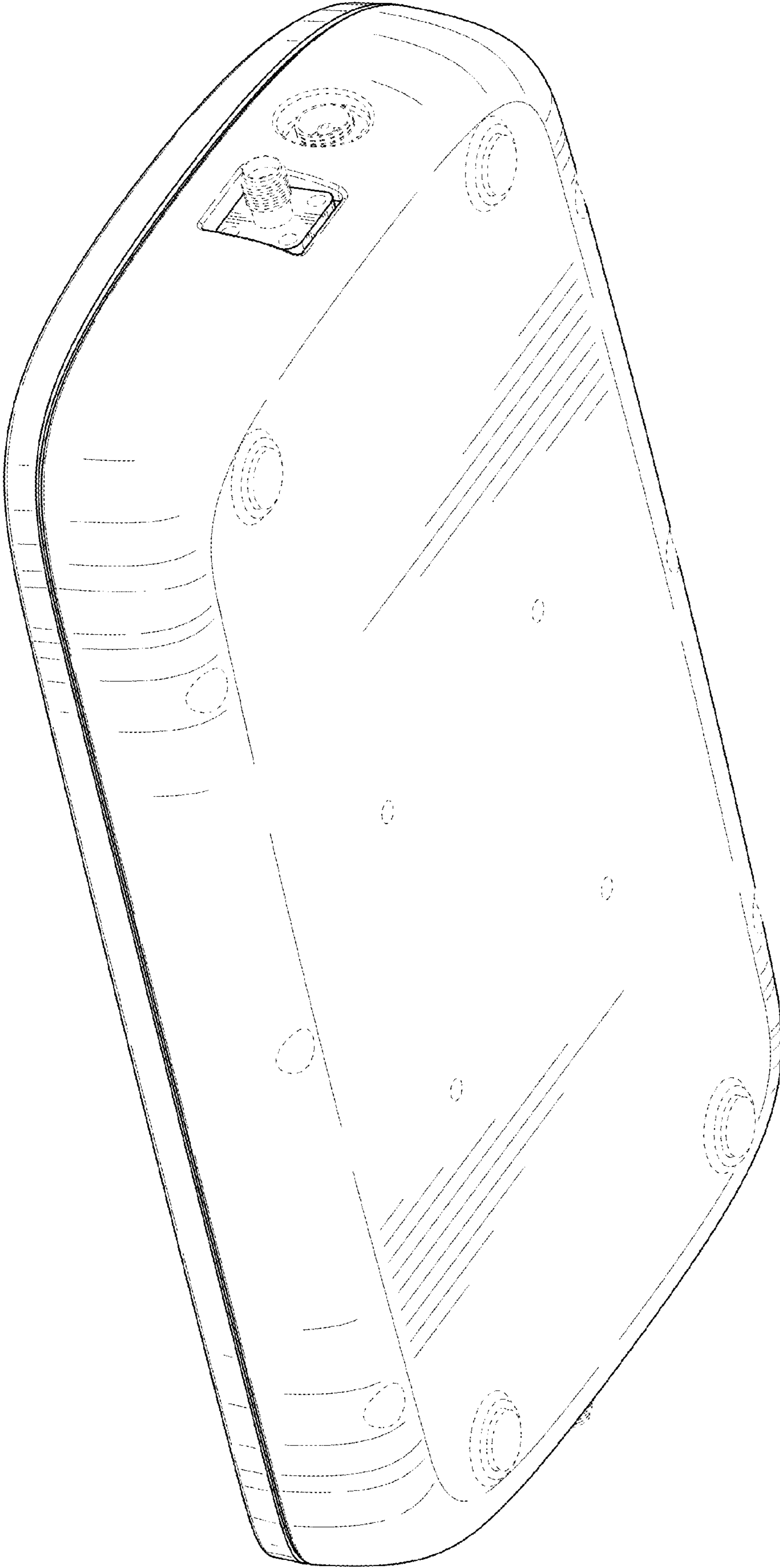


FIG. 2

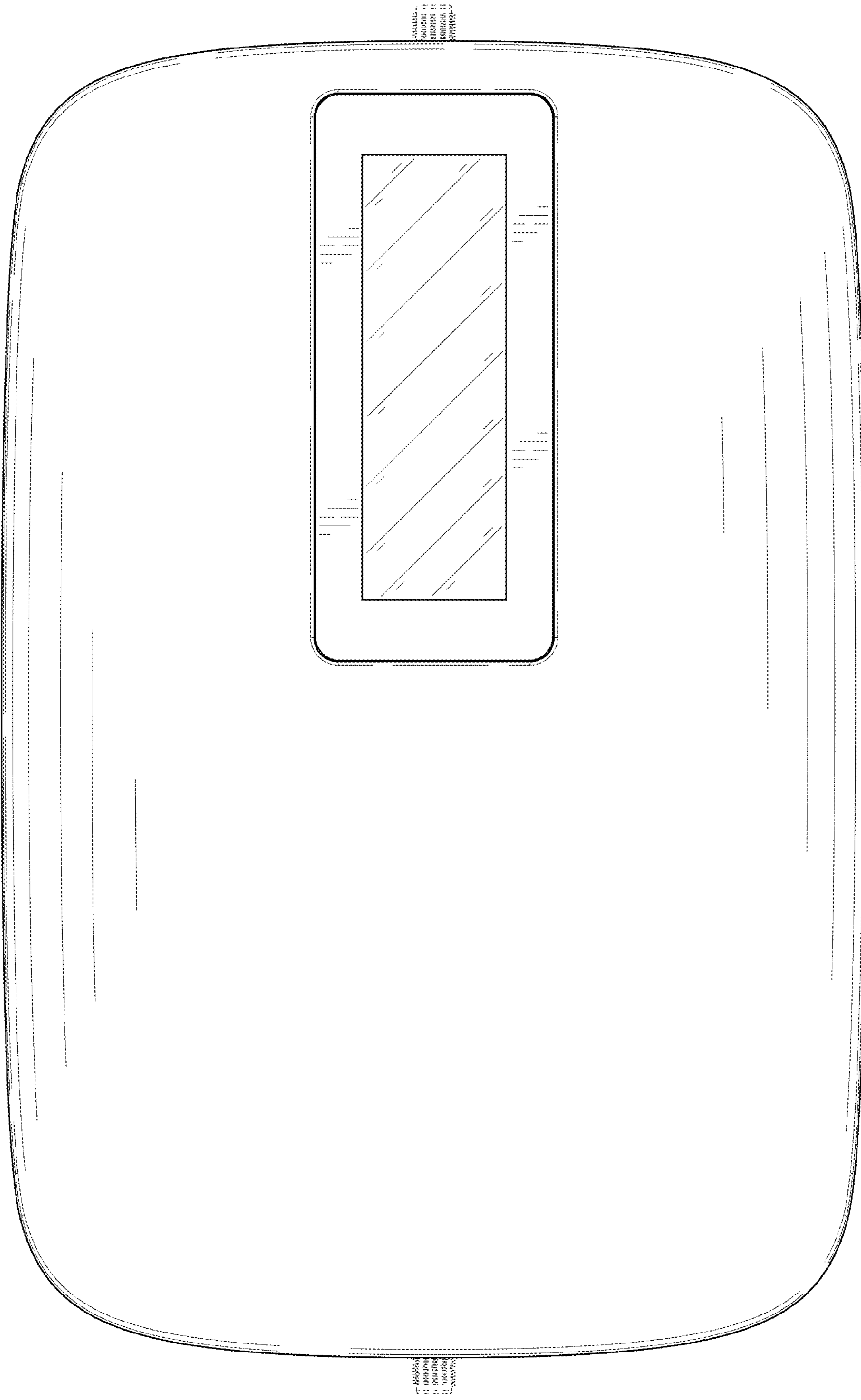


FIG. 3

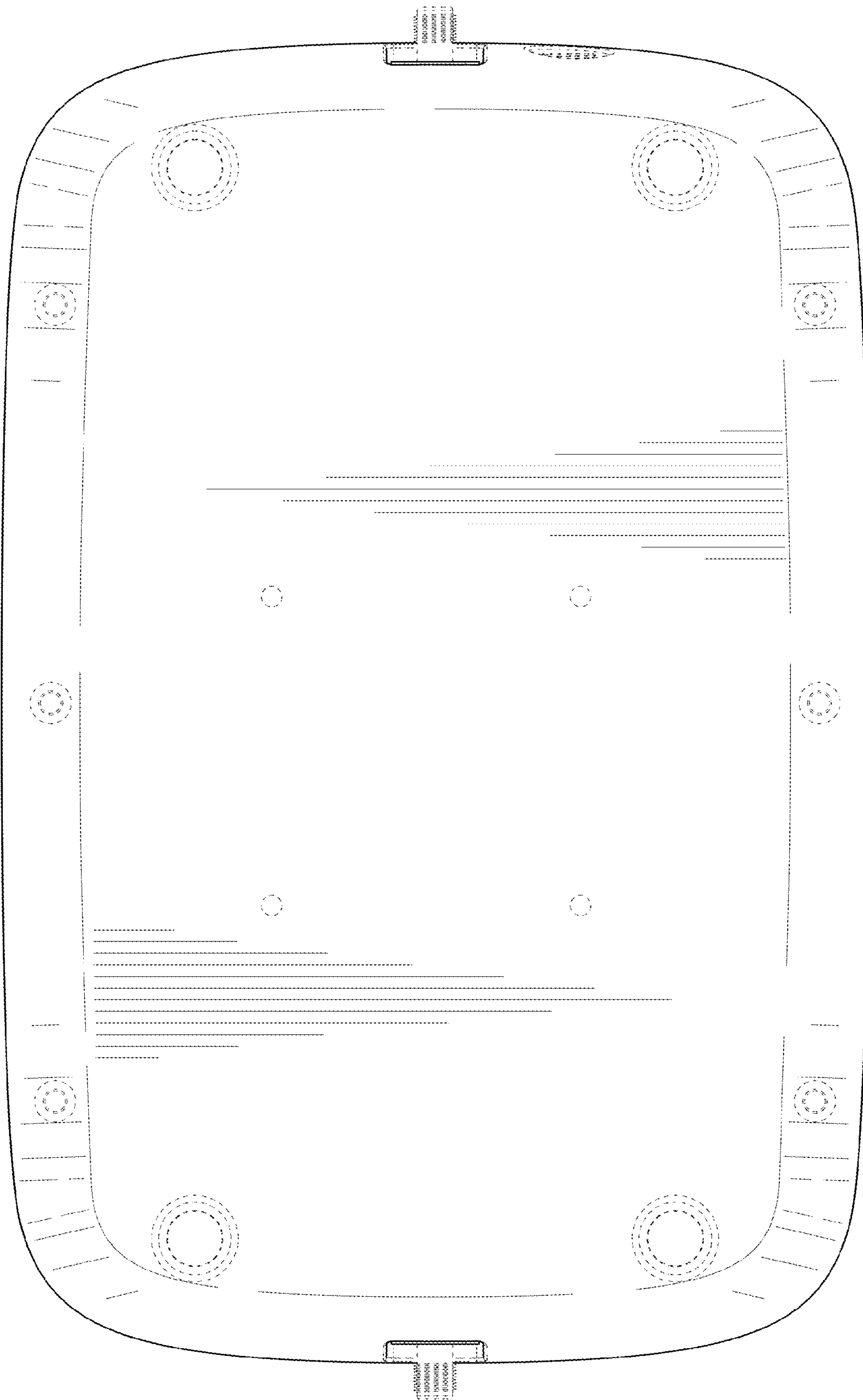


FIG. 4

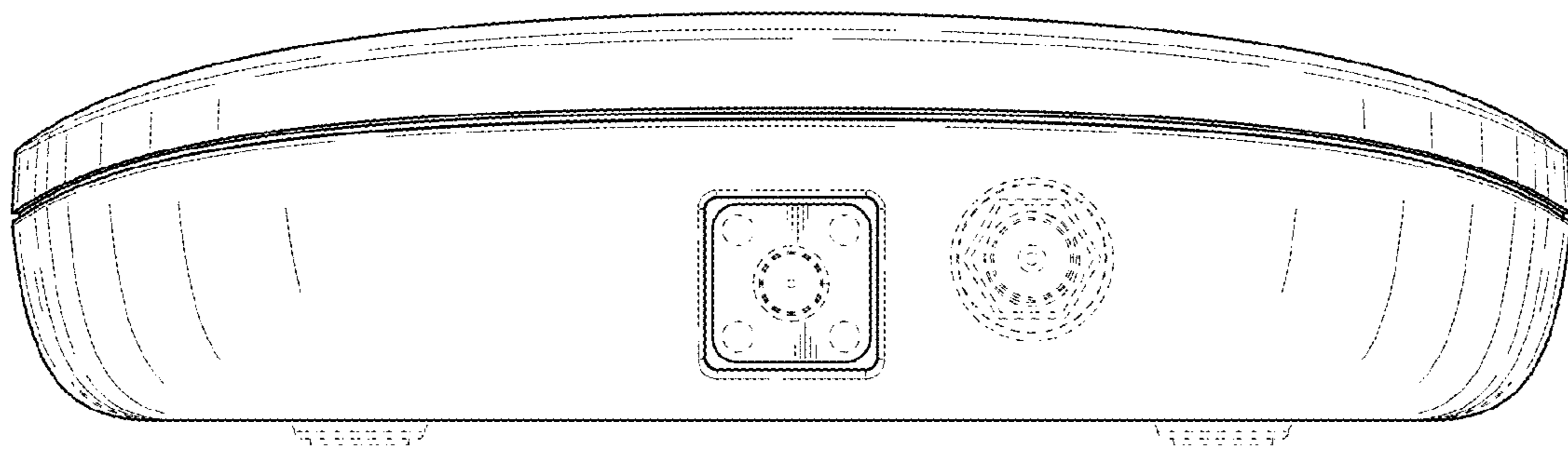


FIG. 5

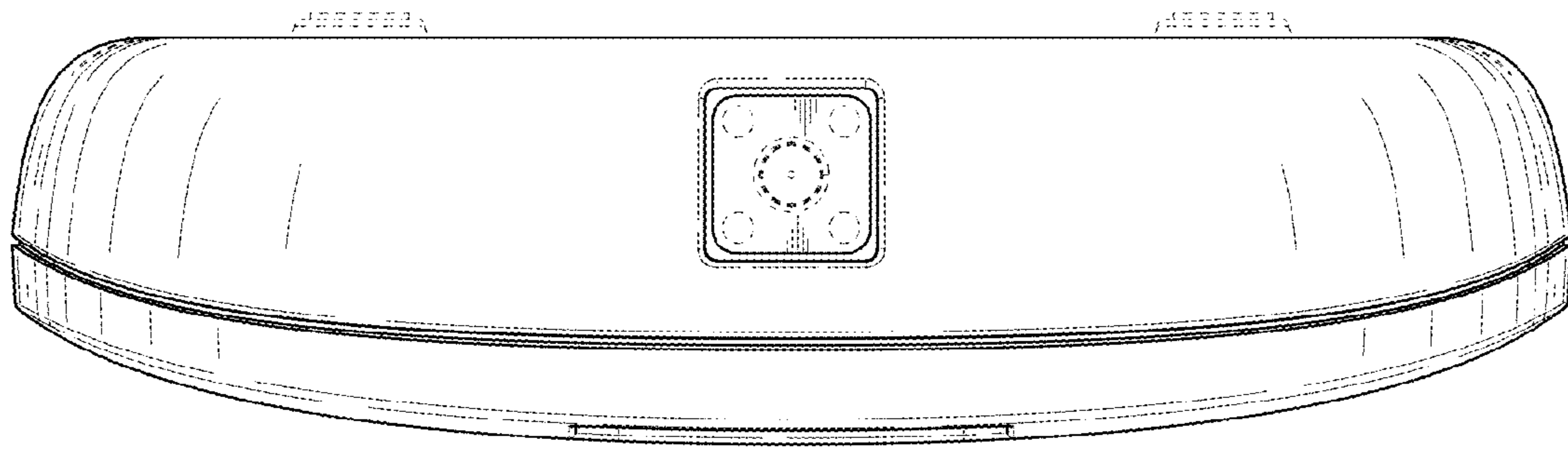


FIG. 6

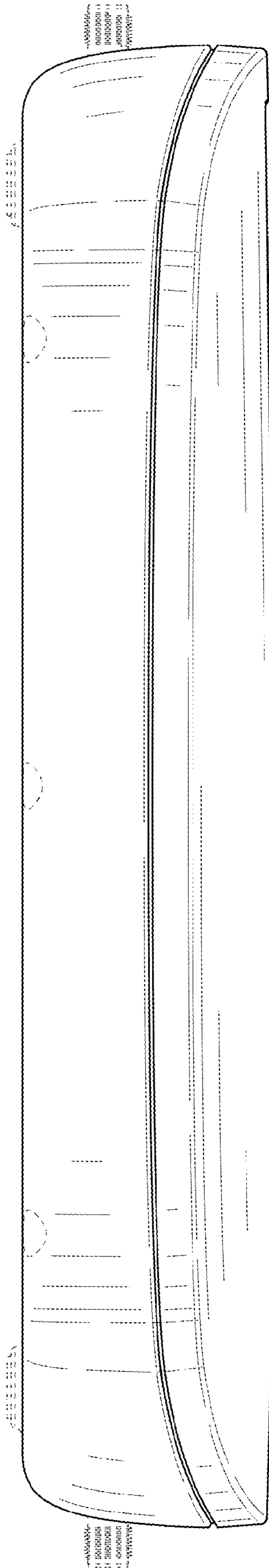


FIG. 7

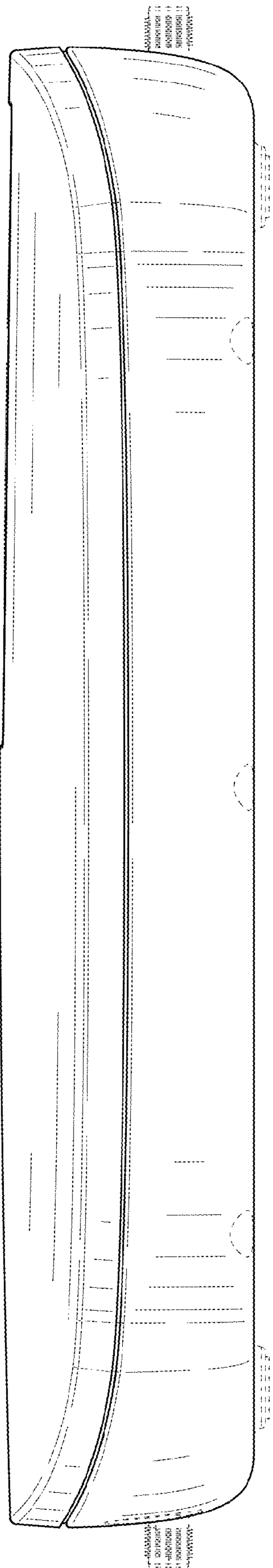


FIG. 8