



US00D988298S

(12) **United States Design Patent**
Hu

(10) **Patent No.:** **US D988,298 S**
(45) **Date of Patent:** **** Jun. 6, 2023**

(54) **WIRELESS EARPHONE**

(71) Applicant: **Si Ya Hu**, Changde (CN)

(72) Inventor: **Si Ya Hu**, Changde (CN)

(**) Term: **15 Years**

(21) Appl. No.: **29/886,005**

(22) Filed: **Mar. 3, 2023**

Related U.S. Application Data

(62) Division of application No. 29/881,398, filed on Dec. 30, 2022.

(30) **Foreign Application Priority Data**

Oct. 9, 2022 (CN) 202230662170.1

(51) **LOC (14) Cl.** **14-01**

(52) **U.S. Cl.**
USPC **D14/223**

(58) **Field of Classification Search**
USPC D14/223, 205, 206; D24/174;
128/864-866; 381/380-381
CPC H04R 25/00; H04R 25/02; H04R 1/10;
H04R 1/1066; H04R 1/1016; H04R
5/033; H04R 5/0335; H04R 1/1083;
H04R 1/105; H04R 1/1091; H04R 1/1033
See application file for complete search history.

(56) **References Cited**

U.S. PATENT DOCUMENTS

1,561,149 A * 11/1925 Gage F21V 5/00
D26/124
D517,054 S * 3/2006 Yang D14/223
D520,497 S * 5/2006 Yang D14/223
D531,169 S * 10/2006 Tokioka D14/223
D537,812 S * 3/2007 Erich D14/206
D564,500 S * 3/2008 Wang D14/223
D565,033 S * 3/2008 Goransson D14/223
D577,003 S * 9/2008 Yang D14/206

D590,814 S * 4/2009 Bradford D14/223
D606,049 S * 12/2009 Matsuda D14/223
D625,710 S * 10/2010 Yang D14/223
D628,194 S * 11/2010 Koch D14/223
D649,958 S * 12/2011 Park D14/223

(Continued)

FOREIGN PATENT DOCUMENTS

JP D1715964 * 5/2022

Primary Examiner — Paula Allen Greene

(74) *Attorney, Agent, or Firm* — Daniel M. Cohn;
Howard M. Cohn

(57) **CLAIM**

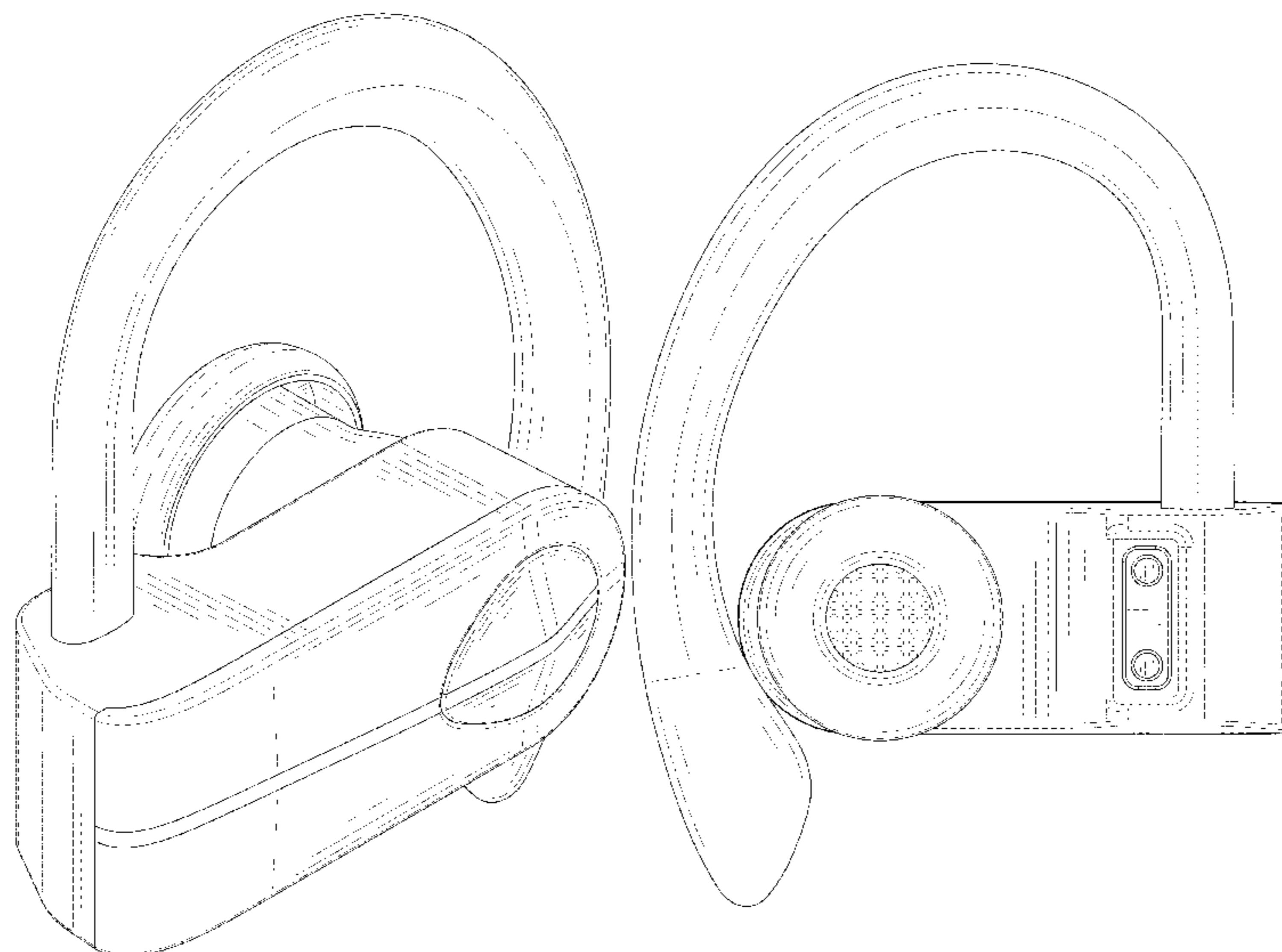
The ornamental design for a wireless earphone, as shown and described.

DESCRIPTION

FIG. 1 is a perspective view of a first embodiment of a wireless earphone showing my new design; FIG. 2 is another perspective view thereof; FIG. 3 is a front elevational view thereof; FIG. 4 is a rear elevational view thereof; FIG. 5 is a left side elevational view thereof; FIG. 6 is a right side elevational view thereof; FIG. 7 is a top plan view thereof; FIG. 8 is a bottom plan view thereof; FIG. 9 is a perspective view of a second embodiment of the wireless earphone; FIG. 10 is another perspective view thereof; FIG. 11 is a front elevational view thereof; FIG. 12 is a rear elevational view thereof; FIG. 13 is a left side elevational view thereof; FIG. 14 is a right side elevational view thereof; FIG. 15 is a top plan view thereof; and, FIG. 16 is a bottom plan view thereof.

The broken lines in the drawings depict portions of the wireless earphone that form no part of the claimed design.

1 Claim, 16 Drawing Sheets



(56)

References Cited

U.S. PATENT DOCUMENTS

8,090,135 B2 * 1/2012 Lin H04R 1/083
 381/381
 D669,887 S * 10/2012 Maddern D14/223
 D690,288 S * 9/2013 Son D14/223
 8,655,005 B2 * 2/2014 Birger H04R 1/1091
 381/381
 D838,692 S * 1/2019 Fu D14/223
 D843,344 S * 3/2019 Zhu D14/205
 10,477,307 B1 * 11/2019 Zhang H04R 1/44
 D881,164 S 4/2020 Luo
 D888,022 S * 6/2020 McCune D14/223
 D888,023 S * 6/2020 Gao D14/223
 D888,685 S * 6/2020 Lin D14/205
 D890,125 S * 7/2020 Feng D14/223
 D890,137 S * 7/2020 Ma D14/223
 D899,406 S * 10/2020 Ma D14/223
 D904,761 S * 12/2020 Koneru D3/274
 D904,762 S * 12/2020 Koneru D3/274
 D904,901 S * 12/2020 Koneru D9/721
 D907,608 S * 1/2021 Xie D14/223
 D912,015 S * 3/2021 Xie D14/223
 D914,651 S * 3/2021 Xie D14/223
 D915,356 S * 4/2021 Gao D14/223

D915,357 S * 4/2021 Gao D14/223
 D928,123 S * 8/2021 Gao D14/223
 D944,232 S 2/2022 Yi et al.
 D965,568 S * 10/2022 Hong D14/223
 D967,806 S * 10/2022 Cai D14/223
 D967,808 S * 10/2022 Tan D14/223
 D974,335 S * 1/2023 Ma D14/223
 D975,058 S * 1/2023 Zhang D14/223
 D978,114 S * 2/2023 He D14/223
 D980,195 S * 3/2023 Tan D14/223
 2003/0012396 A1 * 1/2003 Smith H04R 1/105
 381/381
 2008/0232632 A1 * 9/2008 Liu H04M 1/05
 381/381
 2009/0116678 A1 * 5/2009 Bevirt H04M 1/05
 381/381
 2010/0166208 A1 * 7/2010 Kato H04R 1/1033
 381/74
 2011/0261988 A1 * 10/2011 Kromann H04R 1/1016
 381/380
 2017/0105679 A1 * 4/2017 Gil A61B 5/332
 2018/0275950 A1 * 9/2018 Takagi A61B 5/6817
 2020/0100011 A1 * 3/2020 Bruss H04R 1/1016
 2020/0154196 A1 * 5/2020 Kolton H04R 1/1066
 2020/0314518 A1 * 10/2020 Hatfield H04R 1/1041

* cited by examiner

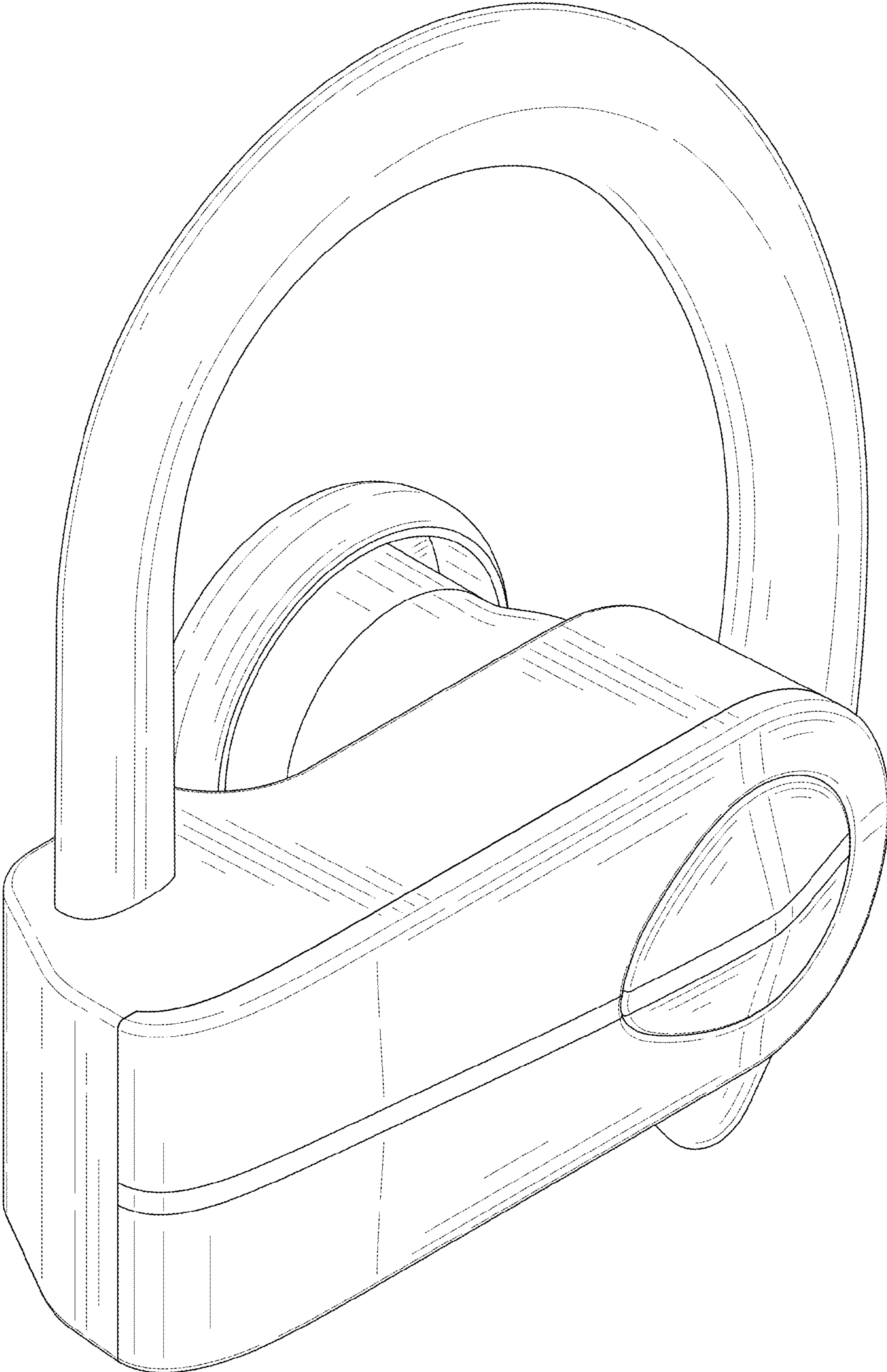


FIG. 1

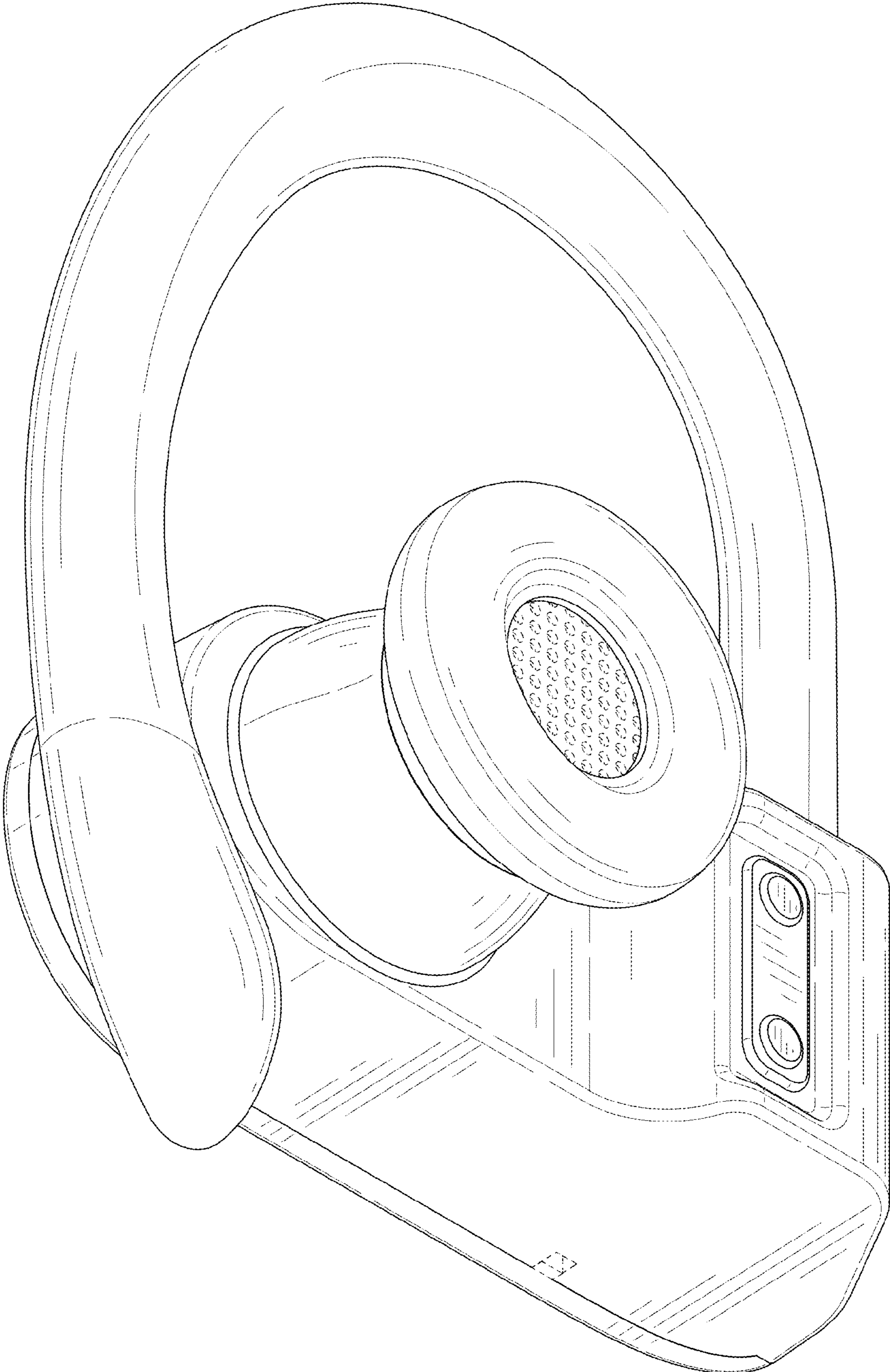


FIG. 2

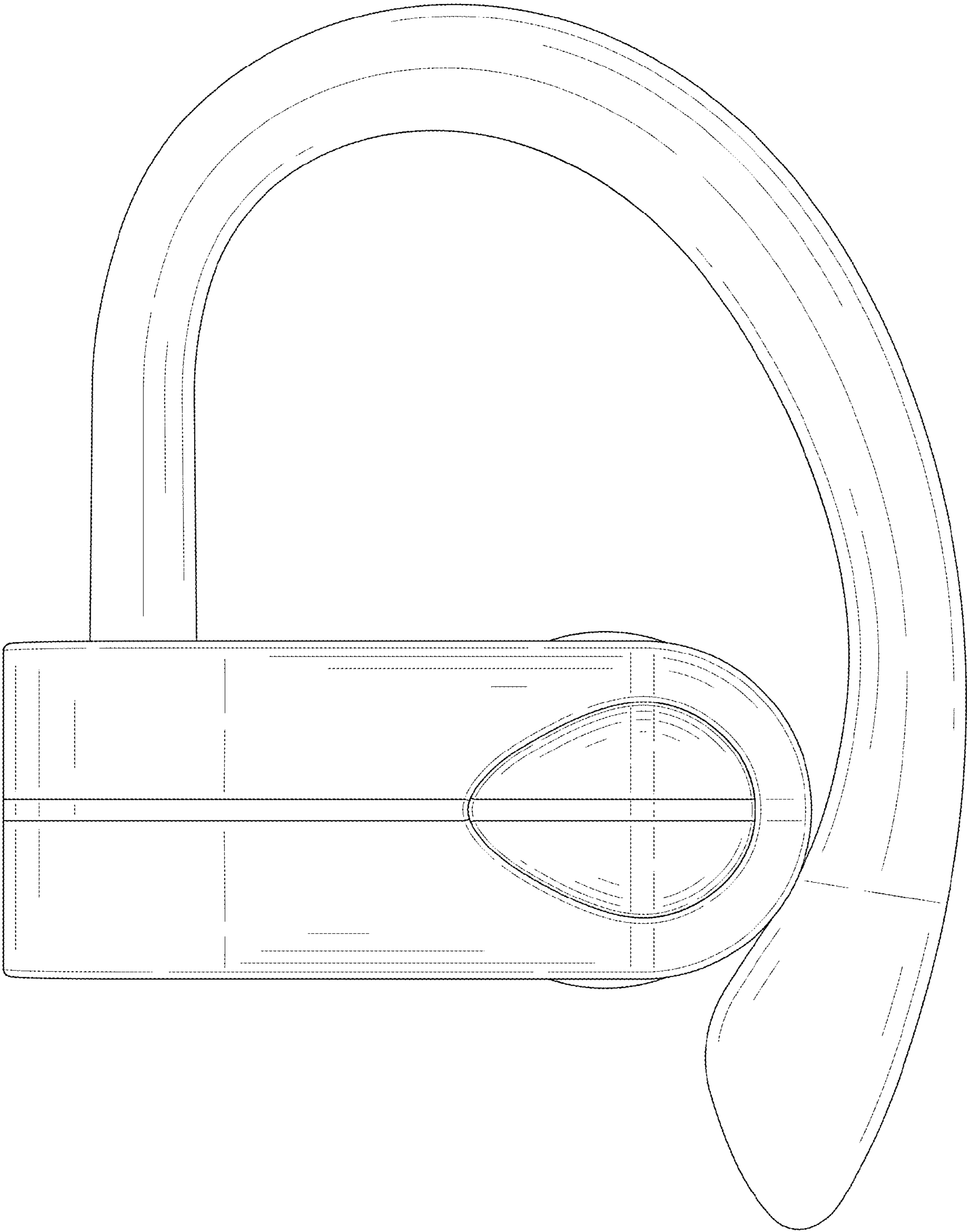


FIG. 3

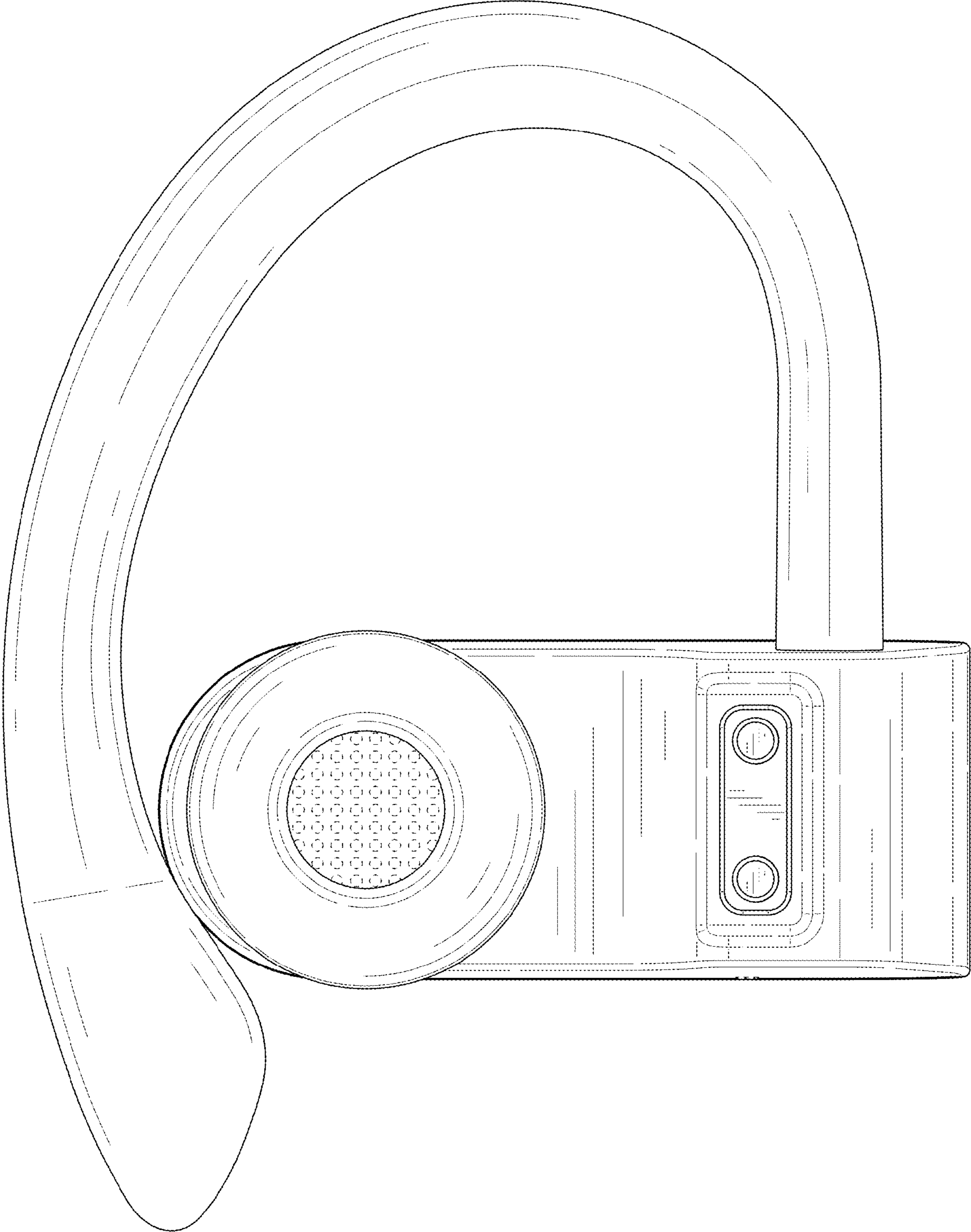


FIG. 4

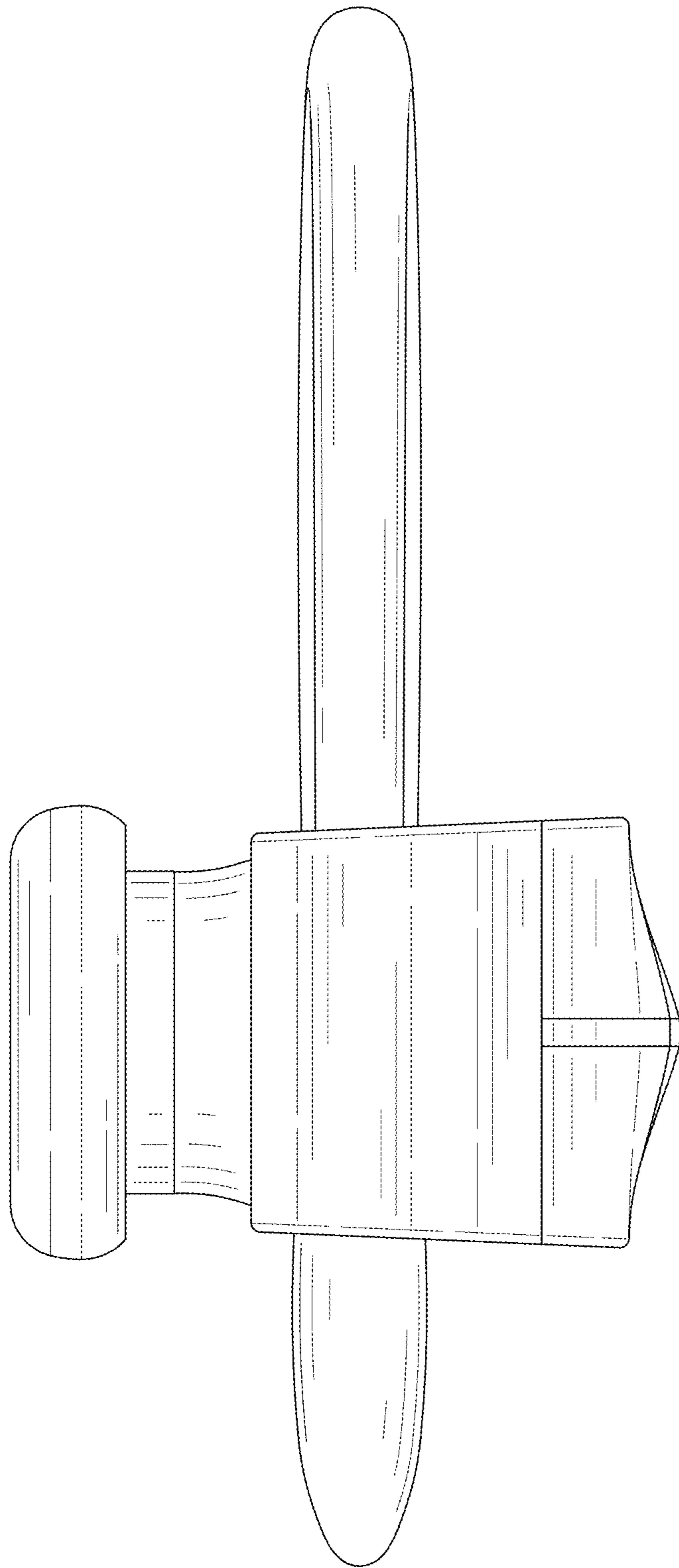


FIG. 5

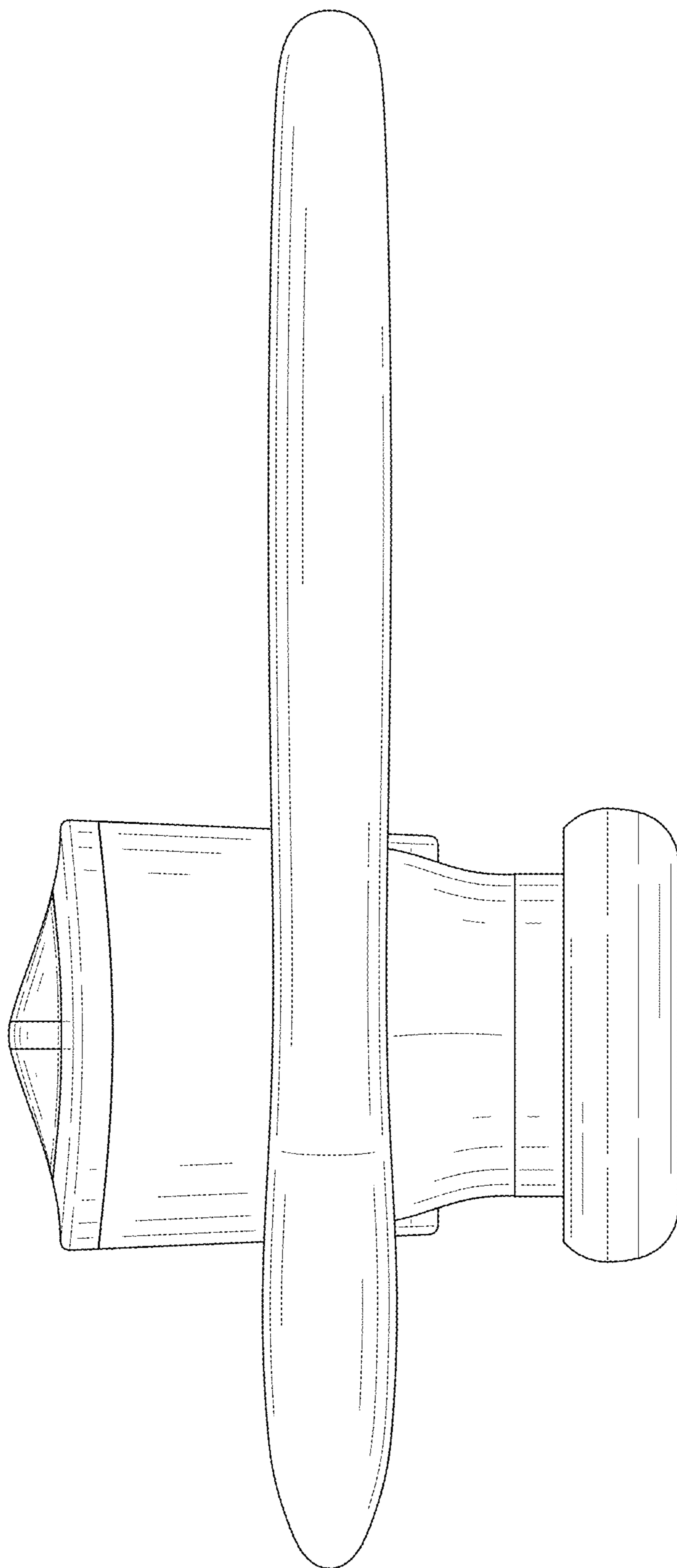


FIG. 6

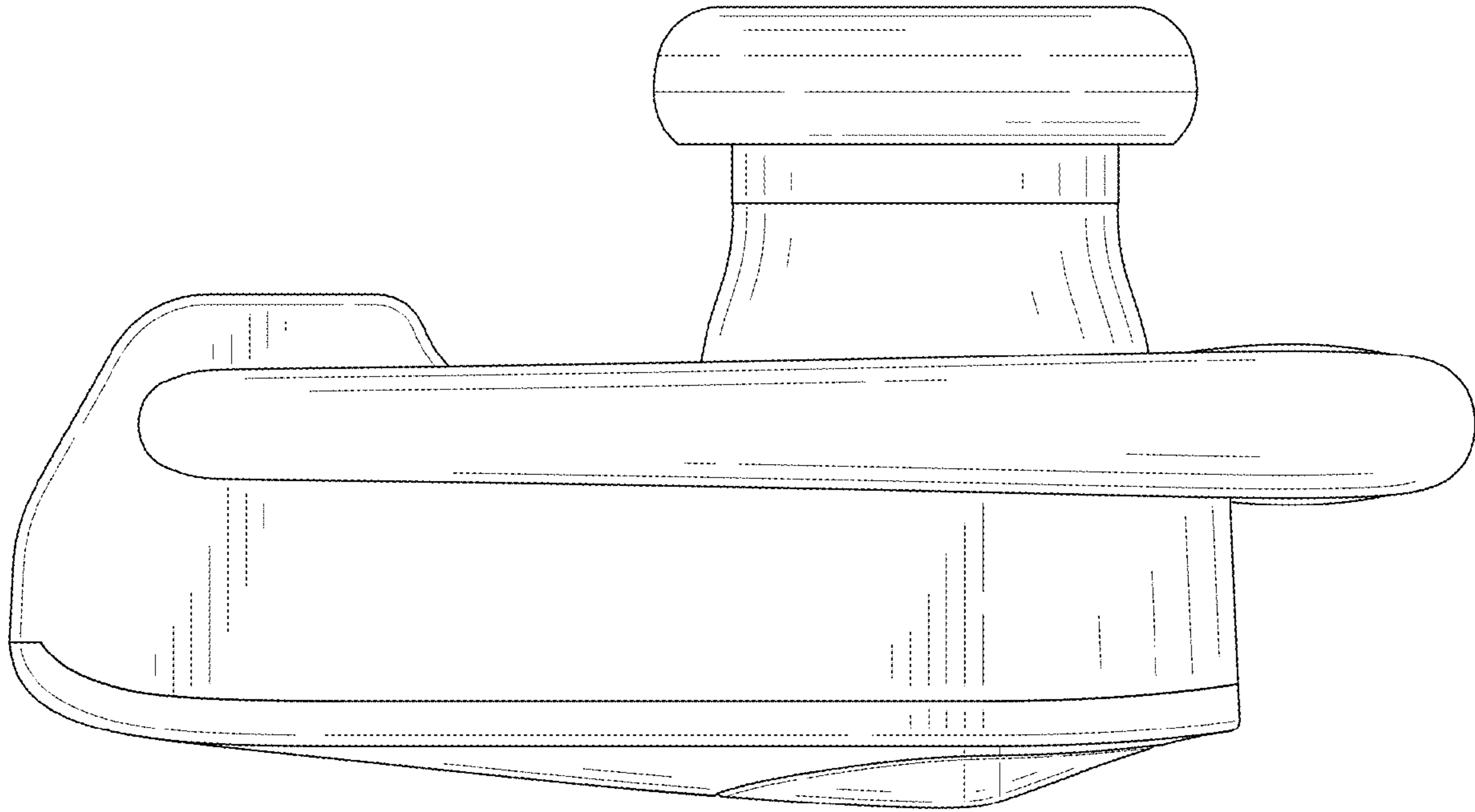


FIG. 7

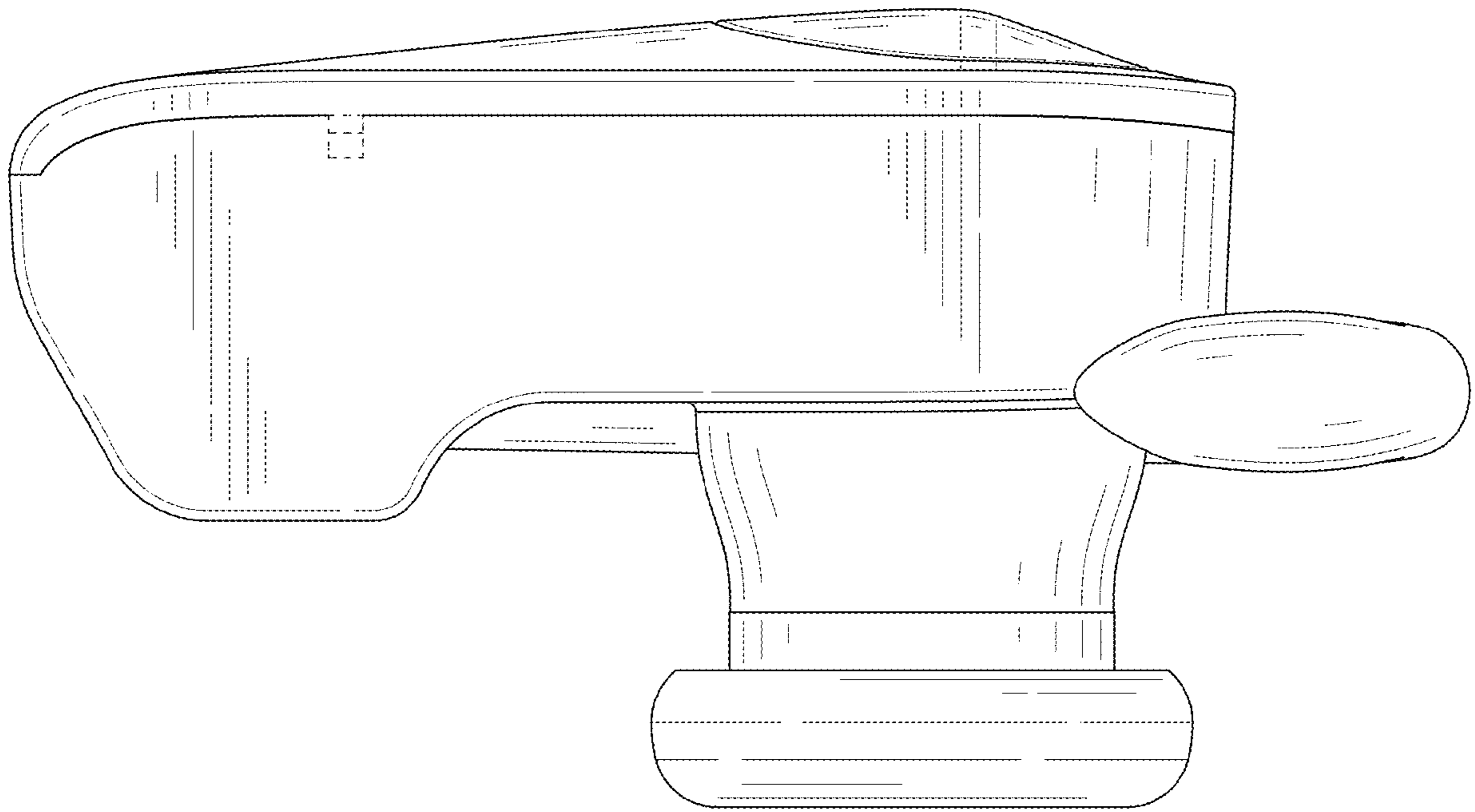


FIG. 8

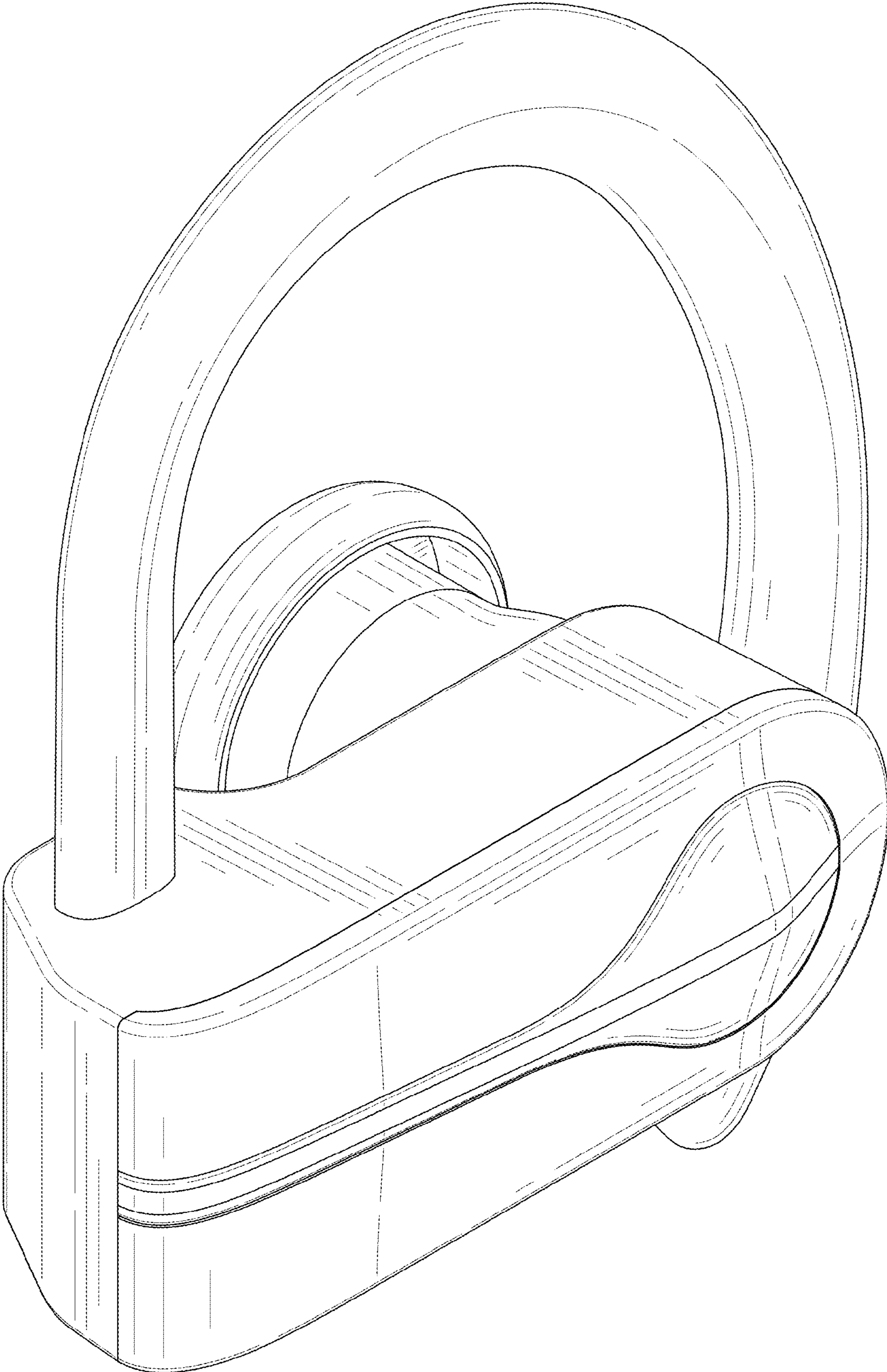


FIG. 9

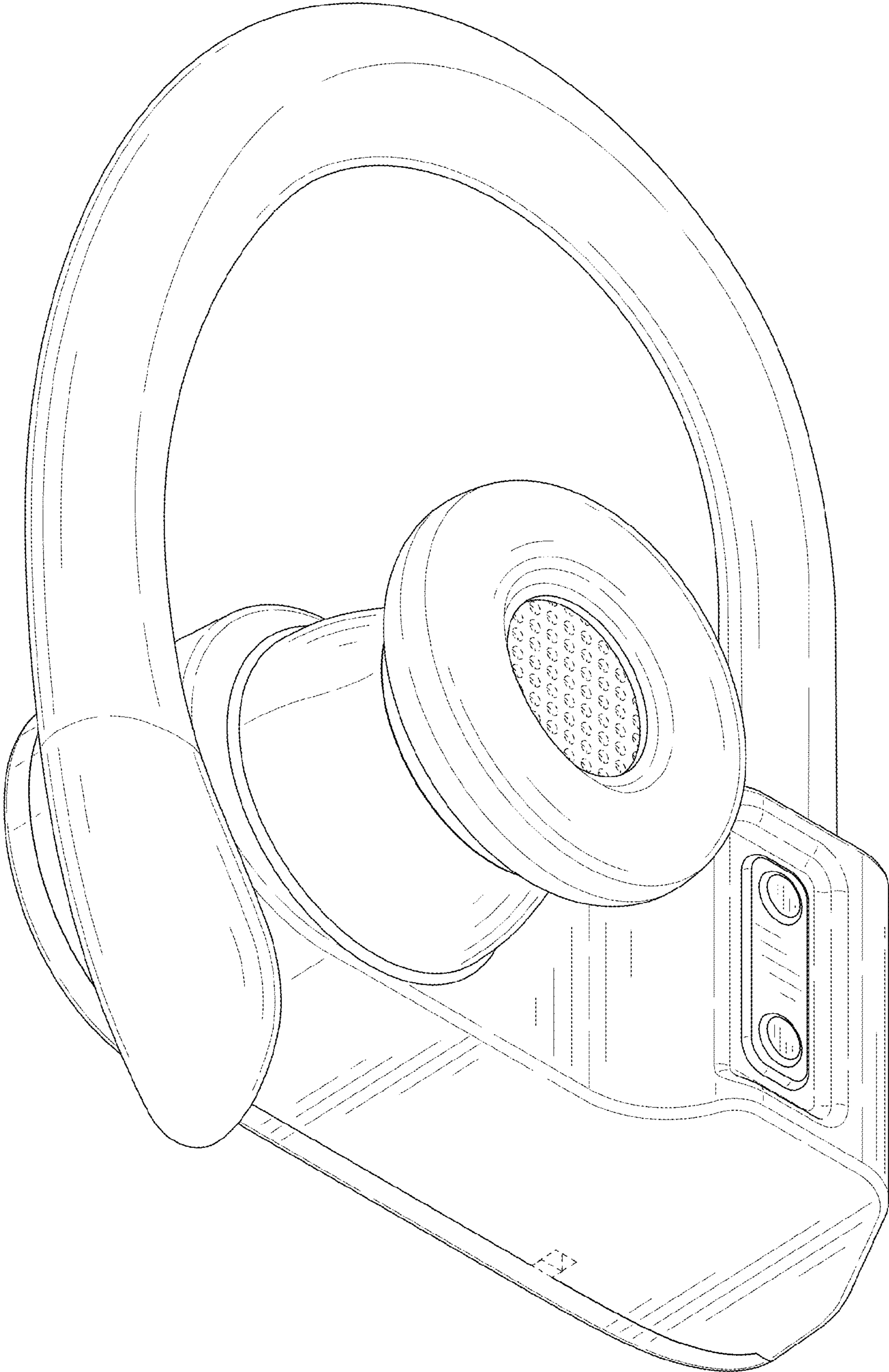


FIG. 10

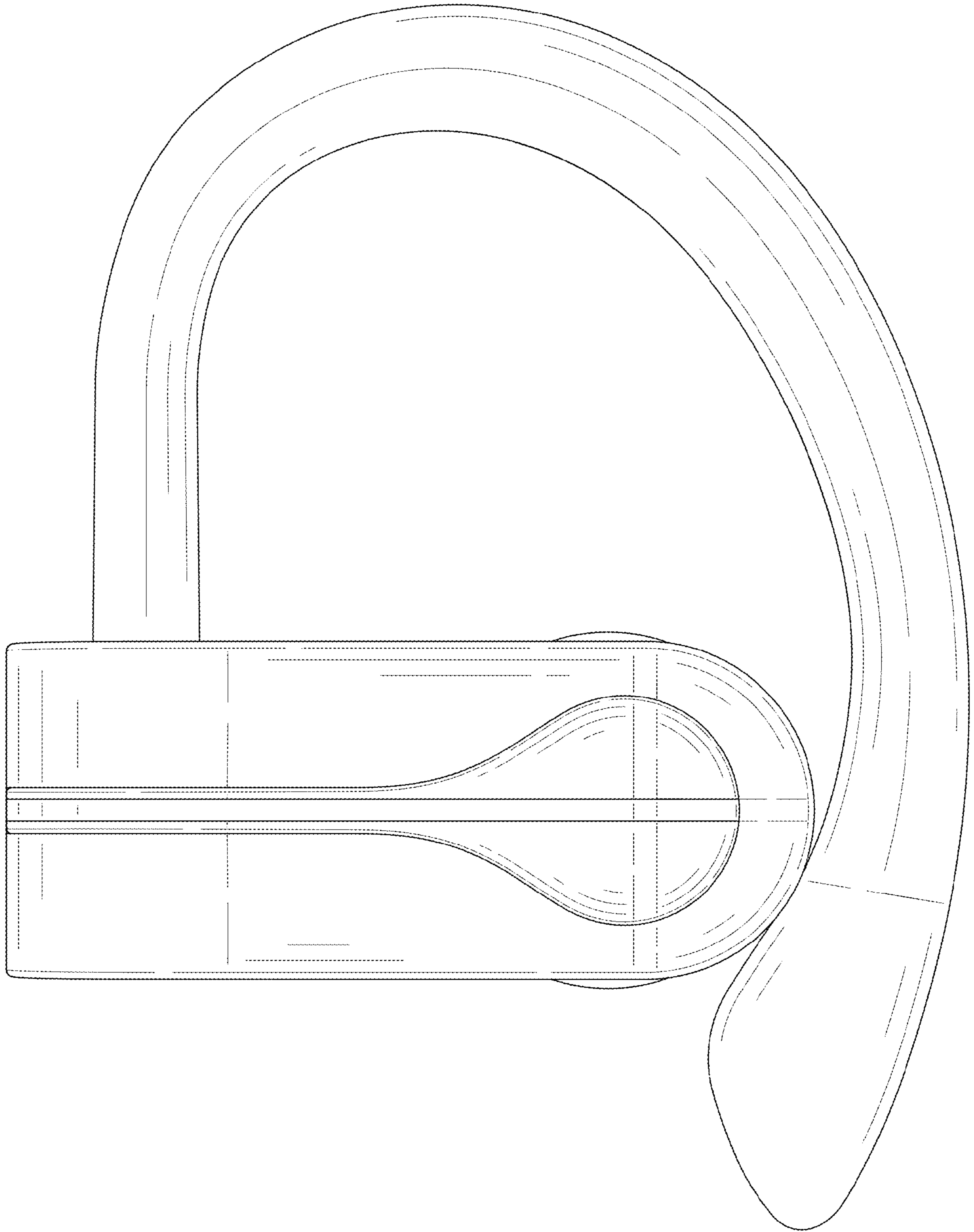


FIG. 11

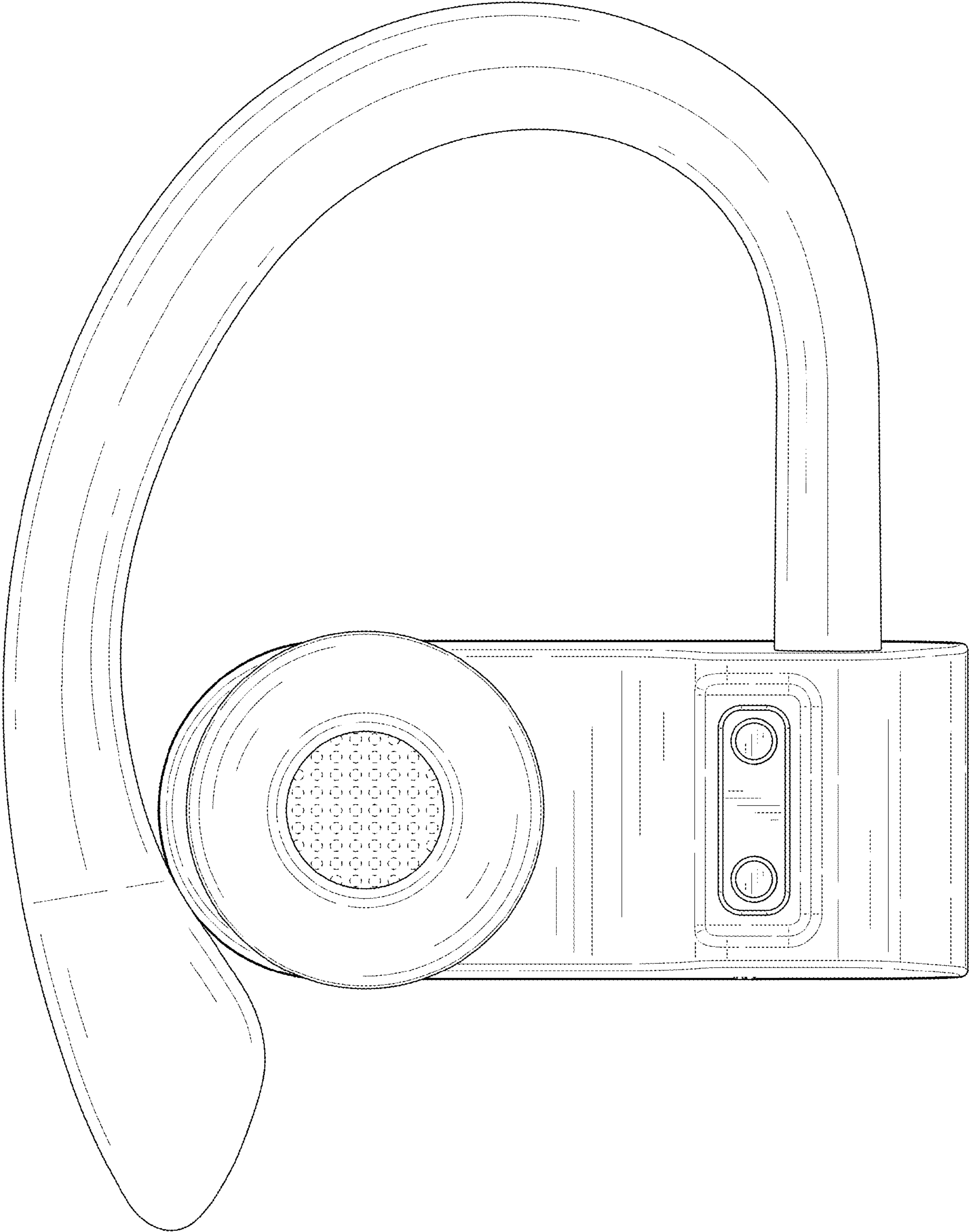


FIG. 12

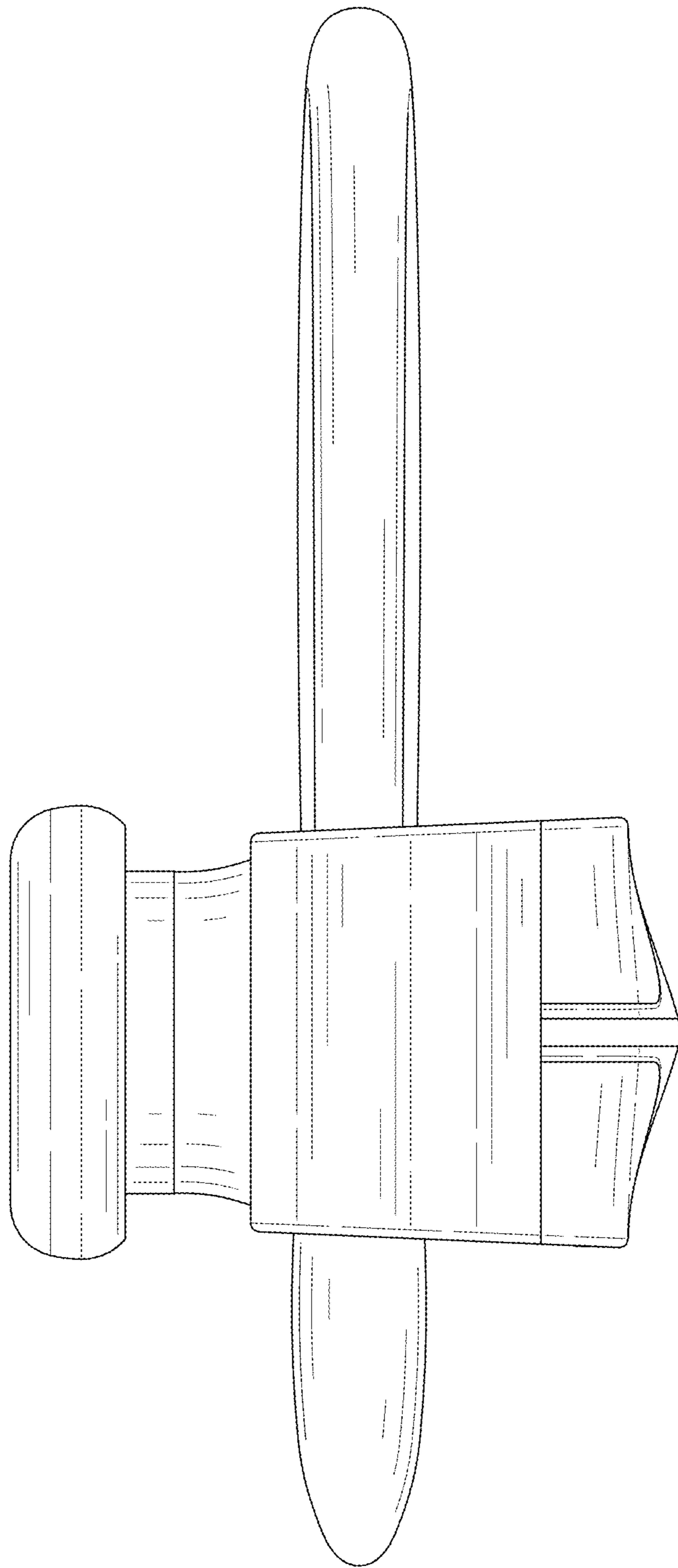


FIG. 13

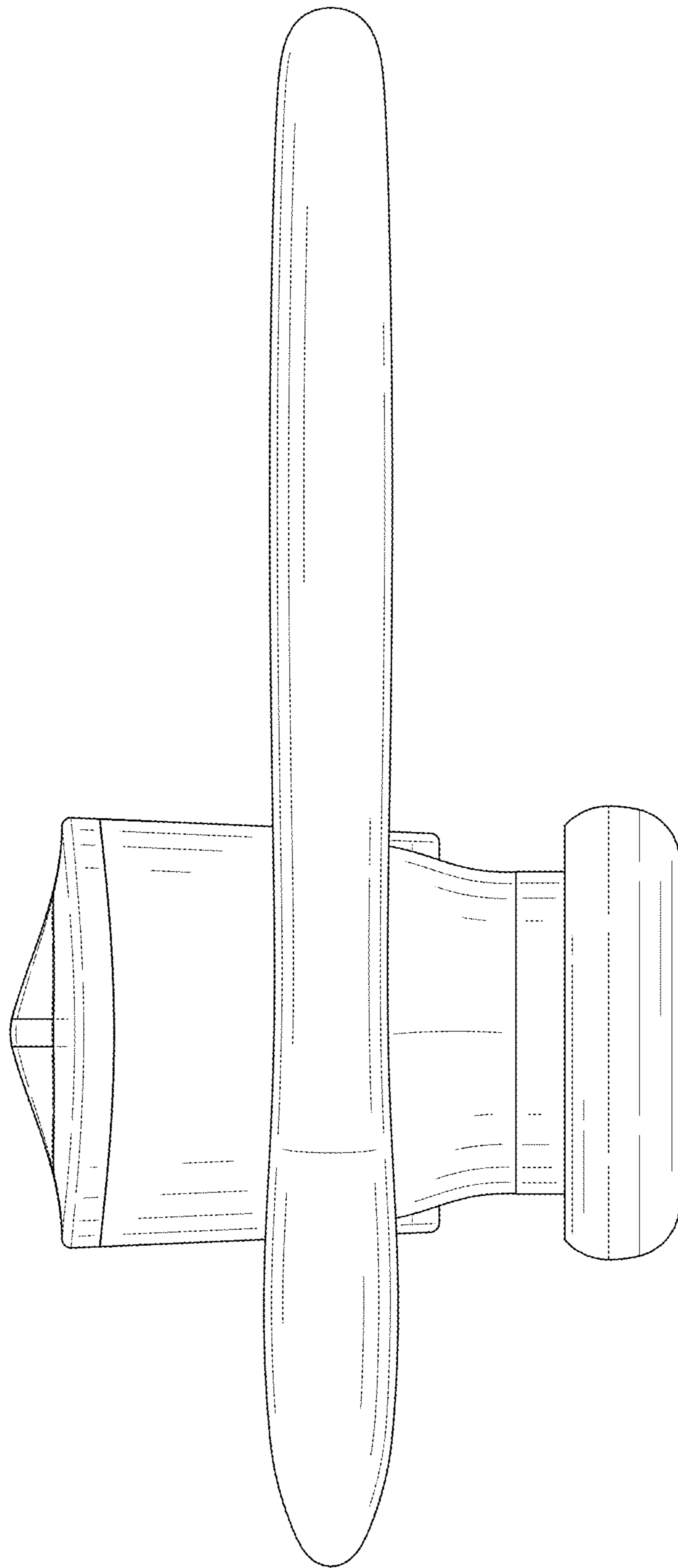


FIG. 14

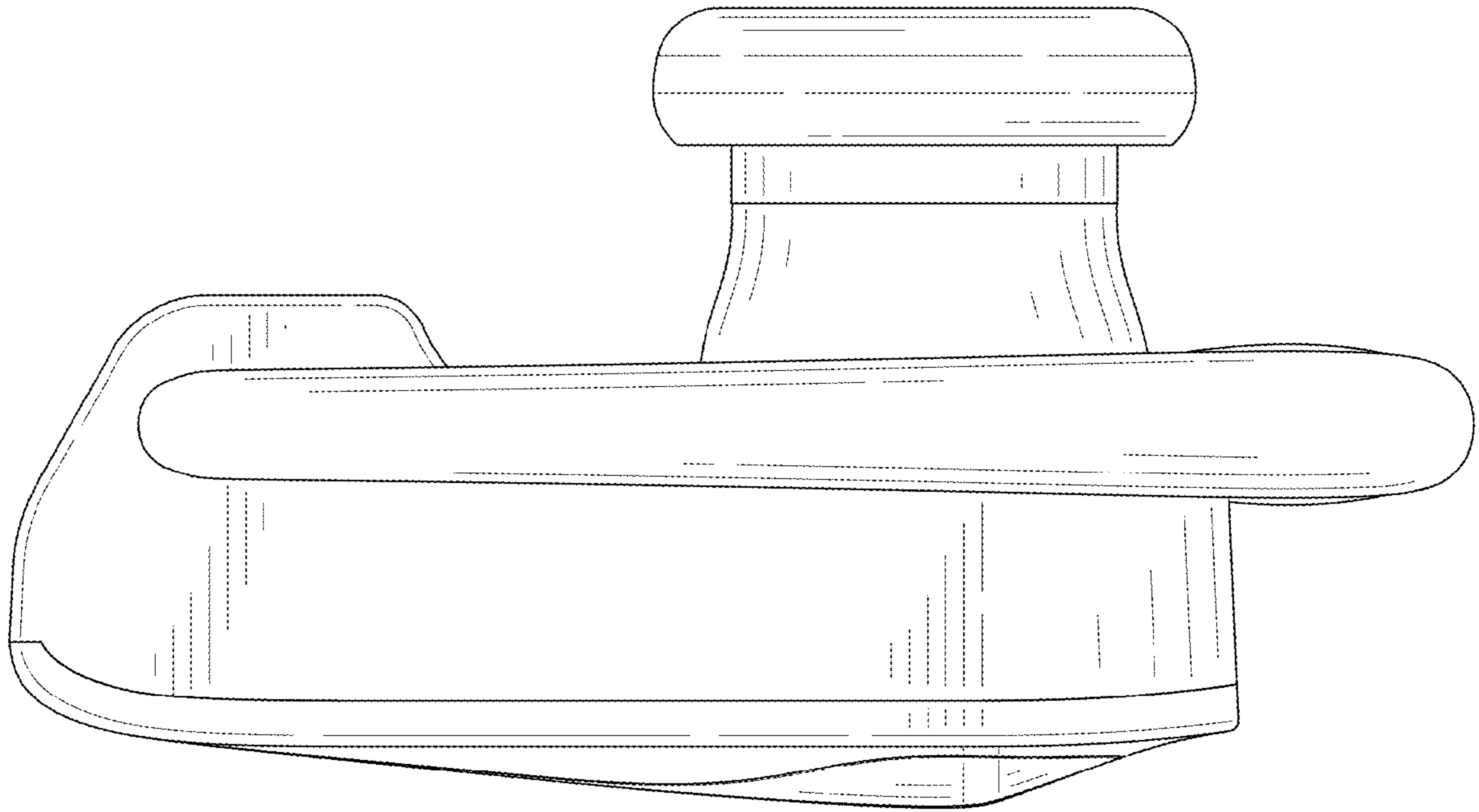


FIG. 15

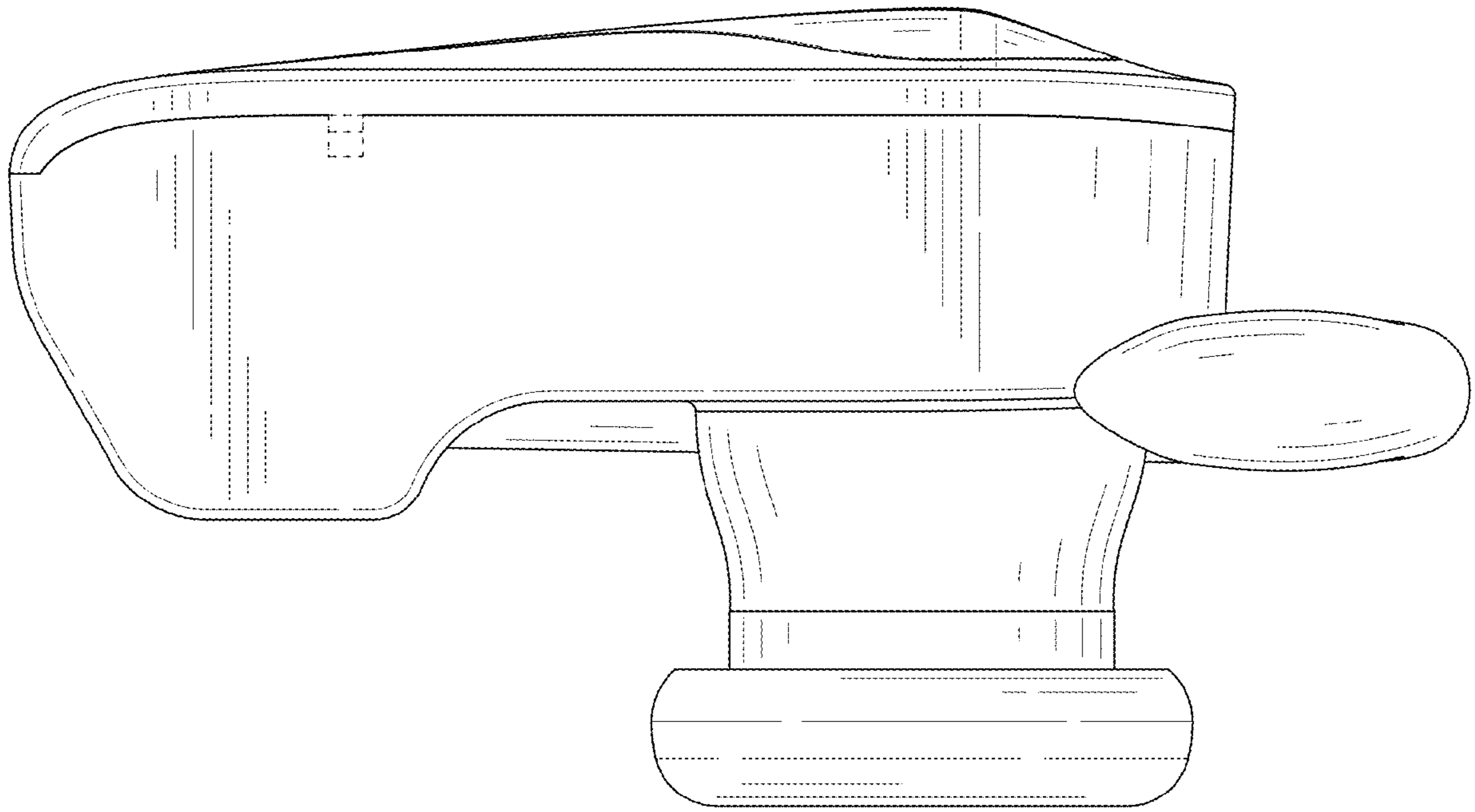


FIG. 16