



US00D988292S

(12) **United States Design Patent** (10) **Patent No.:** **US D988,292 S**  
**Zhu** (45) **Date of Patent:** **\*\* Jun. 6, 2023**

(54) **REMOTE CONTROL**  
(71) Applicant: **Nana Zhu**, Guangdong (CN)  
(72) Inventor: **Nana Zhu**, Guangdong (CN)  
(\*\*) Term: **15 Years**

D744,984 S \* 12/2015 Boren ..... D14/218  
D752,554 S \* 3/2016 Valeur ..... D14/218  
D793,364 S 8/2017 Deyaf et al.  
D832,808 S 11/2018 Tani  
D852,159 S 6/2019 Tani  
D868,748 S 12/2019 Deyaf  
D898,706 S \* 10/2020 Jiang ..... D14/218

(Continued)

(21) Appl. No.: **29/854,851**  
(22) Filed: **Sep. 28, 2022**  
(51) **LOC (14) Cl.** ..... **14-03**  
(52) **U.S. Cl.**  
USPC ..... **D14/218**  
(58) **Field of Classification Search**  
USPC ..... D14/218, 217; D13/168  
CPC ..... G08C 17/02; G08C 19/00; G08C 19/12;  
G08C 19/28; G08C 23/04; H04B 1/202;  
H05B 45/00; H05B 47/10; H03J 9/00;  
H03J 9/02; H03J 1/0025; H01H 9/0025;  
H01H 9/0228; H01H 9/0235  
See application file for complete search history.

**FOREIGN PATENT DOCUMENTS**

KR 301171603.0000 \* 7/2022

**OTHER PUBLICATIONS**

Amazon, "Hotsmtbang Replacement Remote Control . . ." available at amazon.com, date first available Jun. 27, 2022, site visited Nov. 28, 2022, available at URL: <https://a.co/d/8irhuhg> (Year: 2022).\*

(Continued)

*Primary Examiner* — Daniel J Domino  
*Assistant Examiner* — Samina Vieth

(56) **References Cited**

**U.S. PATENT DOCUMENTS**

D266,416 S \* 10/1982 Hiraki ..... D14/218  
D285,668 S \* 9/1986 Tanaka ..... D14/218  
D293,669 S \* 1/1988 Ogilvie ..... D14/218  
D354,751 S \* 1/1995 Hersh ..... D14/218  
D362,695 S \* 9/1995 Waldhelm ..... D14/218  
D451,498 S \* 12/2001 Rossel ..... D14/218  
D520,495 S \* 5/2006 Dukerschein ..... D14/218  
D568,299 S \* 5/2008 Tuli ..... D14/218  
D592,646 S \* 5/2009 Sun ..... D14/218  
D606,036 S 12/2009 Shimada  
D616,871 S 6/2010 Enervold et al.  
D616,872 S 6/2010 Stoddard et al.  
D634,734 S \* 3/2011 Cho ..... D14/218  
D654,055 S \* 2/2012 Won ..... D14/218  
D664,521 S 7/2012 VanDuyen et al.  
D664,945 S \* 8/2012 Morris ..... D14/218  
D665,382 S \* 8/2012 Kim ..... D14/218

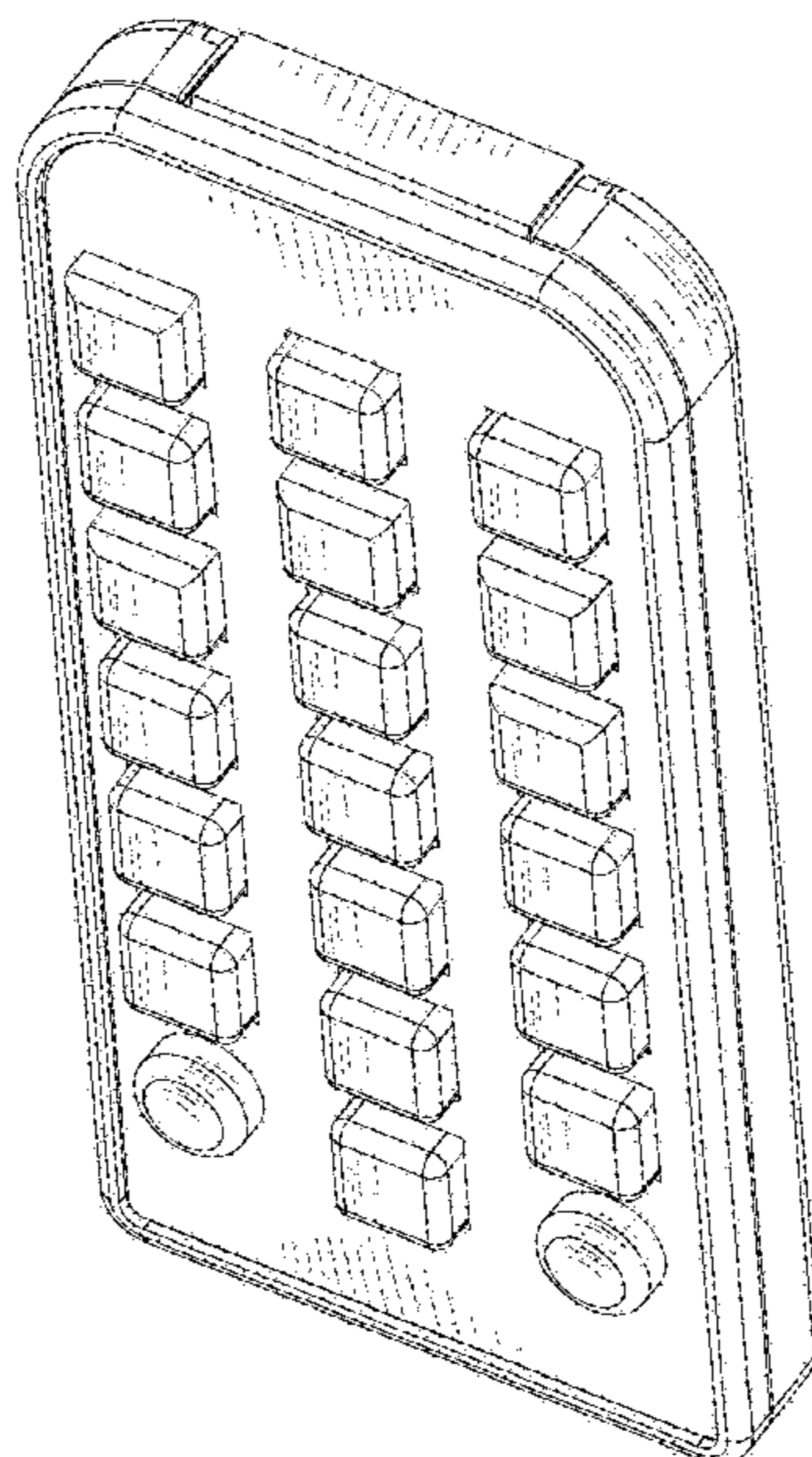
(57) **CLAIM**

The ornamental design for a remote control, as shown and described.

**DESCRIPTION**

FIG. 1 is a front, top perspective view of a remote control design showing my new design.  
FIG. 2 is a front view of a remote control.  
FIG. 3 is a rear view of a remote control.  
FIG. 4 is a left side view of a remote control.  
FIG. 5 is a right side view of a remote control.  
FIG. 6 is a top view of a remote control.  
FIG. 7 is a bottom view of a remote control; and,  
FIG. 8 is a rear, bottom perspective view of a remote control.  
The broken lines in the drawings depict portions of the remote control that form no part of the claimed design.

**1 Claim, 8 Drawing Sheets**



(56)

**References Cited**

## U.S. PATENT DOCUMENTS

D912,634 S \* 3/2021 Zhang ..... D13/168  
D931,836 S \* 9/2021 Pinto Couto ..... D14/218  
D934,838 S \* 11/2021 Warrick ..... D14/218  
11,271,413 B2 \* 3/2022 Nguyen ..... A61L 2/26  
11,375,263 B2 \* 6/2022 Shohara ..... H04N 21/42204  
D962,897 S \* 9/2022 Wei ..... D14/218  
2009/0051823 A1 \* 2/2009 Tsurumoto ..... G08C 17/00  
348/734  
2018/0115735 A1 \* 4/2018 Hyun ..... G08C 23/04  
2018/0350535 A1 \* 12/2018 Maier ..... H01H 13/70

## OTHER PUBLICATIONS

Shanrya, "Digital Photo Frame . . .", available at Amazon.com, date first available Apr. 23, 2022, site visited Nov. 28, 2022, available at URL: <https://amzn.asia/d/7mvTaZG> (Year: 2022).\*

Bestshopunion, "24in Display Screen 1080P . . ." available at amazon.com, date published Oct. 28, 2022, site visited Nov. 28, 2022, available at URL: <https://www.ebay.com/itm/165747800433> (Year: 2022).\*

Fayze Reviews, "\$50 Digital Photo Frame Review . . .", available at youtube.com, date published 2020, site visited Nov. 28, 2022, available at URL: <https://www.youtube.com/watch?v=kLzgJnXGKhE> (Year: 2020).\*

\* cited by examiner

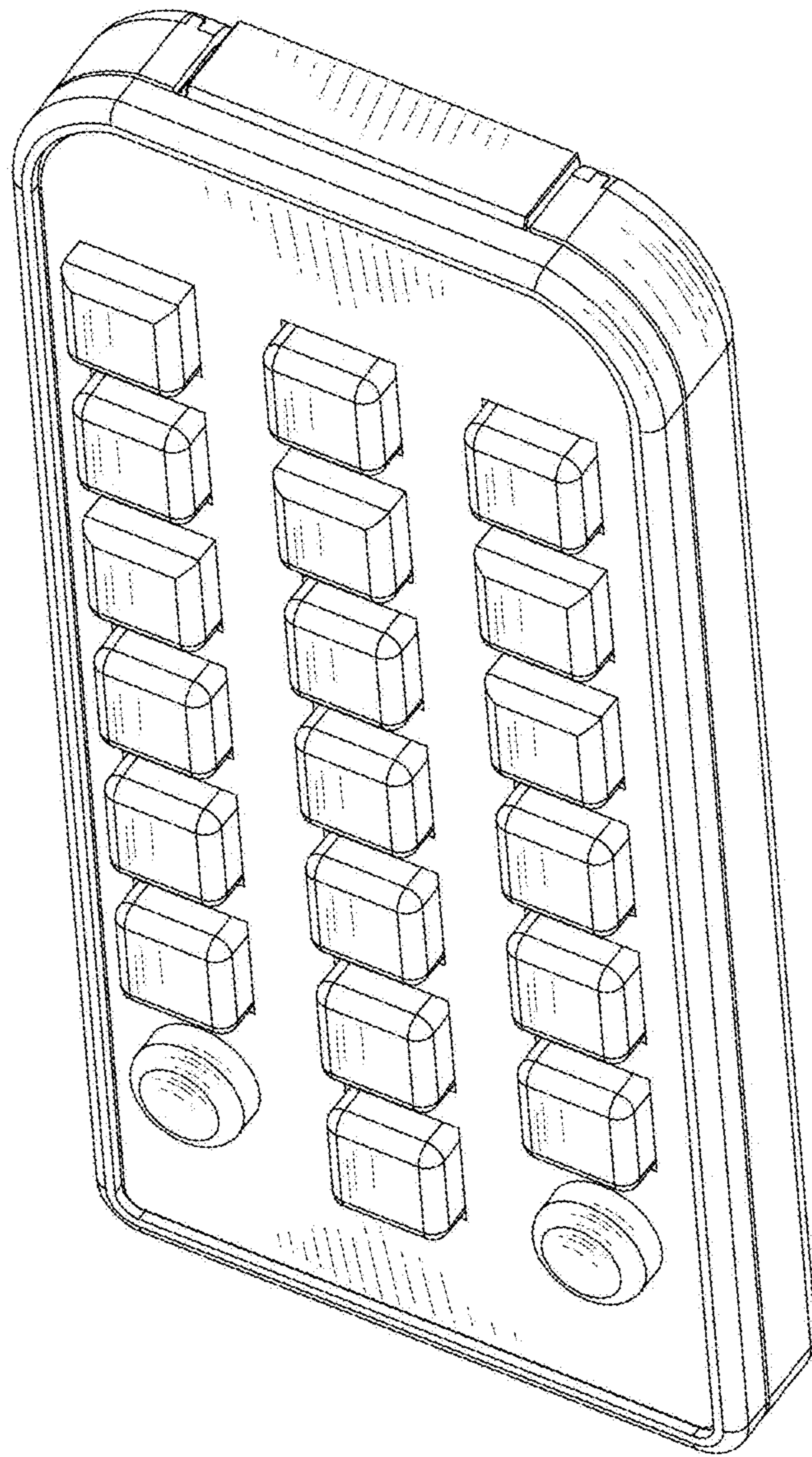


FIG. 1

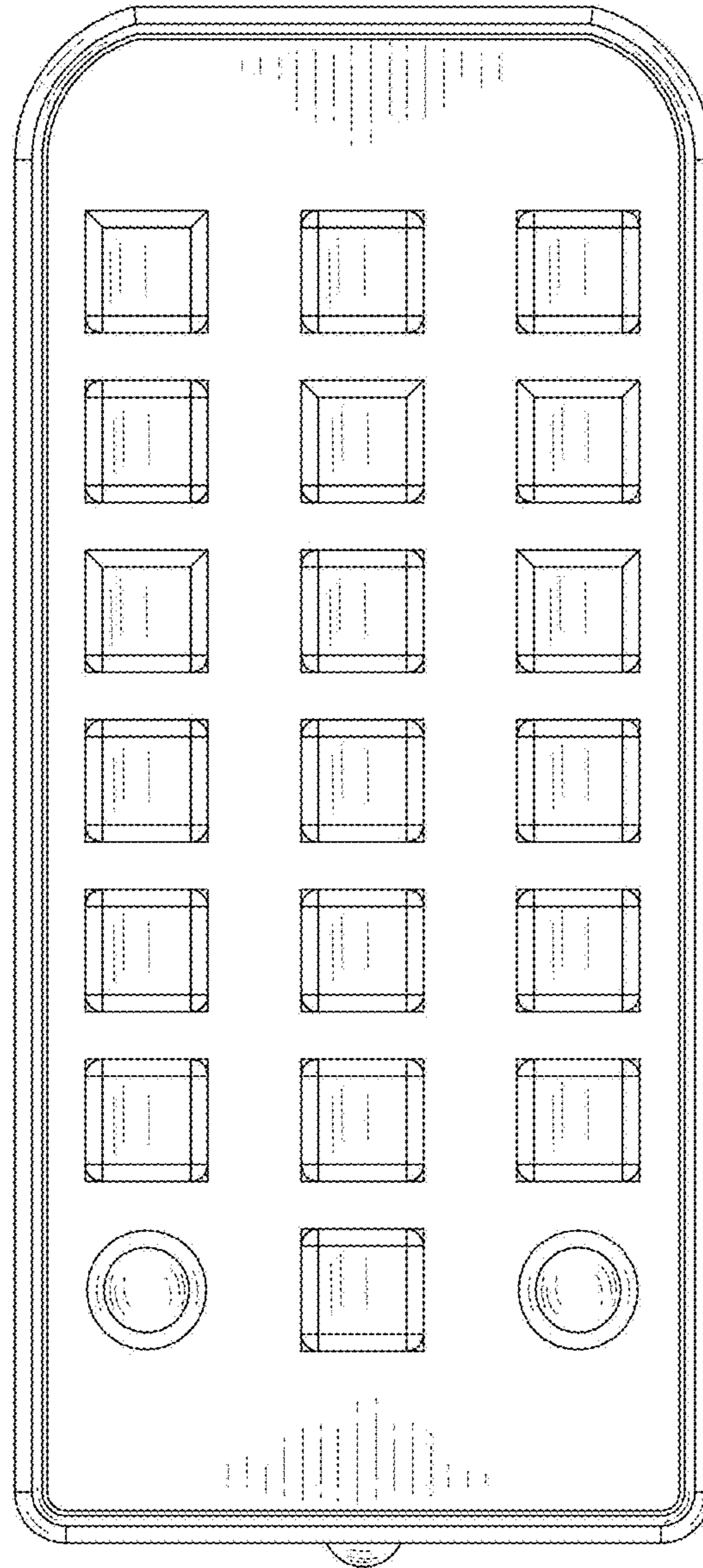


FIG. 2

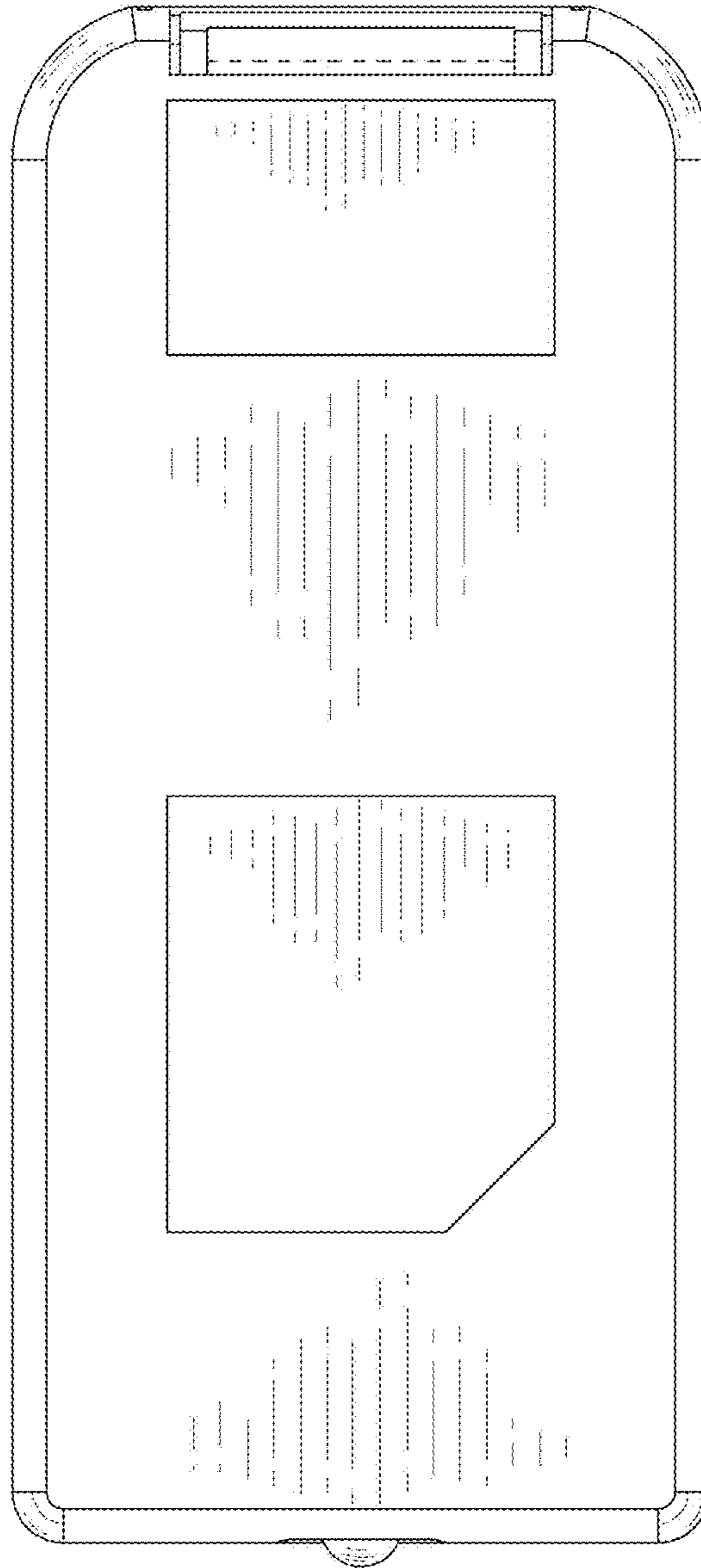


FIG. 3

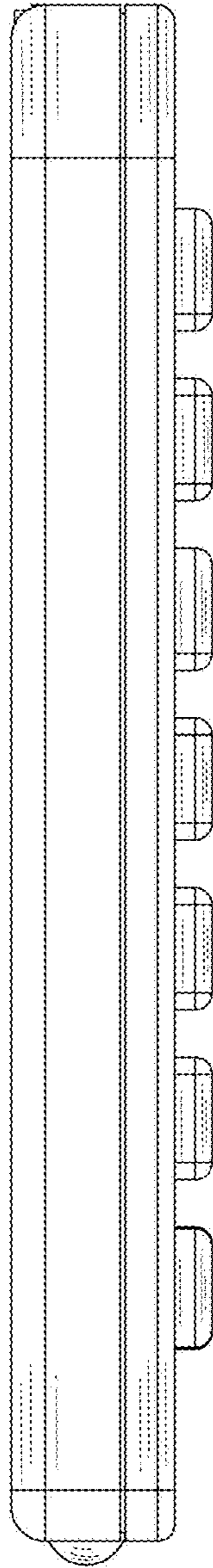


FIG. 4

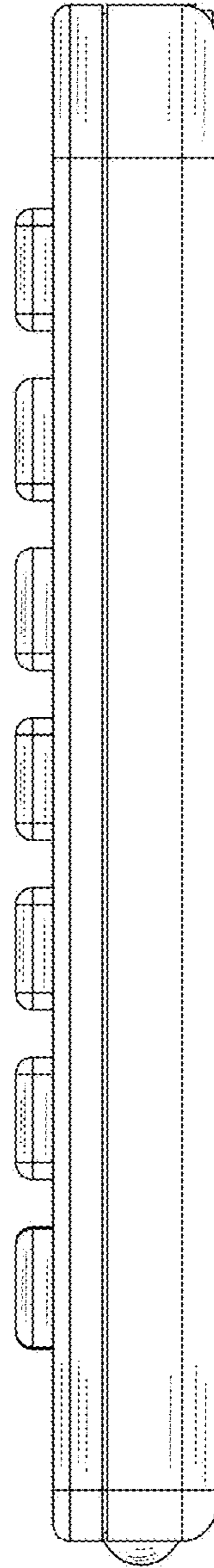


FIG. 5

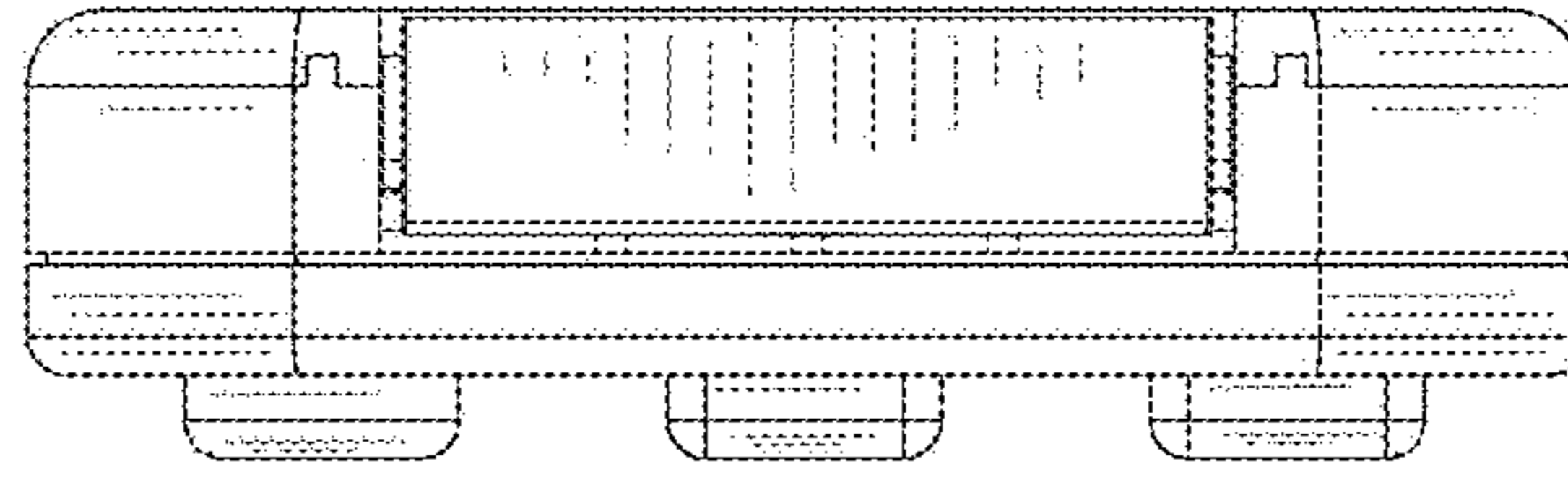


FIG. 6



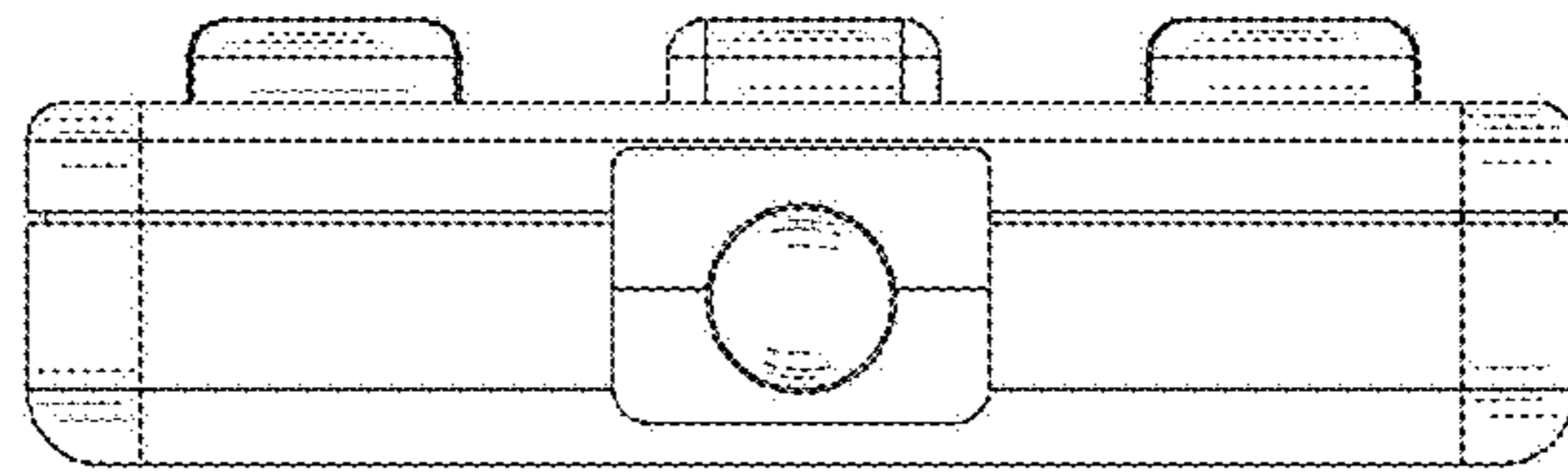


FIG. 7

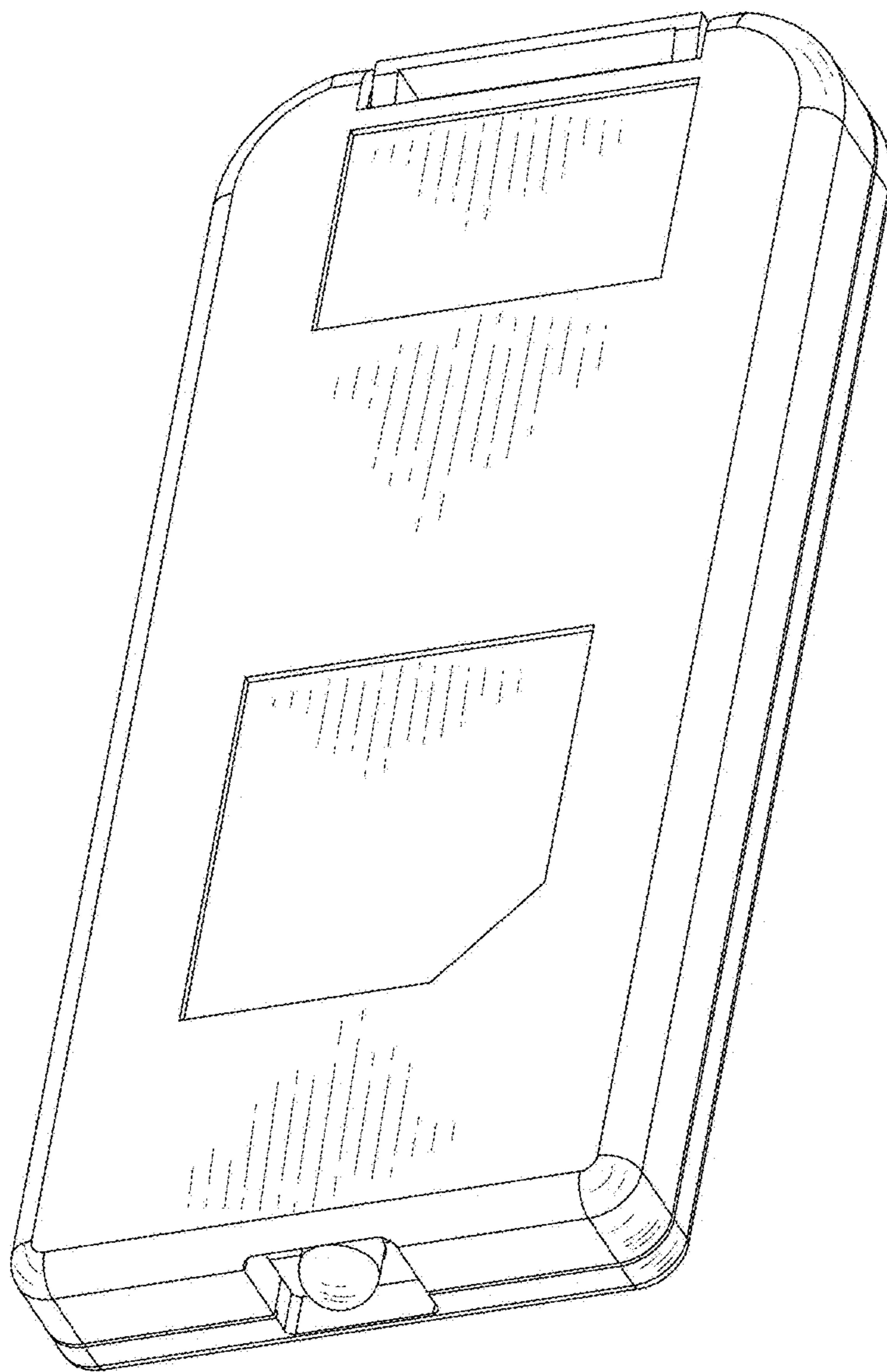


FIG. 8