



US00D988290S

(12) **United States Design Patent**
Colbert

(10) **Patent No.:** **US D988,290 S**

(45) **Date of Patent:** **** Jun. 6, 2023**

(54) **HEADPHONES**

(71) Applicant: **Charles Colbert**, Stonecrest, GA (US)

(72) Inventor: **Charles Colbert**, Stonecrest, GA (US)

(**) Term: **15 Years**

(21) Appl. No.: **29/861,073**

(22) Filed: **Nov. 25, 2022**

(51) **LOC (14) Cl.** **14-01**

(52) **U.S. Cl.**
USPC **D14/205; D14/207**

(58) **Field of Classification Search**
USPC D14/205, 207; D2/865, 895; D29/112;
2/209; D12/91; D21/596, 597, 598, 616,
D21/618, 631, 621, 585
CPC H04R 25/00; H04R 25/02; H04R 1/1066;
H04R 5/033; H04R 5/0335; H04R 1/10
See application file for complete search history.

(56) **References Cited**

U.S. PATENT DOCUMENTS

D131,719 S *	3/1942	Kesh	D14/249
3,085,253 A *	4/1963	Ulrich	A61F 11/14
				D29/112
3,462,153 A *	8/1969	Barlow	A63F 3/00697
				273/287
3,769,663 A *	11/1973	Perl	F21L 4/00
				24/339
3,835,583 A *	9/1974	Manning	A63H 17/262
				446/465
3,902,120 A *	8/1975	Dascal	H04R 5/033
				455/343.1
D246,259 S *	11/1977	Nishimura	D14/205
D247,433 S *	3/1978	Fixler	381/378
D261,286 S *	10/1981	Breneman	D21/451
D281,090 S *	10/1985	Murakami	D21/582
4,546,215 A *	10/1985	Ferraro	H04R 1/1058
				2/209

D285,710 S *	9/1986	Wong	D21/616
D287,742 S *	1/1987	Bardwell	D21/637
D291,197 S *	8/1987	LaLanne	D14/205
4,689,822 A *	8/1987	Houng	H04R 1/1066
				381/379
4,993,985 A *	2/1991	Bass	A63H 33/26
				446/133
D315,749 S *	3/1991	Visco	D21/637
D324,523 S *	3/1992	Hughes	D14/207
D336,299 S *	6/1993	Darovic	D14/205
D354,958 S *	1/1995	Grasso	D14/223
D371,639 S *	7/1996	Schmitt	D29/112
D383,136 S *	9/1997	Leifer	D14/207
5,739,892 A *	4/1998	Kobayashi	G02C 1/02
				351/153
D400,341 S *	11/1998	House	D2/869
D402,437 S *	12/1998	Silk	D2/639
6,000,063 A *	12/1999	Sullivan	A42B 1/004
				2/244

(Continued)

Primary Examiner — Paula Allen Greene

(74) *Attorney, Agent, or Firm* — Bold IP, PLLC;
Christopher Mayle

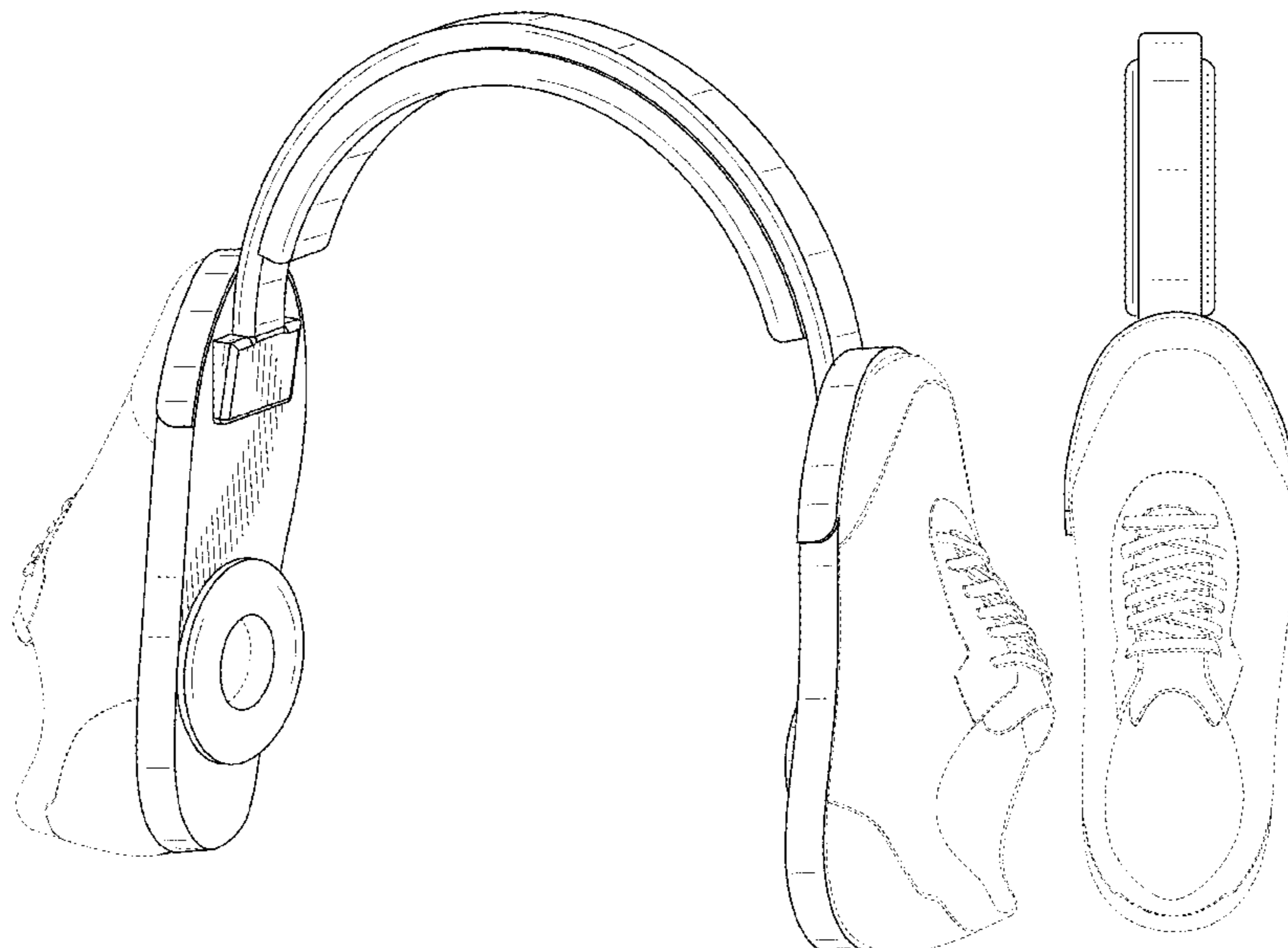
(57) **CLAIM**

The ornamental design for headphones, as shown and described.

DESCRIPTION

FIG. 1 is a front perspective view of headphones showing my new design;
FIG. 2 is a left side view thereof;
FIG. 3 is a right side view thereof;
FIG. 4 is a front view thereof;
FIG. 5 is a back view thereof;
FIG. 6 is a top view thereof;
FIG. 7 is a bottom view thereof; and,
FIG. 8 is another front perspective view thereof.
The broken lines depict portions of the headphone that form no part of the claimed design.

1 Claim, 6 Drawing Sheets



(56)

References Cited

U.S. PATENT DOCUMENTS

D418,275	S	*	1/2000	Contreras	D2/639
D428,078	S	*	7/2000	Renner	D21/637
D428,874	S	*	8/2000	White	D21/549
D530,308	S	*	10/2006	Topping	D14/207
D648,812	S	*	11/2011	Fisher	D21/621
D669,139	S	*	10/2012	Lombardi	D21/618
D684,900	S	*	6/2013	Doyle	D12/92
D712,272	S	*	9/2014	Veletakos	D9/601
D756,467	S	*	5/2016	Jaensch	D21/621
D780,378	S	*	2/2017	Chow	A61F 11/14 D29/112
D813,195	S		3/2018	Huang		
D814,355	S	*	4/2018	Bischoff	D12/91
D838,787	S	*	1/2019	Ahrendsen	D21/616
D841,621	S	*	2/2019	Elmieh	D14/207
D888,684	S	*	6/2020	Gu	D14/207
D901,437	S	*	11/2020	ShiXing	D14/207
D903,251	S	*	12/2020	Verfl	D2/944
D927,162	S	*	8/2021	Verfl	D2/978
D963,519	S	*	9/2022	Deng	D21/615
2016/0033792	A1	*	2/2016	Blum	H04N 5/2251 351/158

* cited by examiner



FIG. 1

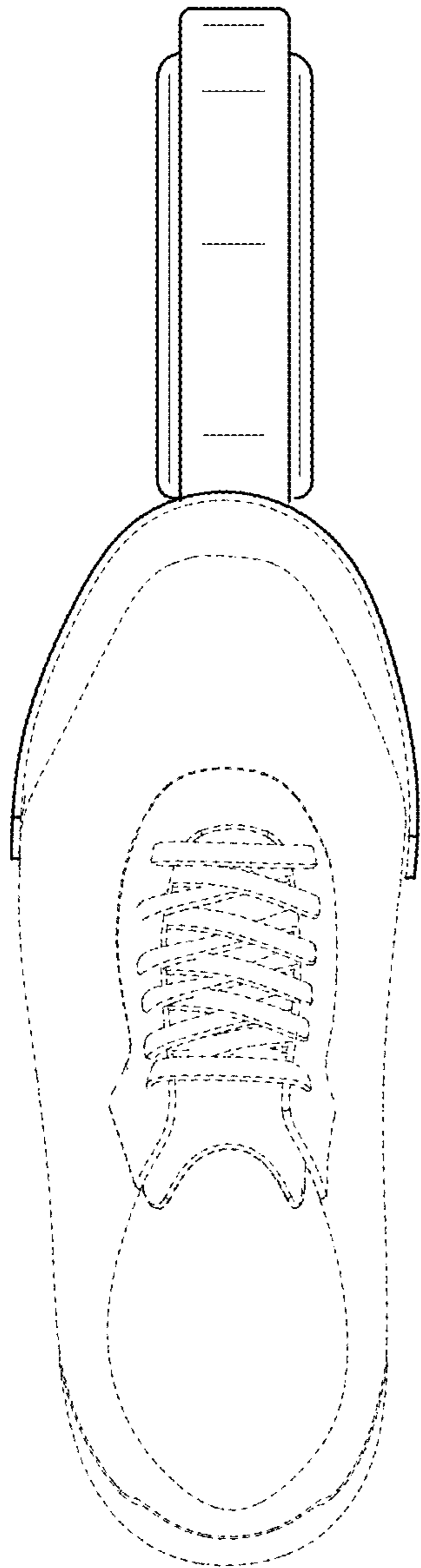


FIG. 2

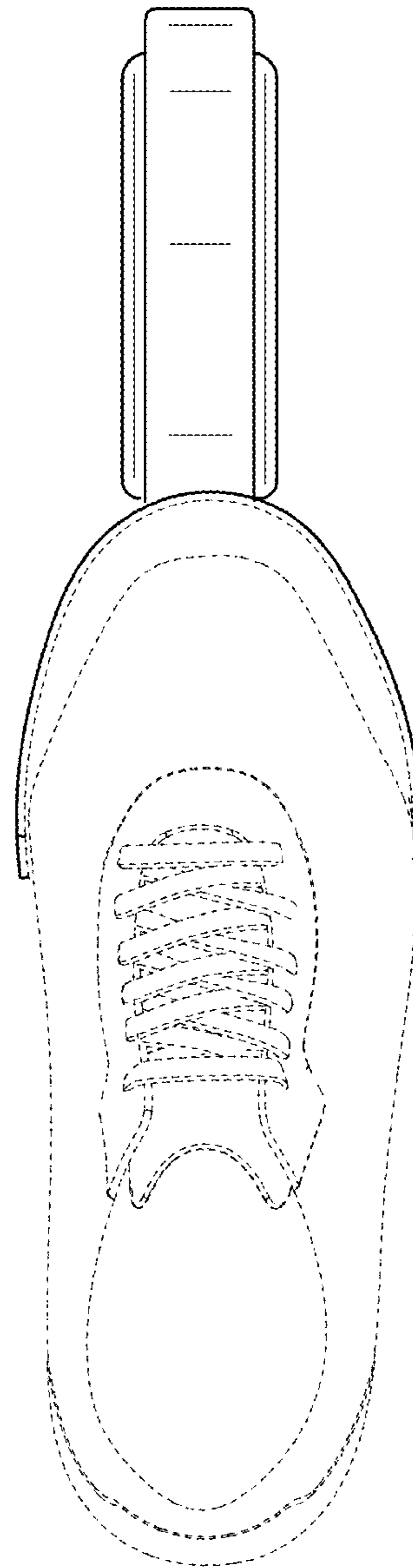


FIG. 3

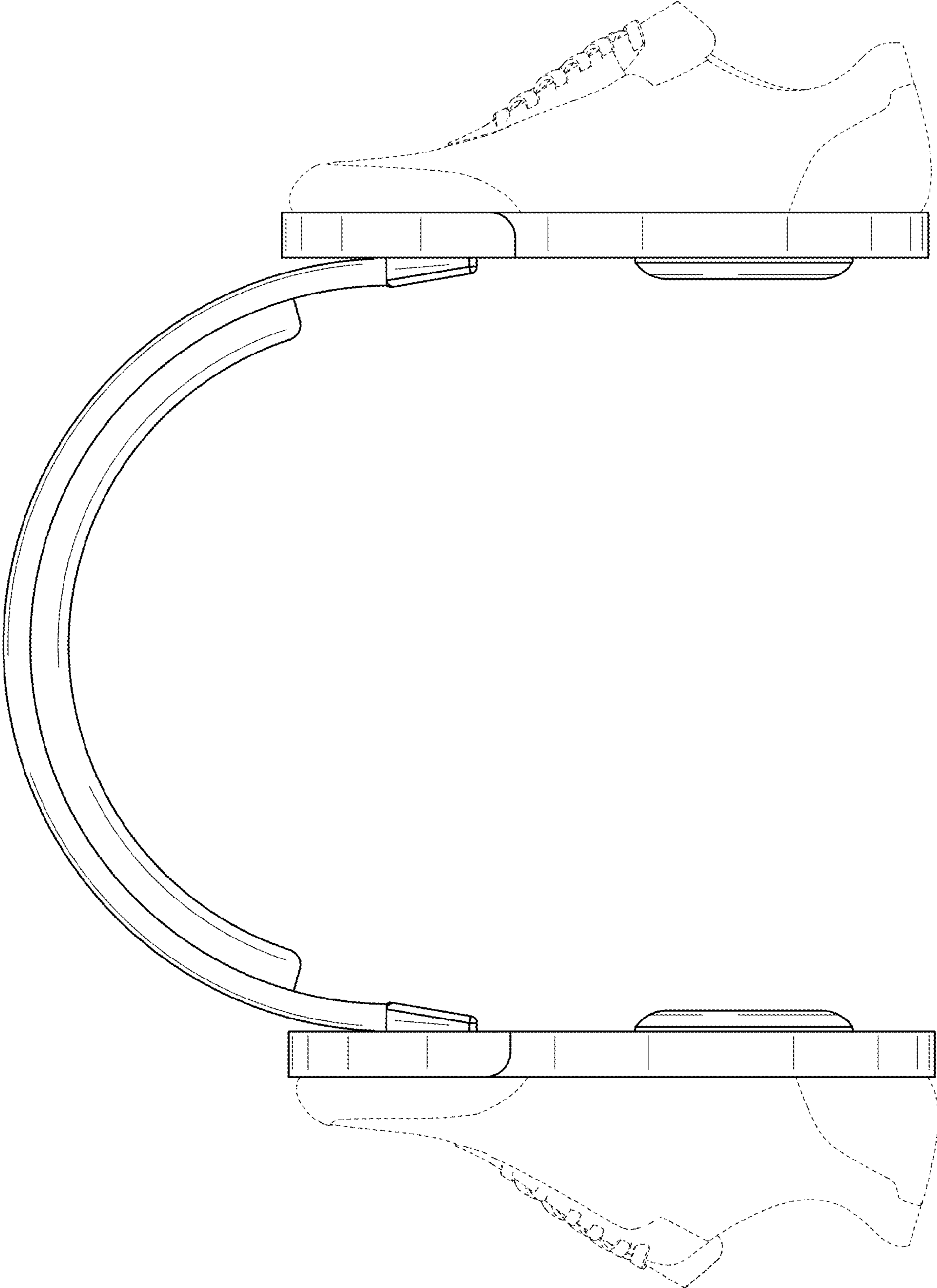


FIG. 4

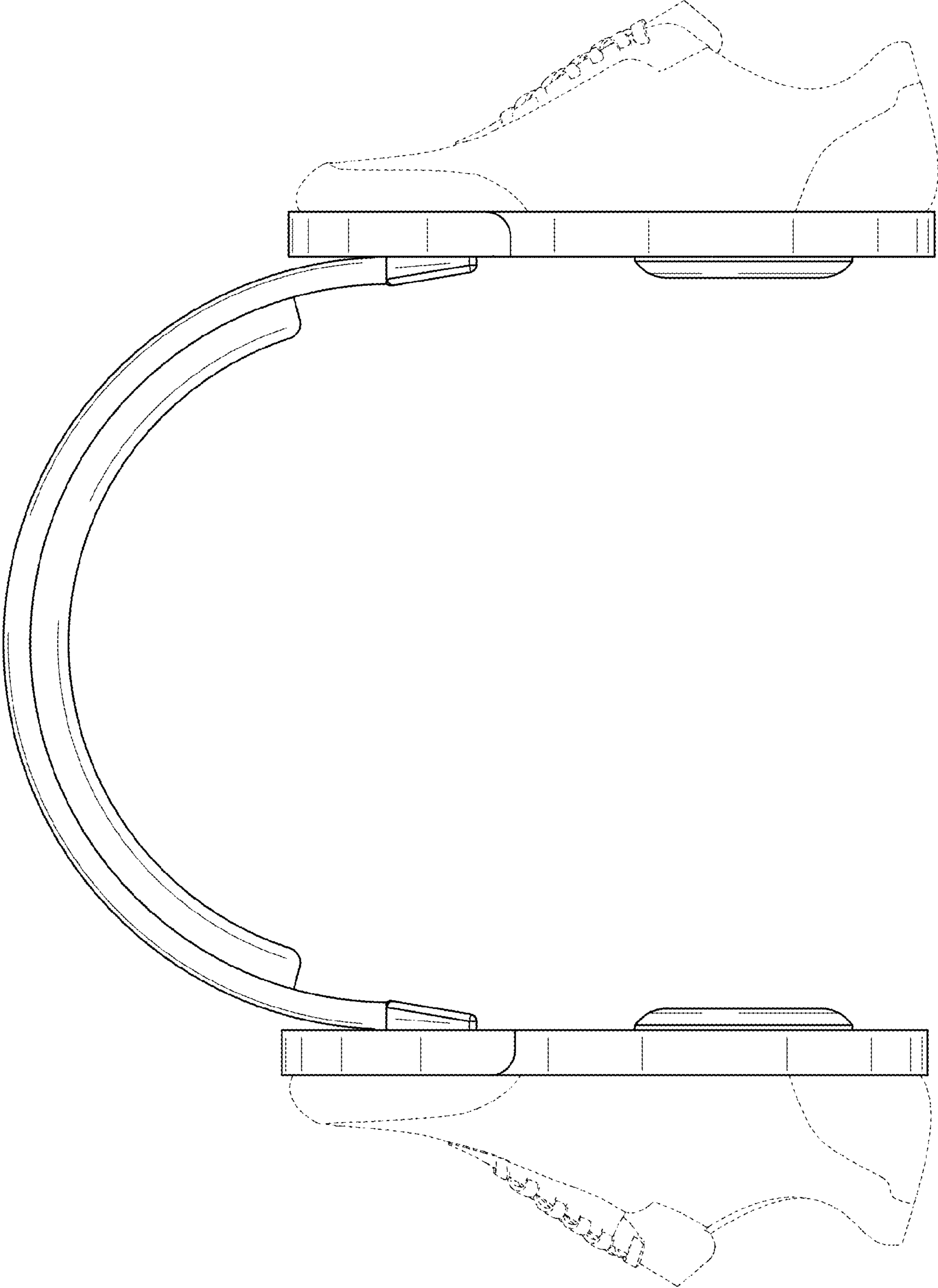


FIG. 5

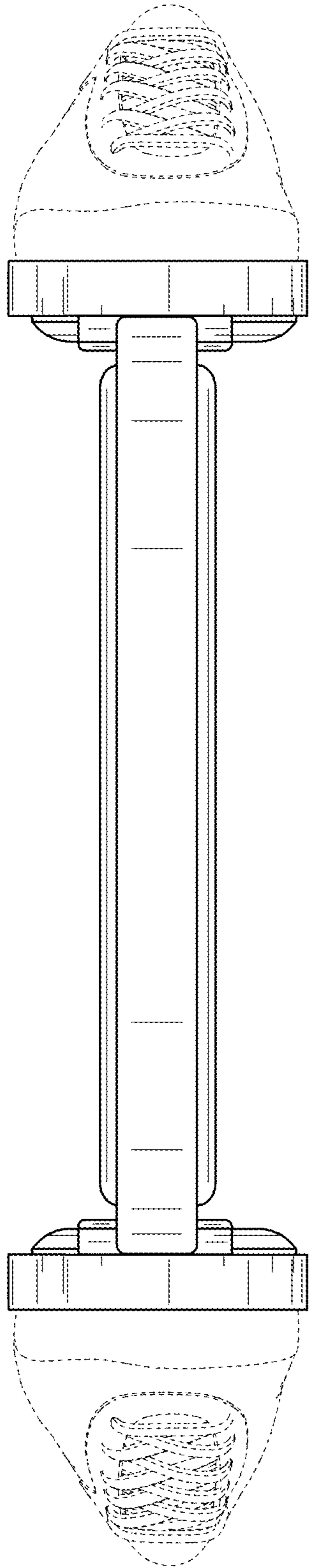


FIG. 6

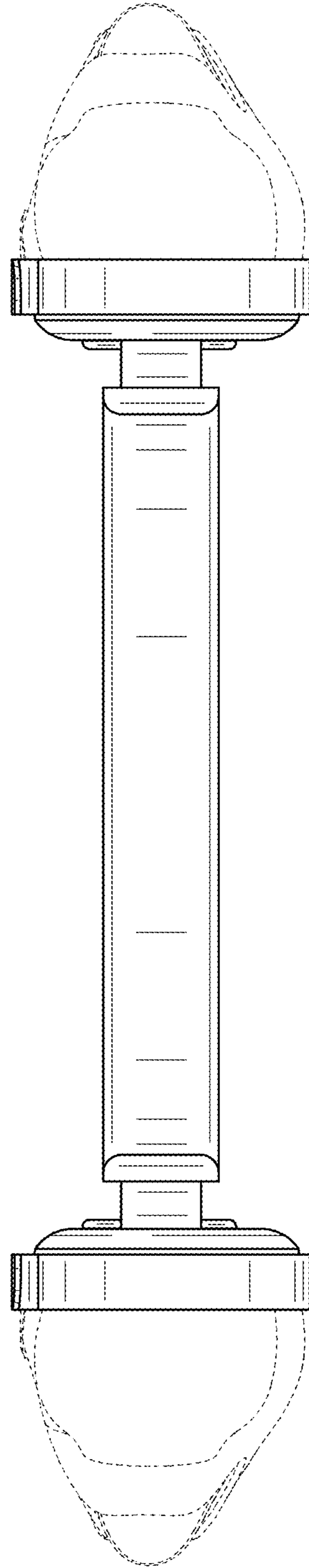


FIG. 7

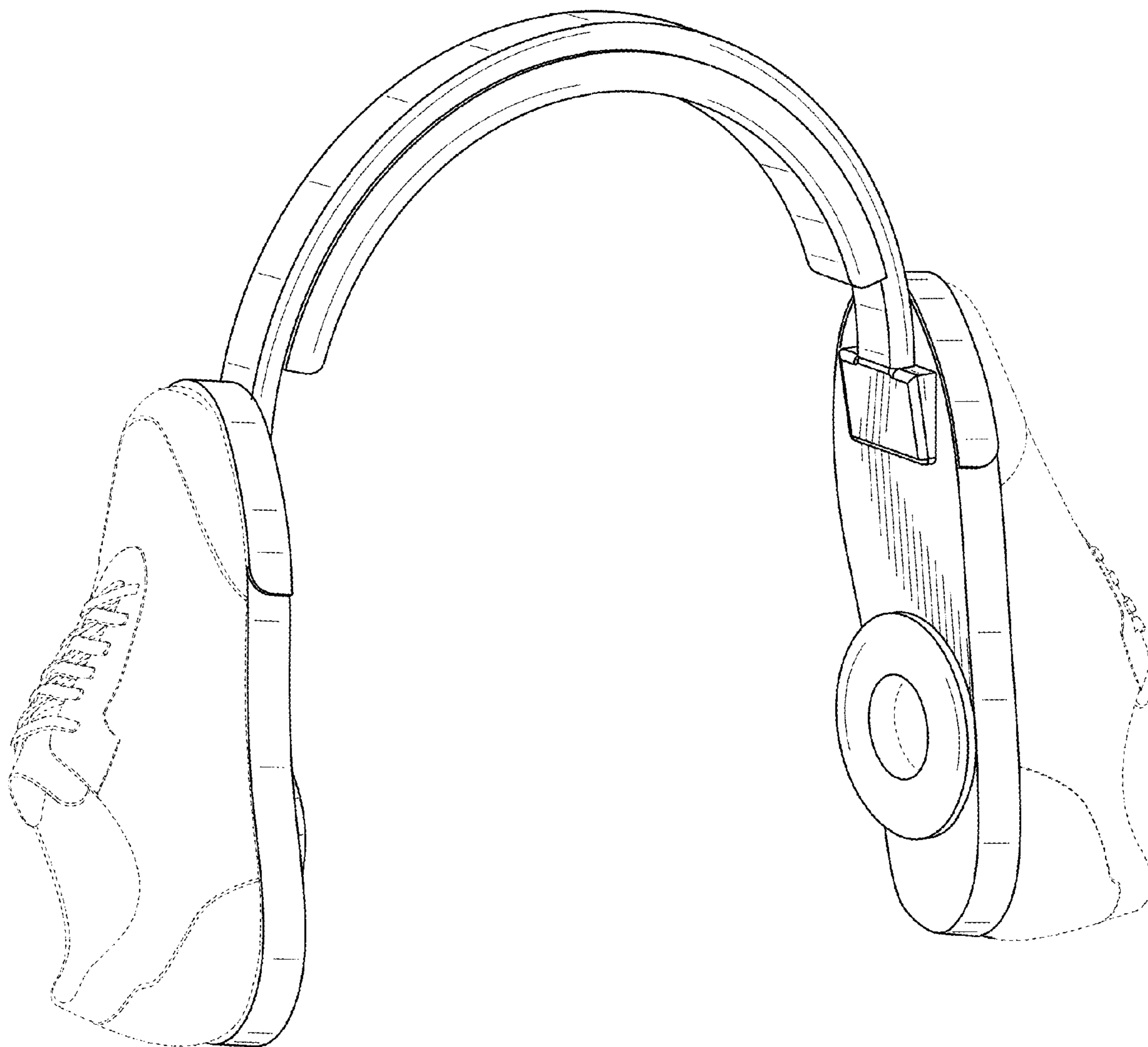


FIG. 8