



US00D988288S

(12) **United States Design Patent**
Ohuri et al.

(10) **Patent No.:** **US D988,288 S**
(45) **Date of Patent:** **** Jun. 6, 2023**

(54) **HEADSET WITH MICROPHONE BOOM**

(71) Applicant: **Audio-Technica Corporation**, Tokyo (JP)

(72) Inventors: **Taira Ohori**, Tokyo (JP); **Jaewoo Kim**, Gyeonggi-do (KR)

(73) Assignee: **AUDIO-TECHNICA CORPORATION**, Tokyo (JP)

(**) Term: **15 Years**

(21) Appl. No.: **29/788,960**

(22) Filed: **Aug. 19, 2021**

(30) **Foreign Application Priority Data**

Apr. 14, 2021 (JP) 2021-007833

(51) **LOC (14) Cl.** **14-01**

(52) **U.S. Cl.**
USPC **D14/206**; D14/226

(58) **Field of Classification Search**
USPC D14/206, 226, 205, 188, 192; D29/112;
2/209; 381/380-381, 374, 370
CPC H04R 25/00; H04R 25/02; H04R 1/1066;
H04R 1/1016; H04R 5/033; H04R
5/0335; H04R 11/04; H04R 19/04; H04R
1/08; H04R 1/1091
See application file for complete search history.

(56) **References Cited**

U.S. PATENT DOCUMENTS

- 3,095,484 A * 6/1963 Beaverson H04R 1/342
381/357
- 4,724,922 A * 2/1988 Kalayjian G10K 11/22
181/135
- D340,033 S * 10/1993 Okumura D14/223
- D345,162 S * 3/1994 Yamatogi D14/205

- 5,787,166 A * 7/1998 Ullman H04R 1/105
D14/206
- 5,793,878 A * 8/1998 Chang H04R 5/0335
D14/206
- D404,734 S * 1/1999 Andrea D14/206
- D410,921 S * 6/1999 Luchs D14/206
- 6,154,539 A * 11/2000 Pitel H04M 1/05
379/430
- D448,749 S * 10/2001 Weikel D14/206
- D451,903 S * 12/2001 Amae D14/206
- 6,356,635 B1 * 3/2002 Lyman H04R 1/083
379/430
- D458,247 S * 6/2002 Davies D14/206
- 6,625,293 B1 * 9/2003 Nageno H04R 1/08
181/20
- D482,019 S * 11/2003 Petersen D14/206

(Continued)

FOREIGN PATENT DOCUMENTS

- CN 306210268 * 12/2020
- CN 307034701 * 12/2021

(Continued)

Primary Examiner — Paula Allen Greene

(74) *Attorney, Agent, or Firm* — WCF IP

(57) **CLAIM**

The ornamental design for a headset with microphone boom, as shown and described.

DESCRIPTION

FIG. 1 is a perspective view of a headset with microphone boom showing the new design; FIG. 2 is a front view thereof; FIG. 3 is a rear view thereof; FIG. 4 is a top plan view thereof; FIG. 5 is a bottom plan view thereof; FIG. 6 is a left side view thereof; FIG. 7 is a right side view thereof; and, FIG. 8 is a perspective view of a headset with microphone boom in an alternate position thereof.

1 Claim, 6 Drawing Sheets



(56)

References Cited

U.S. PATENT DOCUMENTS

D488,146 S * 4/2004 Minto D14/206
 6,754,361 B1 * 6/2004 Hall H04R 1/105
 381/384
 D494,957 S * 8/2004 Rath D14/206
 D498,470 S * 11/2004 Skulley D14/206
 D505,413 S * 5/2005 Skulley D14/223
 6,952,481 B2 * 10/2005 Larsen H04M 1/05
 381/74
 D514,086 S * 1/2006 Skulley D14/206
 D517,528 S * 3/2006 Skulley D14/206
 D518,479 S * 4/2006 Skulley D14/225
 D531,165 S * 10/2006 Rath D14/206
 D535,285 S * 1/2007 Skulley D14/205
 D538,785 S * 3/2007 Skulley D14/206
 D540,778 S * 4/2007 Thompson D14/206
 D587,684 S * 3/2009 Ham D14/205
 D601,543 S * 10/2009 Bentley D14/206
 D602,001 S * 10/2009 Bentley D14/206
 D602,906 S * 10/2009 Groves D14/205
 D603,370 S * 11/2009 Suzuki D14/205
 D604,266 S * 11/2009 Milde D14/205
 D606,049 S * 12/2009 Matsuda D14/223
 D612,835 S * 3/2010 Yang D14/206
 D612,840 S * 3/2010 Yang D14/206
 D617,769 S * 6/2010 Birger D14/205
 D625,705 S * 10/2010 Ohori D14/223
 D628,189 S * 11/2010 Rath D14/206
 D632,668 S * 2/2011 Brunner D14/205
 D635,962 S * 4/2011 Kelley D14/206
 D638,000 S * 5/2011 Hoggarth D14/206
 D639,776 S * 6/2011 Arimoto D14/205
 D641,337 S * 7/2011 Brandis D14/206
 D643,405 S * 8/2011 Rath D14/206
 D644,625 S * 9/2011 Iseki D14/206
 D653,649 S * 2/2012 Yang D14/206
 D654,471 S * 2/2012 Fischer D14/206
 D657,776 S * 4/2012 Lee D14/205
 D660,824 S * 5/2012 Hardi D14/205
 D666,168 S * 8/2012 Rath D14/206
 D668,240 S * 10/2012 Brandis D14/206
 D671,914 S * 12/2012 Lee D14/205
 D673,136 S * 12/2012 Kelly D14/205
 D673,524 S * 1/2013 Brennwald D14/206
 D675,595 S * 2/2013 Cho D14/205
 D684,145 S * 6/2013 Rath D14/206
 D684,559 S * 6/2013 Groset D14/205
 D689,843 S * 9/2013 Lee D14/205
 D691,110 S * 10/2013 Ham D14/205
 D691,984 S * 10/2013 Wang D14/205
 D692,410 S * 10/2013 Brunner H04R 1/1008
 D14/206

D707,655 S * 6/2014 Porter H04M 1/05
 D14/206
 D709,860 S * 7/2014 Brunner H04S 1/005
 D14/205
 D716,258 S * 10/2014 Awiszus D14/206
 D716,259 S * 10/2014 Awiszus D14/206
 D725,630 S * 3/2015 Nakagawa D14/205
 D732,002 S * 6/2015 Goransson D14/206
 D760,690 S * 7/2016 Gecawicz D14/206
 D763,228 S * 8/2016 Carr D14/206
 9,426,554 B2 * 8/2016 Dai H04R 1/083
 D769,219 S * 10/2016 Ohmachi D14/205
 D775,104 S * 12/2016 Lee D14/205
 D806,676 S * 1/2018 Fuglsang D14/206
 D822,638 S * 7/2018 Liu D14/206
 D851,628 S * 6/2019 Wernblad D14/206
 D851,629 S * 6/2019 Summerson D14/206
 D852,776 S * 7/2019 Zhu D14/205
 D875,073 S * 2/2020 Pedersen D14/206
 D878,331 S * 3/2020 Tsubone D14/206
 D878,332 S * 3/2020 Tsubone D14/206
 D881,843 S * 4/2020 Hu D14/206
 D885,364 S * 5/2020 Paterson D14/206
 D886,078 S * 6/2020 He D14/206
 D891,399 S * 7/2020 Chen D14/206
 D893,454 S * 8/2020 Li D14/206
 D895,570 S * 9/2020 Choi D14/205
 D896,203 S * 9/2020 Tong D14/206
 D898,701 S * 10/2020 Zhong D14/206
 D913,988 S * 3/2021 Bellham D14/205
 D914,637 S * 3/2021 Shen D14/206
 D927,457 S * 8/2021 Su D14/206
 D927,458 S * 8/2021 Su D14/206
 D927,459 S * 8/2021 Su D14/206
 D944,765 S * 3/2022 Bellham D14/206
 D952,600 S * 5/2022 Bellham D14/206
 2001/0017925 A1 * 8/2001 Ceravolo H04M 1/05
 381/370
 2012/0288131 A1 * 11/2012 Vaerum H04R 1/1066
 381/378
 2016/0198254 A1 * 7/2016 Gecawicz H04R 1/1008
 381/375
 2019/0006741 A1 * 1/2019 Riisberg H04R 1/1091
 2019/0373351 A1 * 12/2019 Han H04R 1/1066
 2020/0288234 A1 * 9/2020 Fletcher H04R 1/1066
 2022/0210533 A1 * 6/2022 Lin H04R 1/105

FOREIGN PATENT DOCUMENTS

GB 6214074 * 6/2022
 GB 6214075 * 6/2022
 JP D1693865 * 8/2021
 JP D1693866 * 8/2021
 TW 156134-0001 * 9/2012

* cited by examiner

FIG. 1

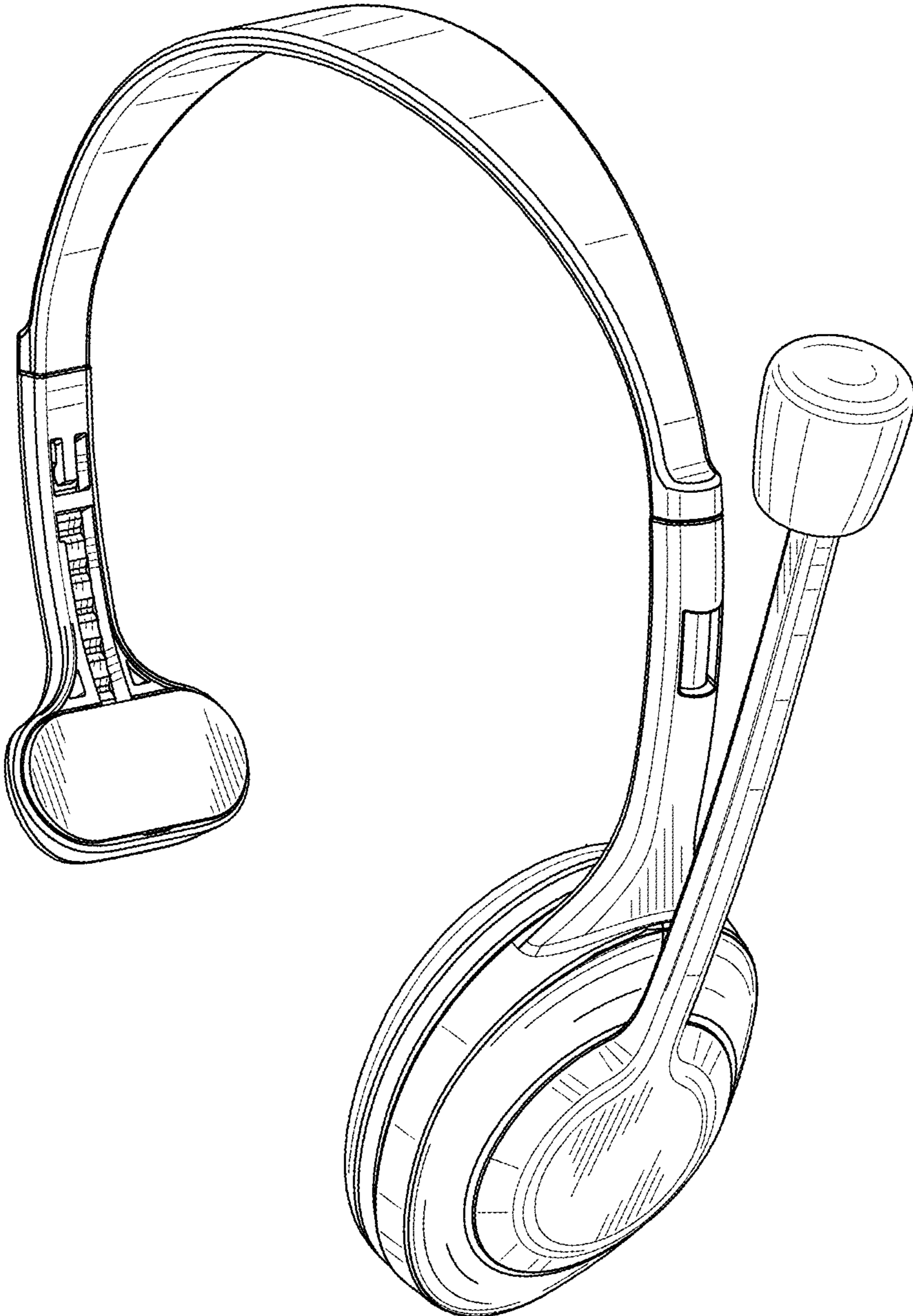


FIG. 2



FIG. 3



FIG. 4

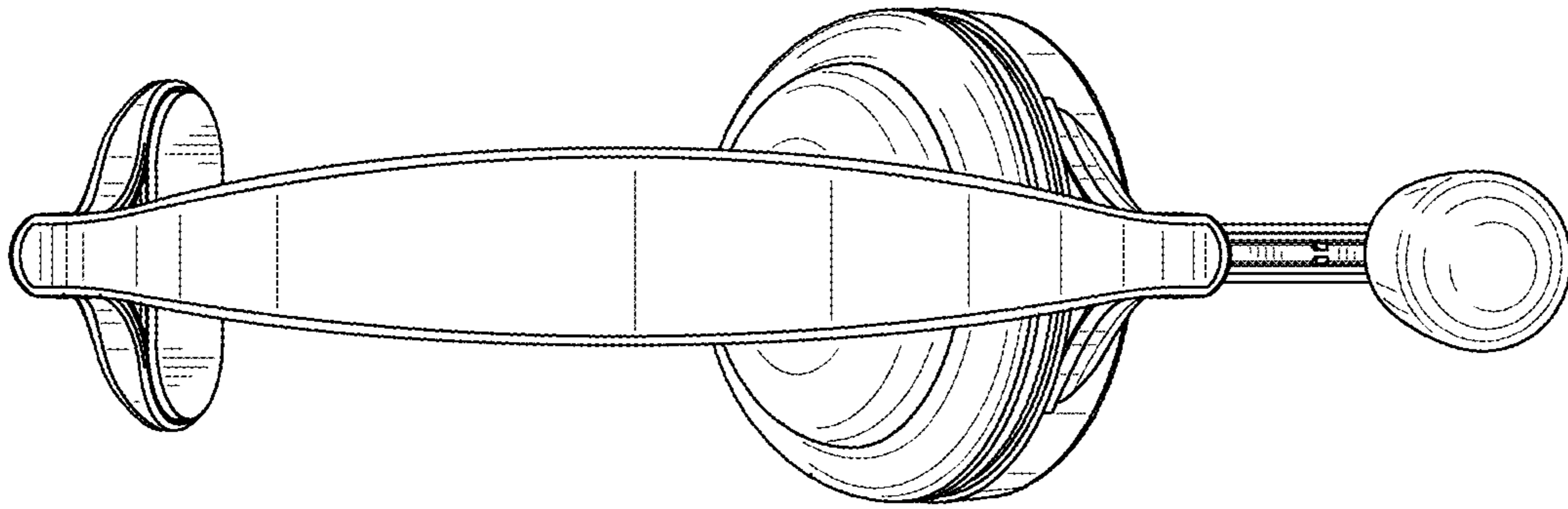


FIG. 5

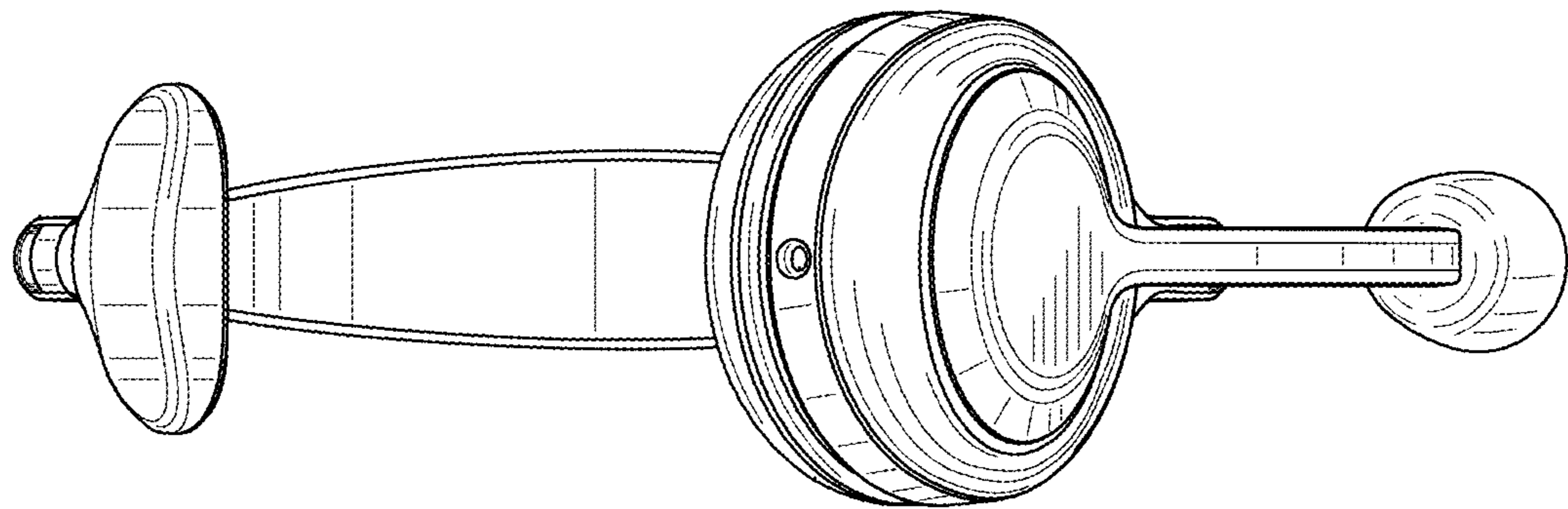


FIG. 6

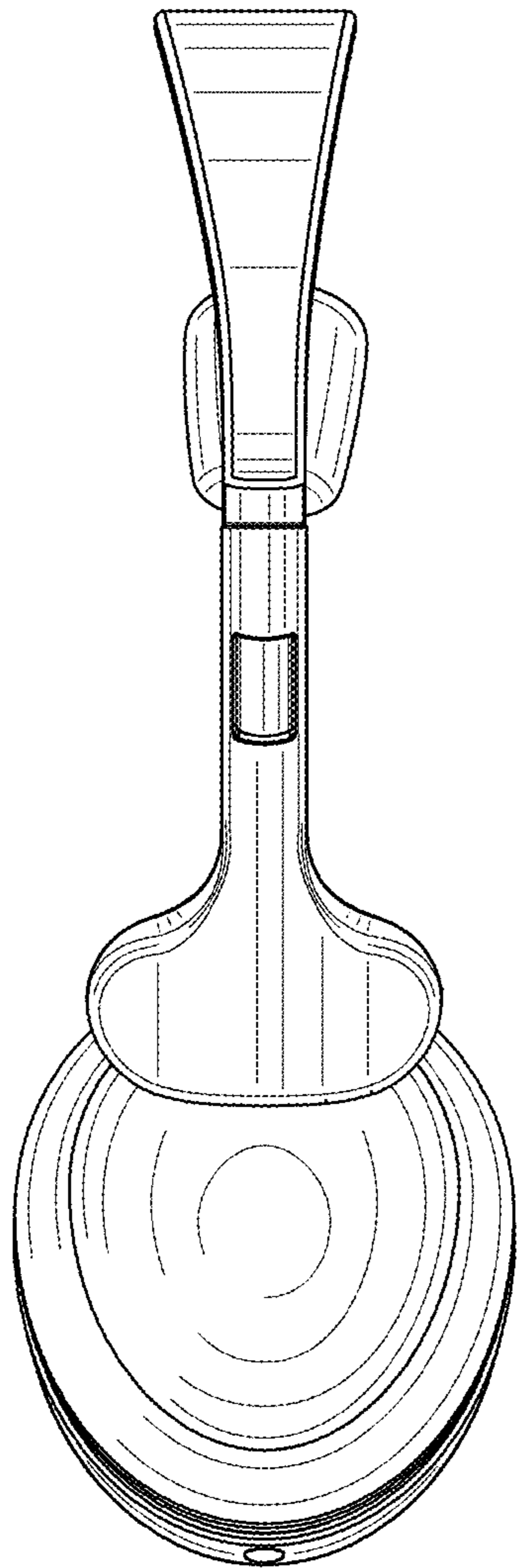


FIG. 7

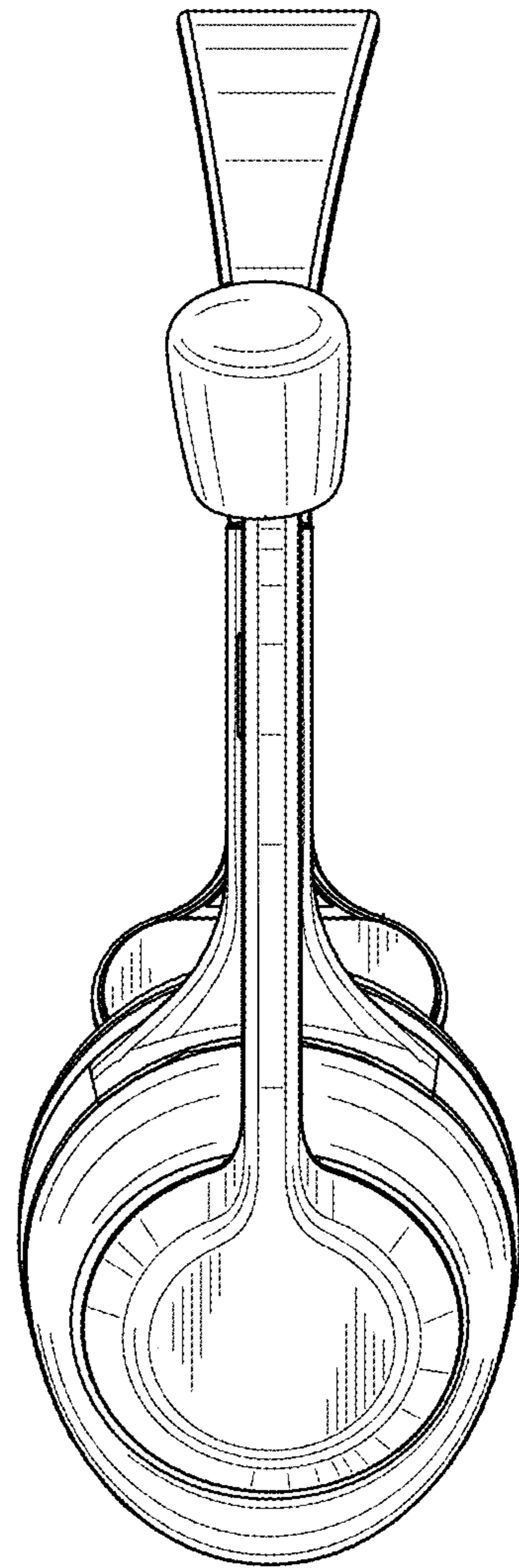


FIG. 8

