



US00D988287S

(12) **United States Design Patent** (10) **Patent No.:** **US D988,287 S**
Jenkins et al. (45) **Date of Patent:** **** Jun. 6, 2023**

(54) **SPEAKER SOUND BAR**
(71) Applicant: **VOXX INTERNATIONAL CORPORATION**, Hauppauge, NY (US)
(72) Inventors: **Todd Jenkins**, Sanford, FL (US); **Jonathan Reiblich**, Winter Springs, FL (US)
(73) Assignee: **VOXX INTERNATIONAL CORPORATION**, Hauppauge, NY (US)

D526,309 S * 8/2006 Ozawa D14/214
D562,801 S * 2/2008 Kim D14/211
D565,542 S * 4/2008 Han D14/211
D565,546 S * 4/2008 Han D14/214
D573,583 S * 7/2008 Omoda D14/258
D606,976 S * 12/2009 Privett D14/224
D606,977 S * 12/2009 Privett D14/224
D627,762 S * 11/2010 Chen D14/215
D638,820 S * 5/2011 Hotta D14/214
D675,189 S * 1/2013 Chen D14/210
8,568,182 B2 * 10/2013 Brug H01L 27/3251
445/24

(Continued)

Primary Examiner — Khawaja Anwar
Assistant Examiner — Megan Tiana Rakos
(74) *Attorney, Agent, or Firm* — Allen, Dyer, Doppelt + Gilchrist, P.A.

(**) Term: **15 Years**

(21) Appl. No.: **29/775,168**

(22) Filed: **Mar. 22, 2021**

(51) **LOC (14) Cl.** **14-01**

(52) **U.S. Cl.**
USPC **D14/204**

(58) **Field of Classification Search**
USPC D14/167, 168, 170–172, 188, 194–196, D14/203.1, 203.3, 204, 207, 209.1, D14/210–217, 219, 221, 222, 224, 224.1, D14/238, 299, 356, 365, 496; D16/202–208; 181/148, 199; 381/332–333, 336, 345
CPC . H04R 1/02; H04R 1/06; H04R 1/021; H04R 1/023; H04R 1/025; H04R 1/026; H04R 1/323; H04R 1/403; H04R 1/2803; H04R 1/2834; H04R 2201/021; H04R 2400/00; H04R 2499/11; H04R 5/00; H04R 5/02; H04R 9/06; H04R 2420/07
See application file for complete search history.

(56) **References Cited**

U.S. PATENT DOCUMENTS

D261,883 S * 11/1981 Russell D14/214
D442,164 S * 5/2001 Dunk D14/214

(57) **CLAIM**

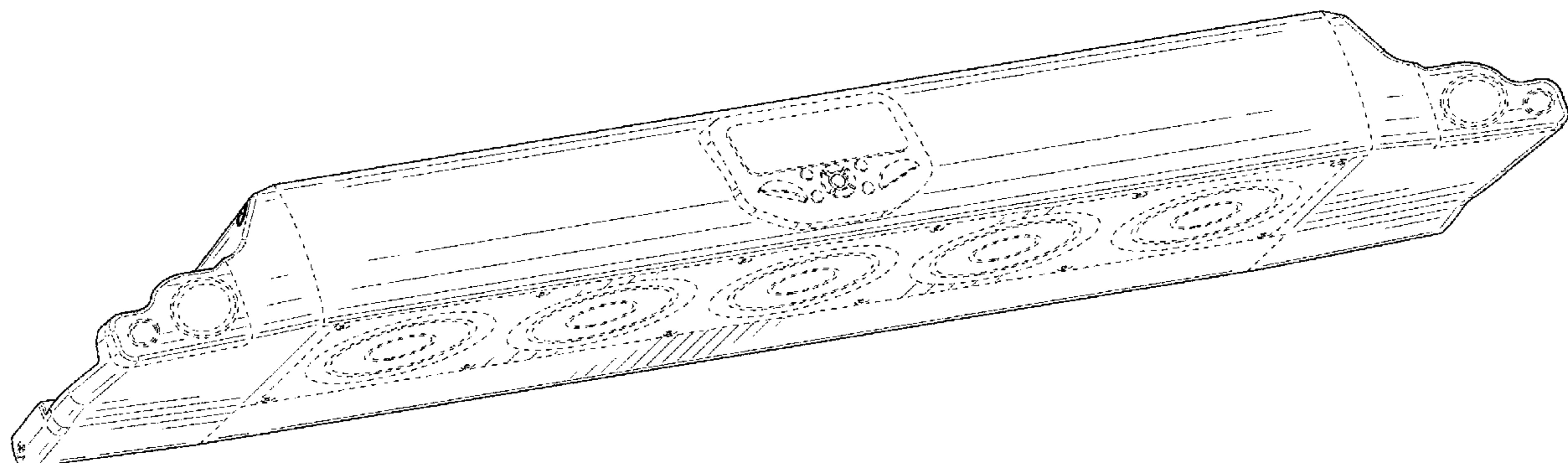
The ornamental design for a speaker sound bar, as shown and described.

DESCRIPTION

FIG. 1 is a perspective view of a speaker sound bar embodying our new design;
FIG. 2 is a front elevation view of the speaker sound bar of FIG. 1;
FIG. 3 is a rear elevation view of the speaker sound bar of FIG. 1;
FIG. 4 is a left side elevation view of the speaker sound bar of FIG. 1;
FIG. 5 is a right side elevation view of the speaker sound bar of FIG. 1;
FIG. 6 is a top plan view of the speaker sound bar of FIG. 1; and,
FIG. 7 is a bottom plan view of the speaker sound bar of FIG. 1.

The broken line illustration in the drawings is for illustrative purposes only and forms no part of the claimed design.

1 Claim, 4 Drawing Sheets



(56)

References Cited

U.S. PATENT DOCUMENTS

D756,961 S * 5/2016 White D14/215
D757,687 S * 5/2016 White D14/215
D766,876 S * 9/2016 Honda D14/214
9,469,254 B1 * 10/2016 White H04R 1/403
10,471,903 B1 11/2019 Jordan
10,486,613 B2 11/2019 White et al.
D870,074 S * 12/2019 Valeur D14/214
2019/0208298 A1 * 7/2019 Winton H04R 1/026

* cited by examiner

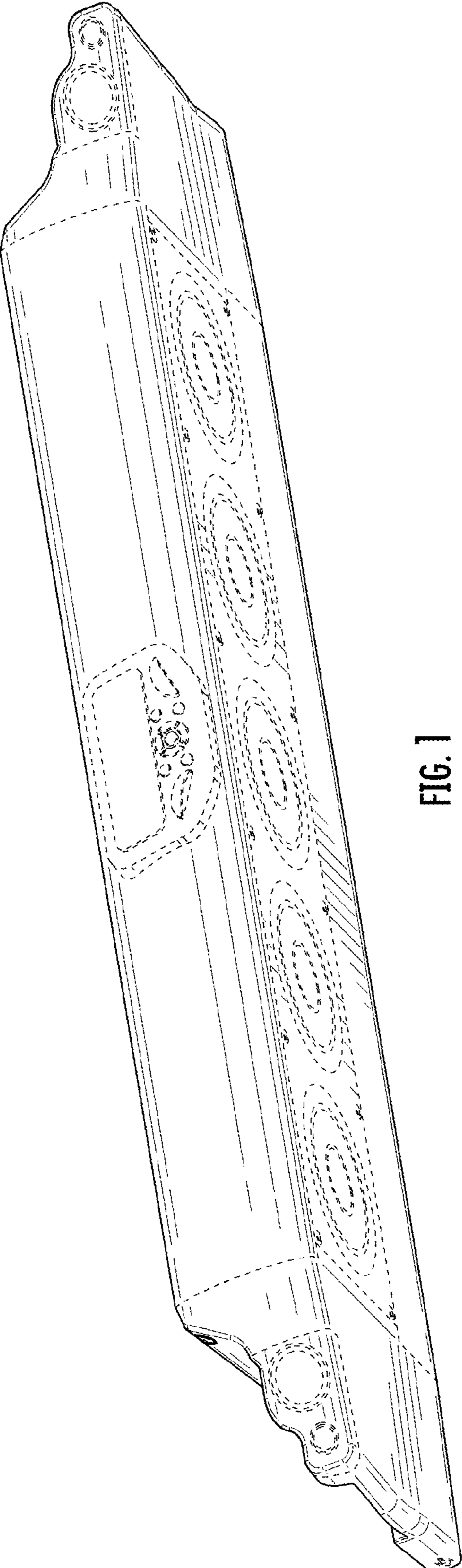


FIG. 1

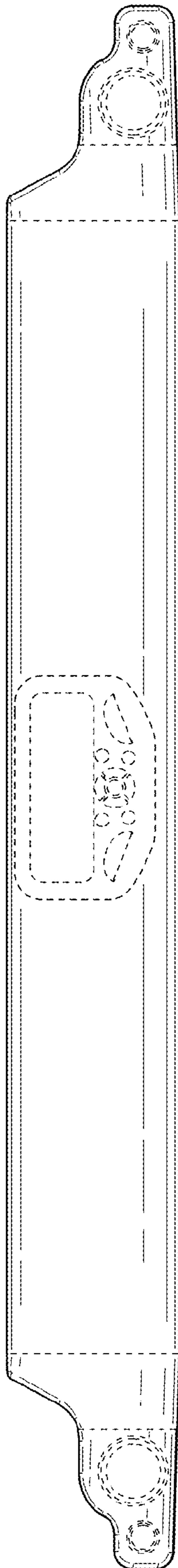


FIG. 2

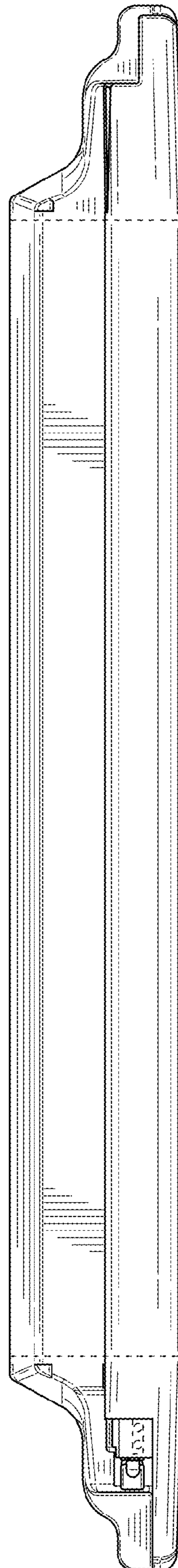


FIG. 3

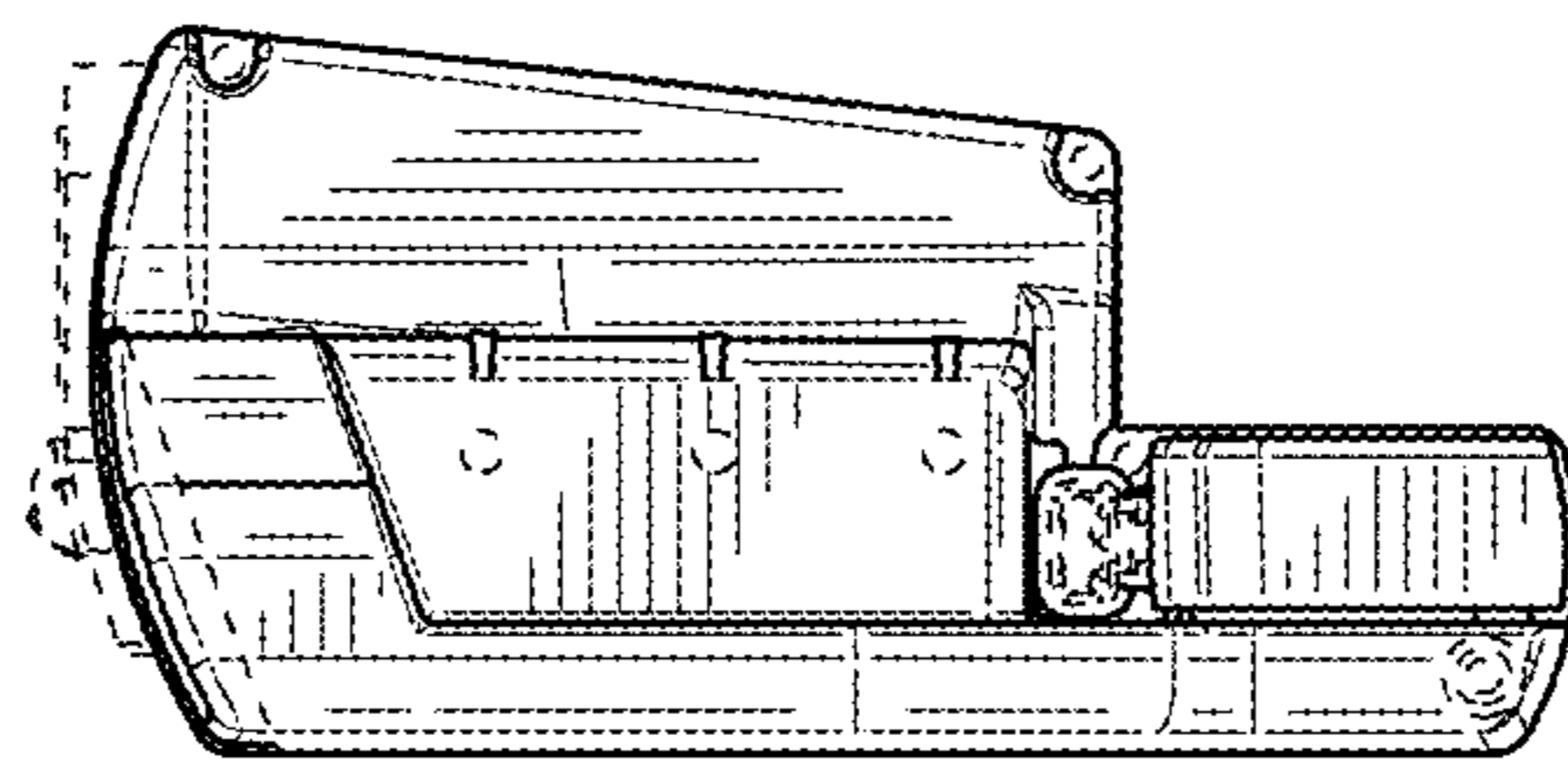


FIG. 4

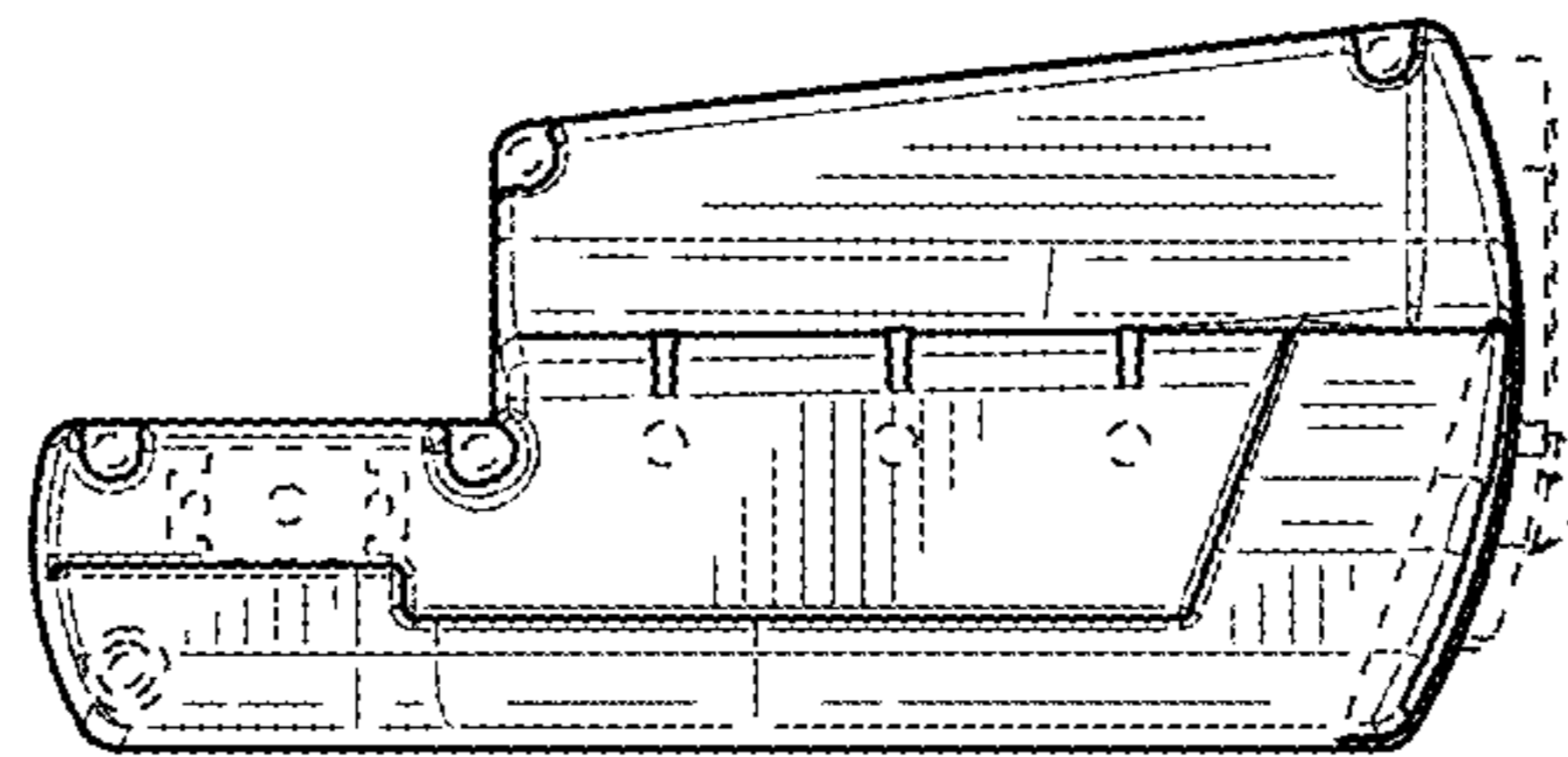


FIG. 5

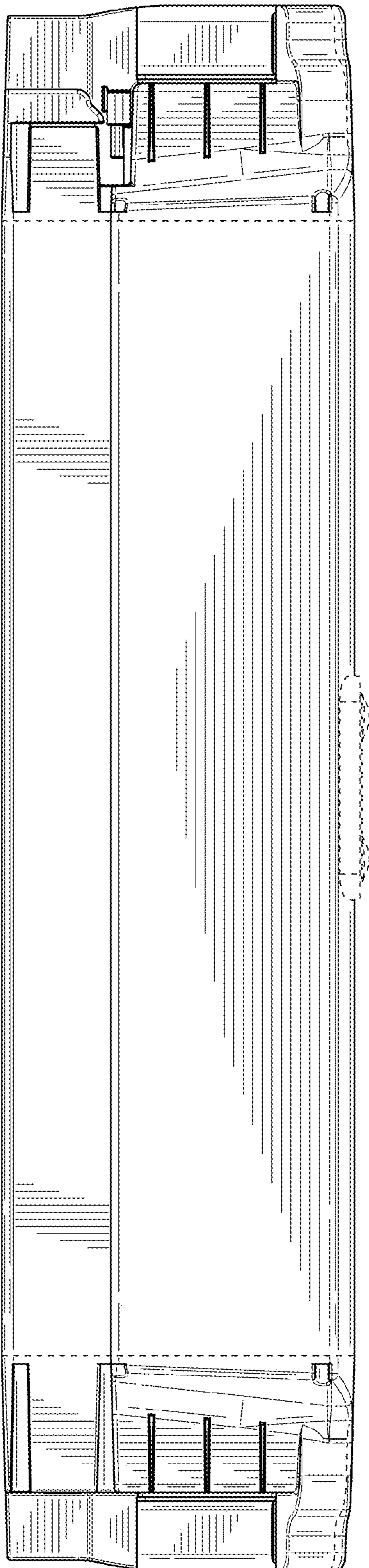


FIG. 6

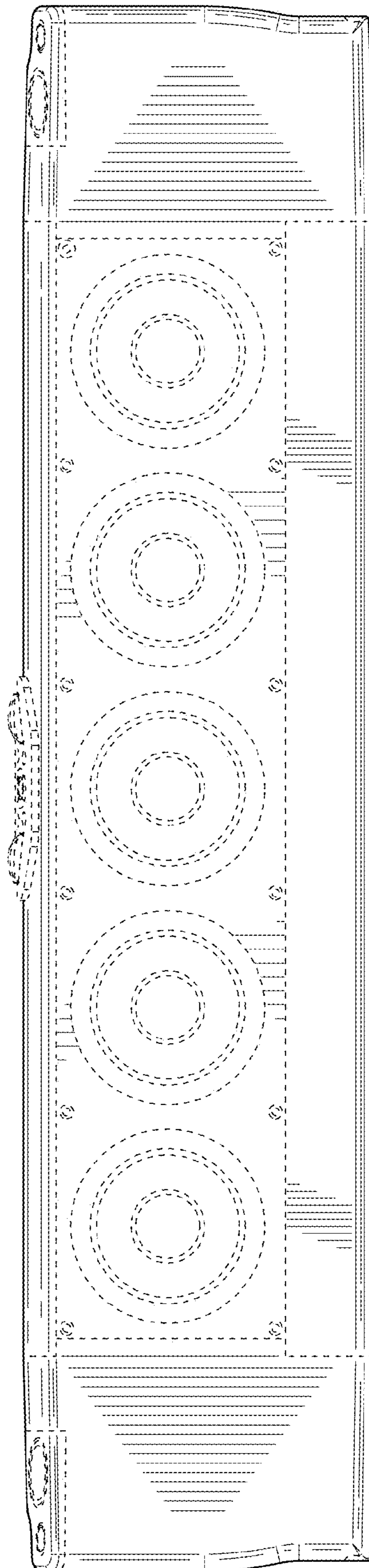


FIG. 7